



US00D419977S

United States Patent [19] Chuo

[11] **Patent Number: Des. 419,977**
[45] **Date of Patent: ** Feb. 1, 2000**

[54] **LIQUID CRYSTAL COMPUTER DISPLAY**

D. 403,669 1/1999 Ma D14/113

[75] Inventor: **Yu-Hsin Chuo**, Taipei, Taiwan

Primary Examiner—Freda Nunn
Attorney, Agent, or Firm—Bacon & Thomas

[73] Assignee: **Compal Electronics, Inc.**, Taipei, Taiwan

[**] Term: **14 Years**

[57] **CLAIM**

The ornamental design for a liquid crystal computer display, shown and described.

[21] Appl. No.: **29/099,818**

[22] Filed: **Jan. 27, 1999**

DESCRIPTION

[51] **LOC (7) Cl.** **14-02**

FIG. 1 is a perspective view showing our new design for a liquid crystal computer display;

[52] **U.S. Cl.** **D14/113; D14/126**

FIG. 2 is a front elevational view thereof;

[58] **Field of Search** D14/100, 101,

FIG. 3 is a rear elevational view thereof;

D14/113, 124-129; 345/104, 133, 156,

FIG. 4 is a left side elevational view thereof;

168, 87, 173; 348/180, 184, 325, 739; 248/917-924;

FIG. 5 is a right side elevational view thereof;

341/12; 349/1, 2, 11, 62

FIG. 6 is a top view thereof; and,

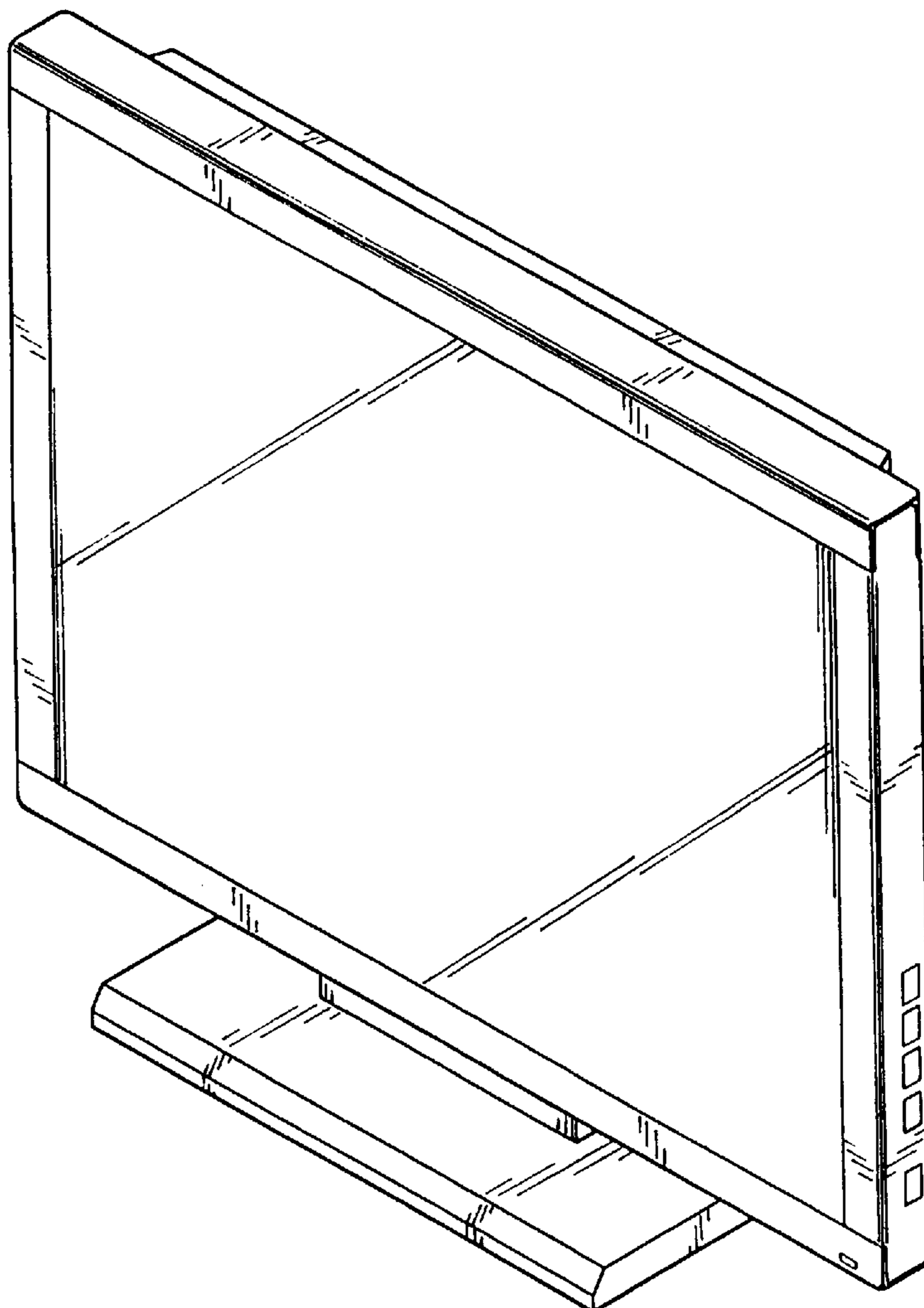
FIG. 7 is a bottom view thereof.

[56] **References Cited**

U.S. PATENT DOCUMENTS

D. 391,934 3/1998 Uehara et al. D14/113

1 Claim, 4 Drawing Sheets



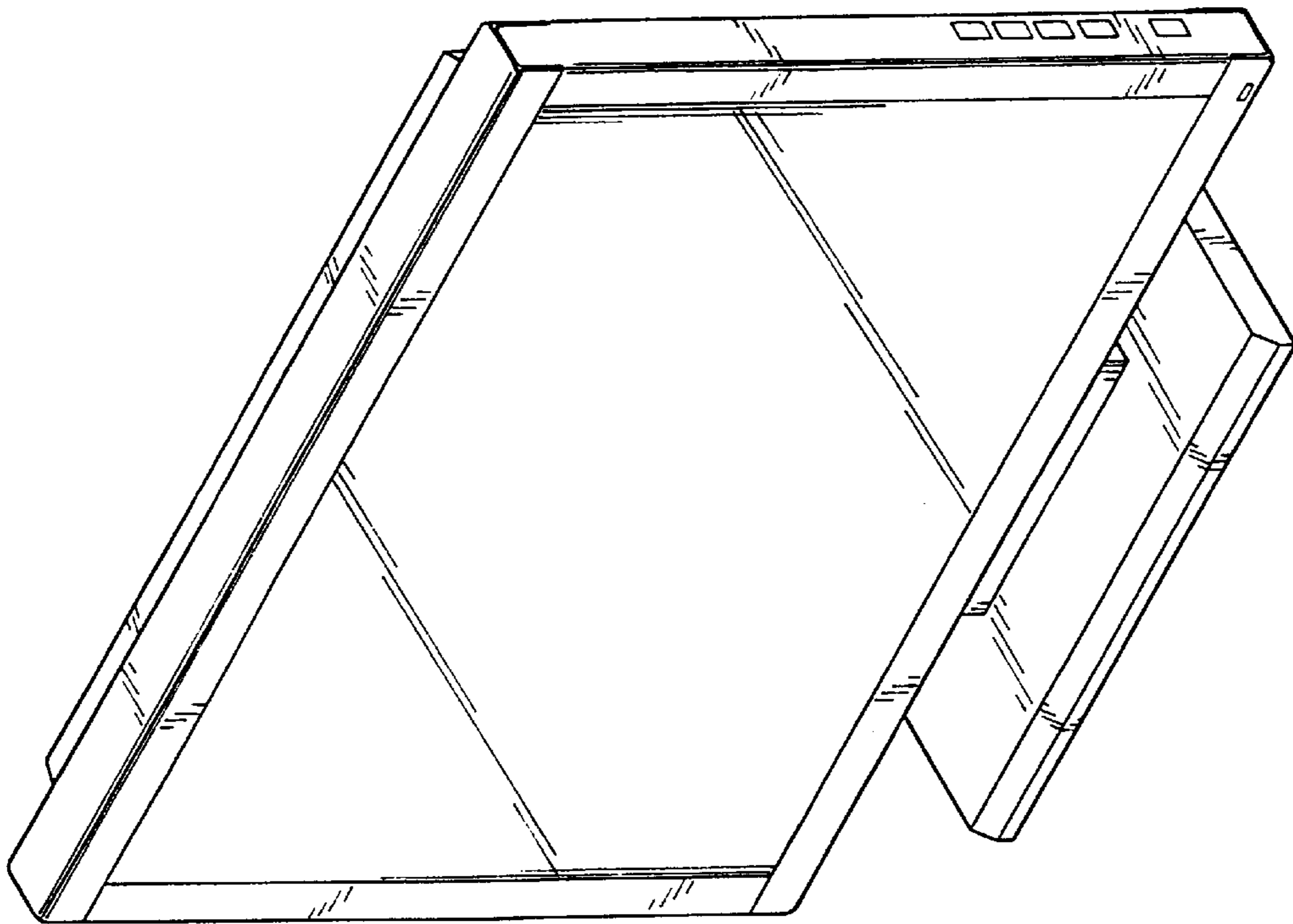


Fig.1

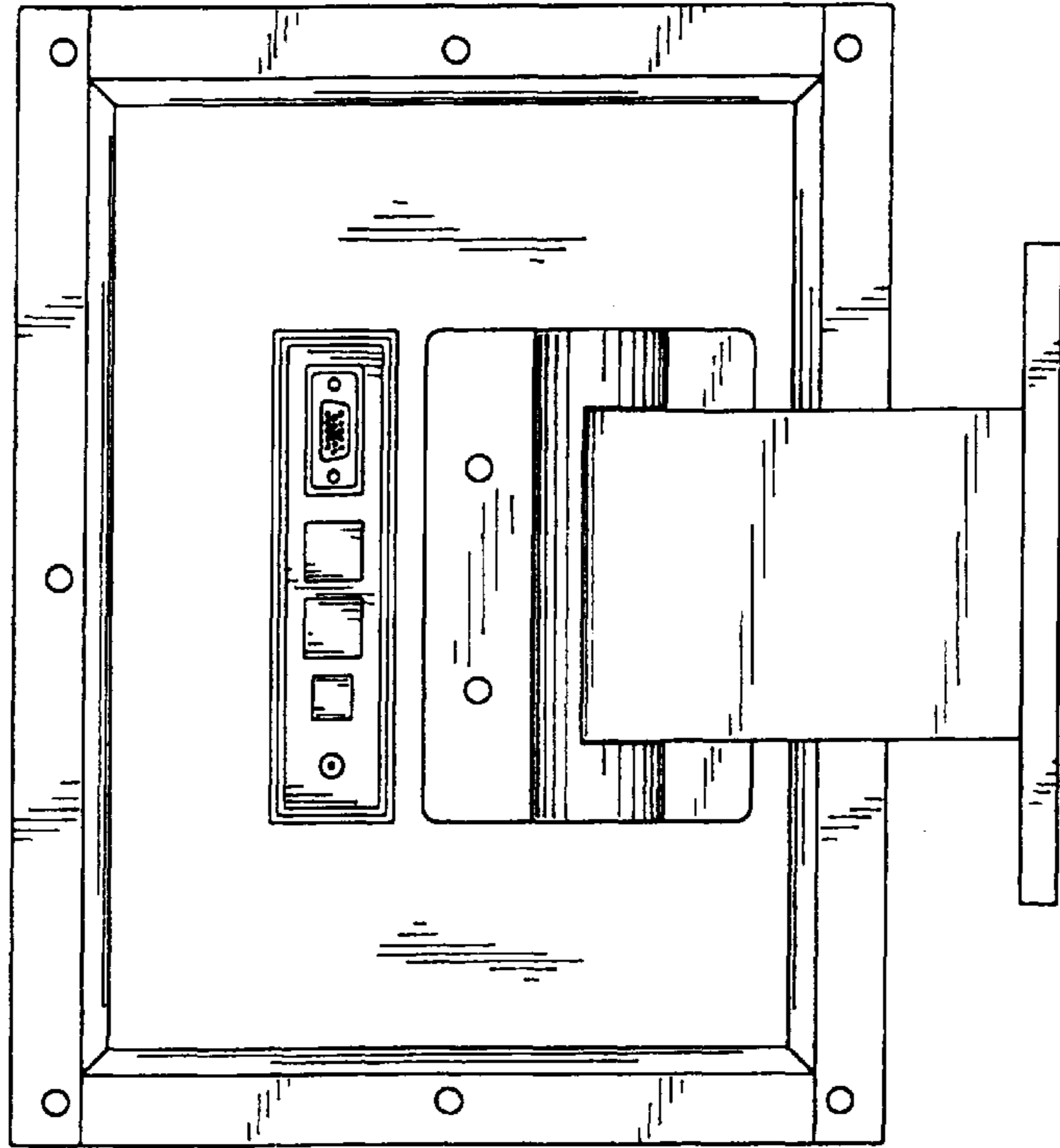


Fig.3

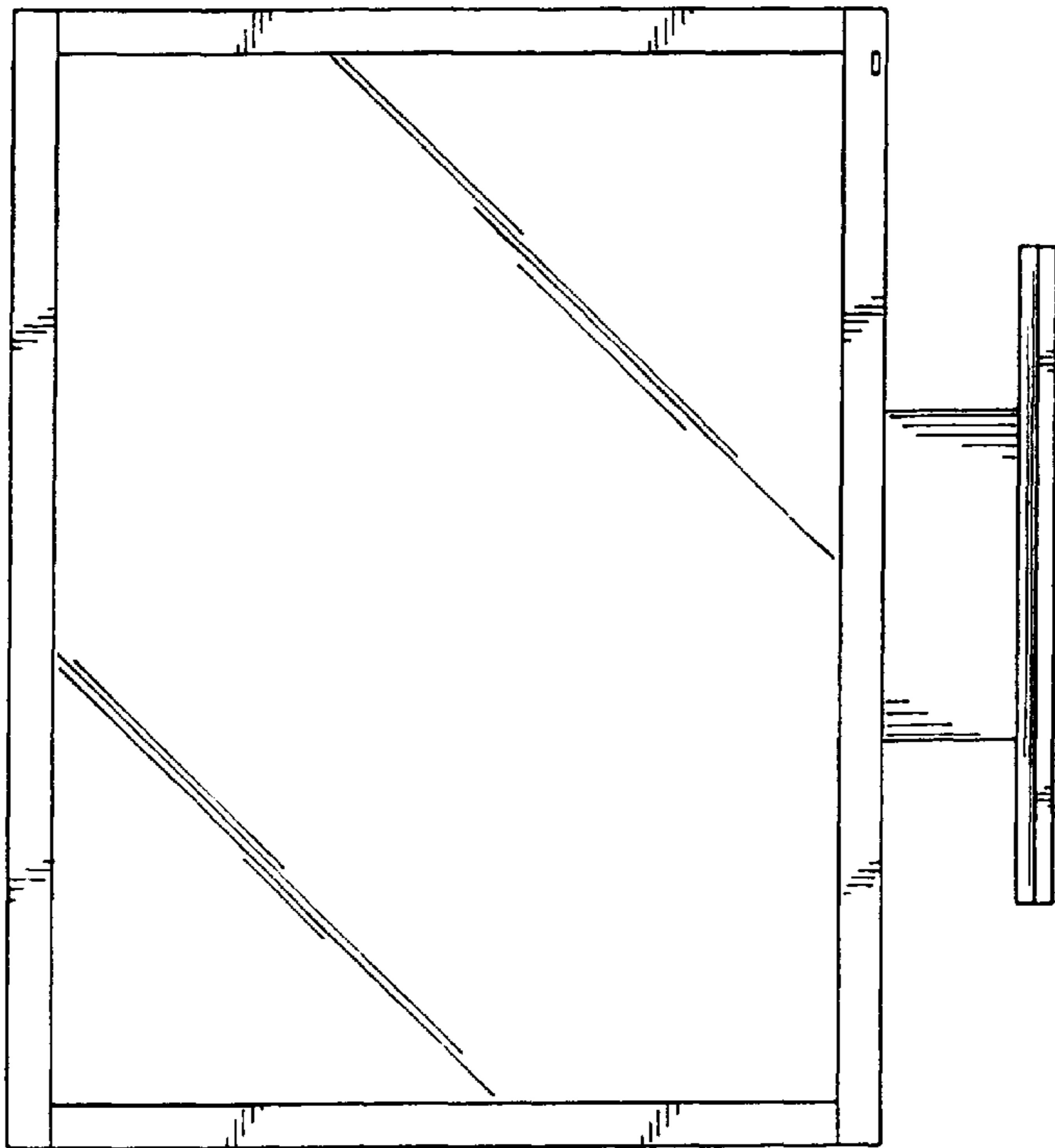


Fig.2

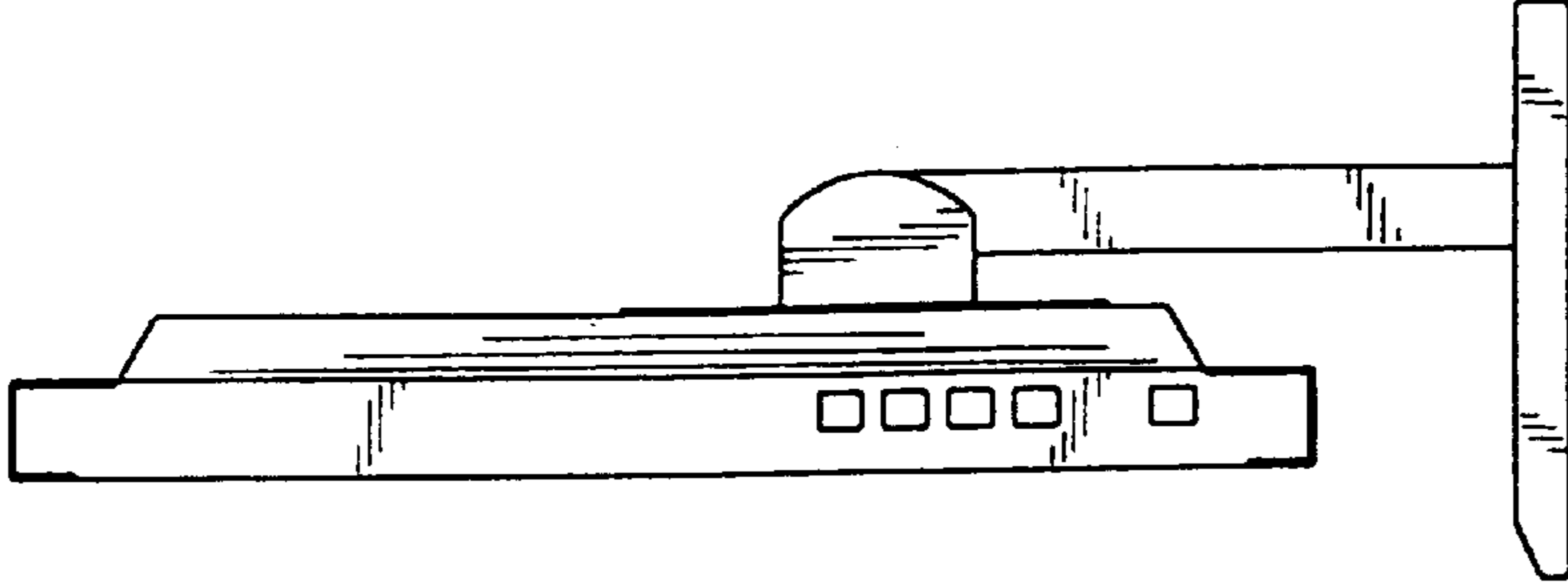


Fig. 5

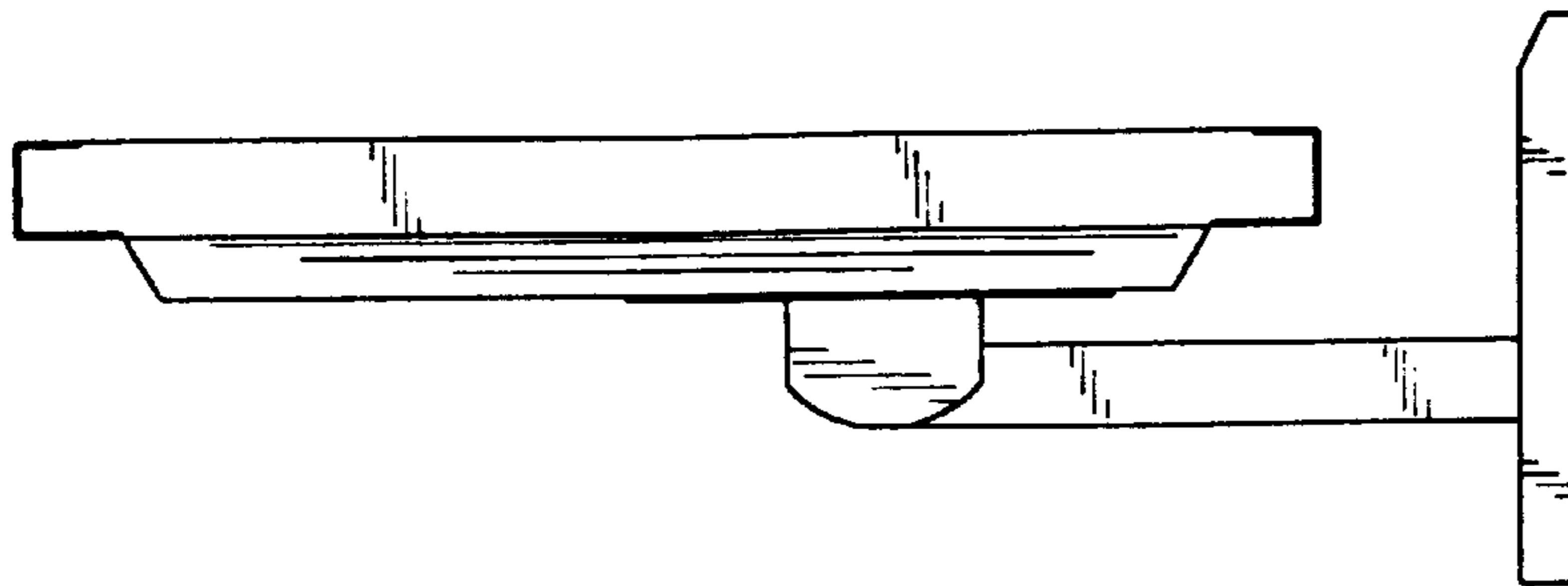


Fig. 4

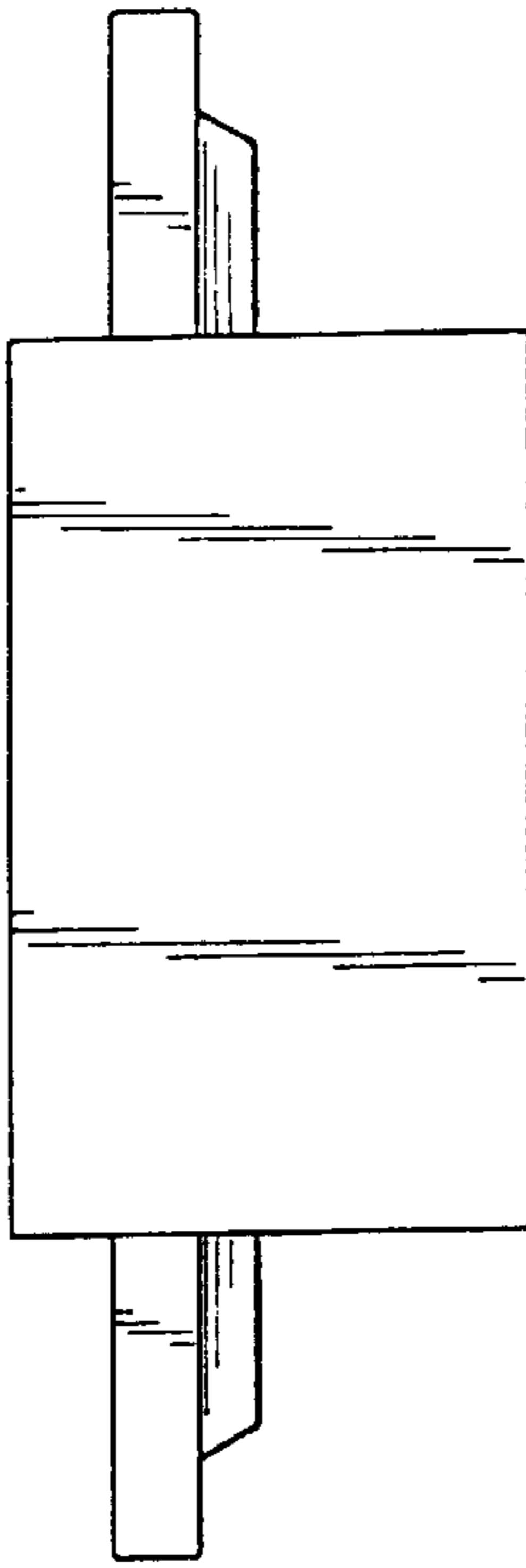


Fig. 7

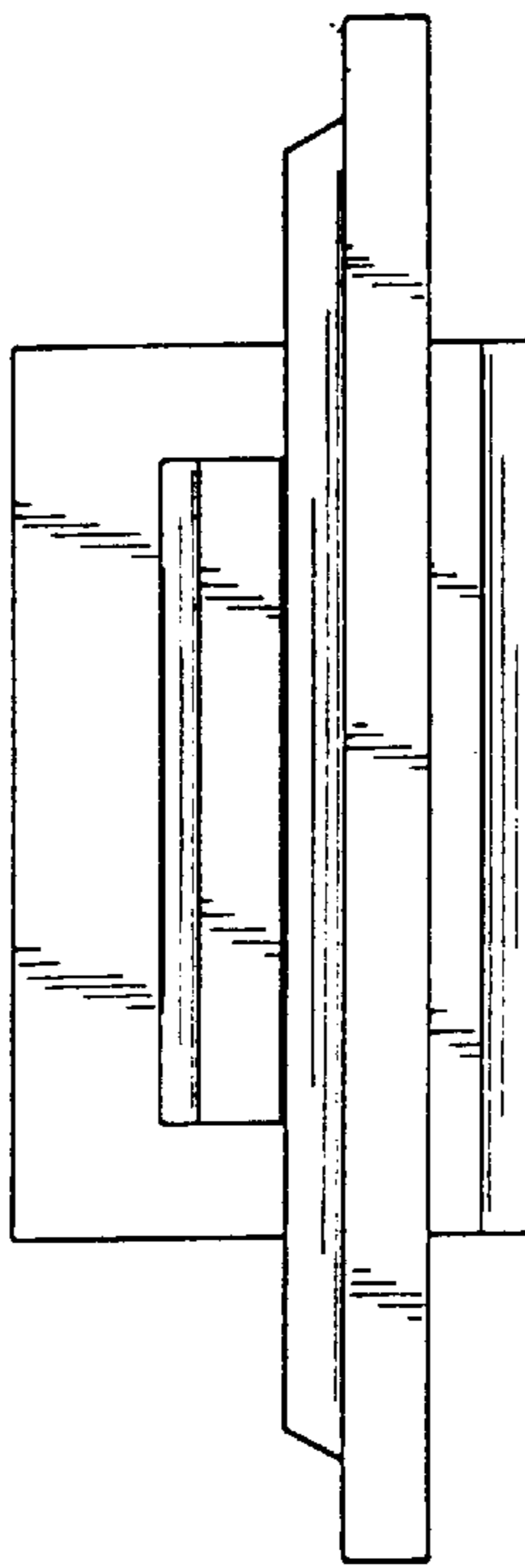


Fig. 6