



US00D419976S

United States Patent [19]

Lee

[11] **Patent Number: Des. 419,976**

[45] **Date of Patent: ** Feb. 1, 2000**

[54] **MONITOR**

D. 370,897	6/1996	Lin	D14/113
D. 390,544	2/1998	Kal	D14/113
D. 390,545	2/1998	Chang	D14/113

[75] Inventor: **Hyouk Soo Lee**, Seoul, Rep. of Korea

[73] Assignee: **Daewoo Electronics Co. Ltd.**, Rep. of Korea

Primary Examiner—Freda Nunn
Attorney, Agent, or Firm—Anderson Kill & Olick

[**] Term: **14 Years**

[57] CLAIM

[21] Appl. No.: **29/098,421**

The ornamental design for a monitor, as shown and described.

[22] Filed: **Dec. 23, 1998**

[30] Foreign Application Priority Data

DESCRIPTION

Aug. 28, 1998 [KR] Rep. of Korea 98-14467

FIG. 1 is a perspective view of a monitor showing my new design;

[51] **LOC (7) Cl.** **14-02**

FIG. 2 is a top plan view thereof;

[52] **U.S. Cl.** **D14/113; D14/126**

FIG. 3 is a bottom plan view thereof;

[58] **Field of Search** D14/100, 106,
D14/113, 126, 127, 128, 129; 248/918-924;
341/12; 345/104, 133, 156, 168, 173; 348/180,
184, 325, 739; 349/1, 2, 11, 62

FIG. 4 is a front elevational view thereof;

FIG. 5 is a rear elevational view thereof;

FIG. 6 is a left side elevational view thereof; and,

FIG. 7 is a right side elevational view thereof.

[56] References Cited

U.S. PATENT DOCUMENTS

D. 310,829 9/1990 Suyama et al. D14/113

1 Claim, 4 Drawing Sheets

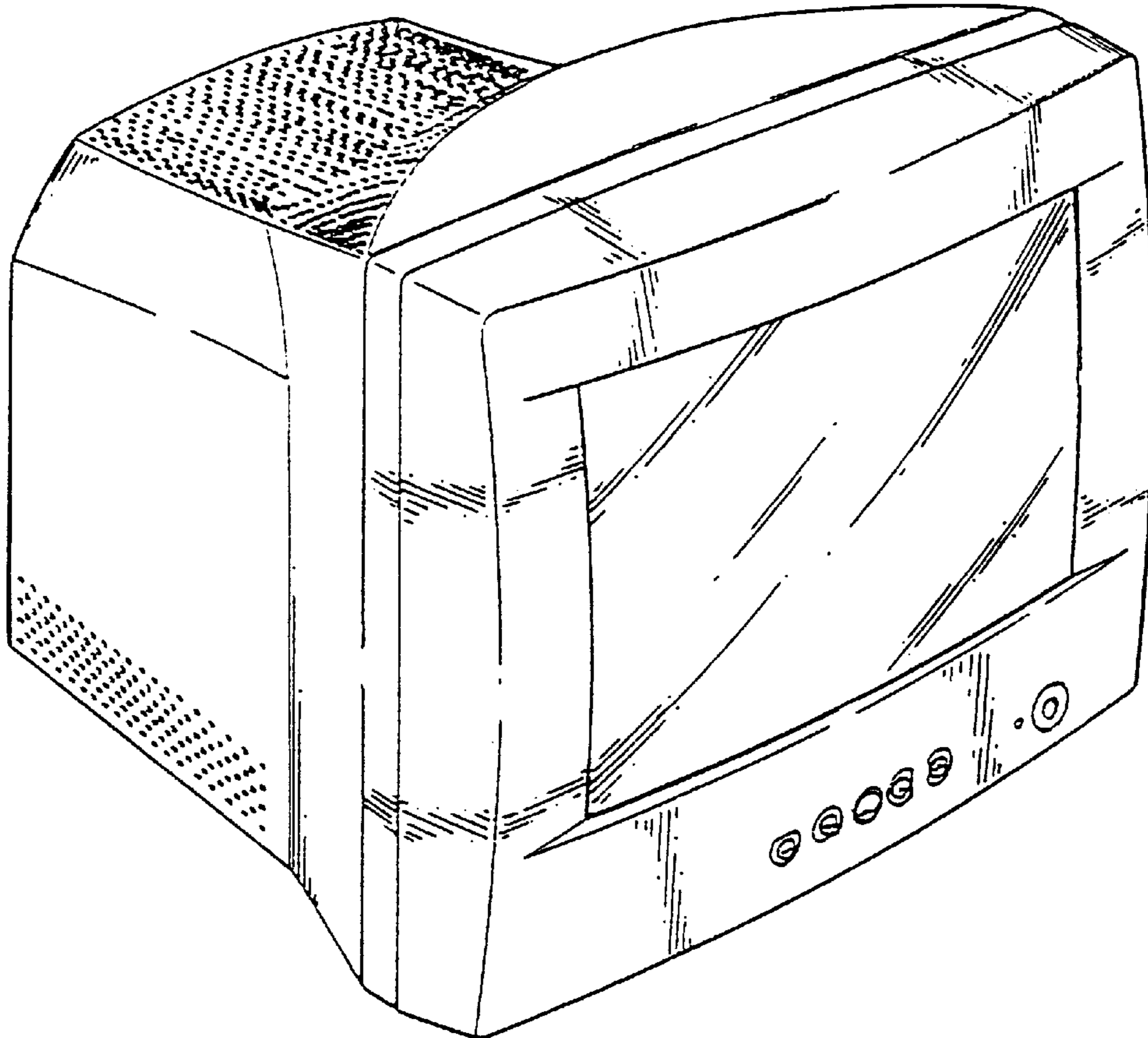


FIG. 1

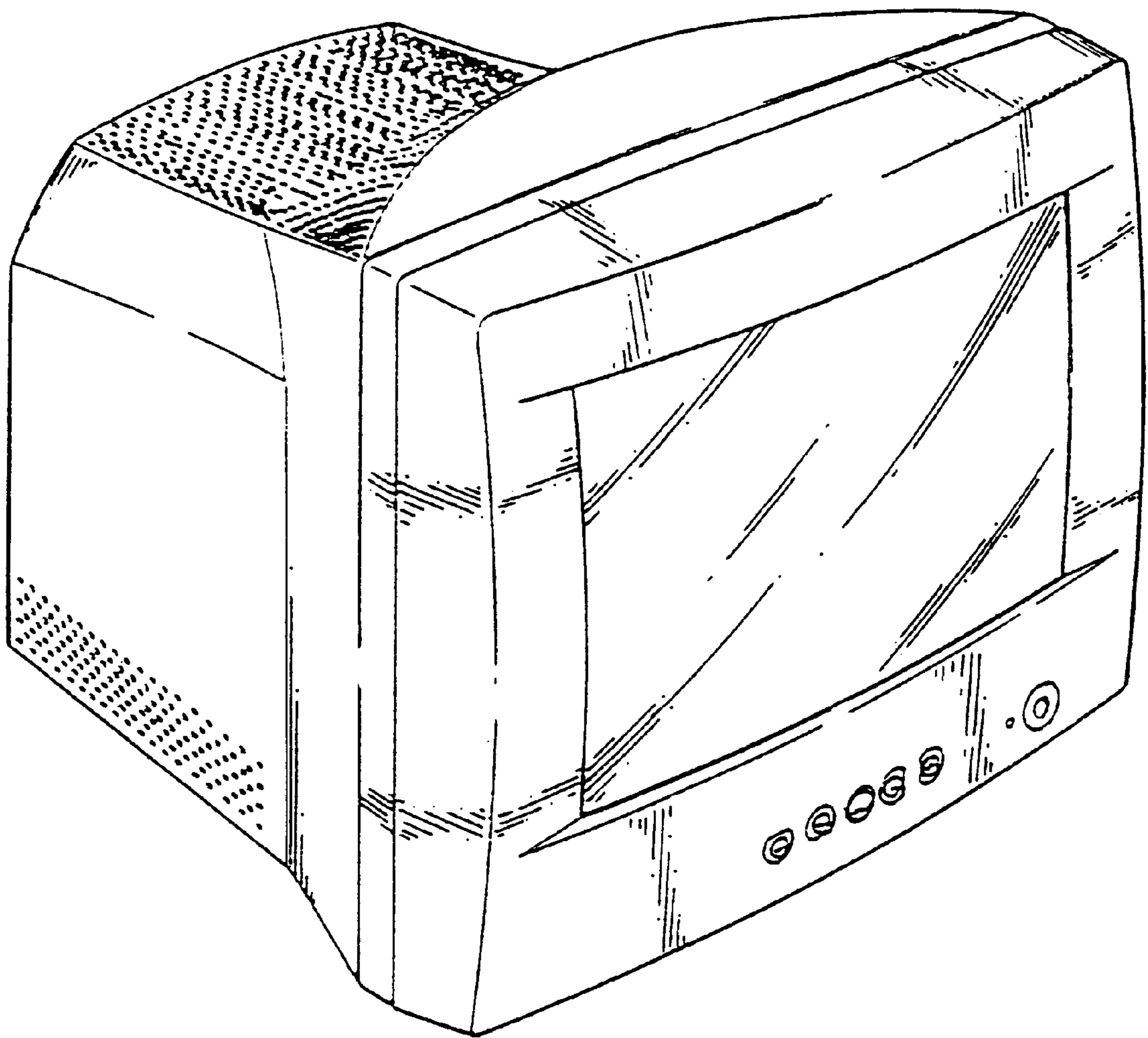


FIG. 2

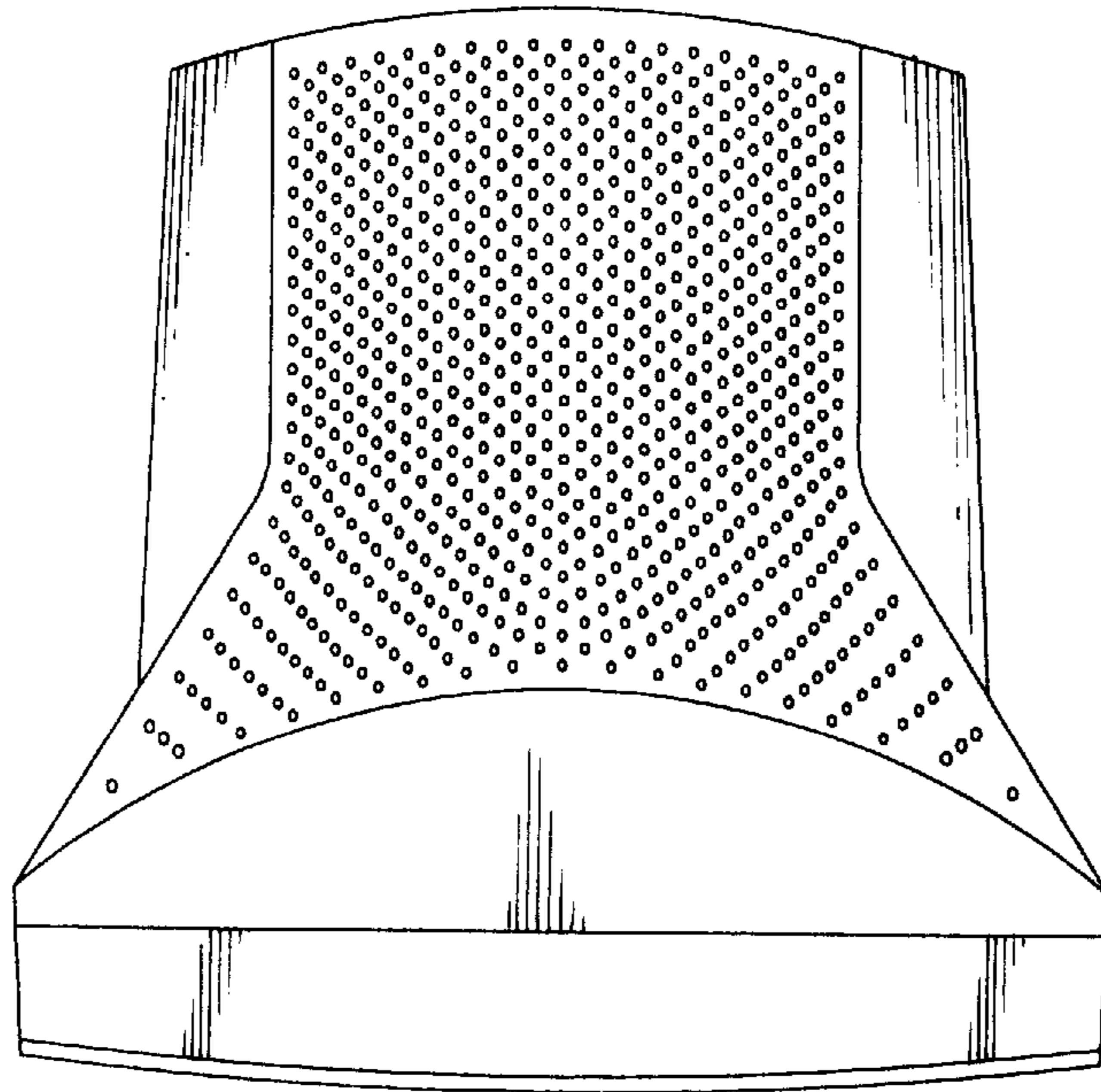


FIG. 3

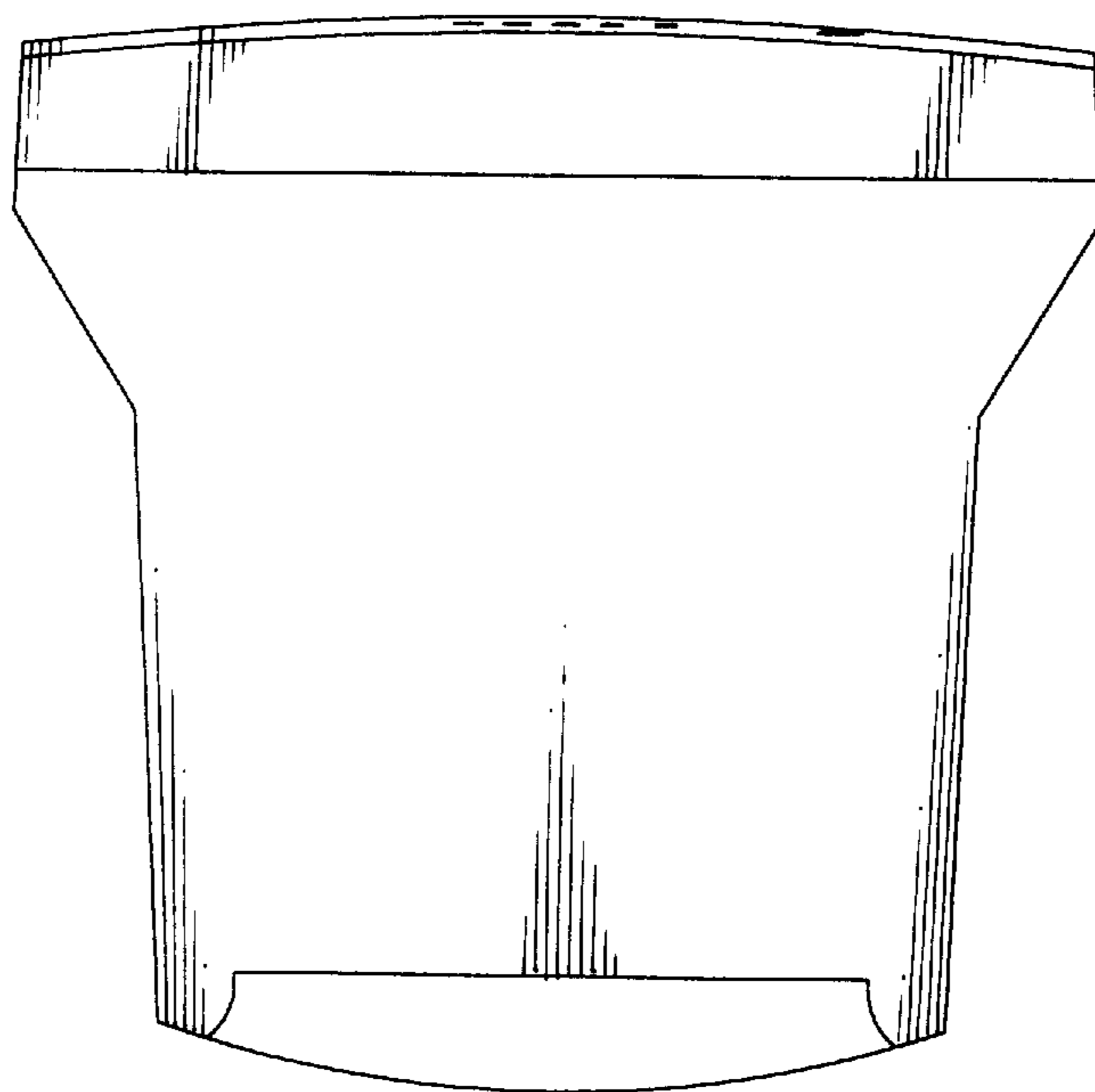


FIG. 4

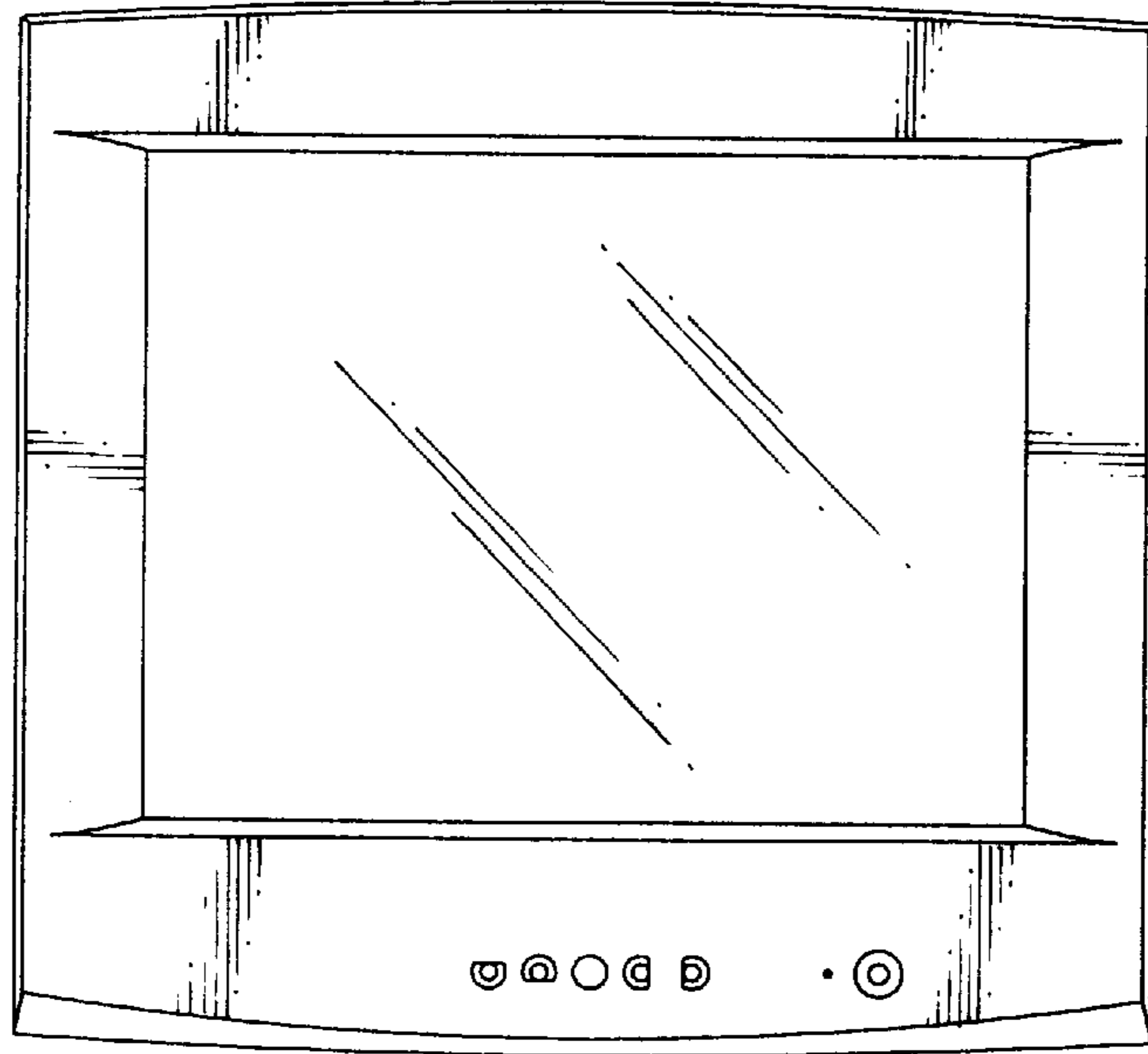


FIG. 5

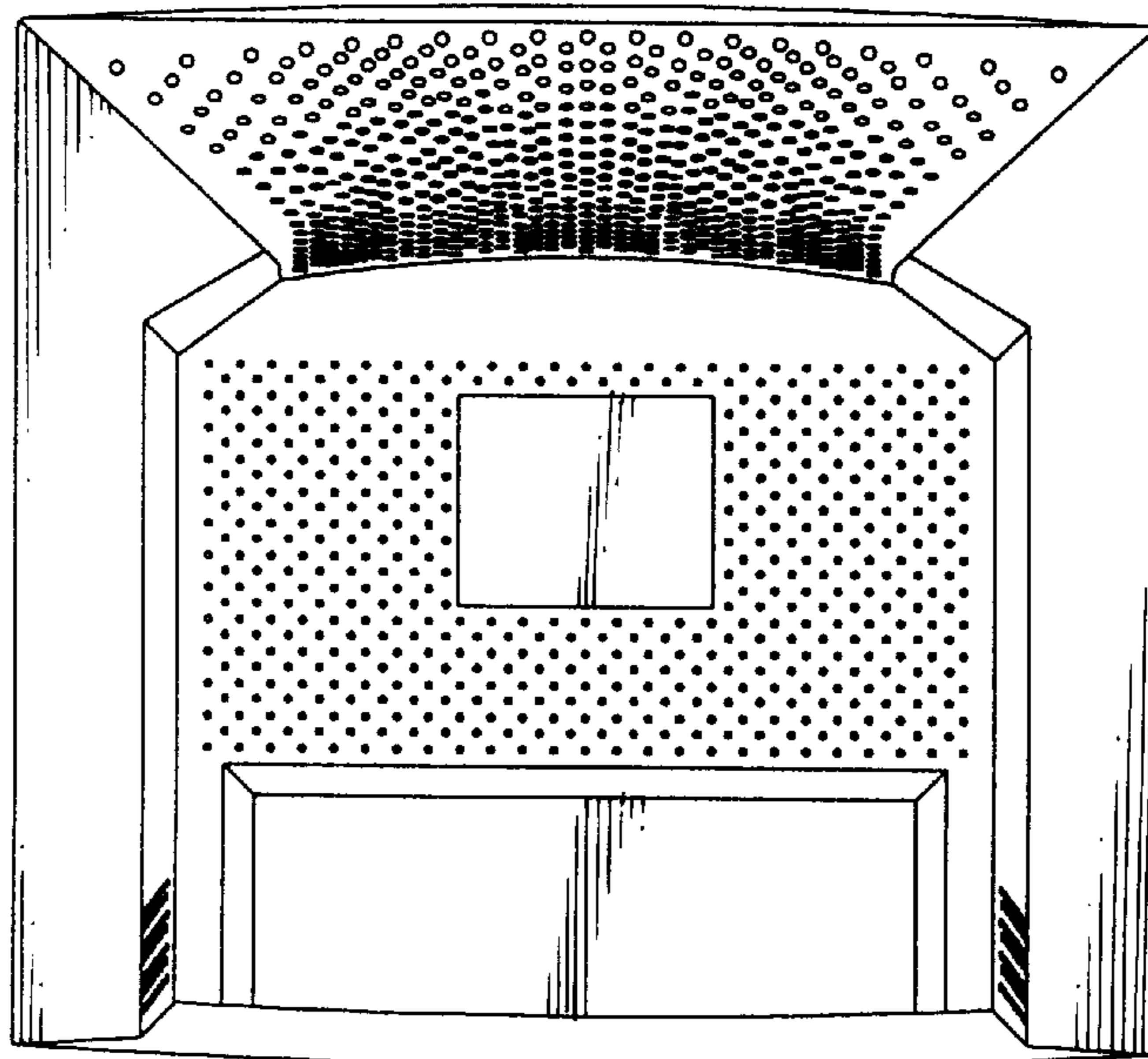


FIG. 6

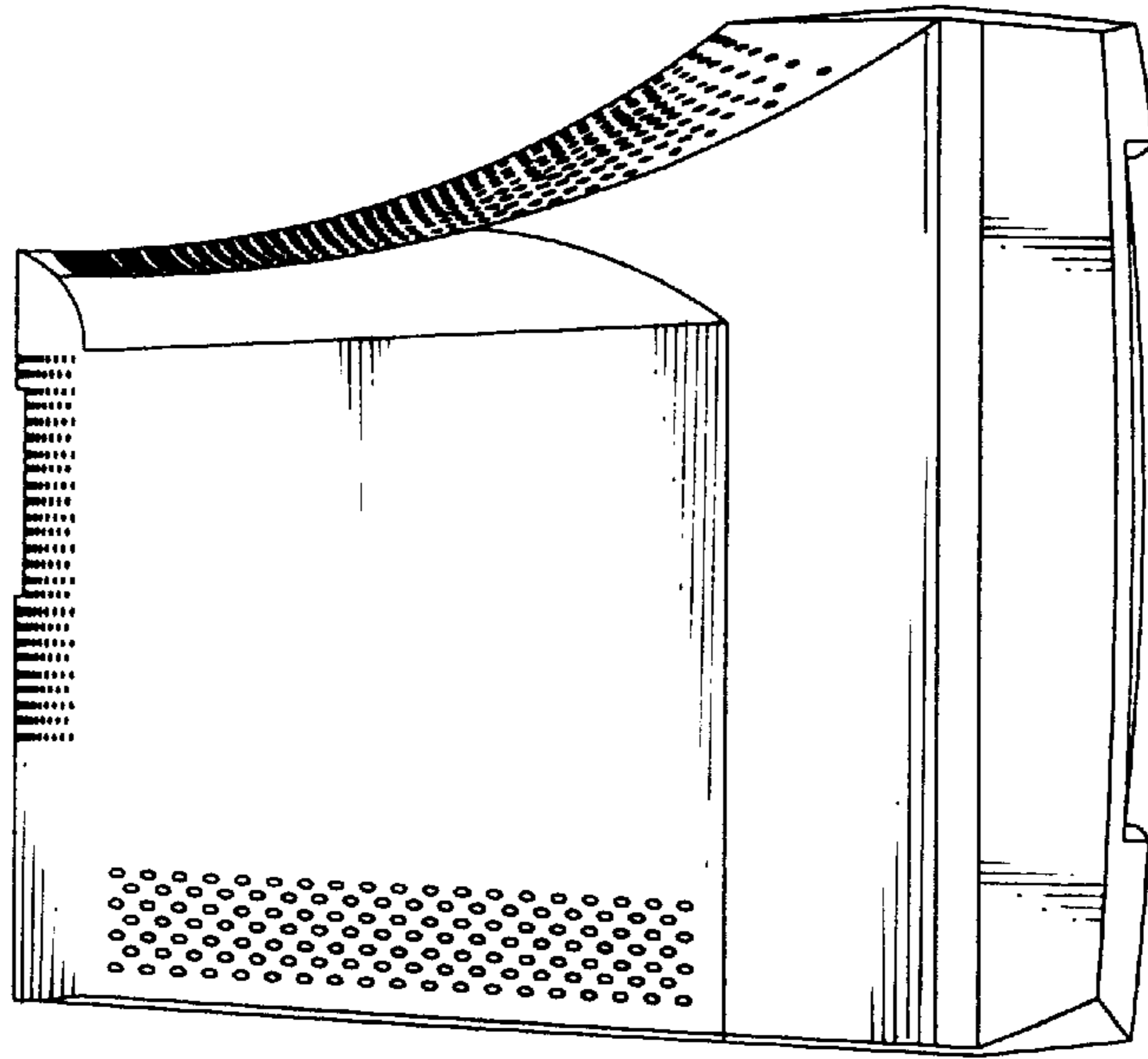


FIG. 7

