



US00D419975S

# United States Patent [19]

Lee

[11] **Patent Number: Des. 419,975**

[45] **Date of Patent: \*\* Feb. 1, 2000**

[54] **MONITOR**

D. 370,897	6/1996	Lin	.....	D14/113
D. 390,544	2/1998	Kao	.....	D14/113
D. 390,545	2/1998	Chang	.....	D14/113

[75] Inventor: **Eun Mi Lee**, Seoul, Rep. of Korea

[73] Assignee: **Daewoo Electronics Co. Ltd.**, Rep. of Korea

*Primary Examiner*—Freda Nunn  
*Attorney, Agent, or Firm*—Anderson Kill & Olick

[\*\*] Term: **14 Years**

### [57] CLAIM

[21] Appl. No.: **29/098,418**

The ornamental design for a monitor, as shown and described.

[22] Filed: **Dec. 23, 1998**

### [30] Foreign Application Priority Data

### DESCRIPTION

Aug. 28, 1998 [KR] Rep. of Korea ..... 98-14466

FIG. 1 is a perspective view of a monitor showing my new design;

[51] **LOC (7) Cl.** ..... **14-02**

FIG. 2 is a front elevational view thereof;

[52] **U.S. Cl.** ..... **D14/113; D14/126**

FIG. 3 is a rear elevational view thereof;

[58] **Field of Search** ..... D14/100, 106,  
D14/113, 126, 127, 128, 129; 248/918-924;  
341/12; 345/104, 133, 156, 168, 173; 348/180,  
184, 325, 739; 349/1, 2, 11, 62

FIG. 4 is a top plan view thereof;

FIG. 5 is a bottom plan view thereof;

FIG. 6 is a right side elevational view thereof; and,

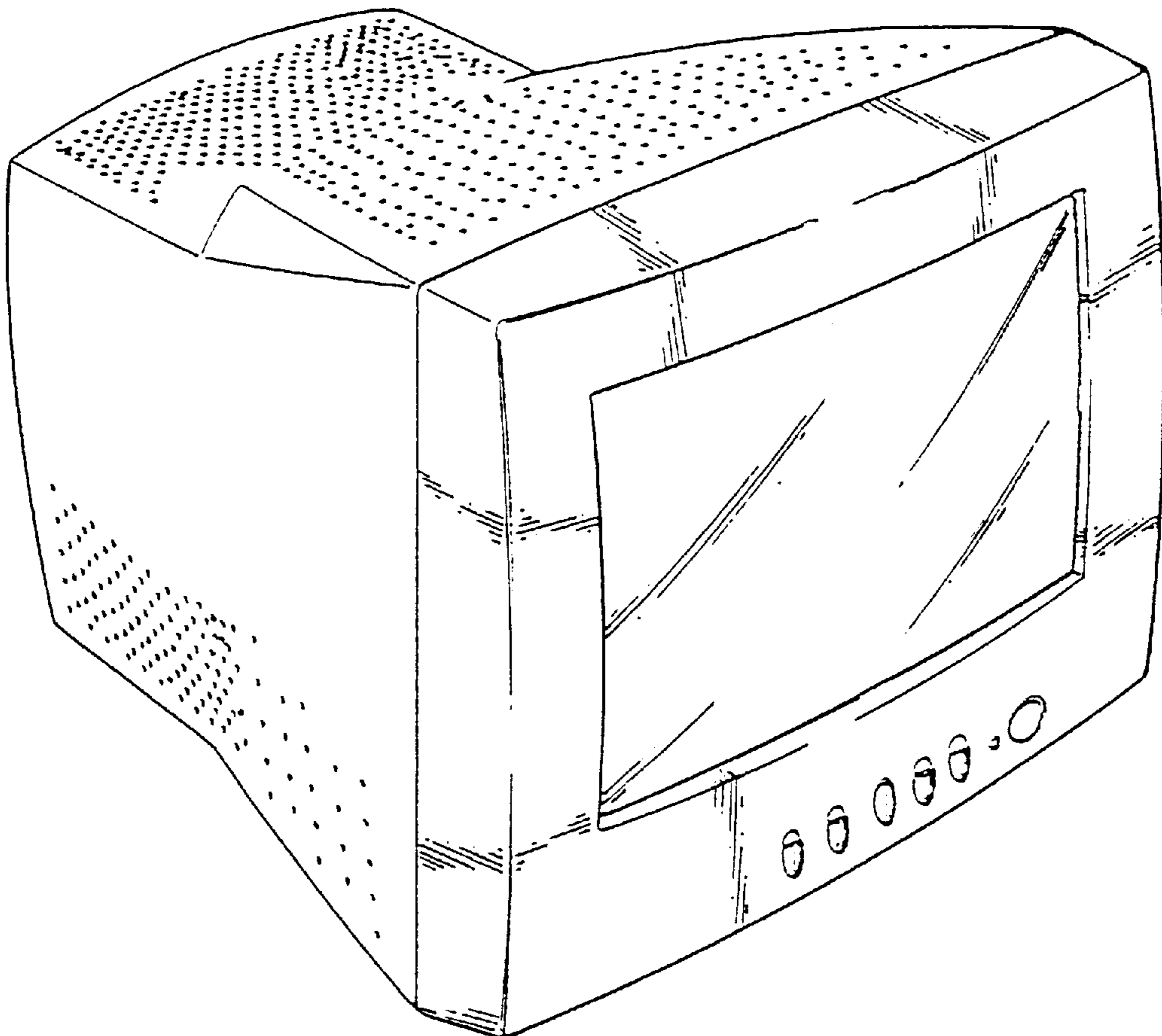
FIG. 7 is a left side elevational view thereof.

### [56] References Cited

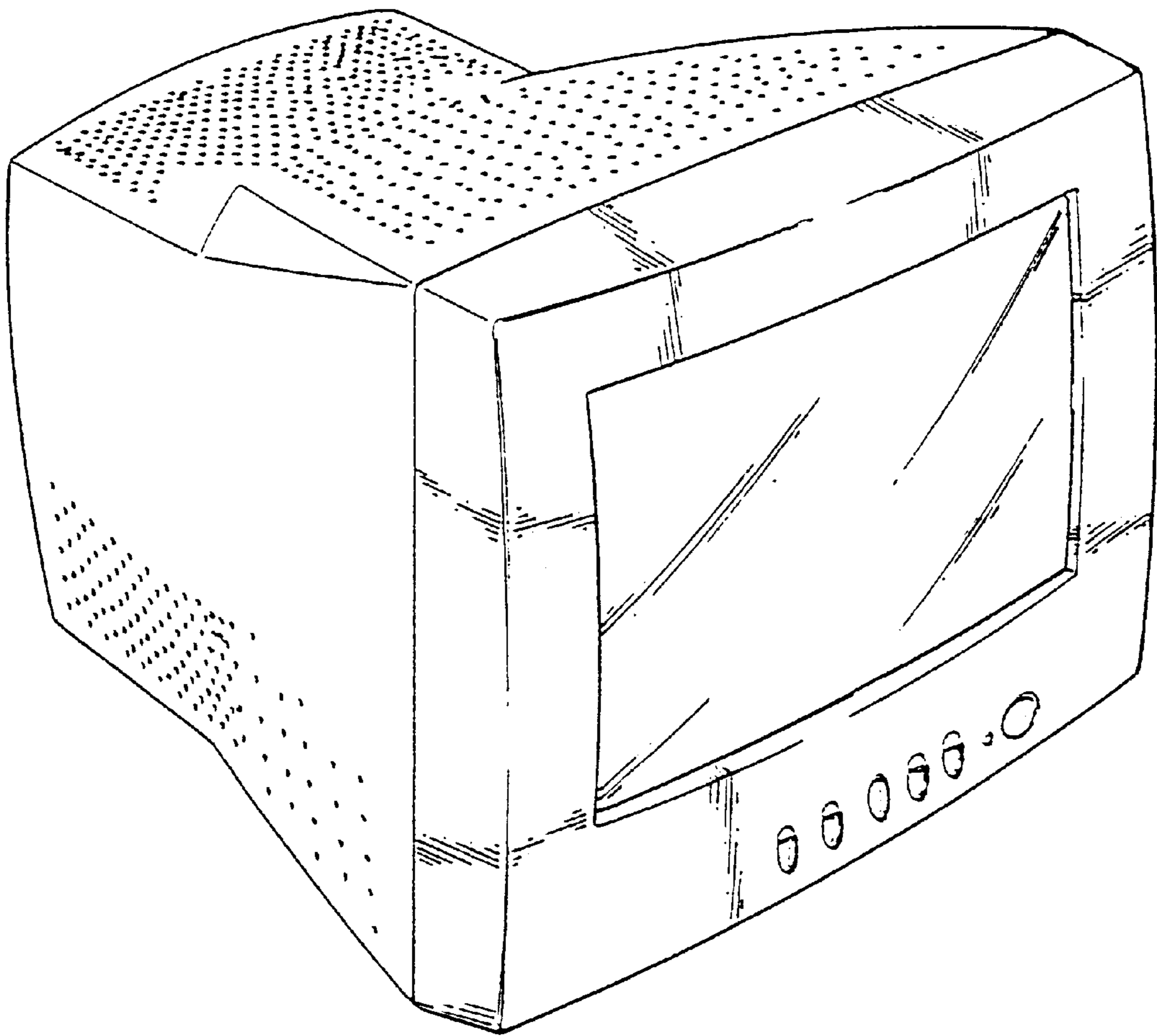
#### U.S. PATENT DOCUMENTS

D. 310,829 9/1990 Suyama et al. .... D14/113

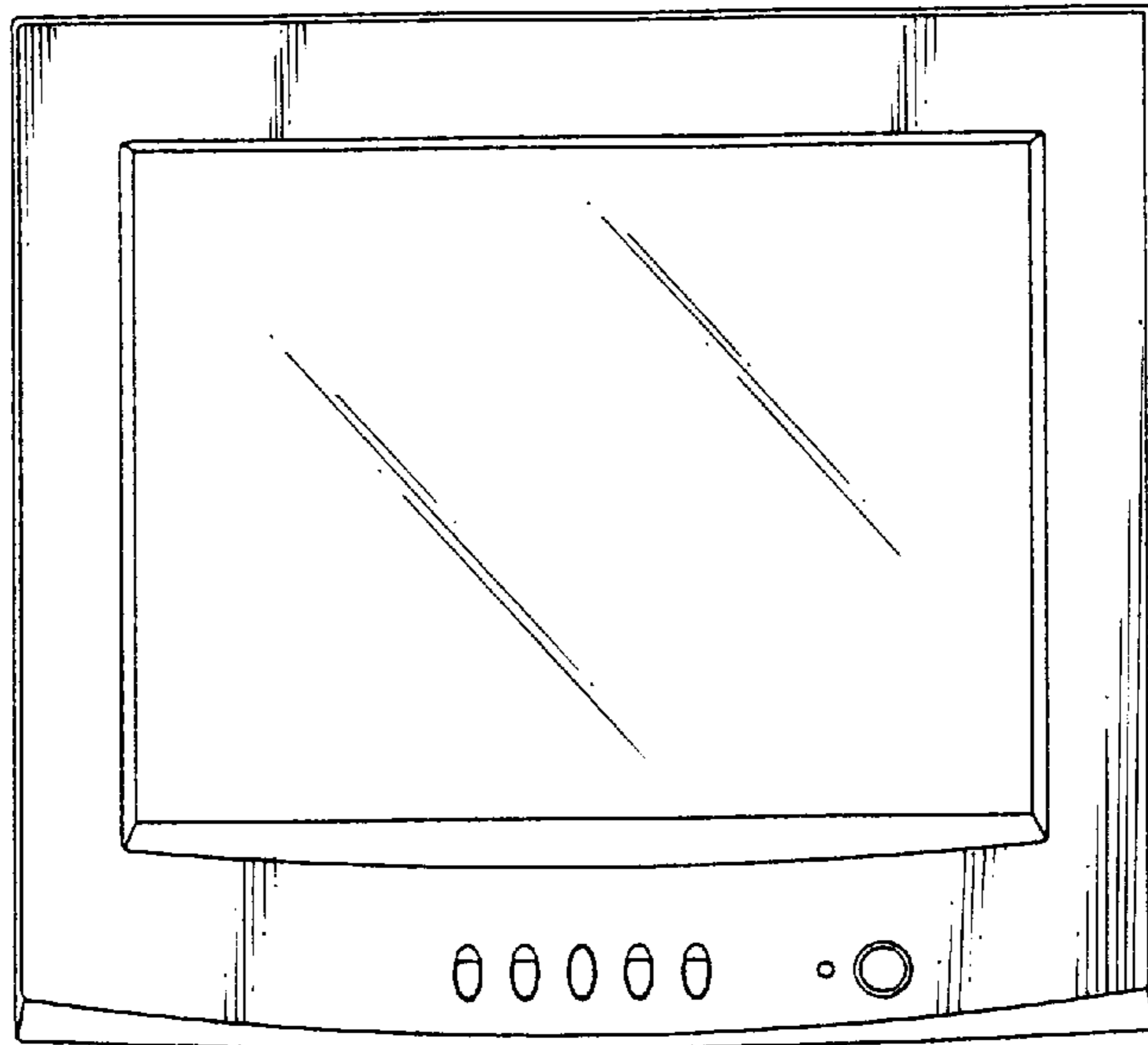
**1 Claim, 4 Drawing Sheets**



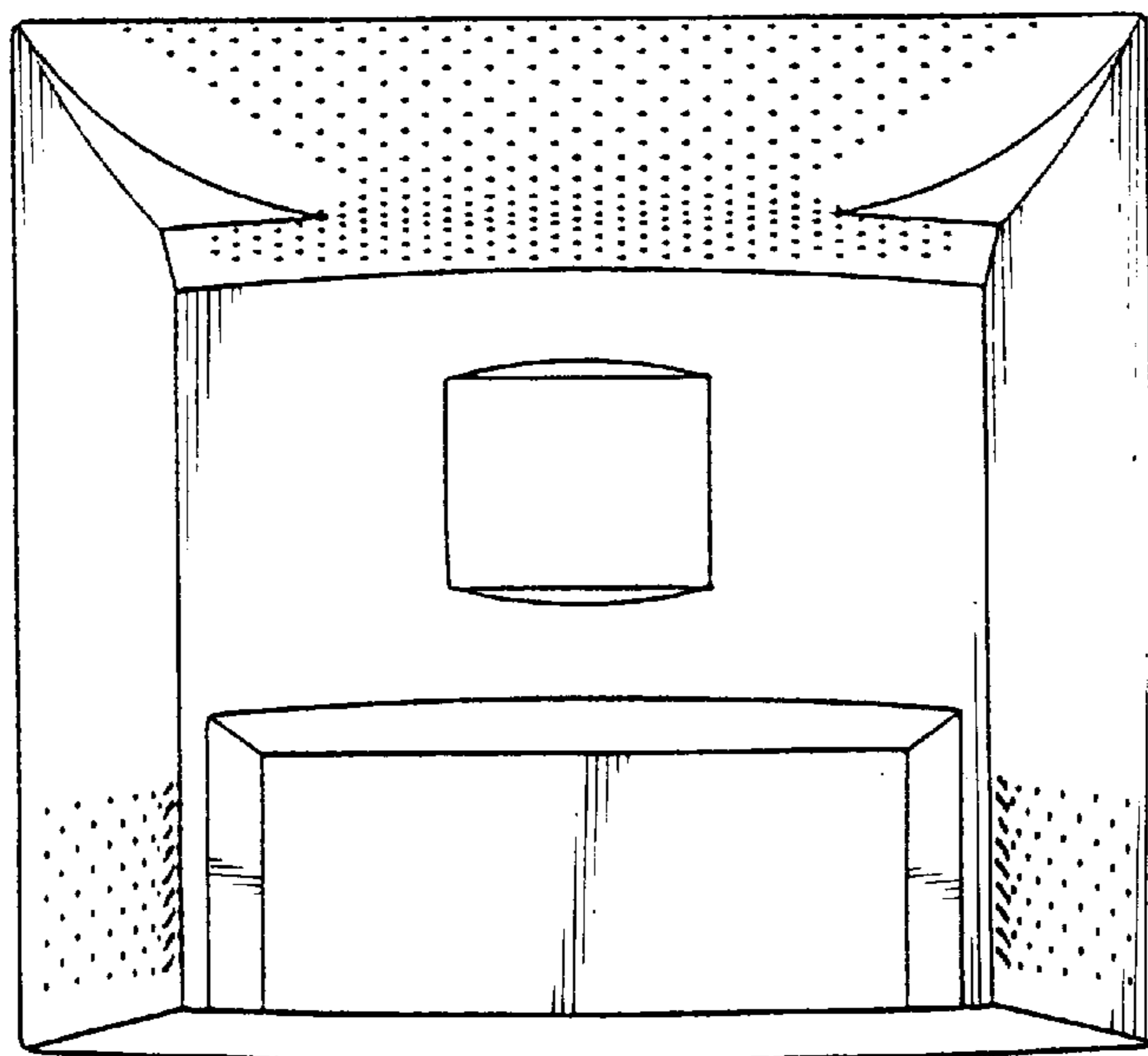
*FIG. 1*



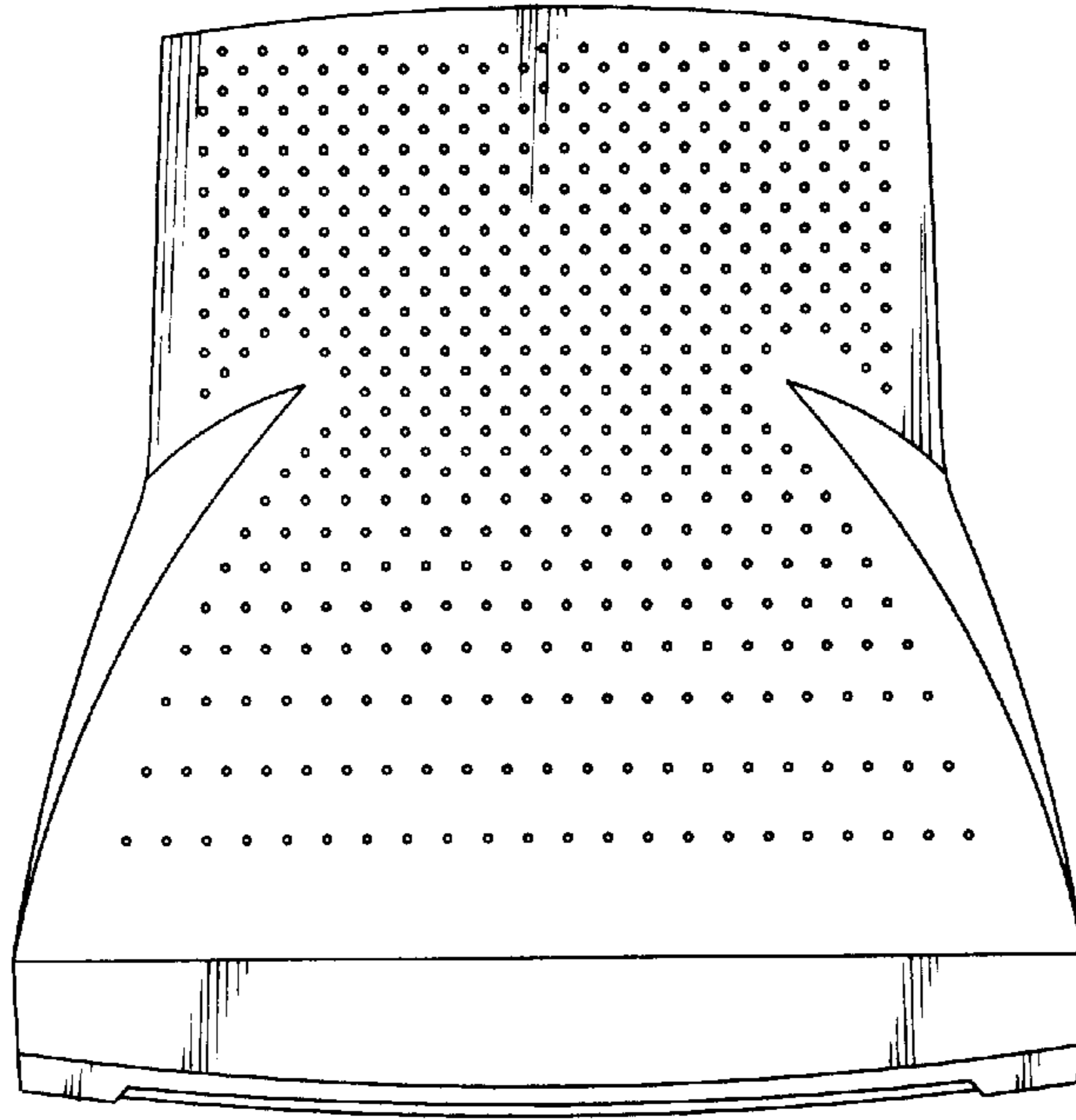
*FIG. 2*



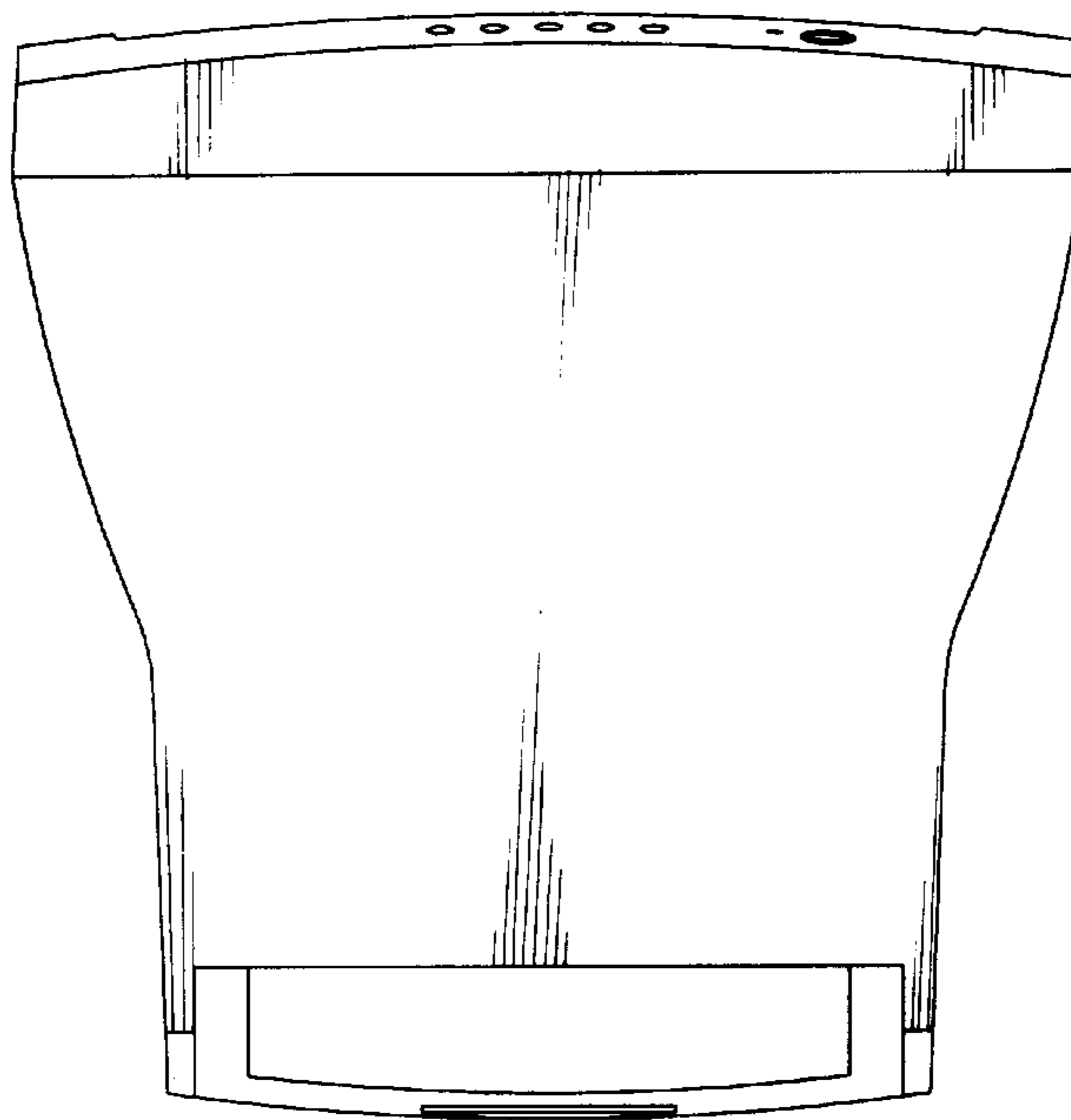
*FIG. 3*



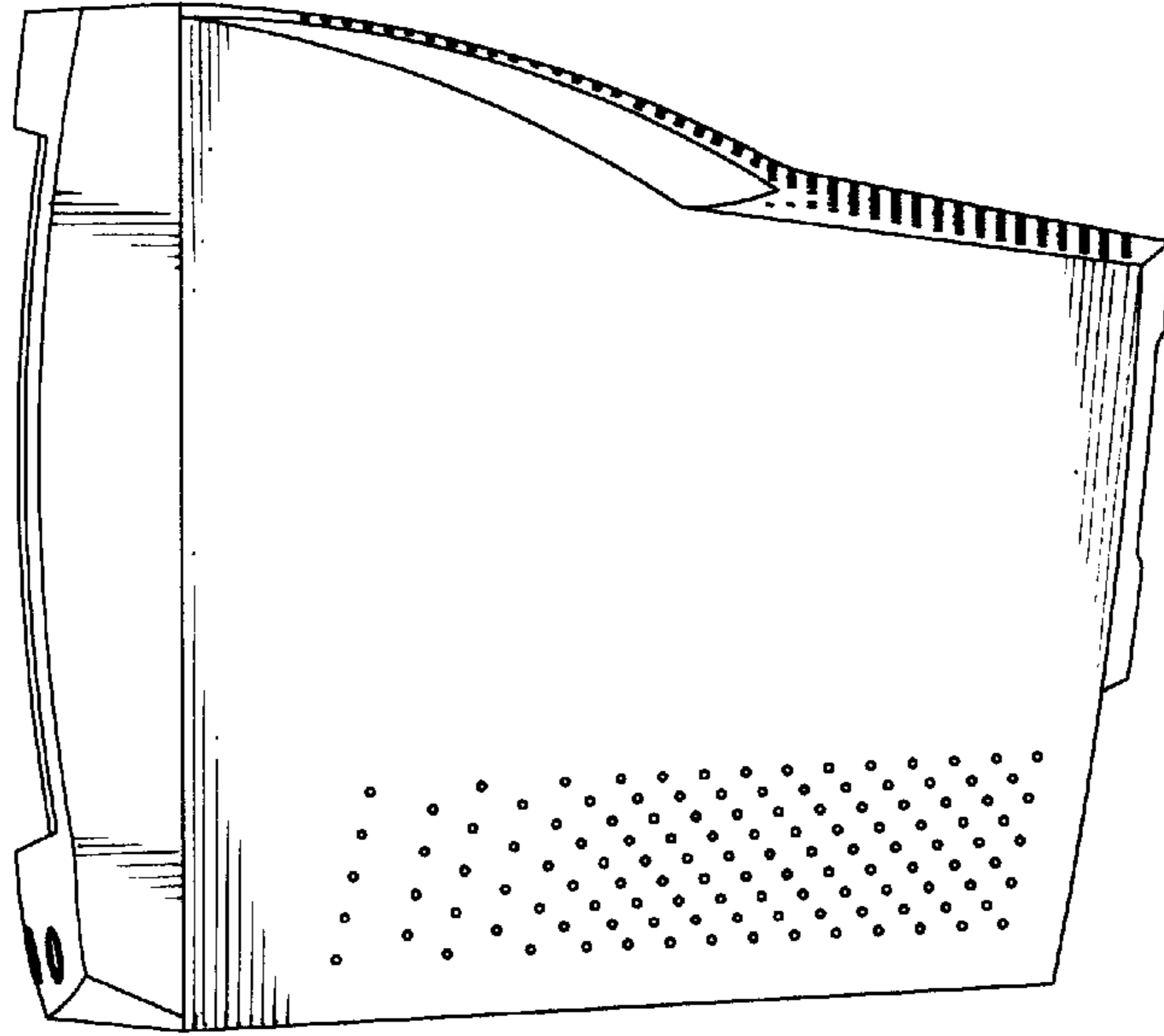
*FIG. 4*



*FIG. 5*



*FIG. 6*



*FIG. 7*

