



US00D419973S

United States Patent [19]

[11] Patent Number: **Des. 419,973**

Ueda

[45] Date of Patent: **** Feb. 1, 2000**

[54] **IMAGE READER**

[75] Inventor: **Yoshitaka Ueda**, Fukuoka, Japan

[73] Assignee: **Matsushita Electric Industrial Co., Ltd.**, Japan

[**] Term: **14 Years**

[21] Appl. No.: **29/096,197**

[22] Filed: **Nov. 6, 1998**

[30] **Foreign Application Priority Data**

May 8, 1998 [JP] Japan 10-13034

[51] **LOC (7) Cl.** **14-02**

[52] **U.S. Cl.** **D14/107**

[58] **Field of Search** D14/100, 105,
D14/107, 118; D18/36, 37, 39, 54; 250/556;
355/64, 65, 75, 81; 235/454, 470, 476,
482, 483

[56] **References Cited**

U.S. PATENT DOCUMENTS

D. 304,824 11/1989 Hara et al. D14/107

D. 309,131	7/1990	Horie	D14/107
D. 350,733	9/1994	Masujima	D14/107
D. 366,467	1/1996	Masujima et al.	D14/107
D. 366,652	1/1996	Ichinose	D14/107
D. 380,204	6/1997	Kogoh et al.	D14/107
D. 383,449	9/1997	Iimura	D14/107
D. 385,859	11/1997	Iimura	D14/107

Primary Examiner—Freda Nunn
Attorney, Agent, or Firm—Saidman DesignLaw Group

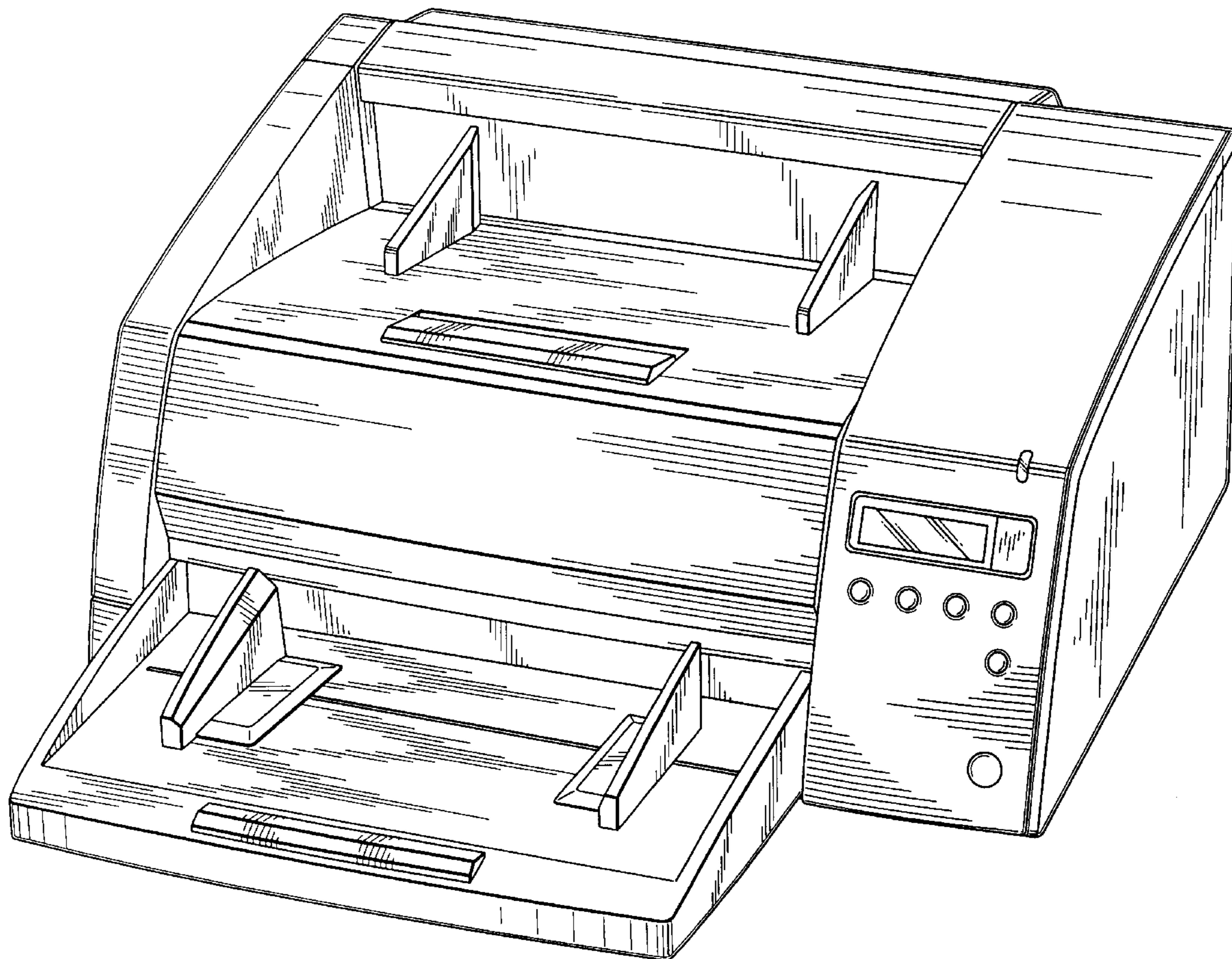
[57] **CLAIM**

The ornamental design for an image reader, as shown and described.

DESCRIPTION

FIG. 1 is a perspective view of the top front and right side of an image reader showing my new design;
FIG. 2 is a front view thereof;
FIG. 3 is a rear view thereof;
FIG. 4 is a top plan view thereof;
FIG. 5 is a right side view thereof;
FIG. 6 is a left side view thereof; and,
FIG. 7 is a bottom view thereof.

1 Claim, 5 Drawing Sheets



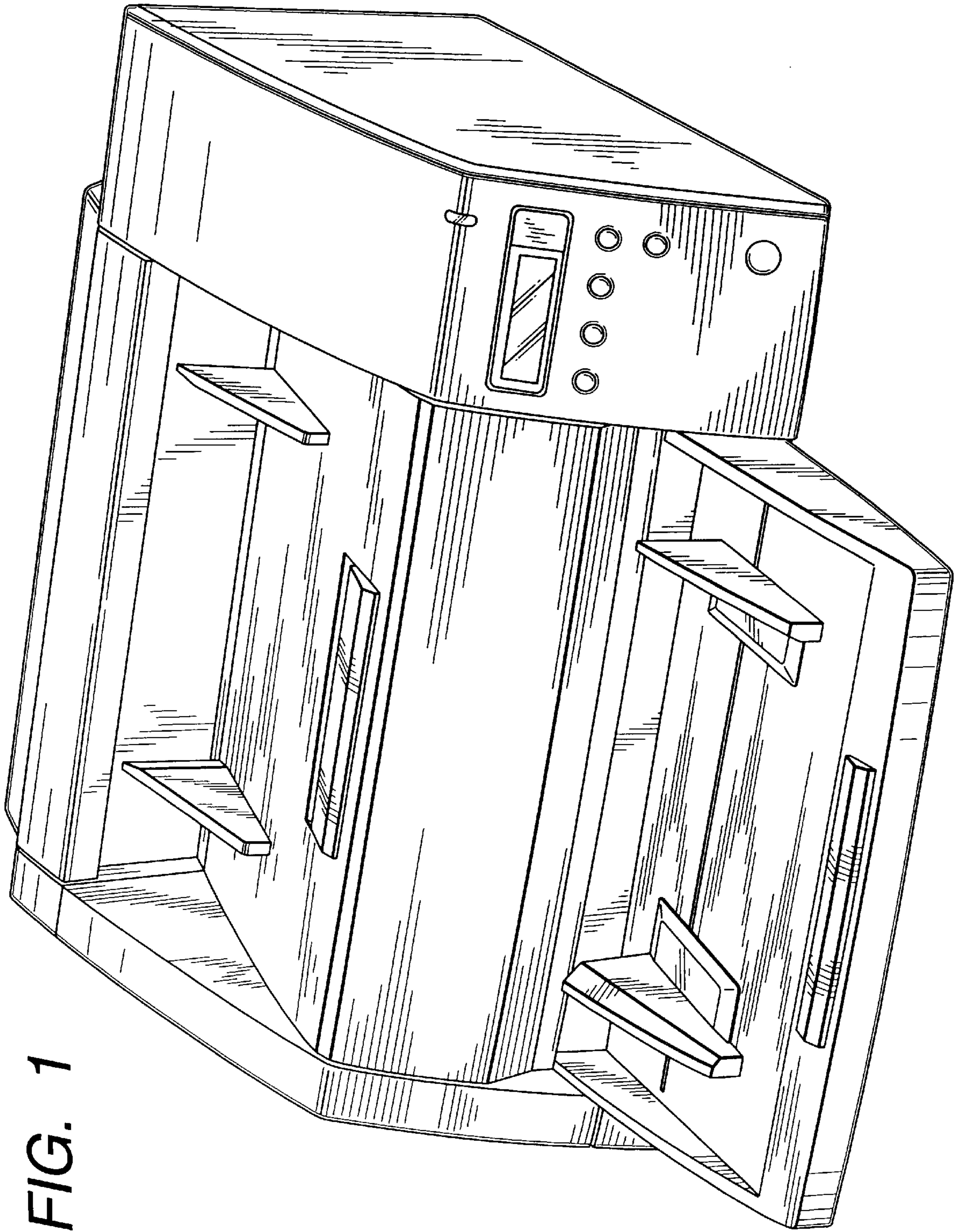


FIG. 1

FIG. 2

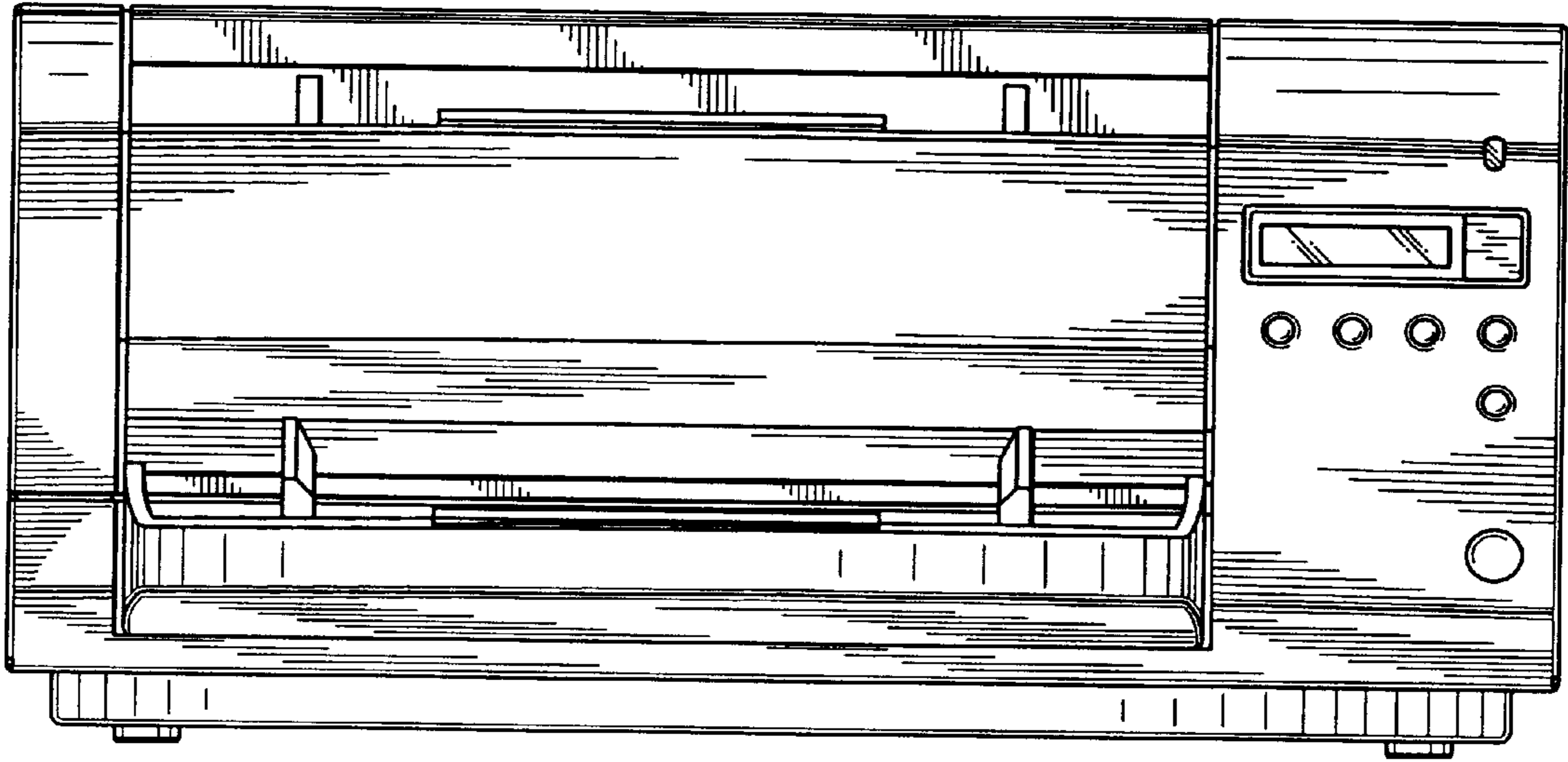


FIG. 3

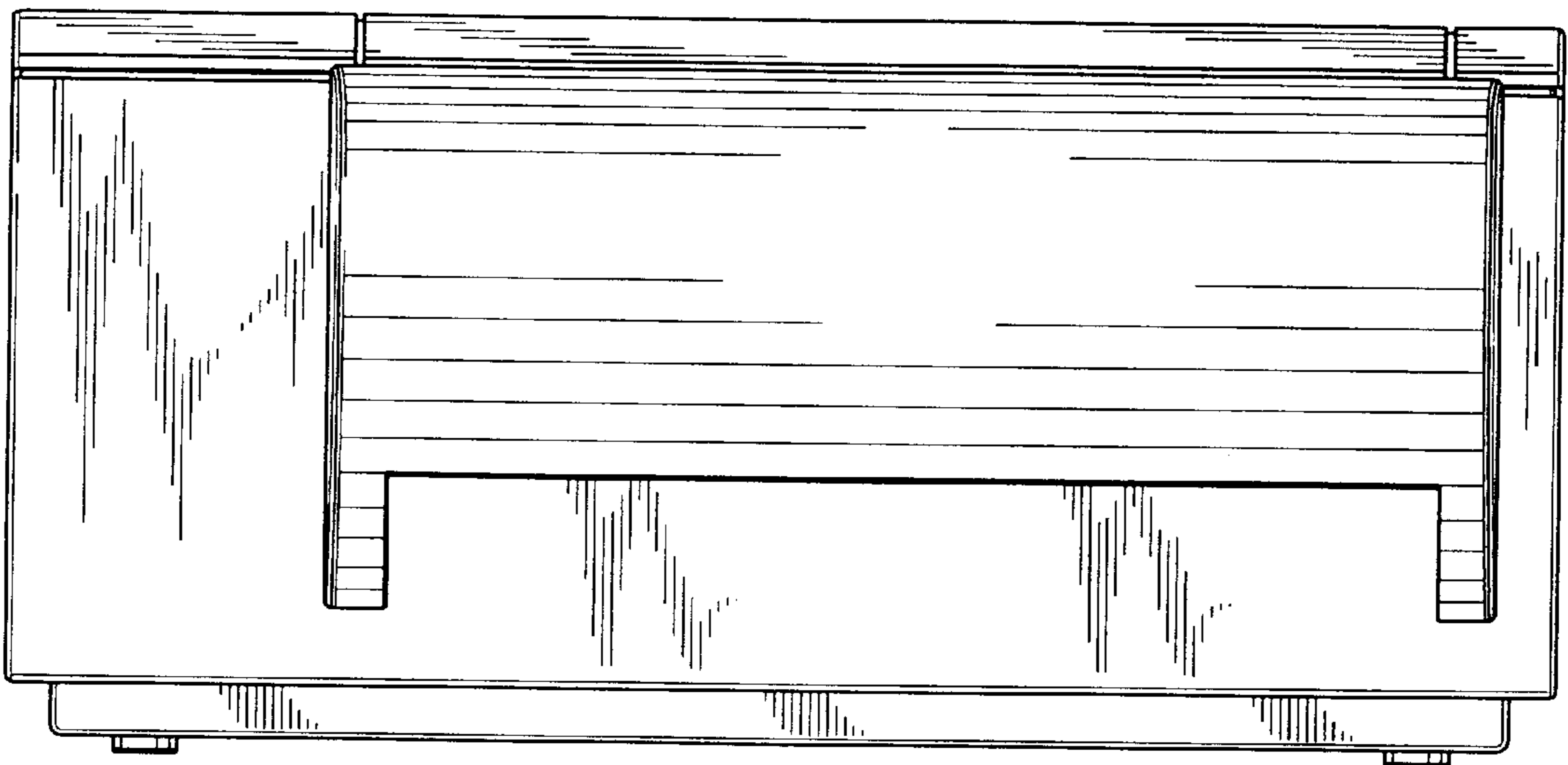


FIG. 4

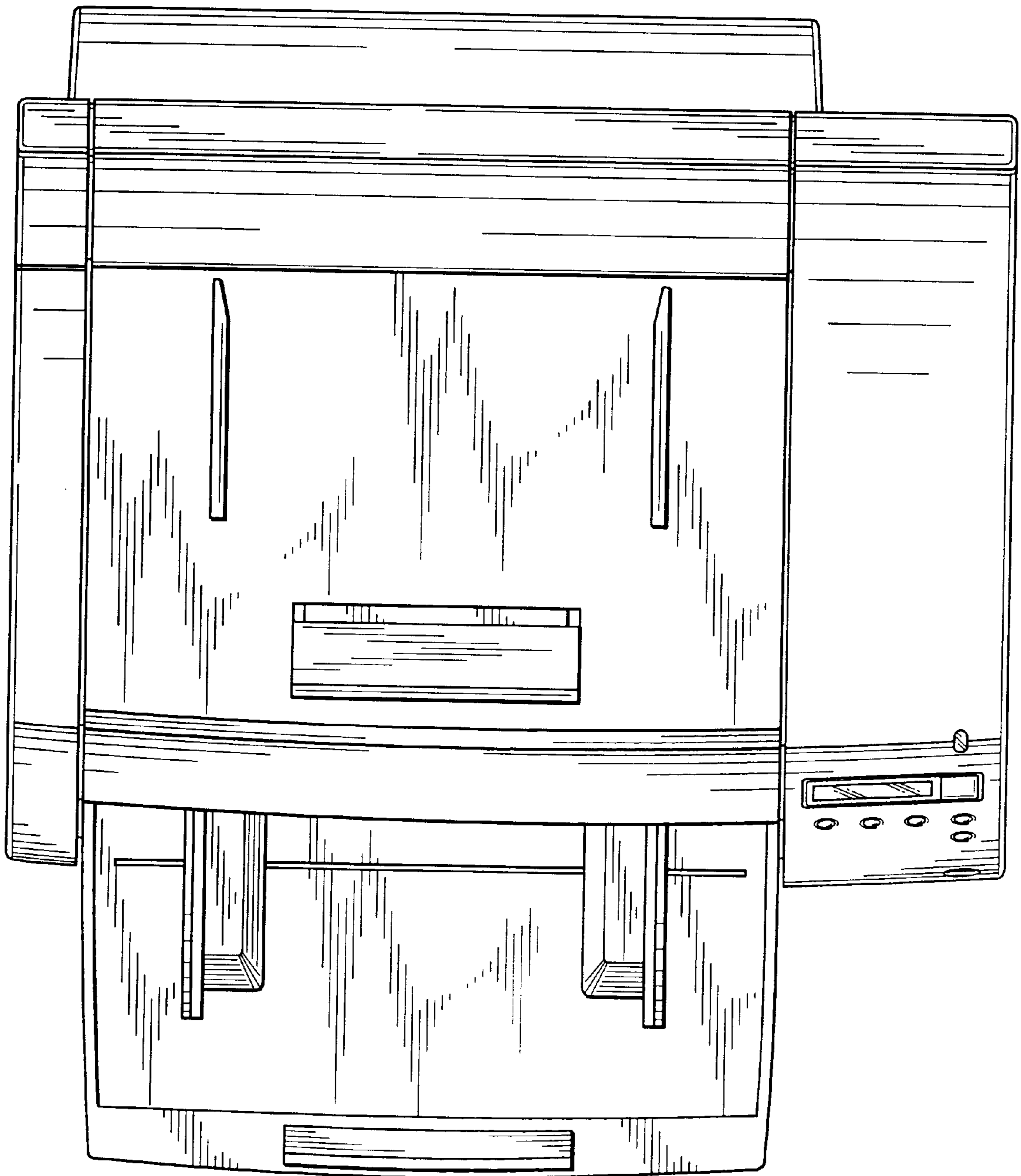


FIG. 5

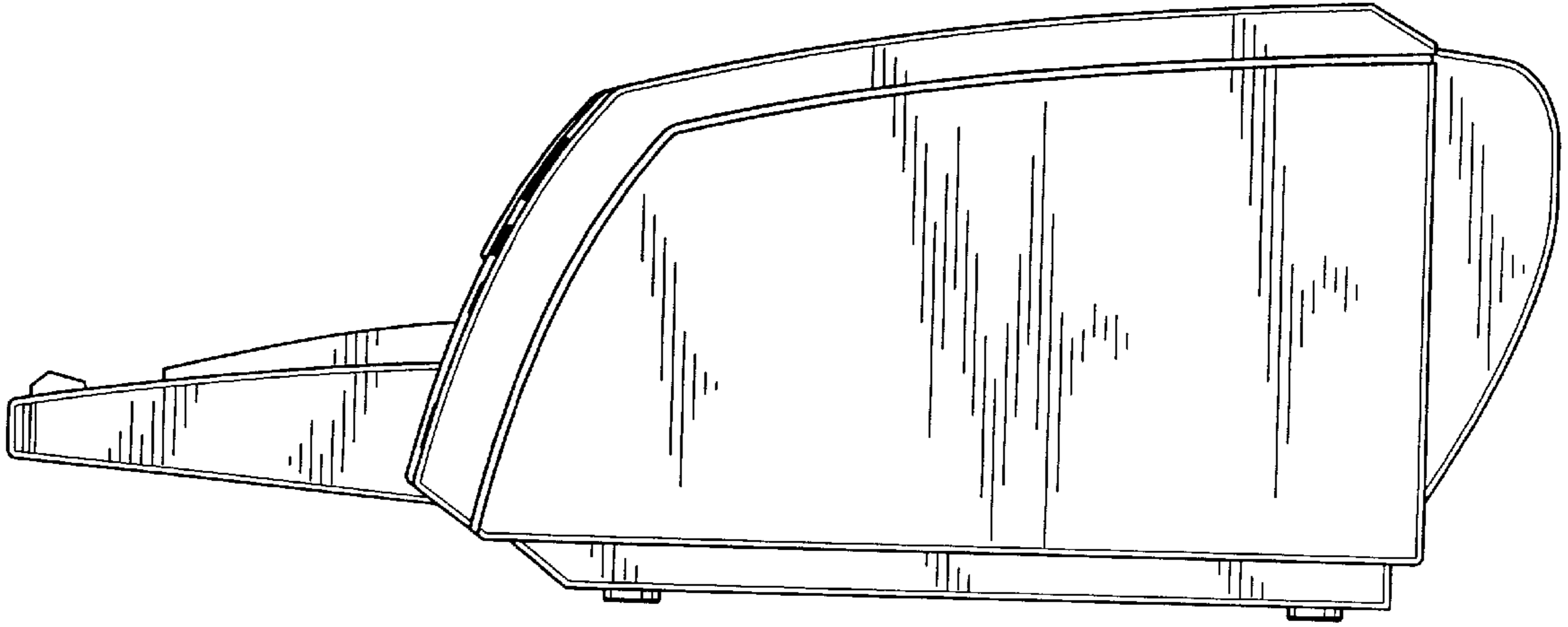


FIG. 6

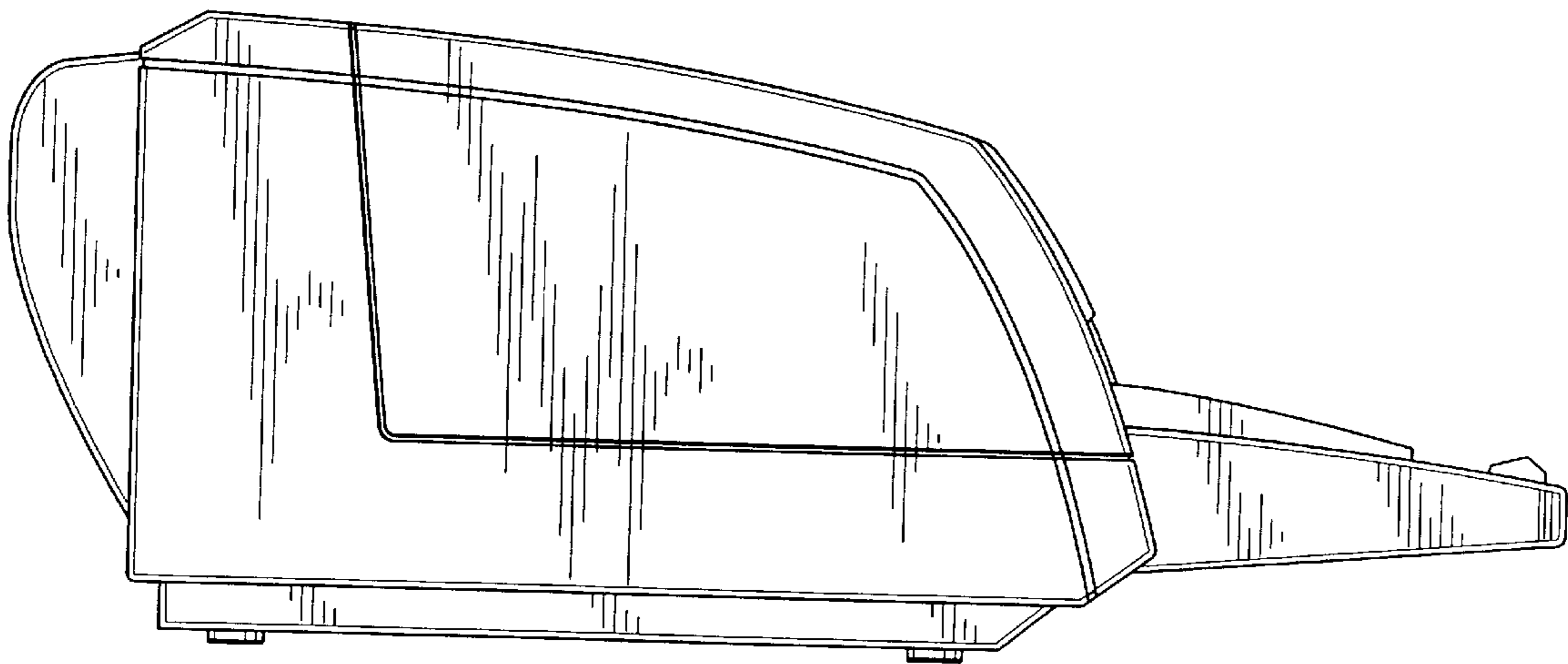


FIG. 7

