



US00D419971S

United States Patent [19]

Ito et al.

[11] **Patent Number: Des. 419,971**

[45] **Date of Patent: ** Feb. 1, 2000**

[54] **DATA RECORDER**

D. 378,515 3/1997 Senshiki D14/100
D. 380,200 6/1997 Hill et al. D14/100

[75] Inventors: **Masafumi Ito; Shigeru Hasegawa,**
both of Tokyo, Japan

Primary Examiner—Freda Nunn
Attorney, Agent, or Firm—Kanesaka & Takeuchi

[73] Assignee: **Teac Corporation,** Tokyo, Japan

[**] Term: **14 Years**

[57] **CLAIM**

[21] Appl. No.: **29/092,407**

The ornamental design for a data recorder, as shown and described.

[22] Filed: **Aug. 18, 1998**

DESCRIPTION

[30] **Foreign Application Priority Data**

Feb. 19, 1998 [JP] Japan 10-4408

FIG. 1 is a front view of a data recorder showing our new design;

[51] **LOC (7) Cl.** **14-02**

FIG. 2 is a rear view thereof;

[52] **U.S. Cl.** **D14/107; D14/164**

FIG. 3 is a top plan view thereof, the bottom plan view being symmetrical to the top plan view;

[58] **Field of Search** D14/100, 102,
D14/107-109, 164, 168; D10/46; D13/162,
184, 199; 312/194, 223.3; 360/99.12; 361/690-696;
369/34, 36

FIG. 4 is a left side view thereof, the right side view being symmetrical to the left side view; and,

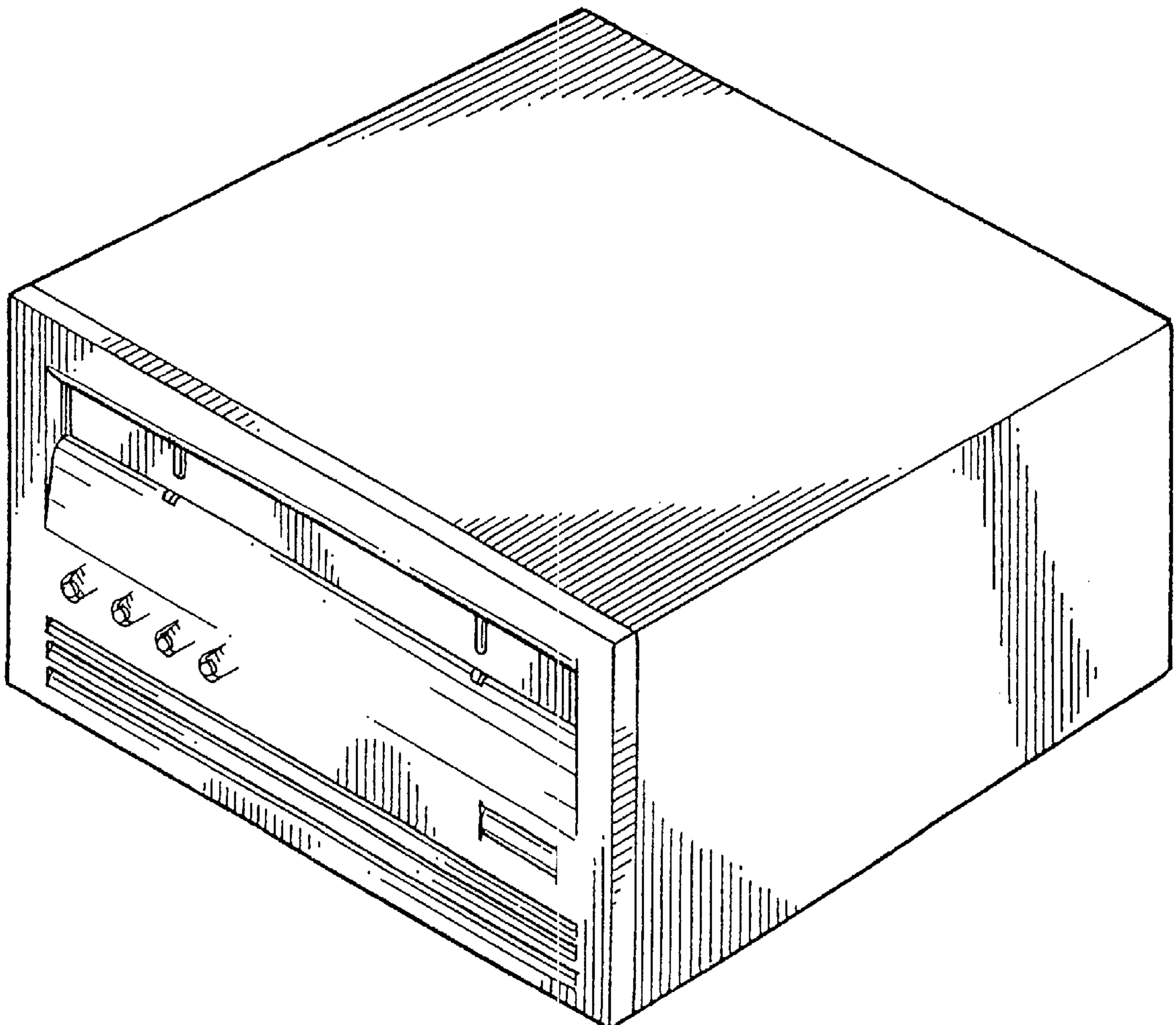
FIG. 5 is a perspective view thereof.

[56] **References Cited**

U.S. PATENT DOCUMENTS

D. 360,883 8/1995 Ito et al. D14/107

1 Claim, 2 Drawing Sheets



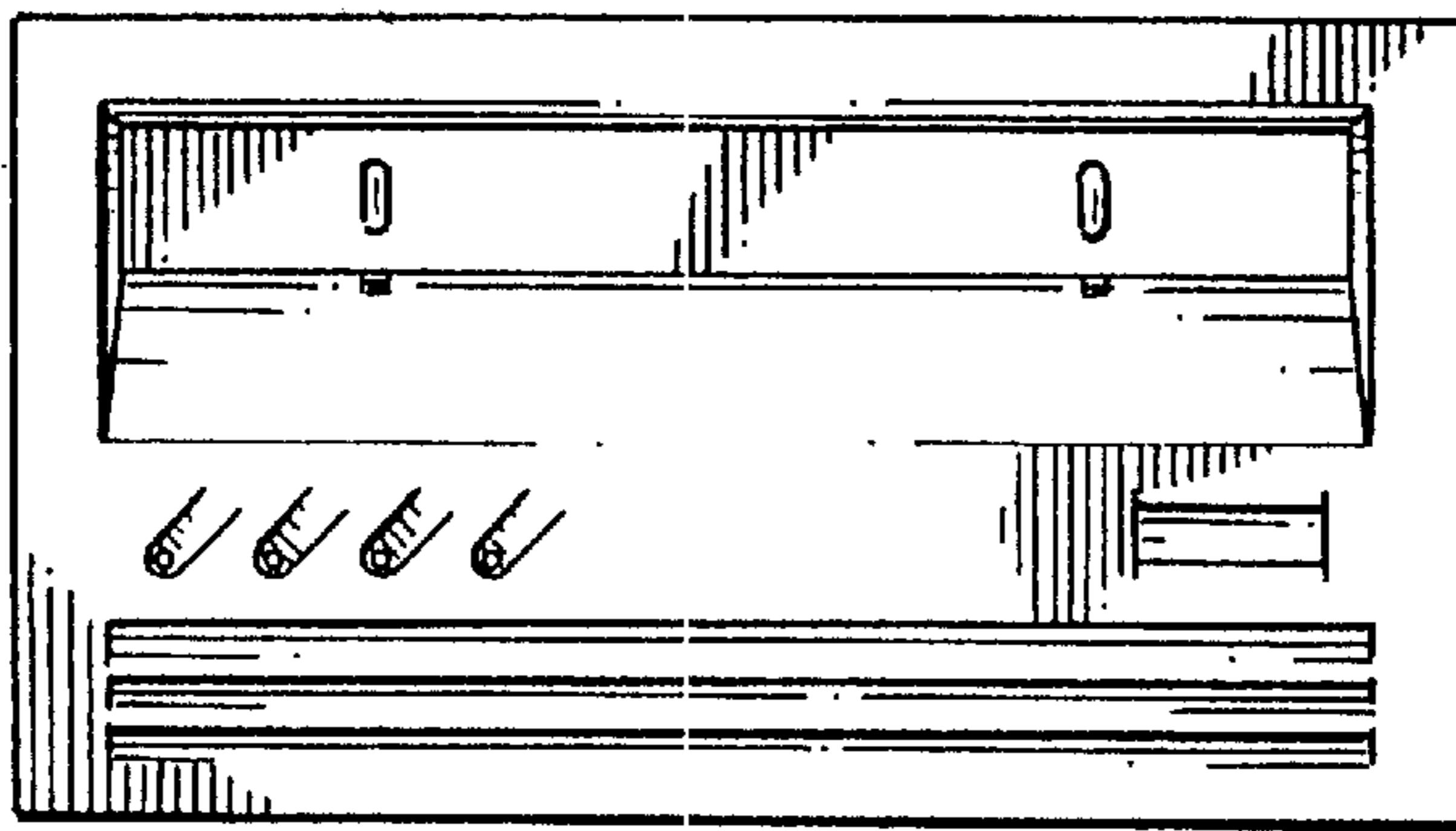


FIG. 1

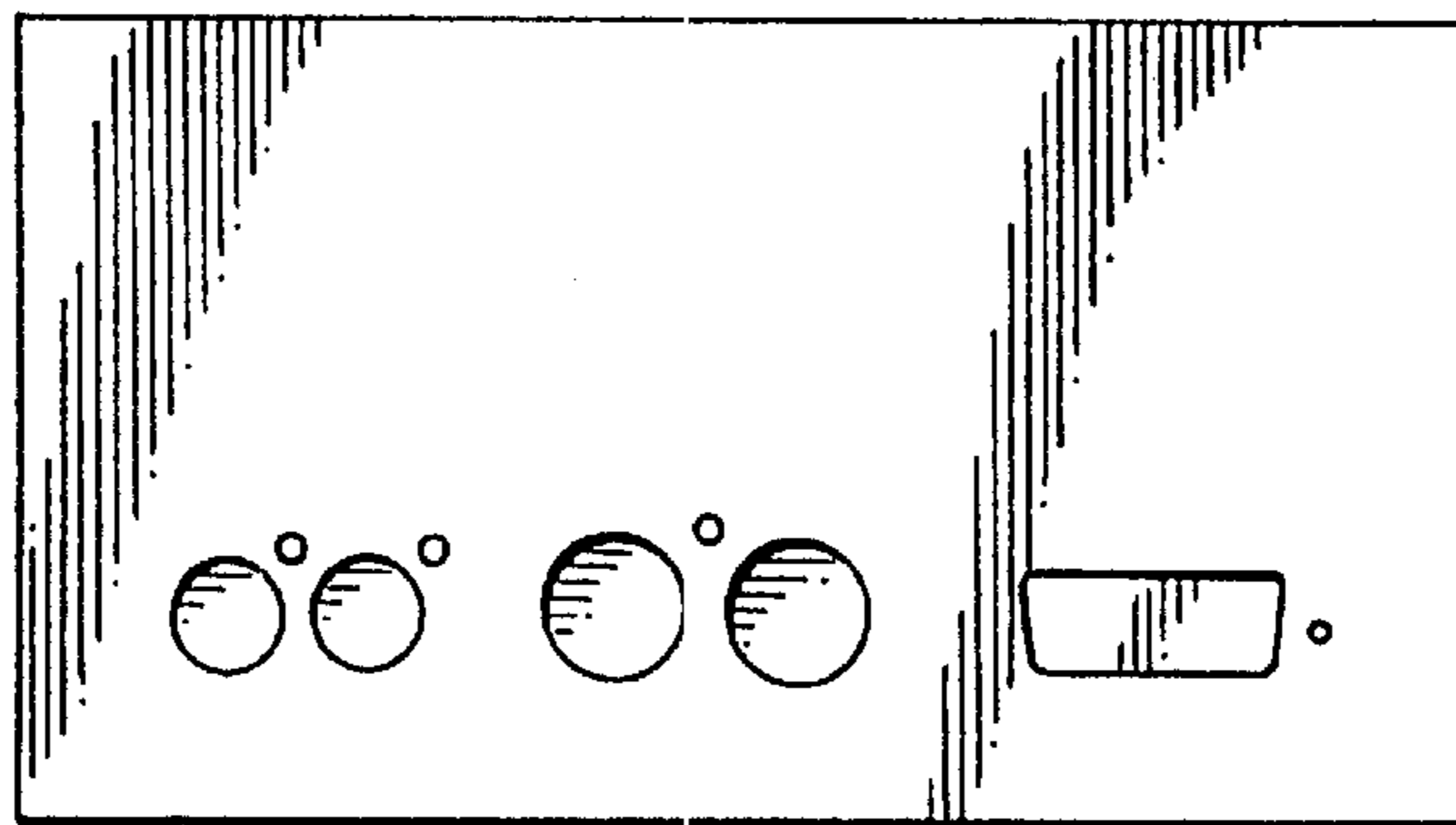


FIG. 2

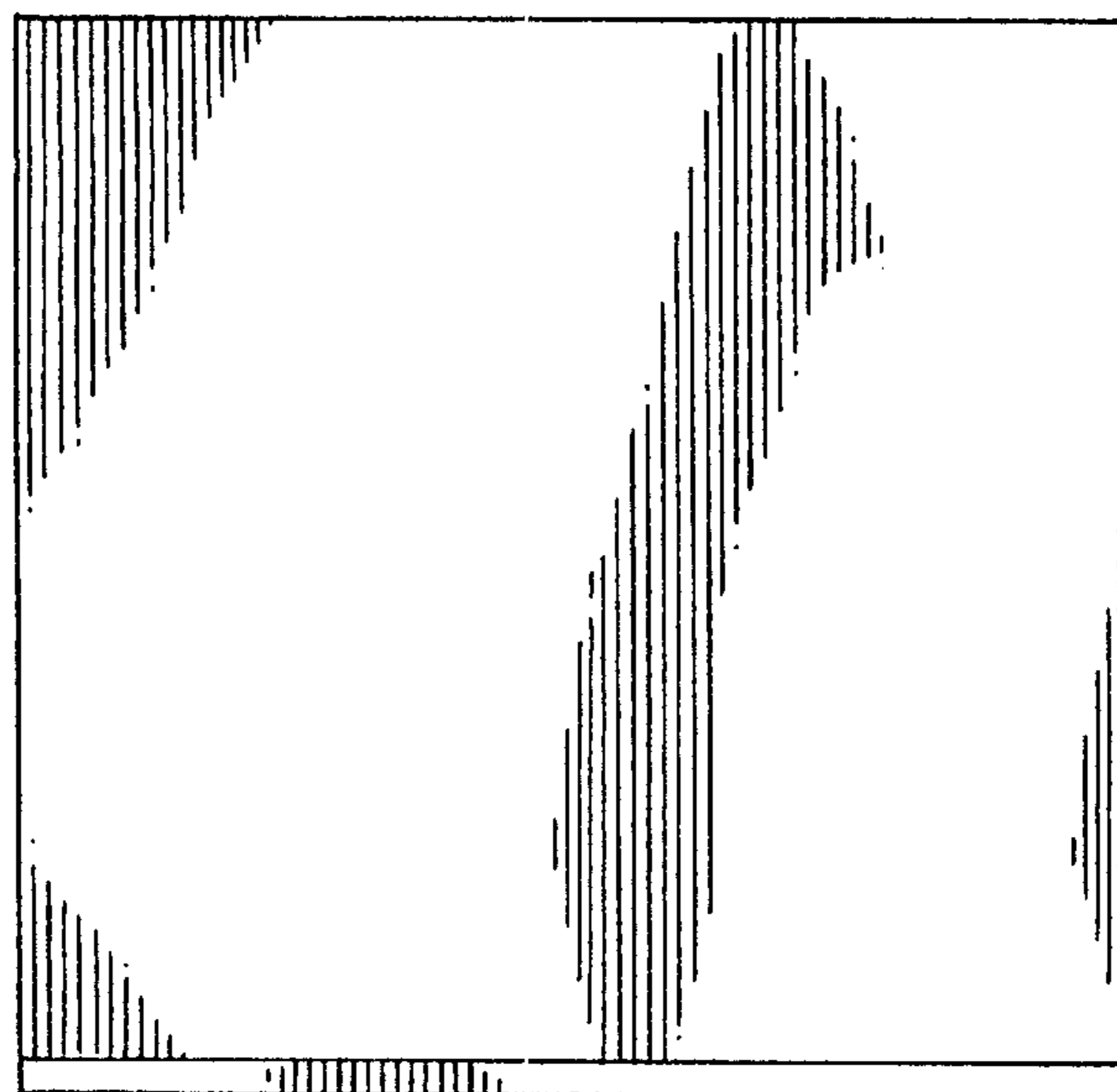


FIG. 3

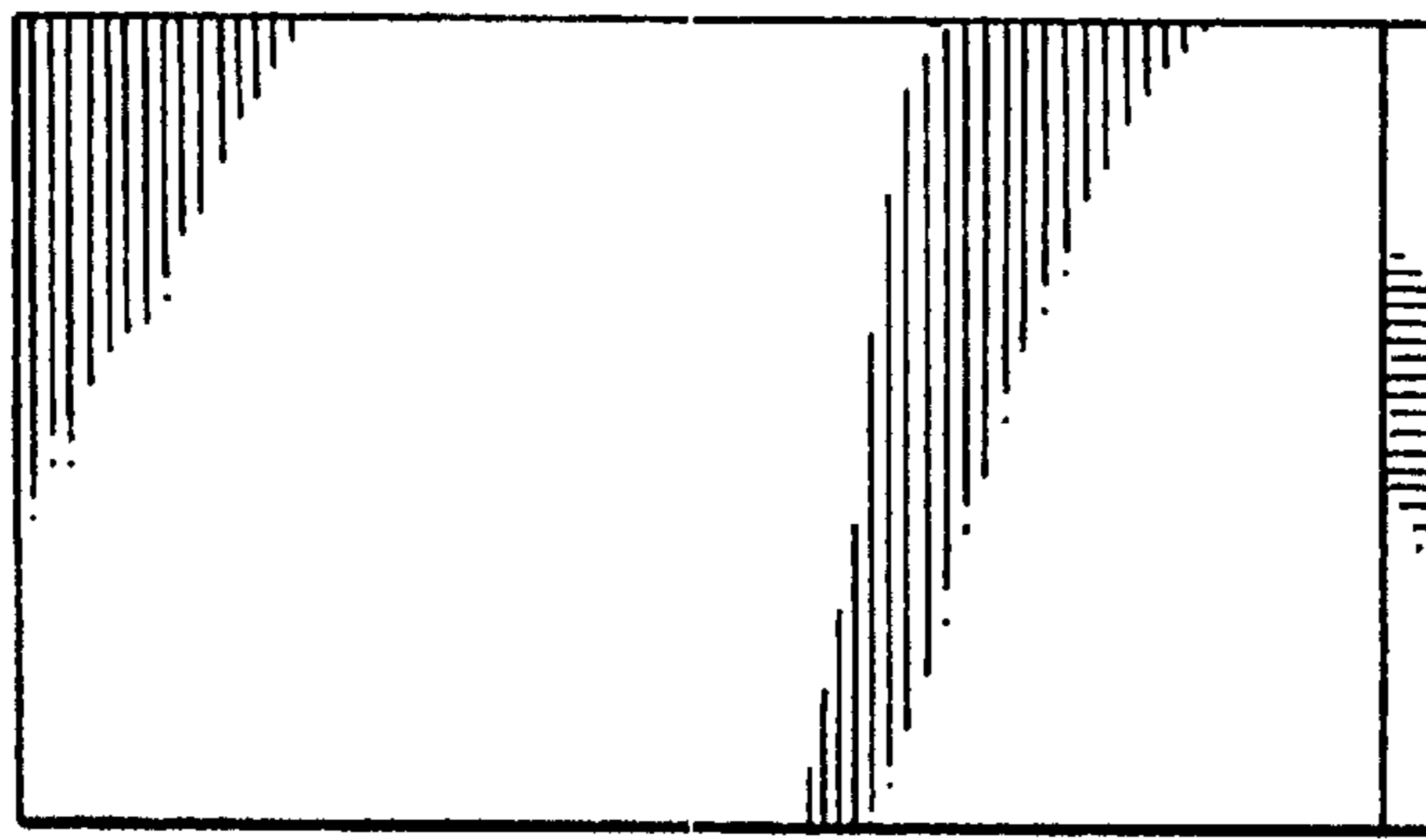


FIG. 4

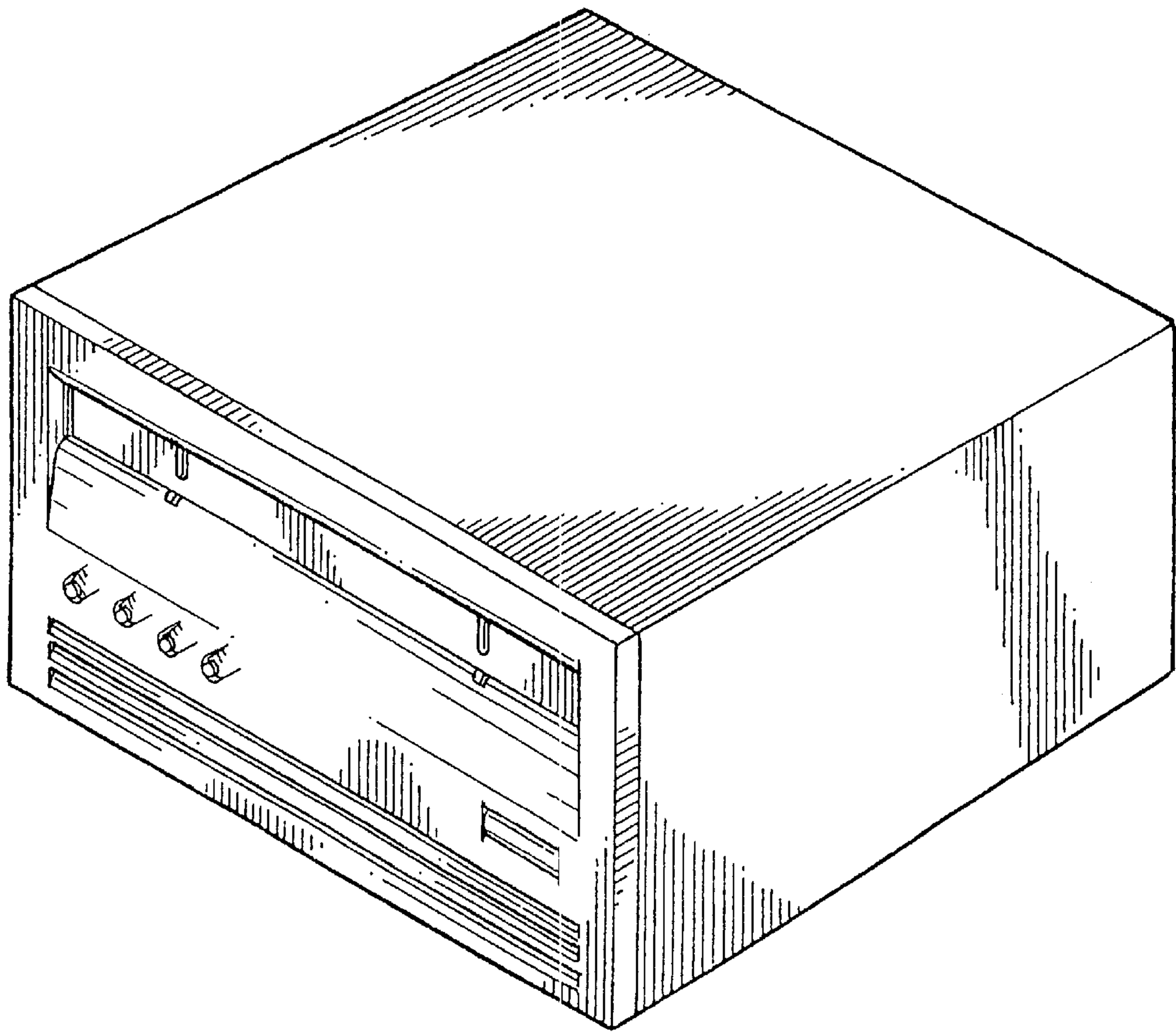


FIG. 5