



US00D419969S

United States Patent [19]
Imahashi et al.

[11] **Patent Number: Des. 419,969**
[45] **Date of Patent: ** Feb. 1, 2000**

[54] **PERSONAL COMPUTER**

[75] Inventors: **Kouichi Imahashi**, Tokyo; **Mitsuo Arikawa**, Niigata-ken; **Tomoaki Takuma**, Tokyo, all of Japan

[73] Assignee: **NEC Corporation**, Tokyo, Japan

[**] Term: **14 Years**

[21] Appl. No.: **29/097,190**

[22] Filed: **Nov. 30, 1998**

[30] **Foreign Application Priority Data**

May 28, 1998 [JP] Japan 10-15254

[51] **LOC (7) Cl.** **14-02**

[52] **U.S. Cl.** **D14/106**

[58] **Field of Search** D14/100, 101,
D14/106, 113, 115; D18/1, 2, 7; 235/145 A,
145 R; 341/22, 23; 345/104, 156, 168,
169, 173; 361/680-686; 364/708.1; 400/486,
489

[56] **References Cited**

U.S. PATENT DOCUMENTS

D. 380,459 7/1997 Tanimura et al. D14/106
D. 396,220 7/1998 Lee D14/106
D. 396,703 8/1998 Han D14/106

Primary Examiner—Freda Nunn
Attorney, Agent, or Firm—Sughrue, Mion, Zinn, Macpeak & Seas, PLLC

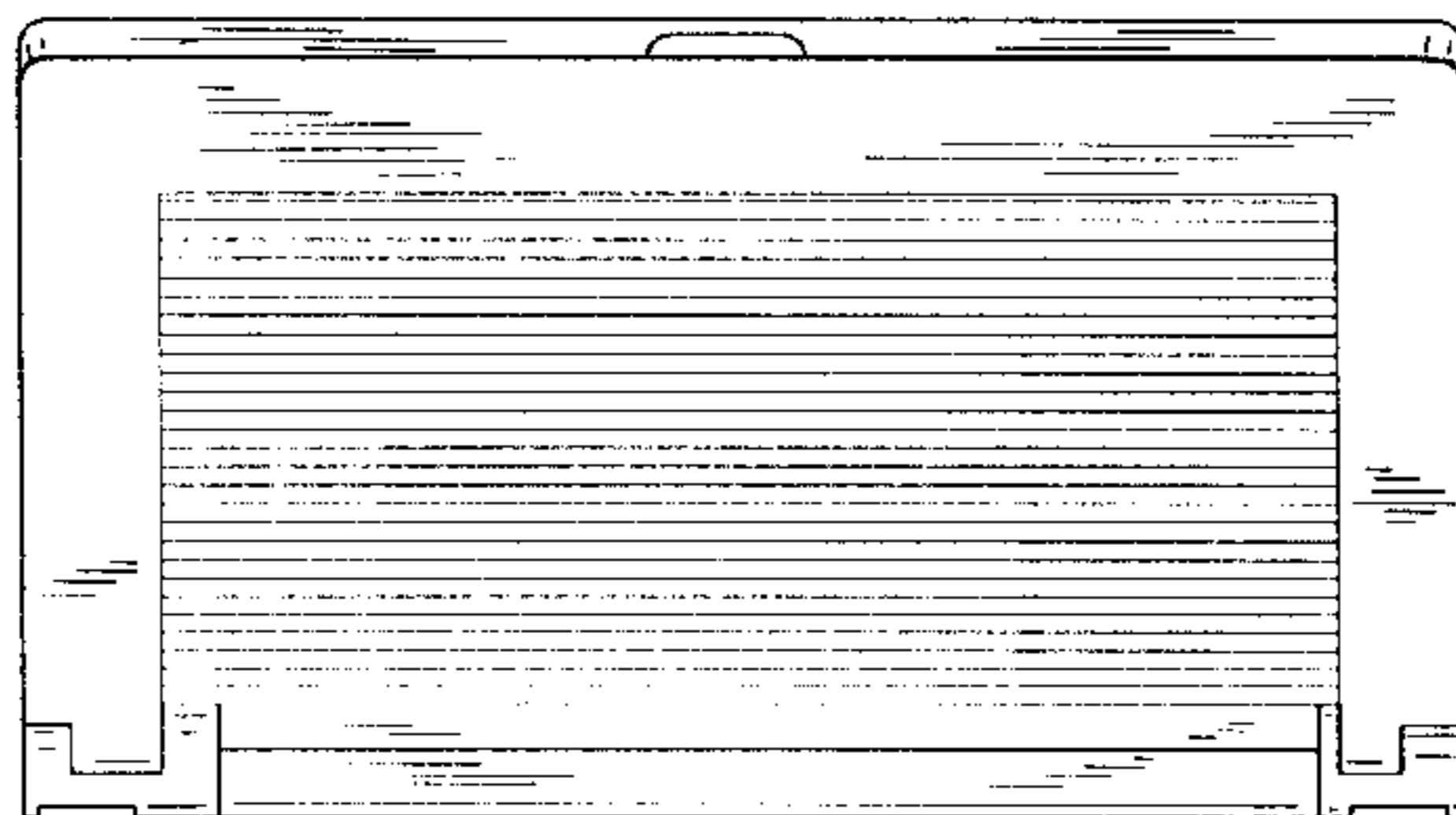
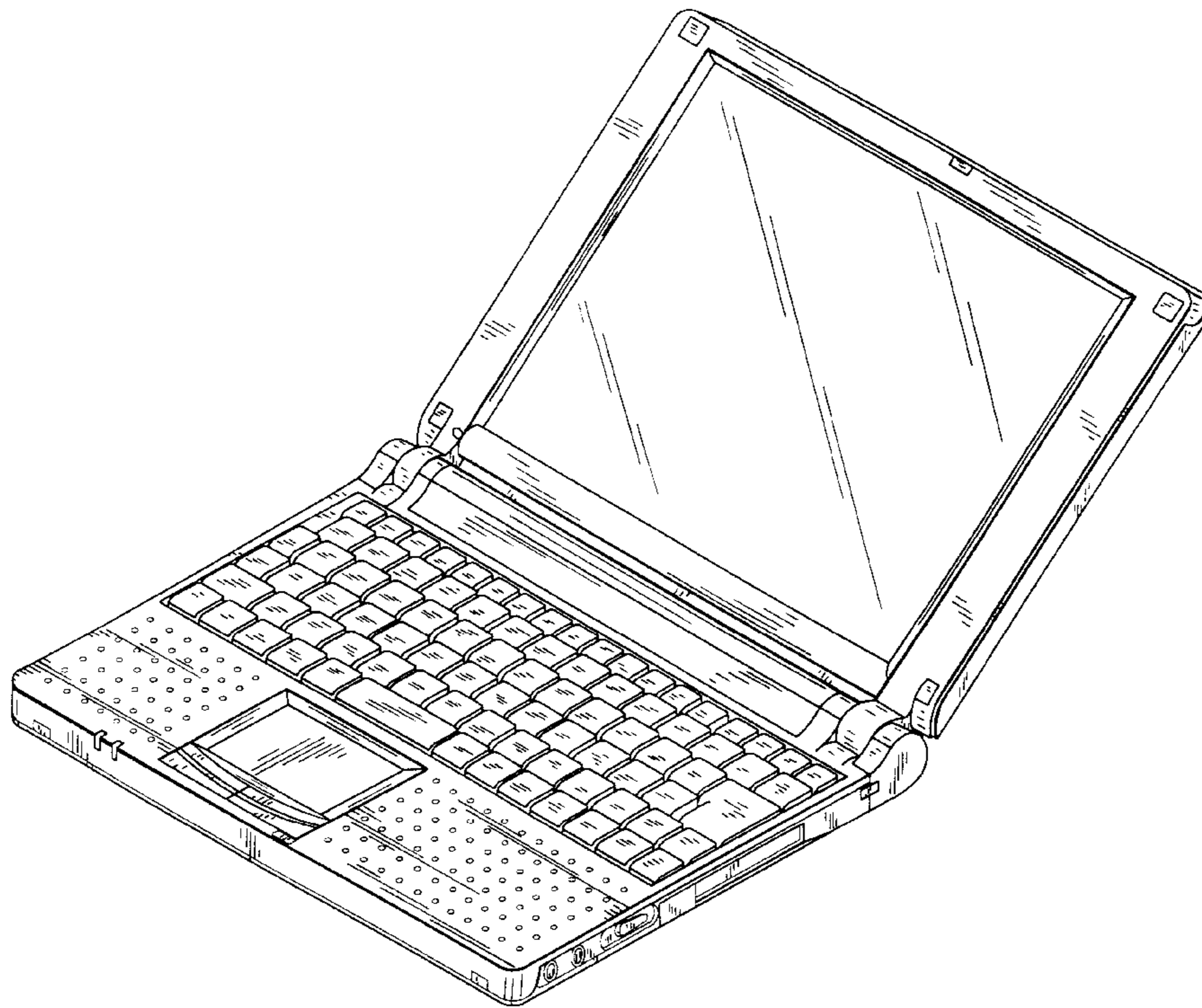
[57] **CLAIM**

The ornamental design for a personal computer, as shown.

DESCRIPTION

FIG. 1 is a perspective view of the top, front and right side of a personal computer showing our new design;
FIG. 2 is a top plan view thereof;
FIG. 3 is a bottom plan view thereof;
FIG. 4 is a front elevational view thereof;
FIG. 5 is a rear elevational view thereof;
FIG. 6 is a right side elevational view thereof; and,
FIG. 7 is a left side elevational view thereof.

1 Claim, 4 Drawing Sheets



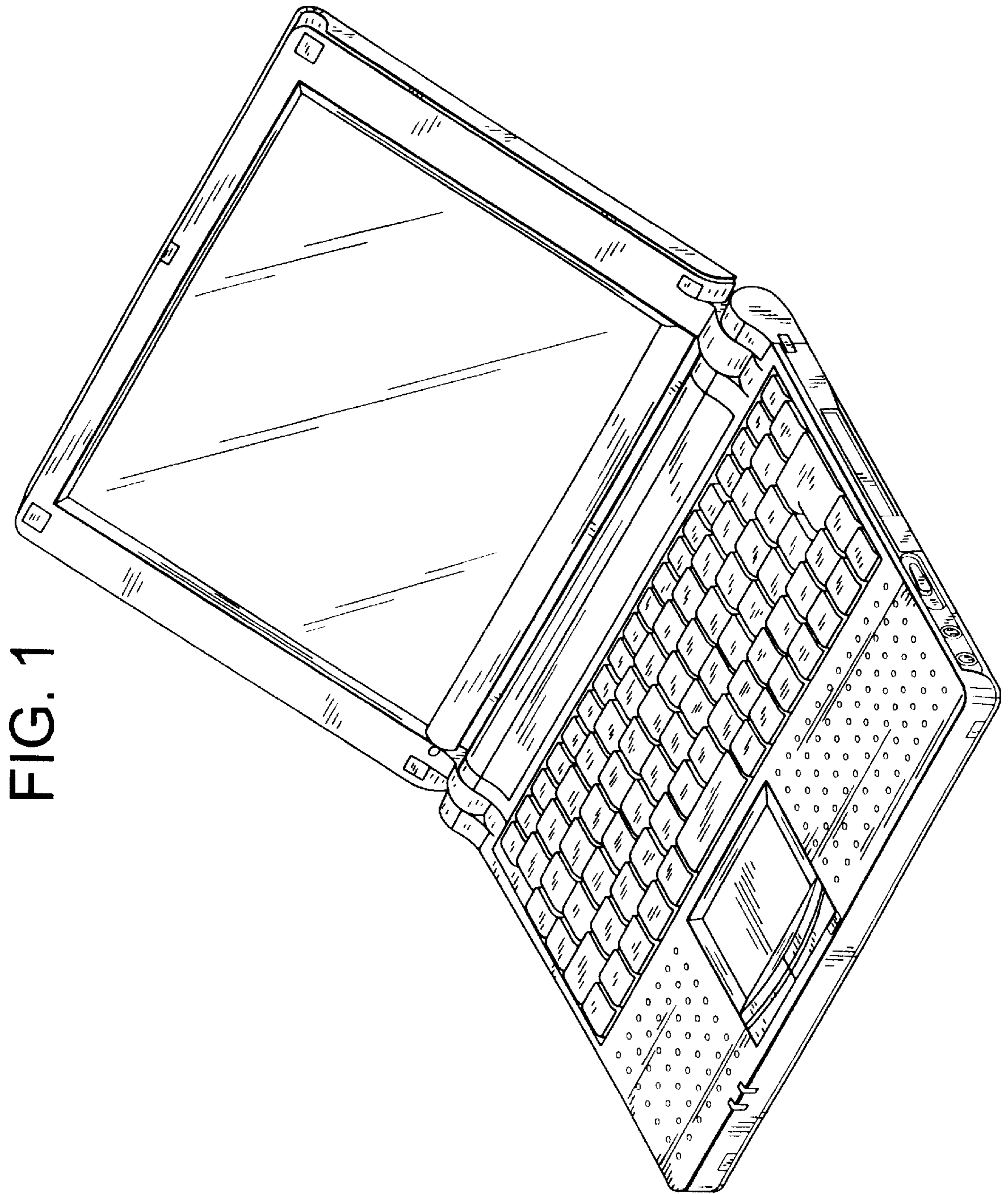


FIG. 3

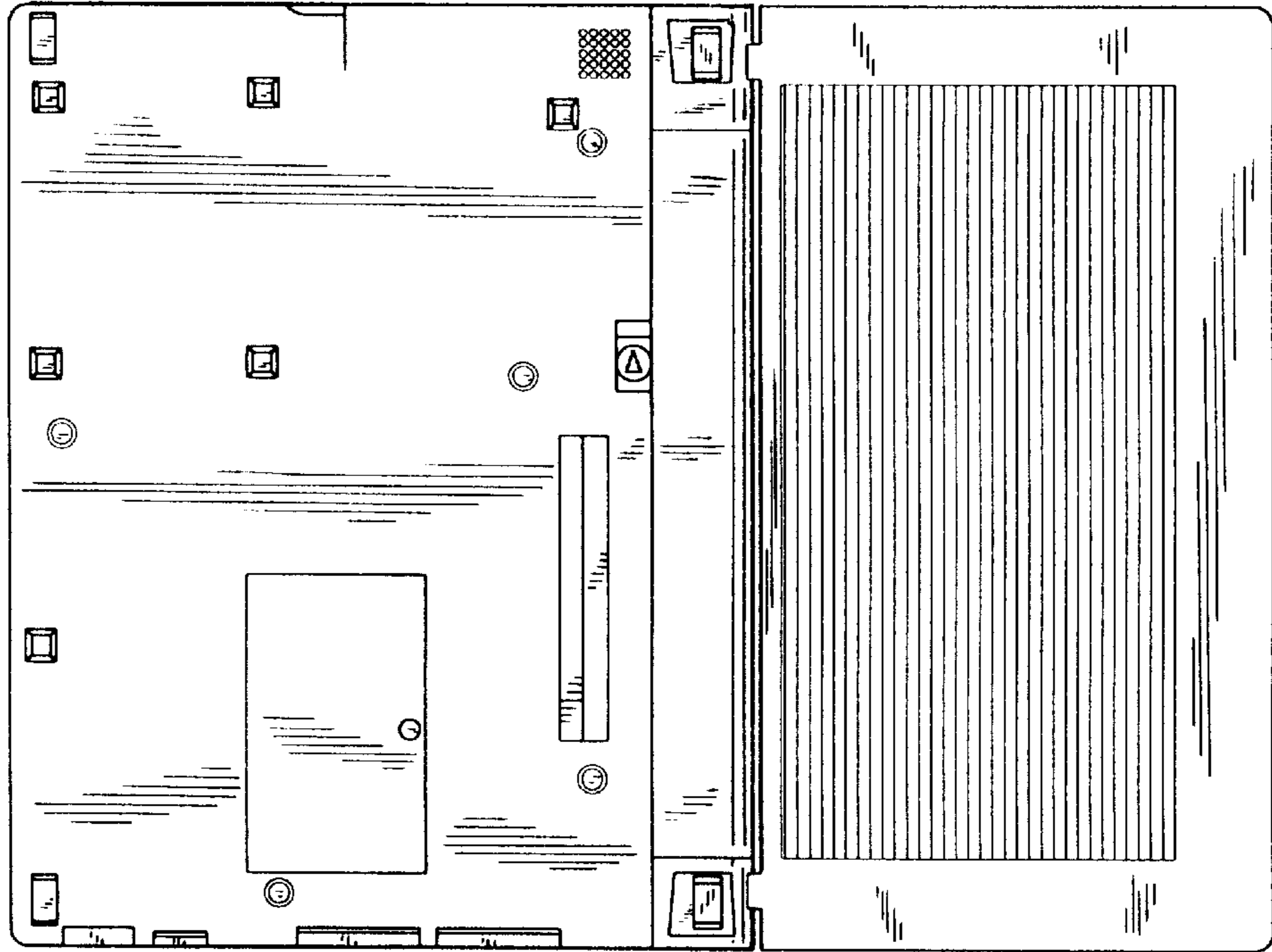


FIG. 2

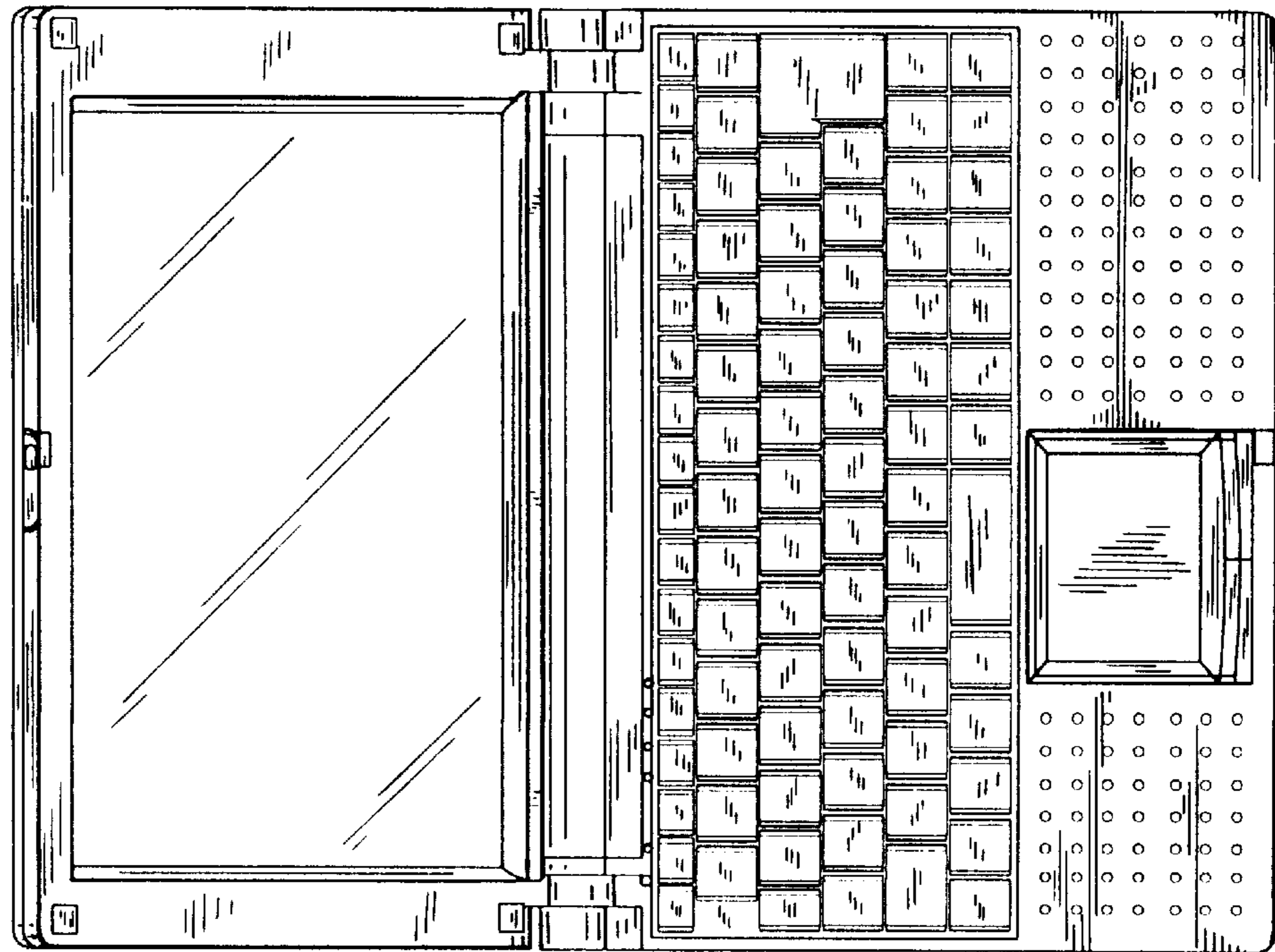


FIG. 4

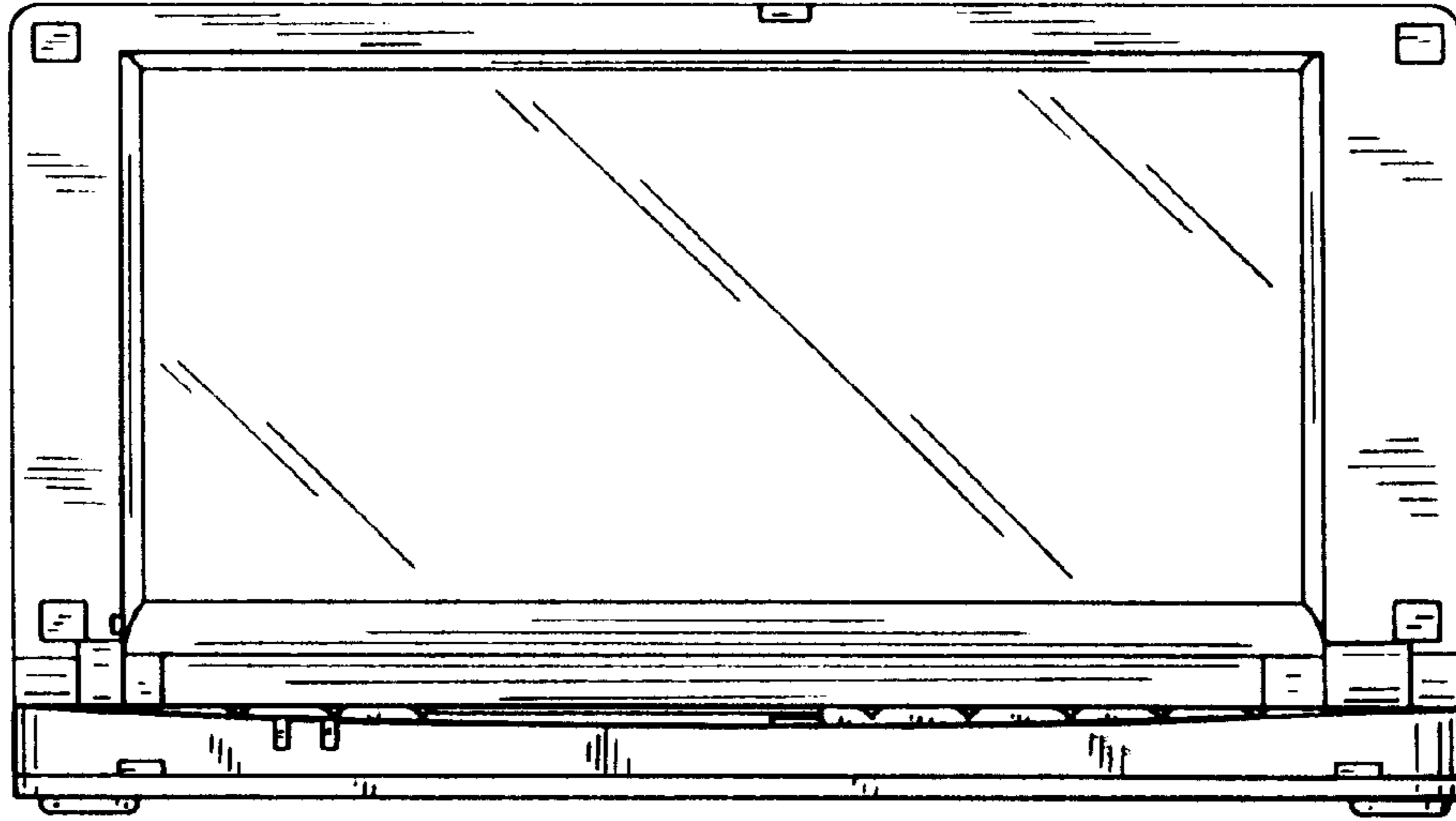


FIG. 5

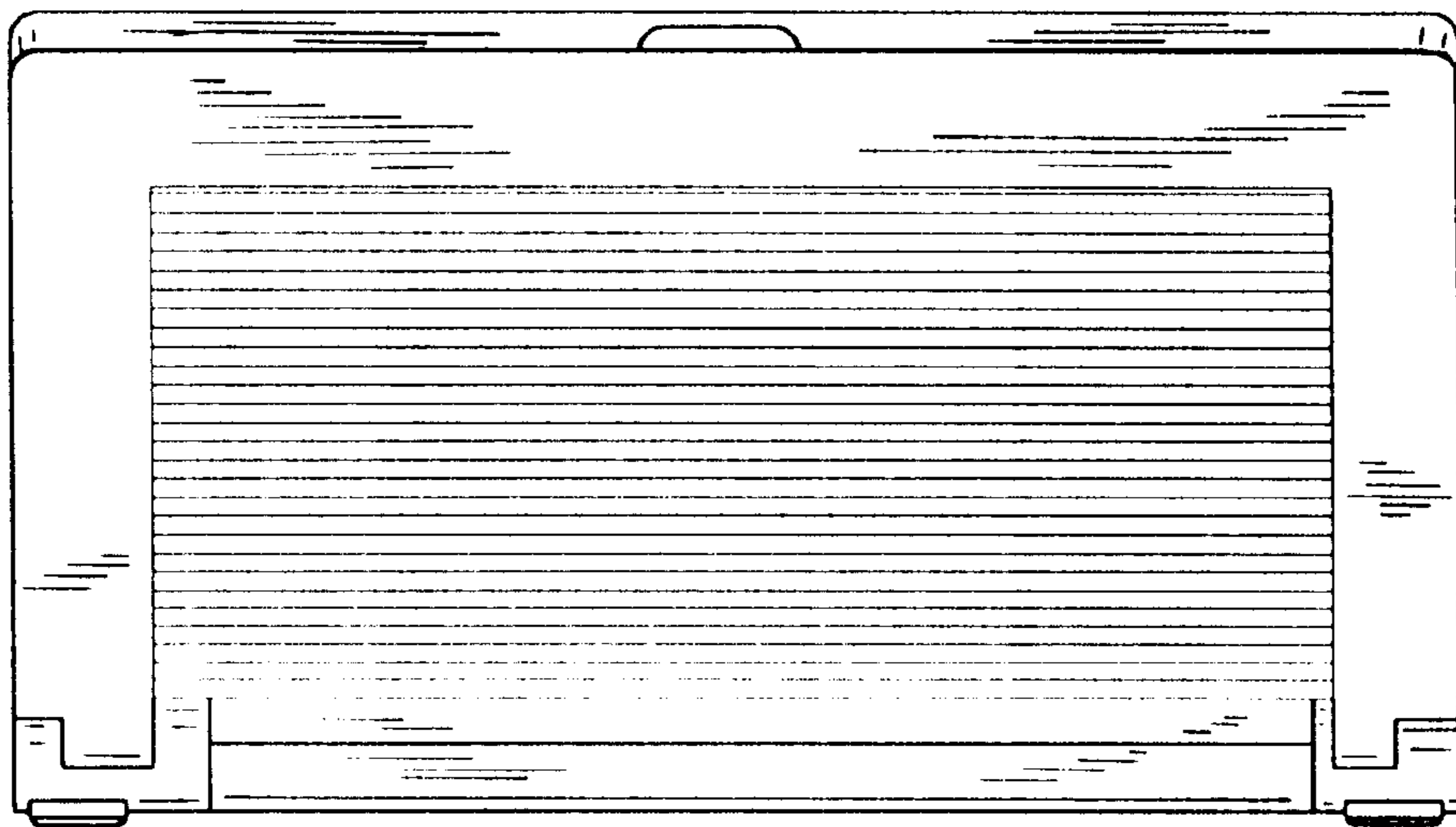


FIG. 6

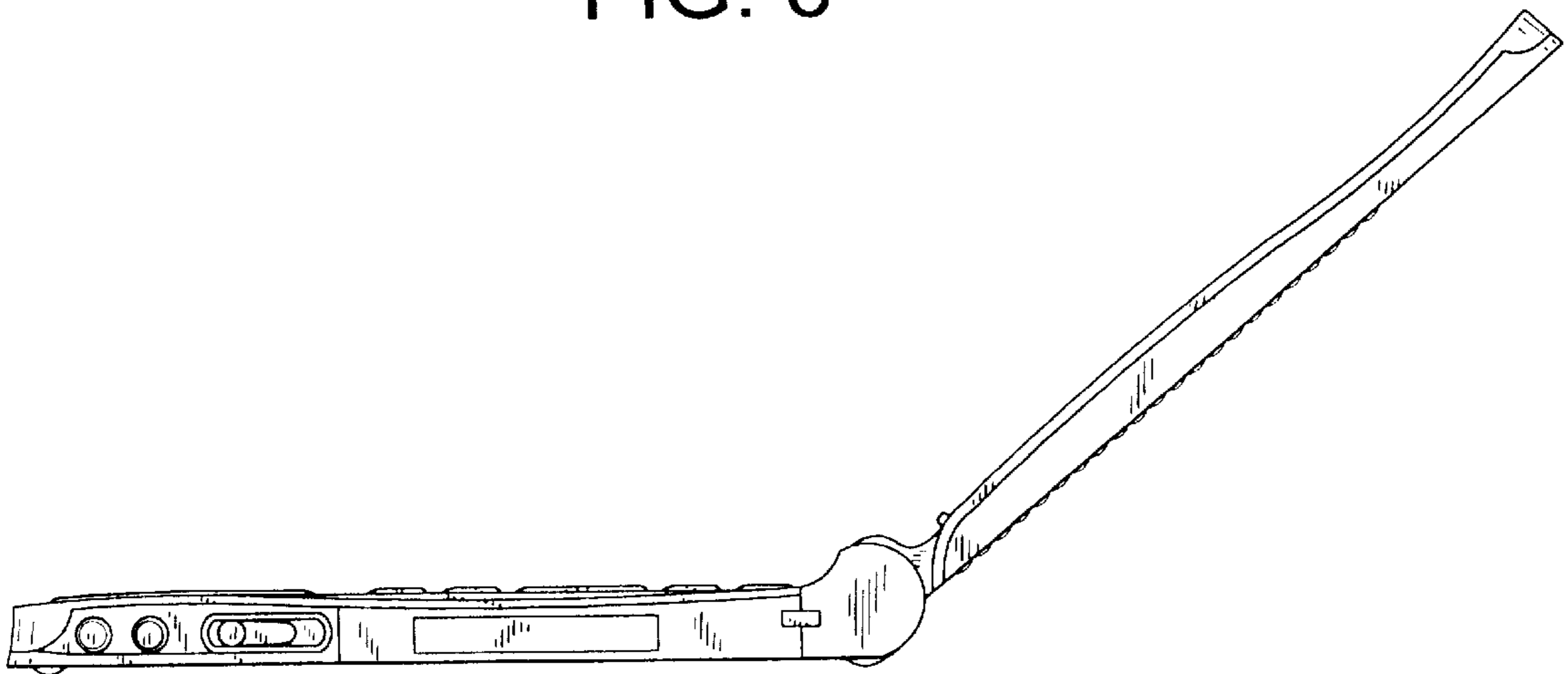


FIG. 7

