



US00D419965S

# United States Patent [19] Carpenter, Jr.

[11] **Patent Number: Des. 419,965**  
[45] **Date of Patent: \*\* \*Feb. 1, 2000**

[54] **DATA LINE PROTECTOR ASSEMBLY**

[75] Inventor: **Roy B. Carpenter, Jr.**, Boulder, Colo.

[73] Assignee: **Lightning Eliminators & Consultants, Inc.**, Boulder, Colo.

[\*] Notice: This patent is subject to a terminal disclaimer.

[\*\*] Term: **14 Years**

[21] Appl. No.: **29/044,461**

[22] Filed: **Sep. 25, 1995**

### Related U.S. Application Data

[63] Continuation of application No. 08/243,160, May 16, 1994, abandoned.

[51] **LOC (7) Cl.** ..... **13-03**

[52] **U.S. Cl.** ..... **D13/178; D13/147; D13/151**

[58] **Field of Search** ..... **D13/178, 147, D13/151; D14/240; 439/404, 709, 721, 723, 724, 727; 361/111, 118, 823**

### [56] References Cited

#### U.S. PATENT DOCUMENTS

3,187,295	6/1965	Huska	339/149
4,171,861	10/1979	Hohorst	339/198
4,675,778	6/1987	Cwirzen	361/119
4,700,271	10/1987	Iio et al.	361/355
4,758,186	7/1988	Barriuso et al.	439/723
4,882,647	11/1989	Collins	361/119

4,922,374	5/1990	Mueller et al.	361/119
5,272,280	12/1993	Cosley et al.	361/119 X
5,318,461	6/1994	Frikkee et al.	439/715
5,324,211	6/1994	Siemon et al.	439/404
5,341,269	8/1994	Haywad et al.	361/119
5,457,592	10/1995	Smith	361/119
5,508,873	4/1996	Knapp et al.	361/119

*Primary Examiner*—Joel Sincavage  
*Attorney, Agent, or Firm*—Rick Martin

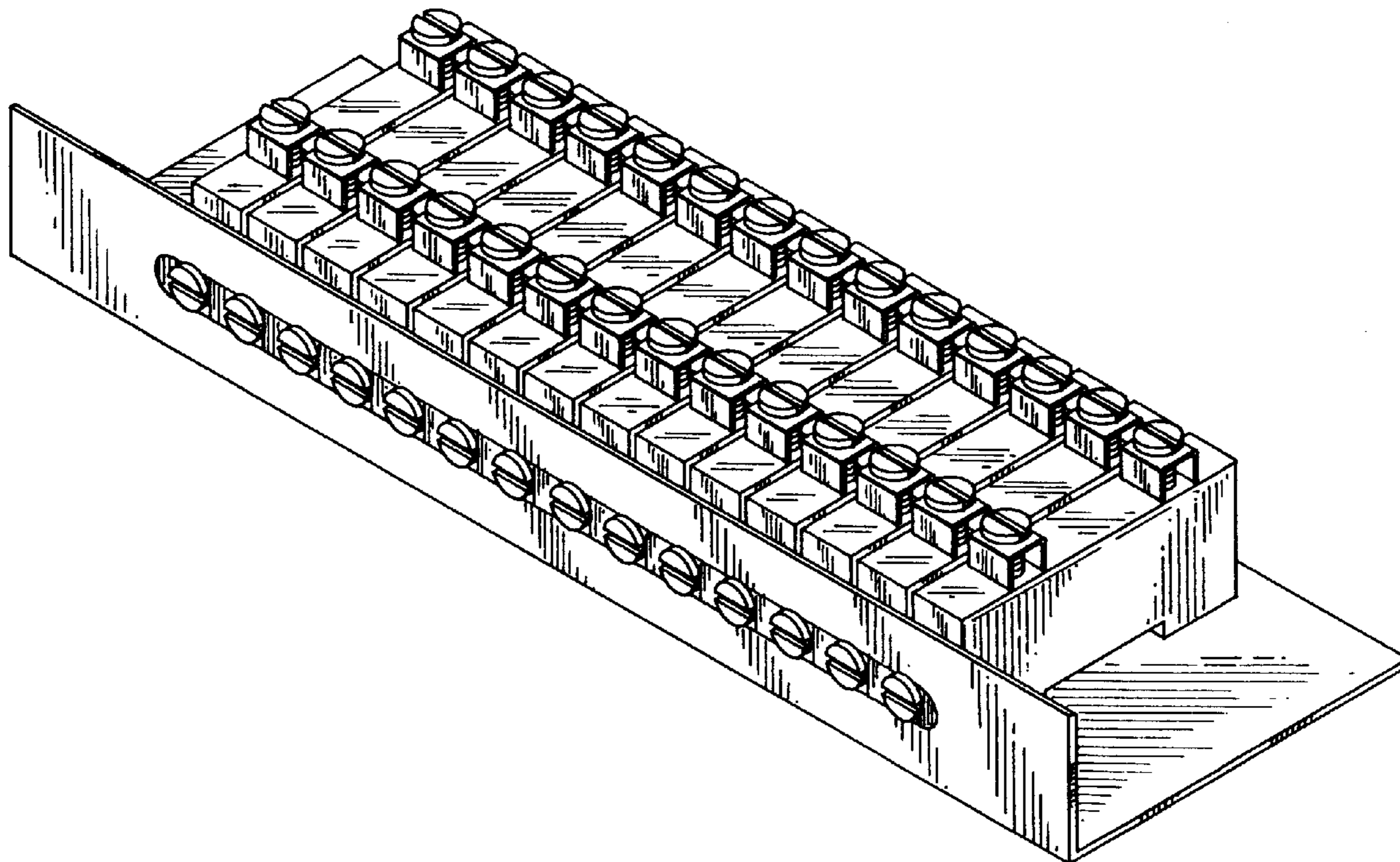
### [57] CLAIM

The ornamental design for a data line protector assembly, as shown and described.

### DESCRIPTION

FIG. 1 is a front elevational view of a data line protector assembly showing my new design, the adjacent modules and the mounting plate being omitted for clarity of illustration; FIG. 2 is a back elevational view thereof; FIG. 3 is a left side elevational view thereof; FIG. 4 is a right side elevational view thereof; FIG. 5 is a bottom plan view thereof; FIG. 6 is a top plan view thereof; FIG. 7 is a front and upper right perspective view thereof; FIG. 8 is a front and upper right perspective view of the complete data line protector assembly; FIG. 9 is a front elevational view thereof; FIG. 10 is a back elevational view thereof; FIG. 11 is a left side elevational view thereof; FIG. 12 is a right side elevational view thereof; FIG. 13 is a top plan view thereof; and, FIG. 14 is a bottom plan view thereof.

**1 Claim, 3 Drawing Sheets**



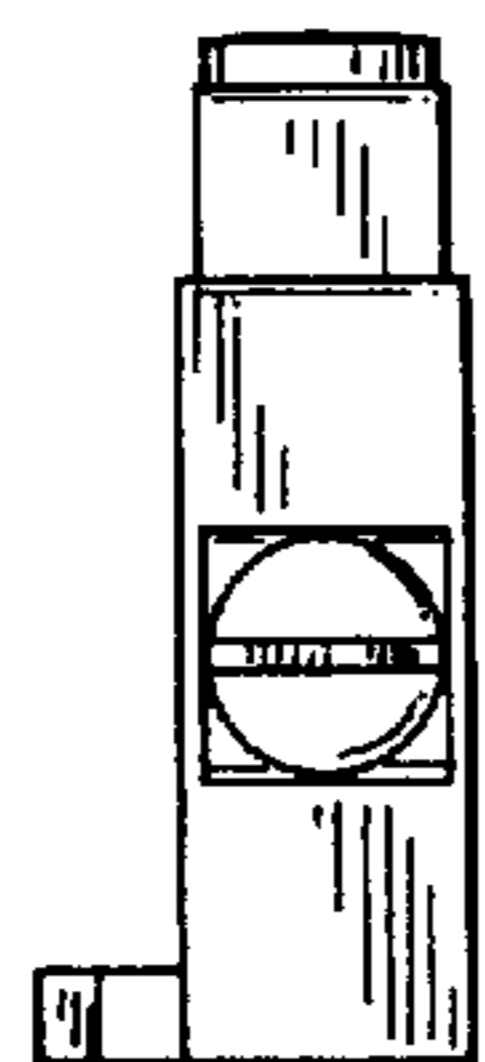


FIG. 1



FIG. 2

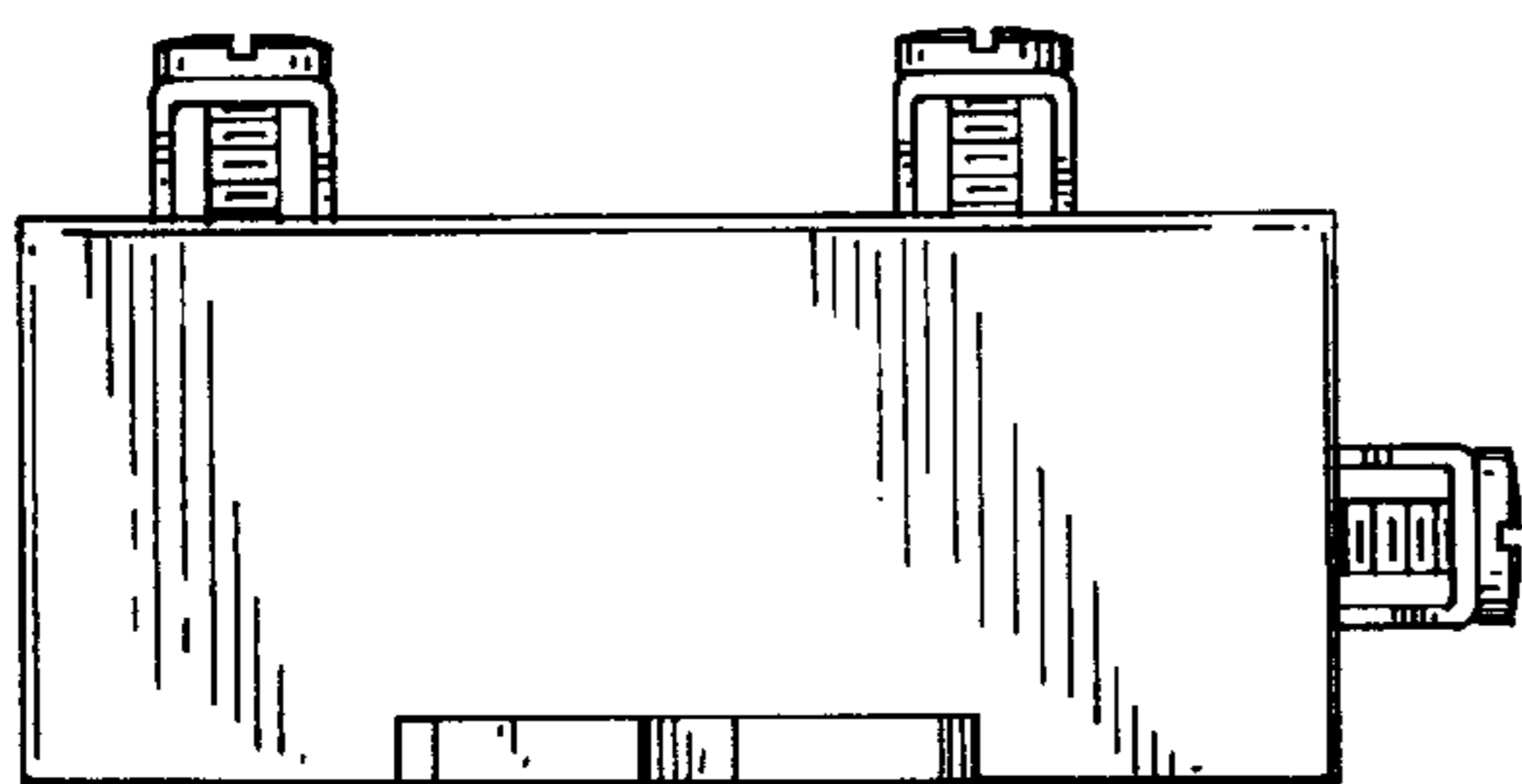


FIG. 3

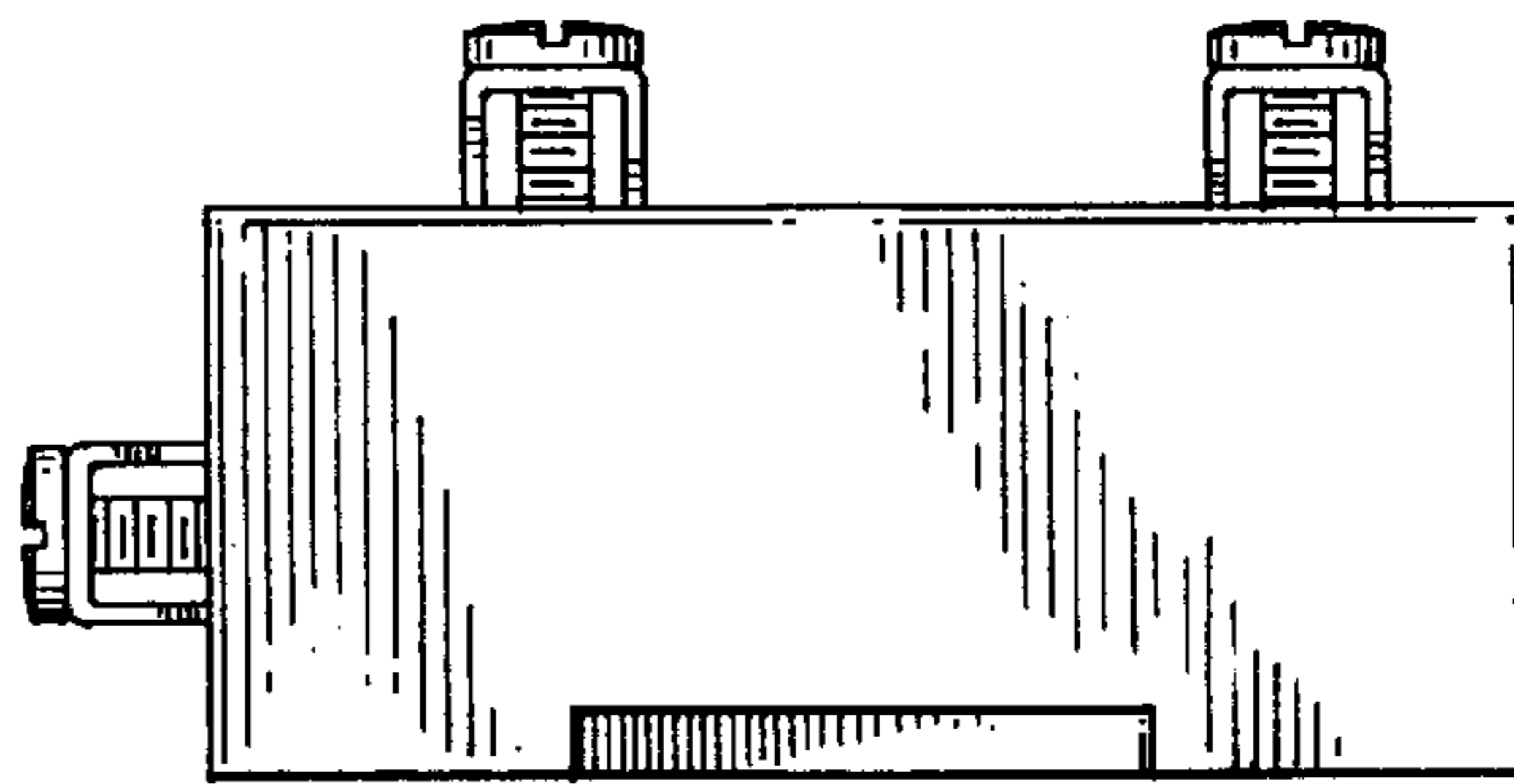


FIG. 4

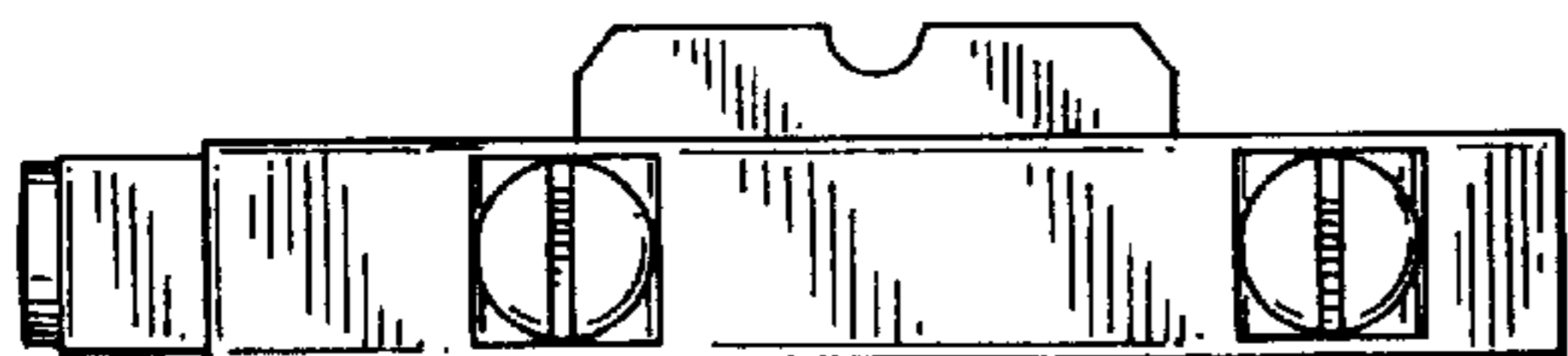


FIG. 6

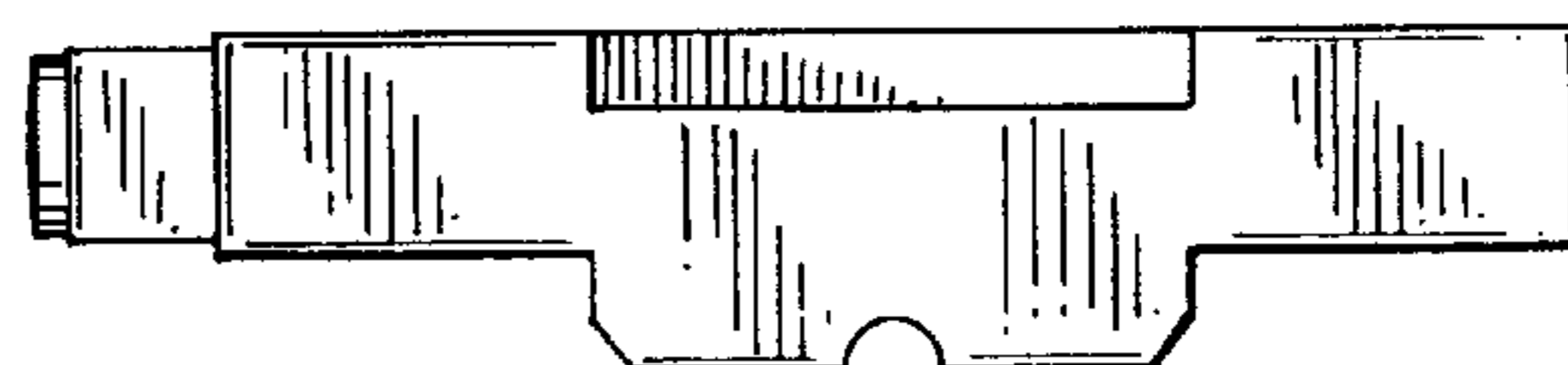


FIG. 5

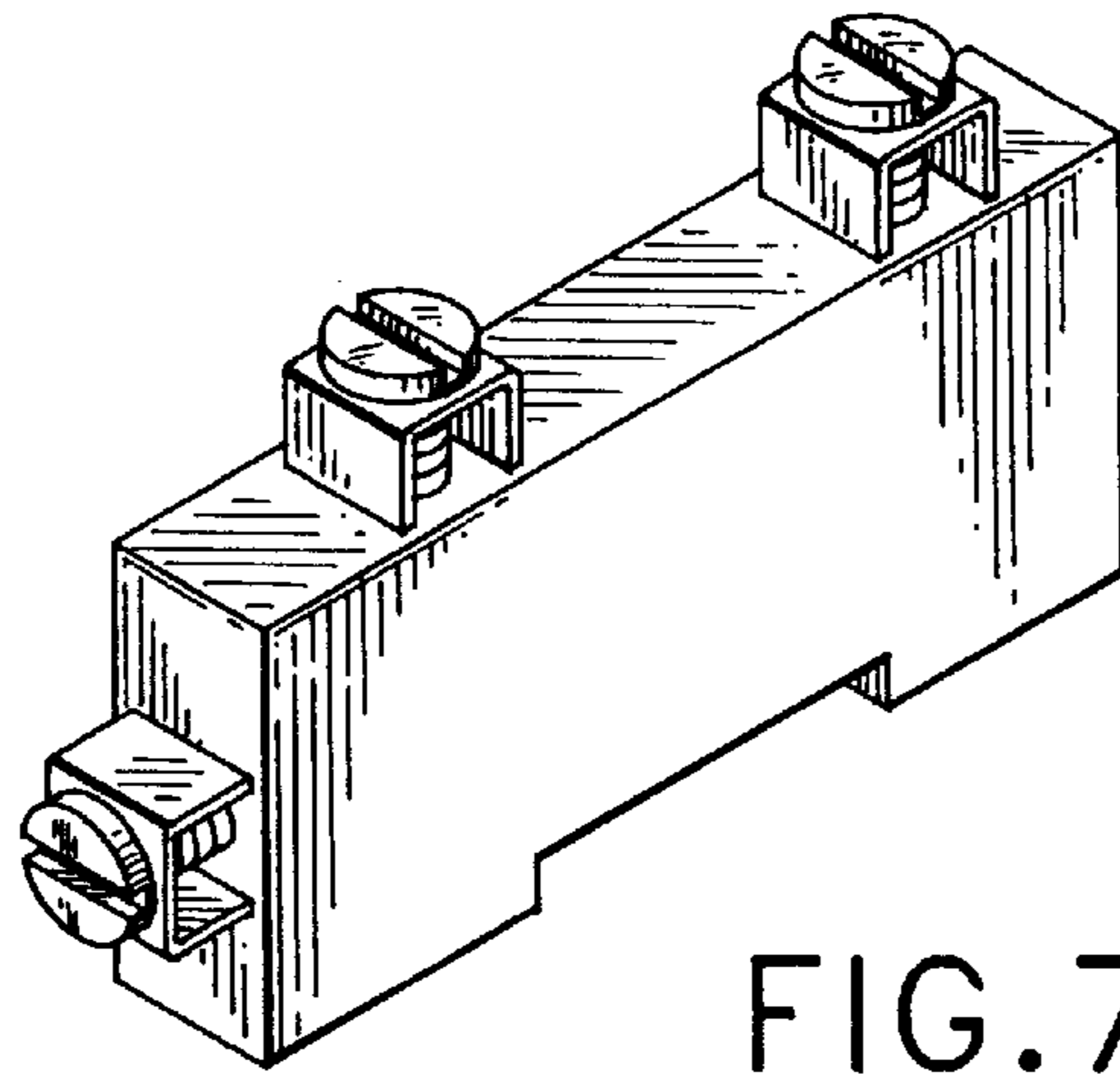


FIG. 7

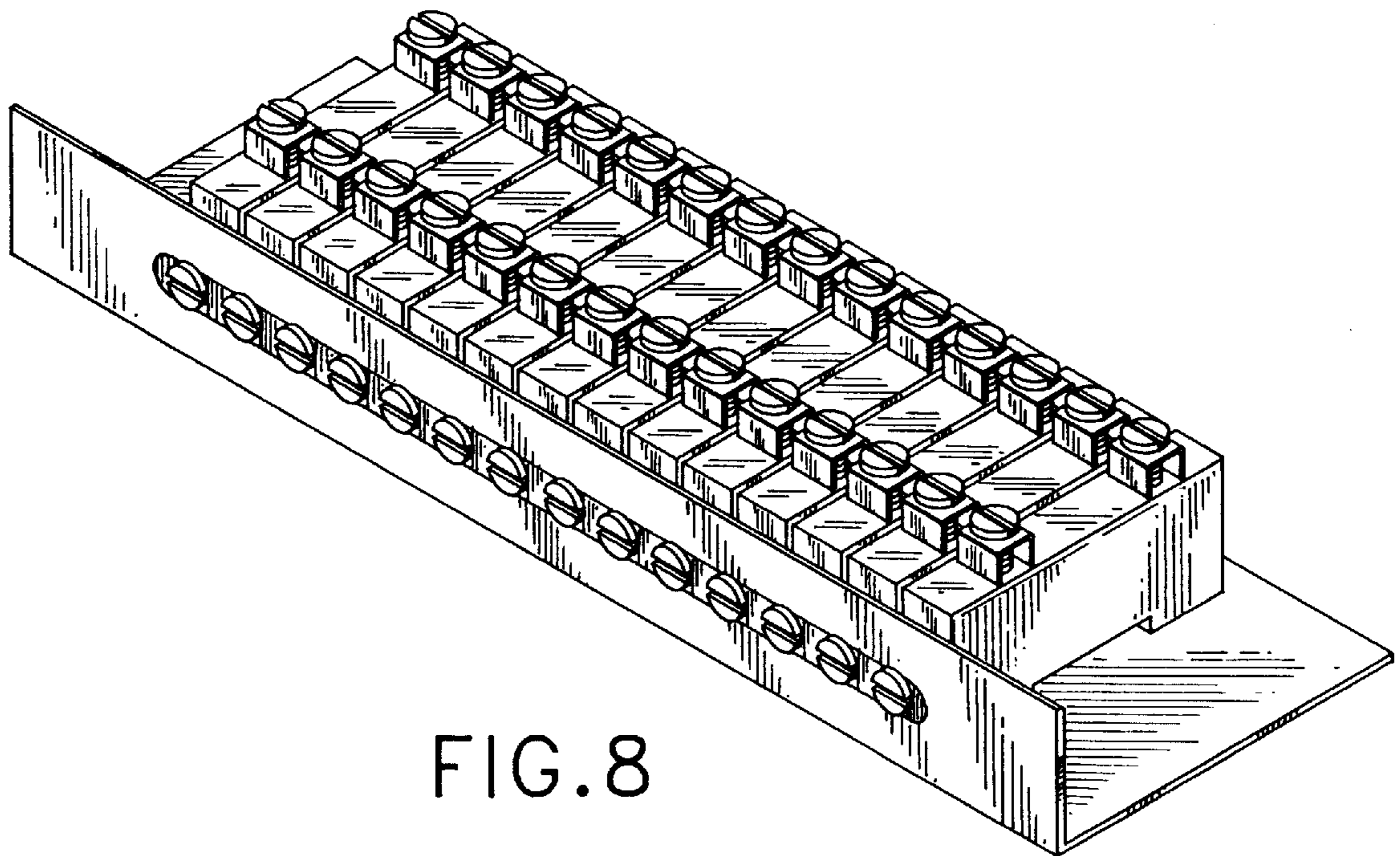


FIG. 8

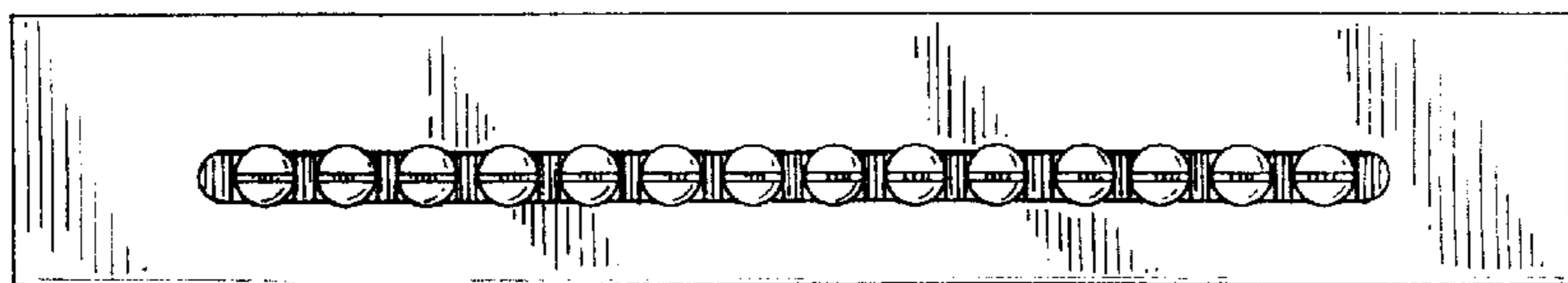


FIG. 9

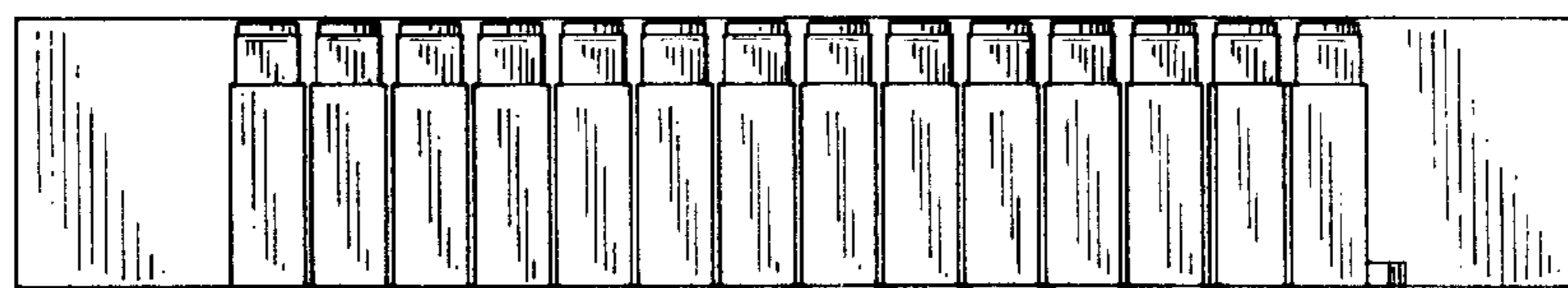


FIG. 10

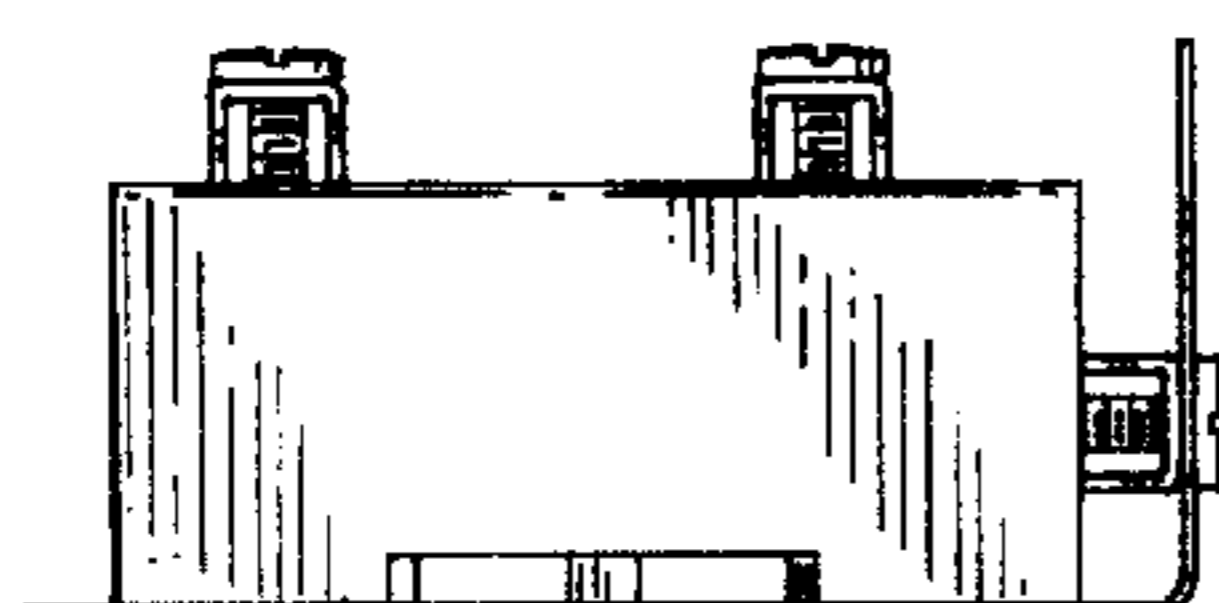


FIG. 11

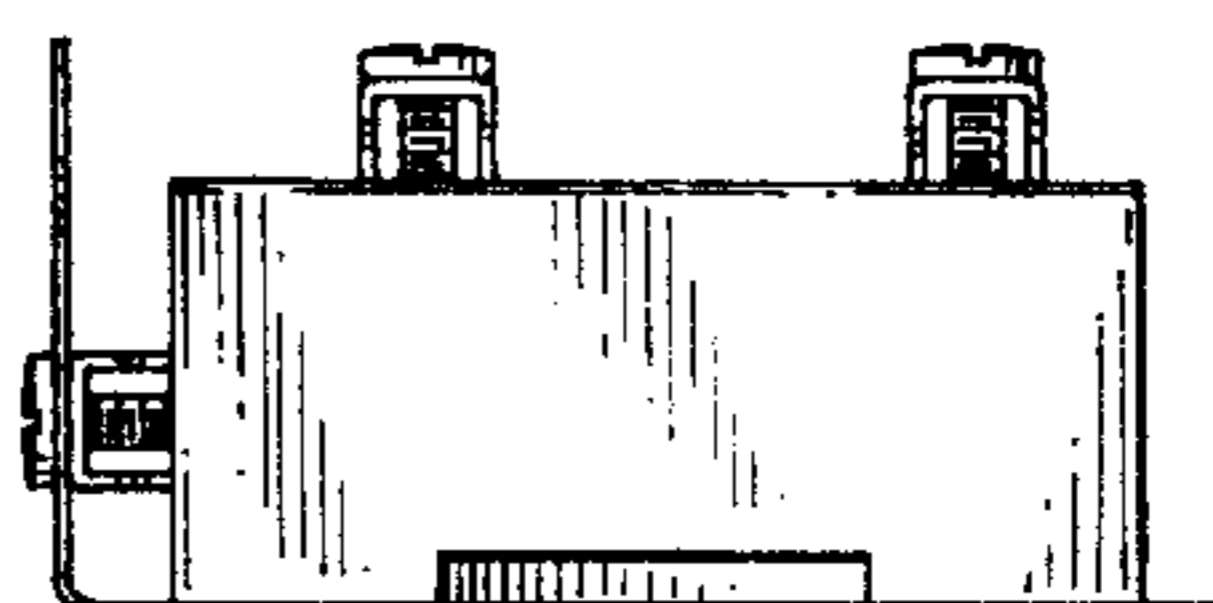


FIG. 12

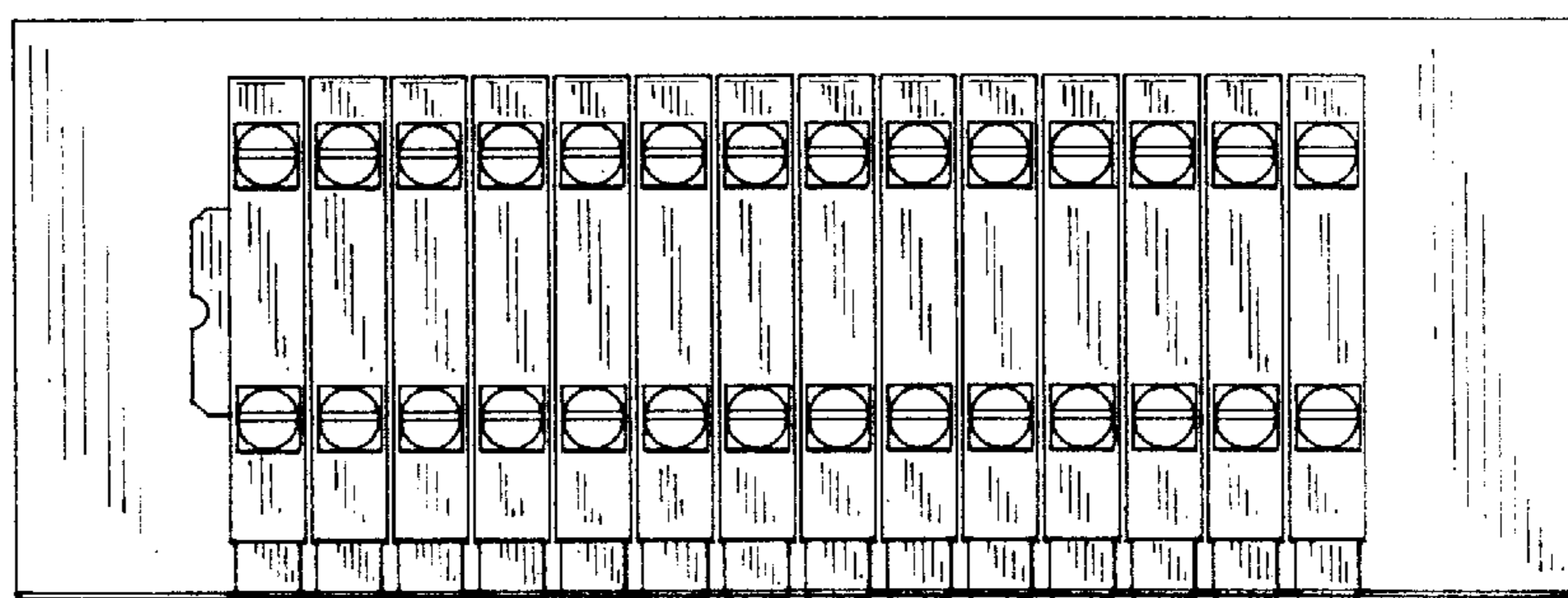


FIG. 13

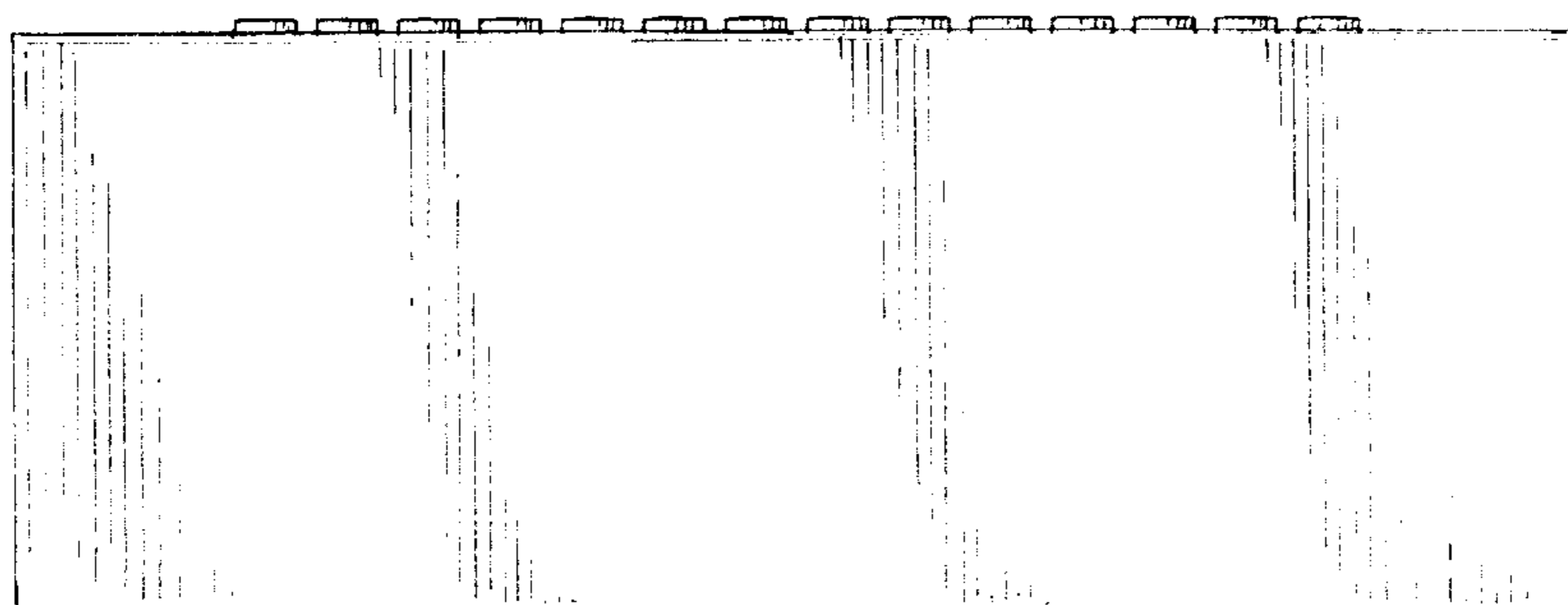


FIG. 14