



US00D419962S

# United States Patent [19] Caveney

[11] Patent Number: **Des. 419,962**

[45] Date of Patent: **\*\* Feb. 1, 2000**

[54] RACEWAY OUTLET STATION

[75] Inventor: **Jack E. Caveney**, Hinsdale, Ill.

[73] Assignee: **Panduit Corp.**, Tinley Park, Ill.

[\*\*] Term: **14 Years**

[21] Appl. No.: **29/082,018**

[22] Filed: **Jan. 13, 1998**

[51] LOC (7) Cl. .... **13-03**

[52] U.S. Cl. .... **D13/155; D13/152**

[58] Field of Search ..... D13/152, 155;  
174/68.3, 72 A, 101; 138/92, 157, 162,  
163

### [56] References Cited

#### U.S. PATENT DOCUMENTS

- D. 292,396 10/1987 Bramwell .
- D. 294,689 3/1988 Bramwell .
- D. 305,530 1/1990 Strand et al. .... D13/152
- D. 318,738 7/1991 Clodfelter, Sr. .
- D. 333,652 3/1993 Feldman et al. .
- D. 348,870 7/1994 Warrington ..... D13/152
- D. 402,262 12/1998 Scherer et al. .... D13/155
- D. 405,422 2/1999 Tennefoss et al. .... D13/152
- 3,721,762 3/1973 Gooding .
- 3,769,445 10/1973 Bregenzer .
- 4,367,417 1/1983 Cassanta .
- 4,618,741 10/1986 Bramwell .
- 4,874,322 10/1989 Dola et al. .
- 4,952,163 8/1990 Dola et al. .
- 5,024,614 6/1991 Dola et al. .
- 5,086,194 2/1992 Bruinsma .
- 5,274,972 1/1994 Hansen .
- 5,336,849 8/1994 Whitney .
- 5,357,055 10/1994 Sireci .
- 5,486,650 1/1996 Yetter .
- 5,594,208 1/1997 Cancellieri et al. .
- 5,606,919 3/1997 Fox et al. .
- 5,614,695 3/1997 Benito Navazo .

#### FOREIGN PATENT DOCUMENTS

- 2 488 064 7/1980 France .
- 2 232 945 7/1972 Germany .

- 28 52 483 A1 12/1978 Germany .
- 44 38 446 A1 10/1994 Germany .
- 44 38 452 A1 10/1994 Germany .
- 2 104 303 7/1981 United Kingdom .
- 2 137 025 2/1984 United Kingdom .

*Primary Examiner*—Joel Sincavage  
*Attorney, Agent, or Firm*—Mark D. Hilliard; Robert A. McCann; Michael J. Turgeon

### [57] CLAIM

The ornamental design for a raceway outlet station, as shown and described.

### DESCRIPTION

FIG. 1 is a left front perspective view of the raceway outlet station, the broken line showing is included for the purpose of illustrating environmental structure only and forms no part of the claimed design;

FIG. 2 is a right front perspective view of the raceway outlet station of FIG. 1;

FIG. 3 is a bottom right front perspective view of the raceway outlet station of FIG. 1;

FIG. 4 is a front elevation view of the raceway outlet station of FIG. 1;

FIG. 5 is a back elevation view of the raceway outlet station of FIG. 1;

FIG. 6 is a right elevation view of the raceway outlet station of FIG. 1;

FIG. 7 is a top view of the raceway outlet station of FIG. 1;

FIG. 8 is a left side view of the raceway outlet station of FIG. 1;

FIG. 9 is a bottom view of the raceway outlet station of FIG. 1;

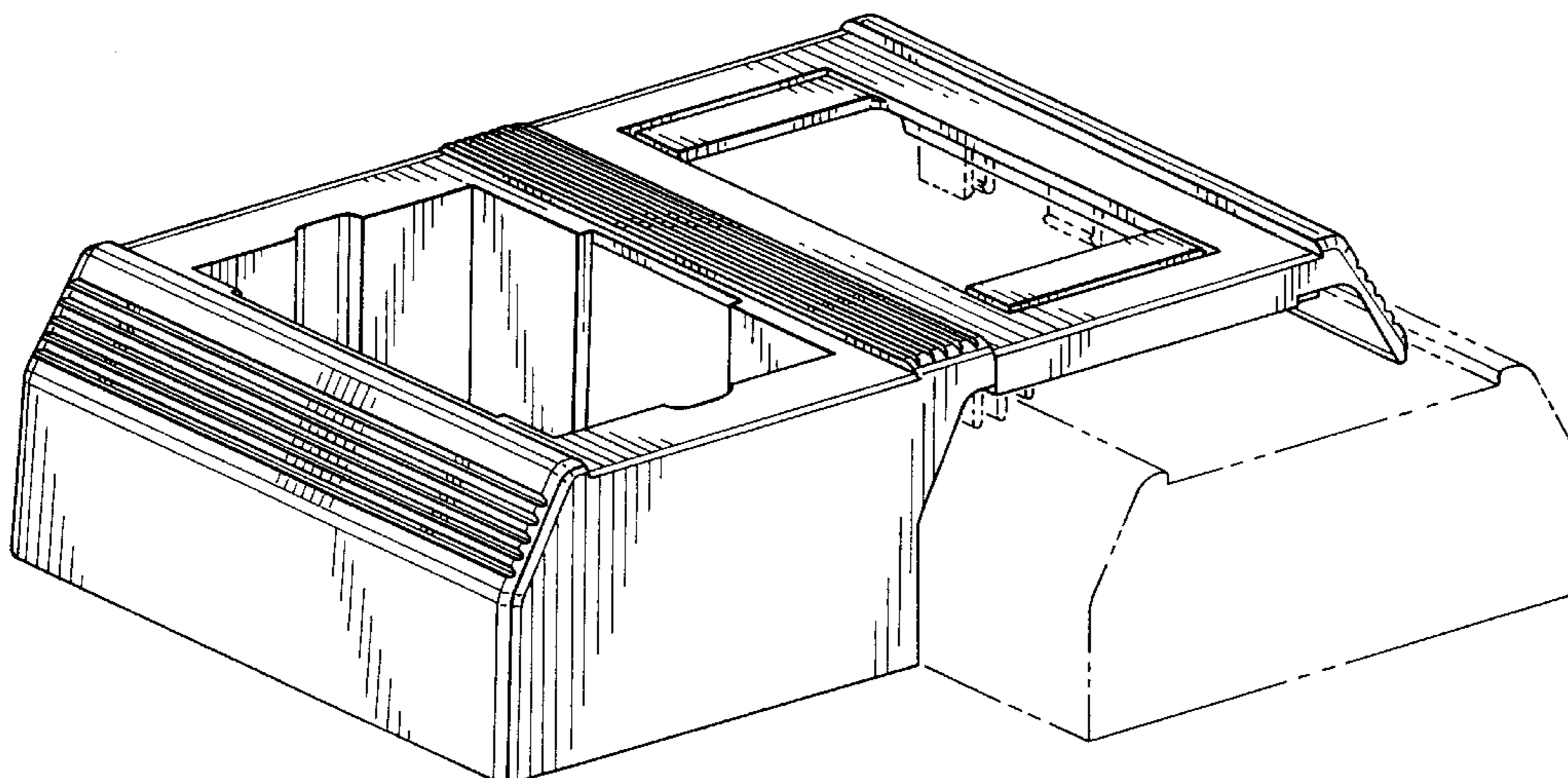
FIG. 10 is an exploded front view of the raceway outlet station of FIG. 1;

FIG. 11 is an exploded bottom view of the raceway outlet station of FIG. 1;

FIG. 12 is an enlarged fragmentary sectional view of the mirror image left and right inclined walls of the raceway outlet station of FIG. 1; and,

FIG. 13 is an enlarged fragmentary sectional view of the top middle section of the raceway outlet station of FIG. 1.

**1 Claim, 8 Drawing Sheets**



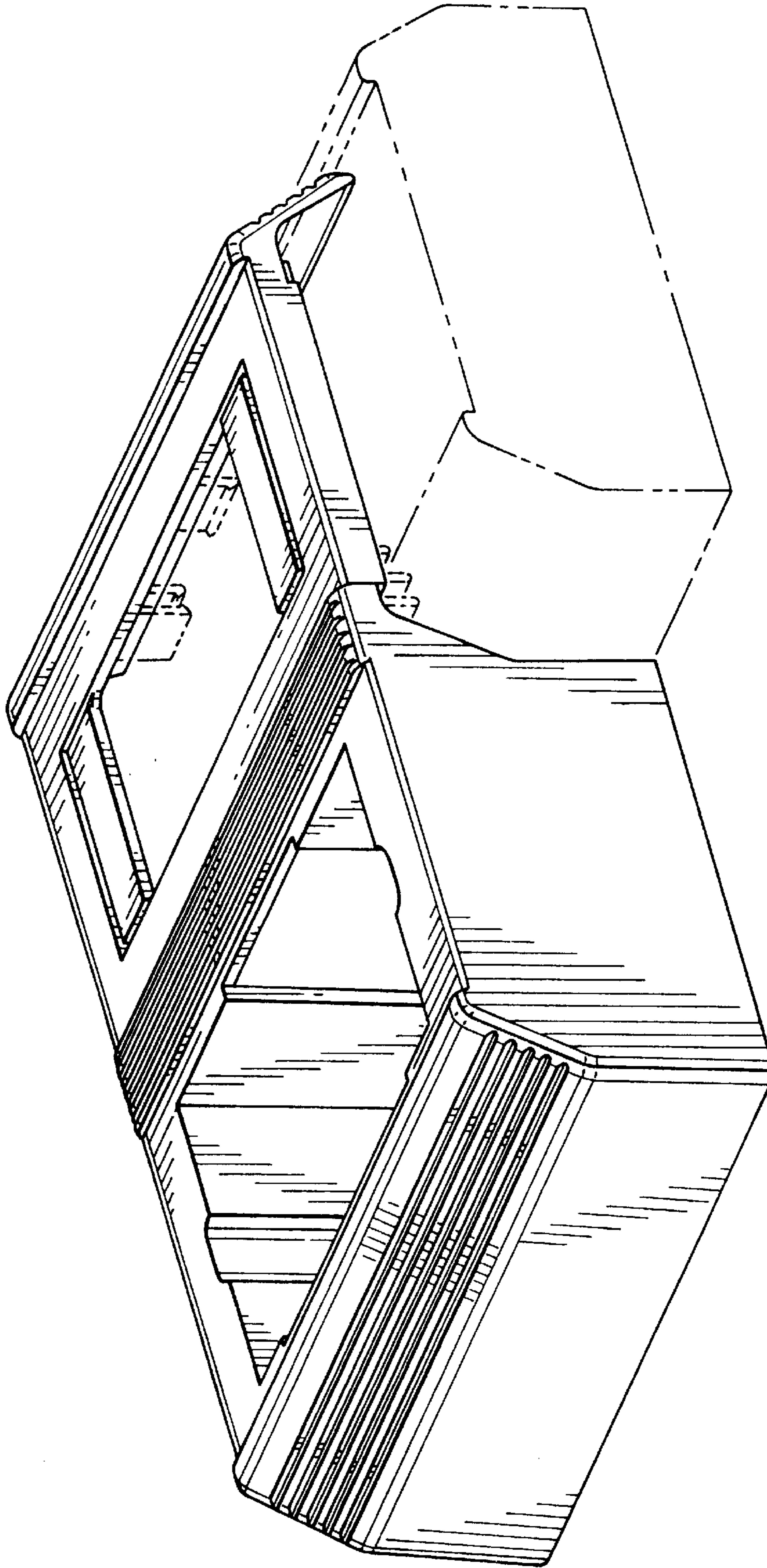


FIG. 1



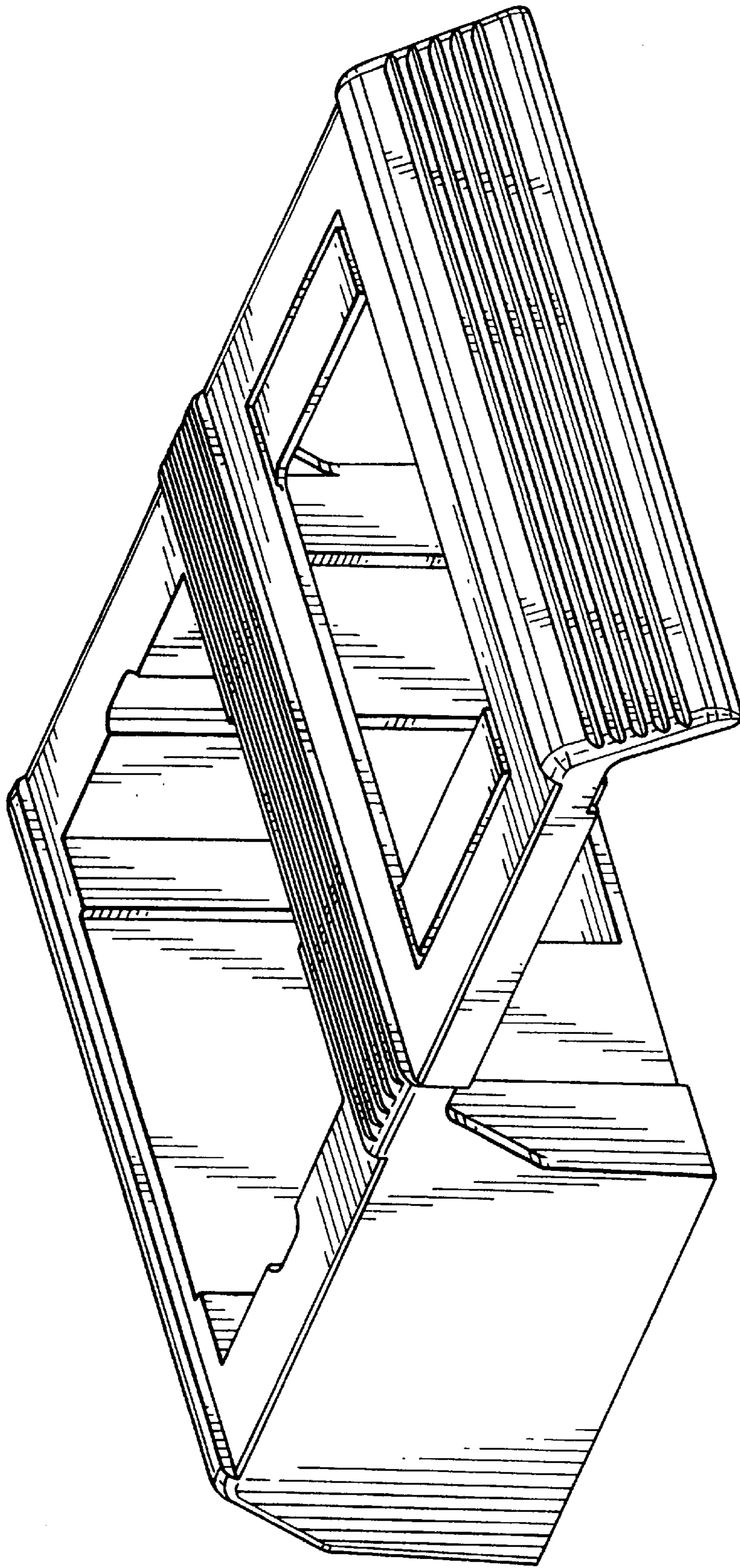


FIG. 2

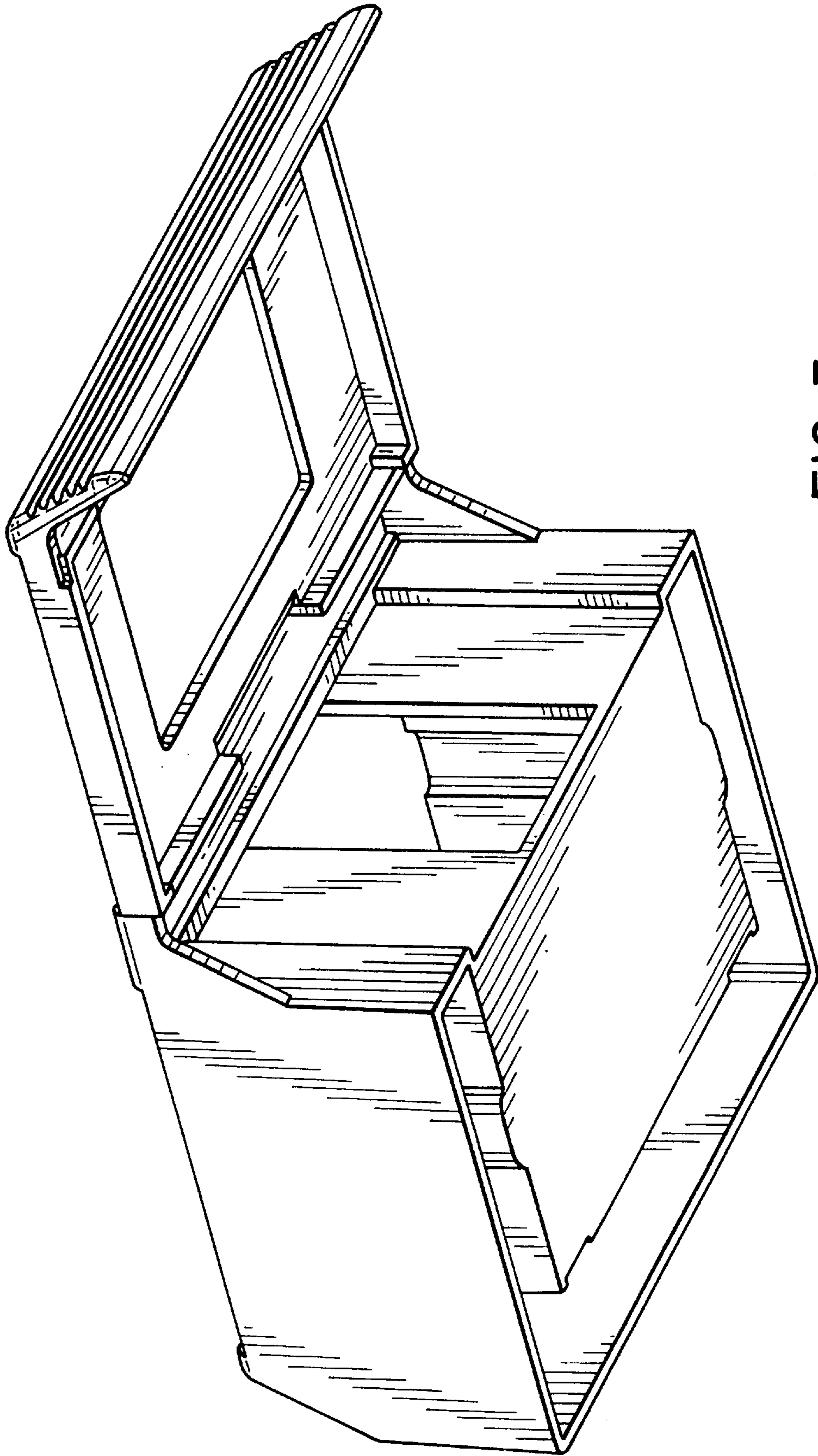


FIG. 3

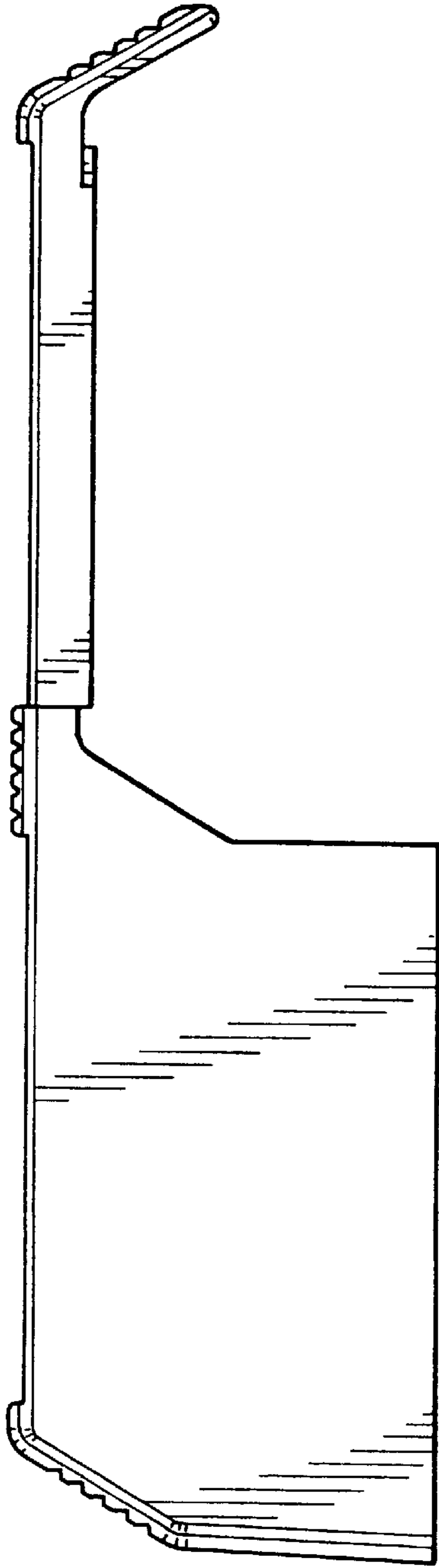


FIG. 4

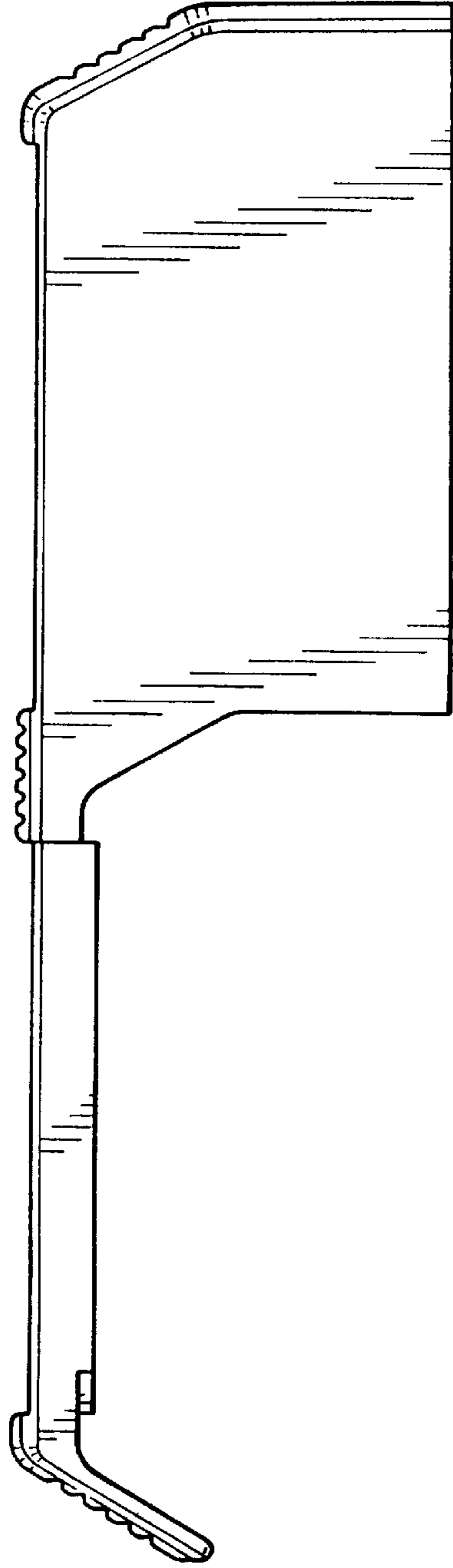


FIG. 5

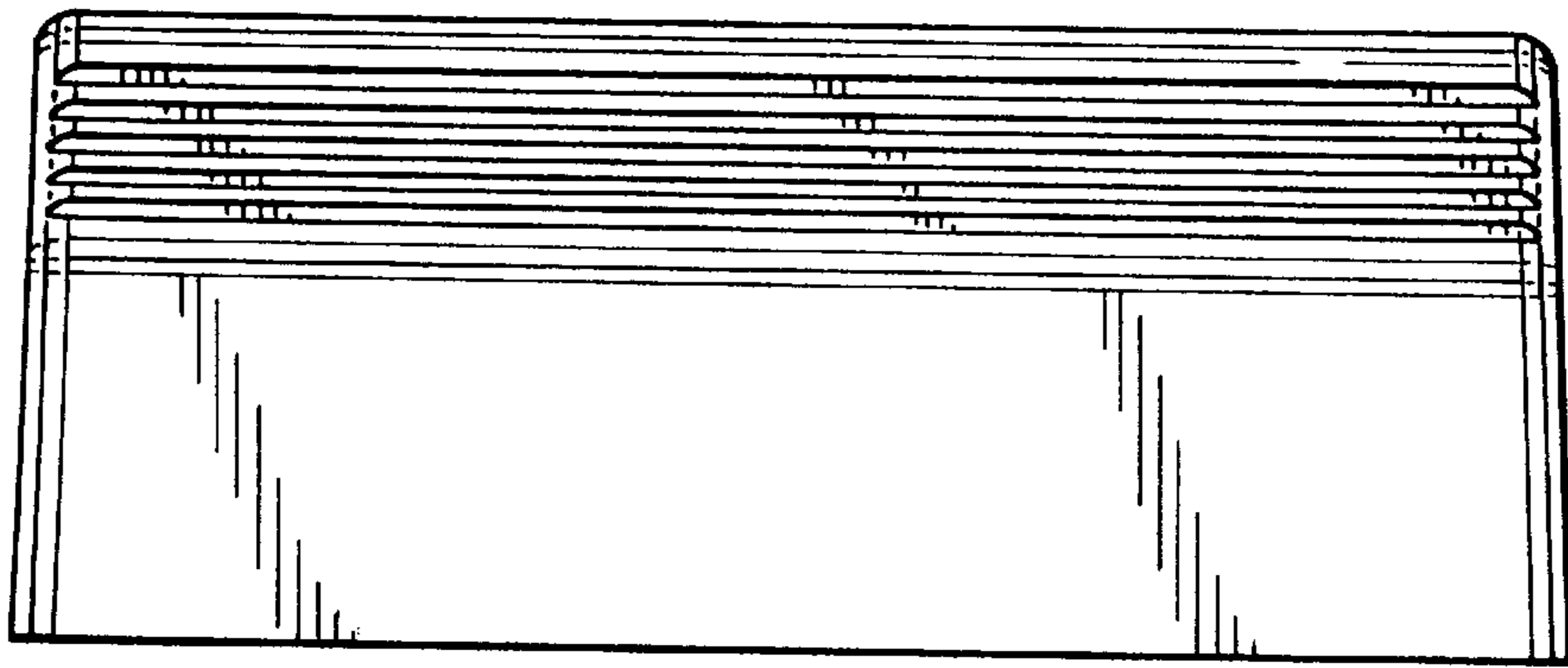


FIG. 6

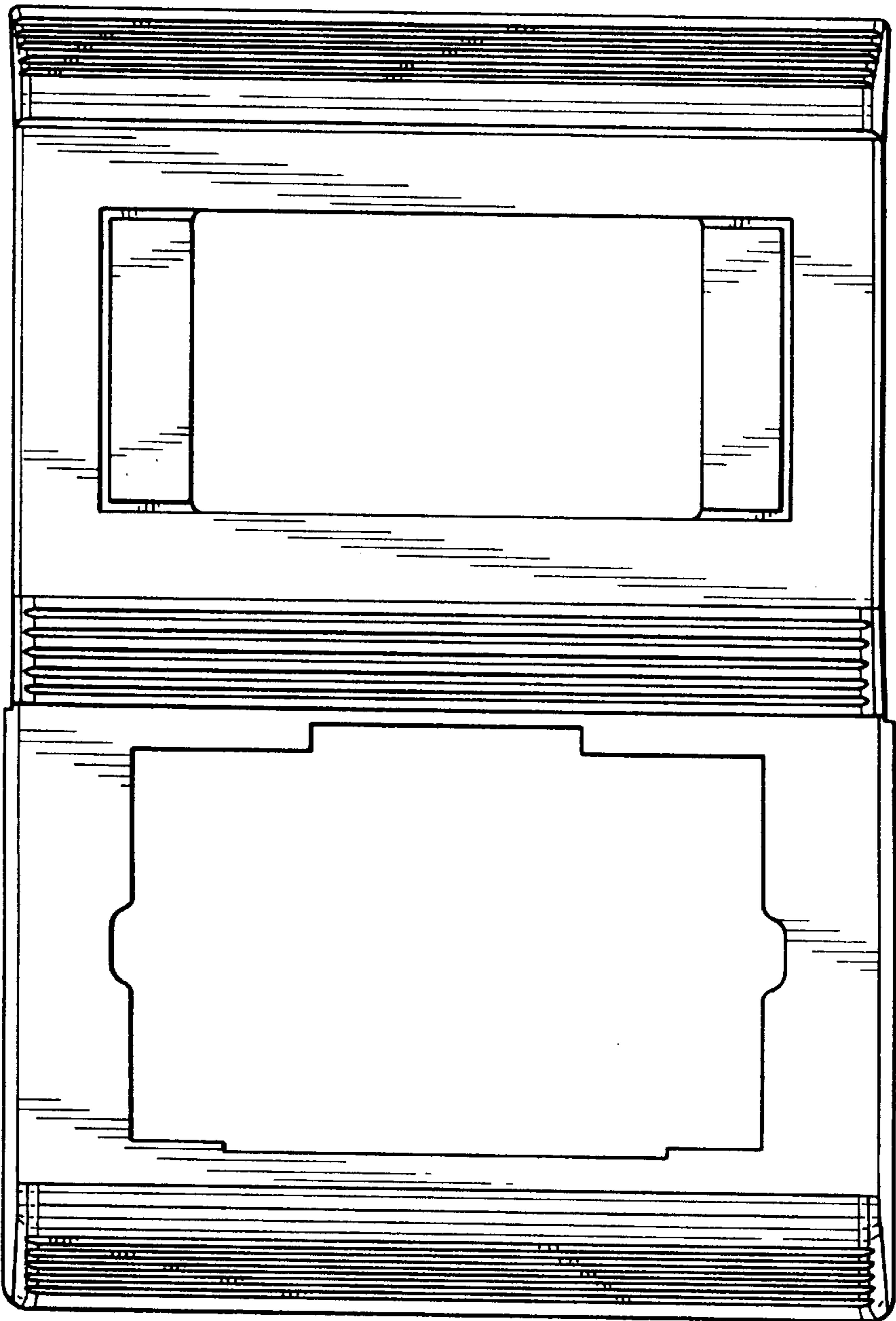


FIG. 7

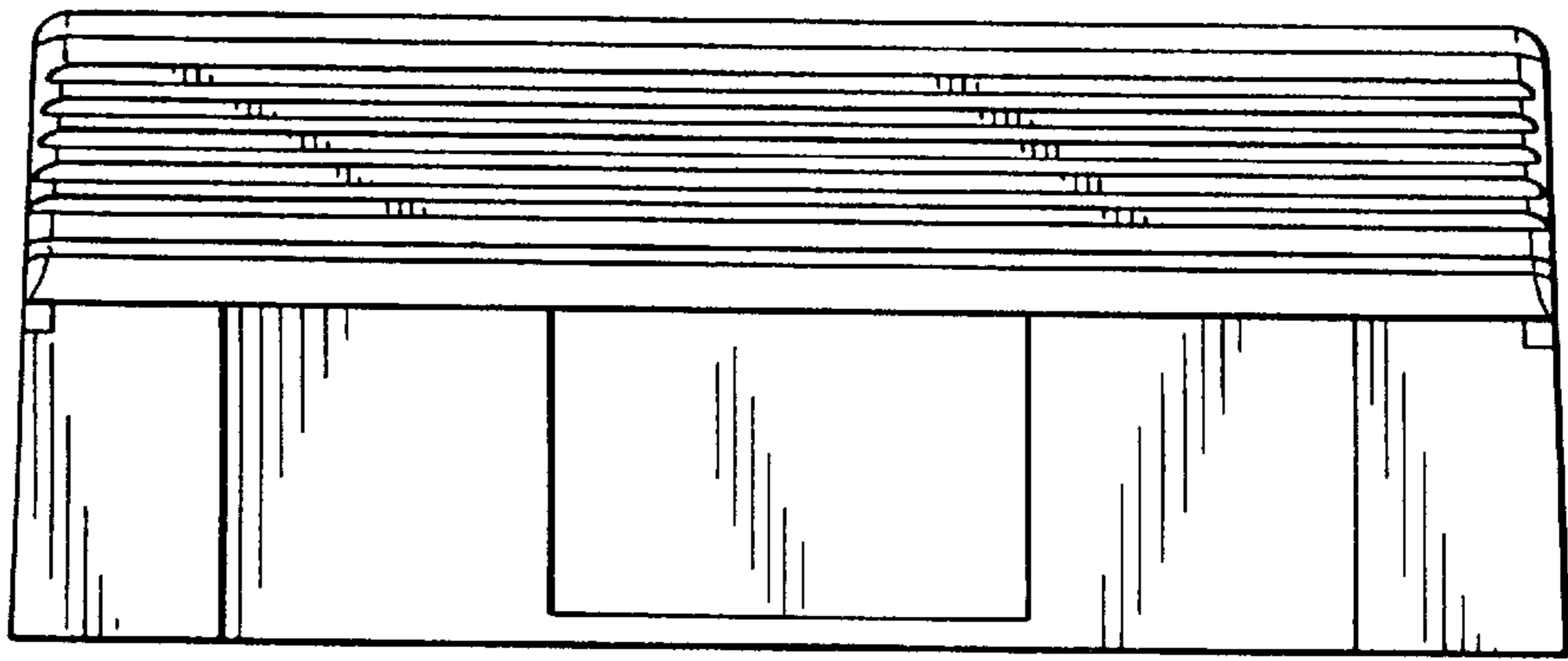


FIG. 8

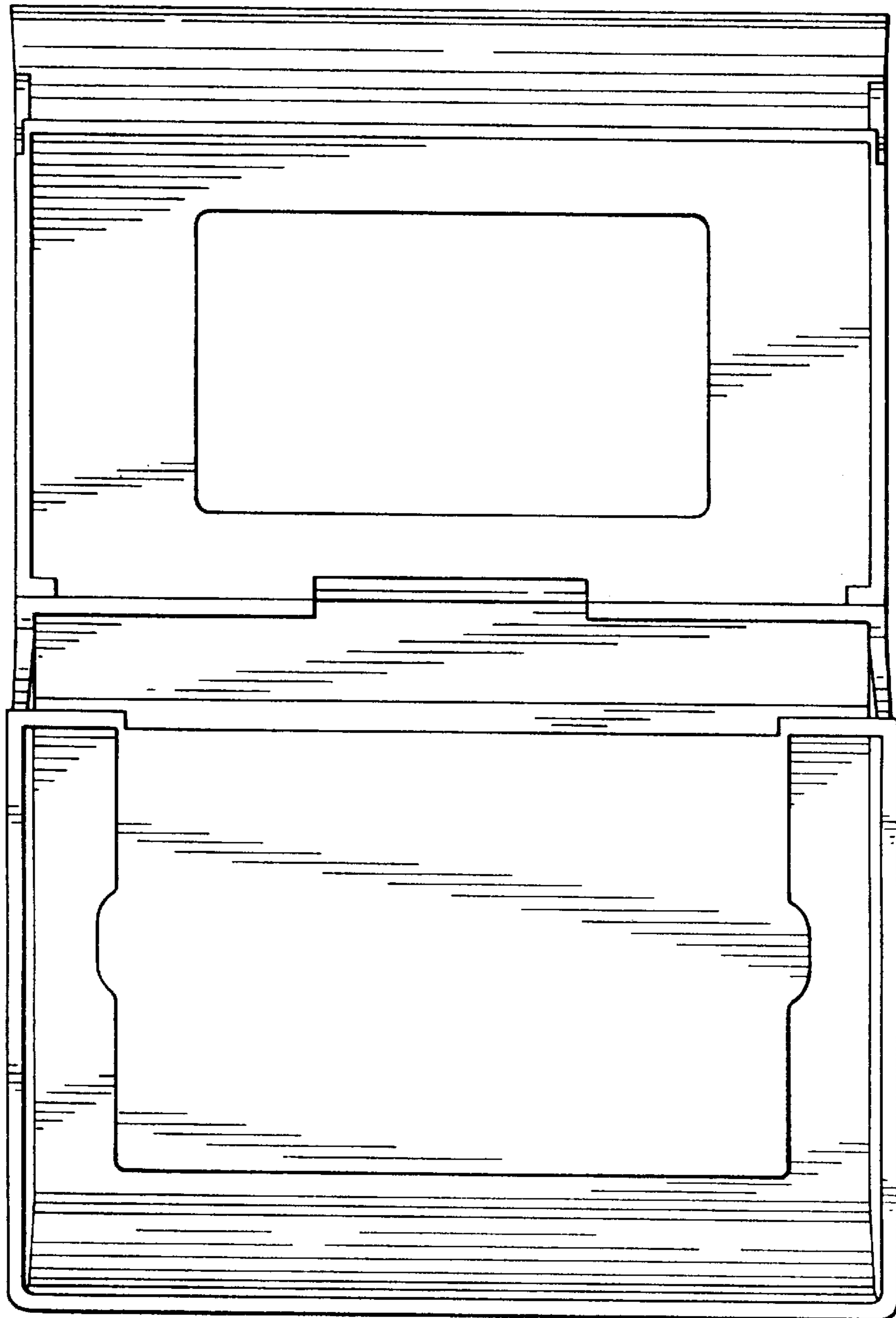


FIG. 9



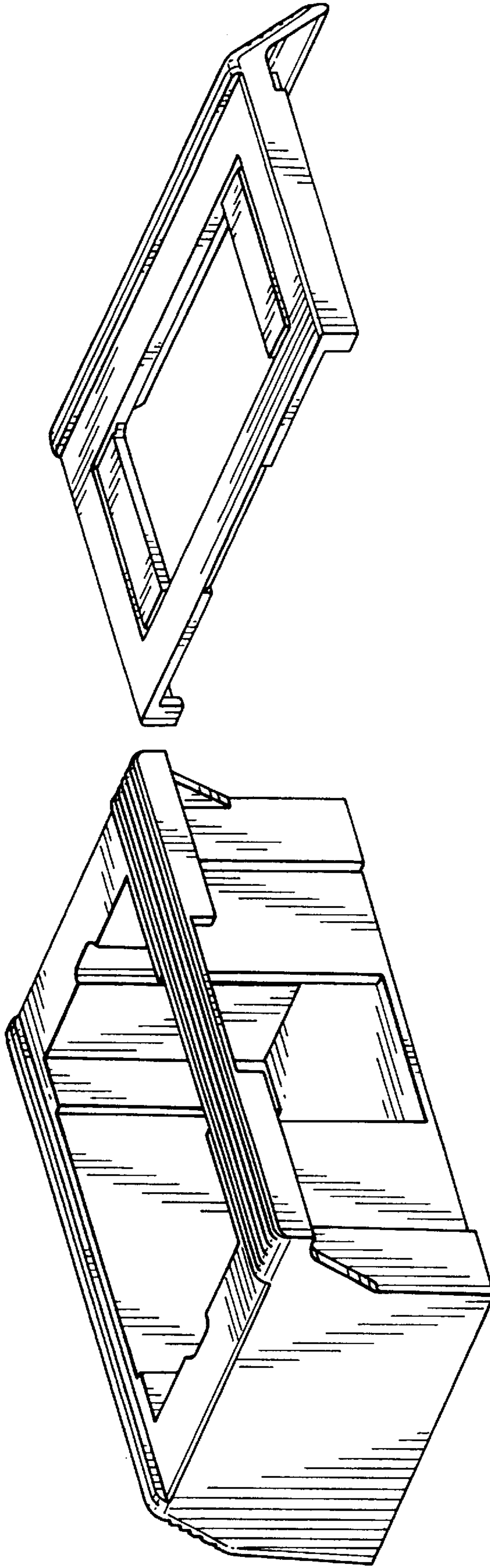


FIG. 10

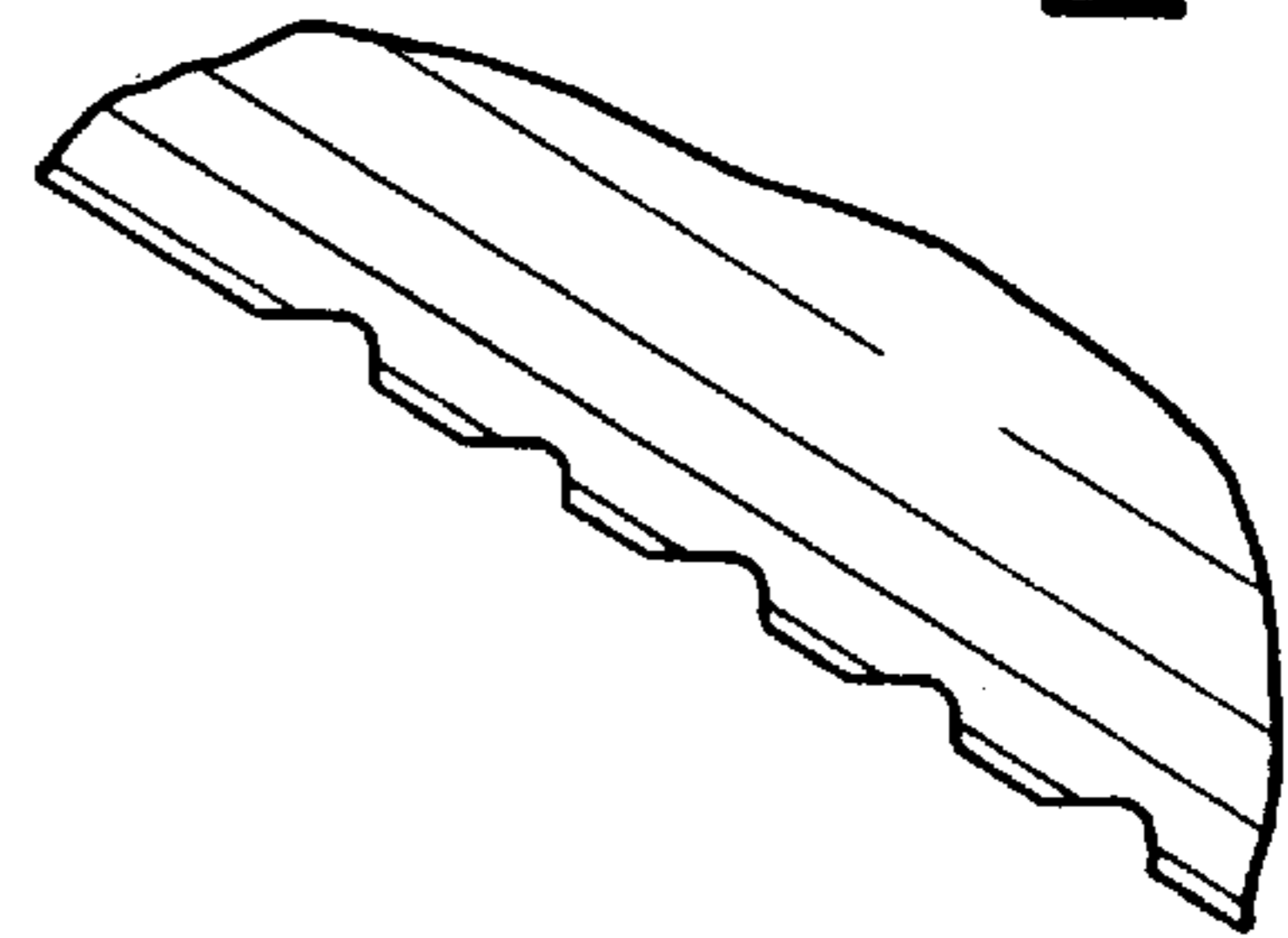


FIG. 12



FIG. 13



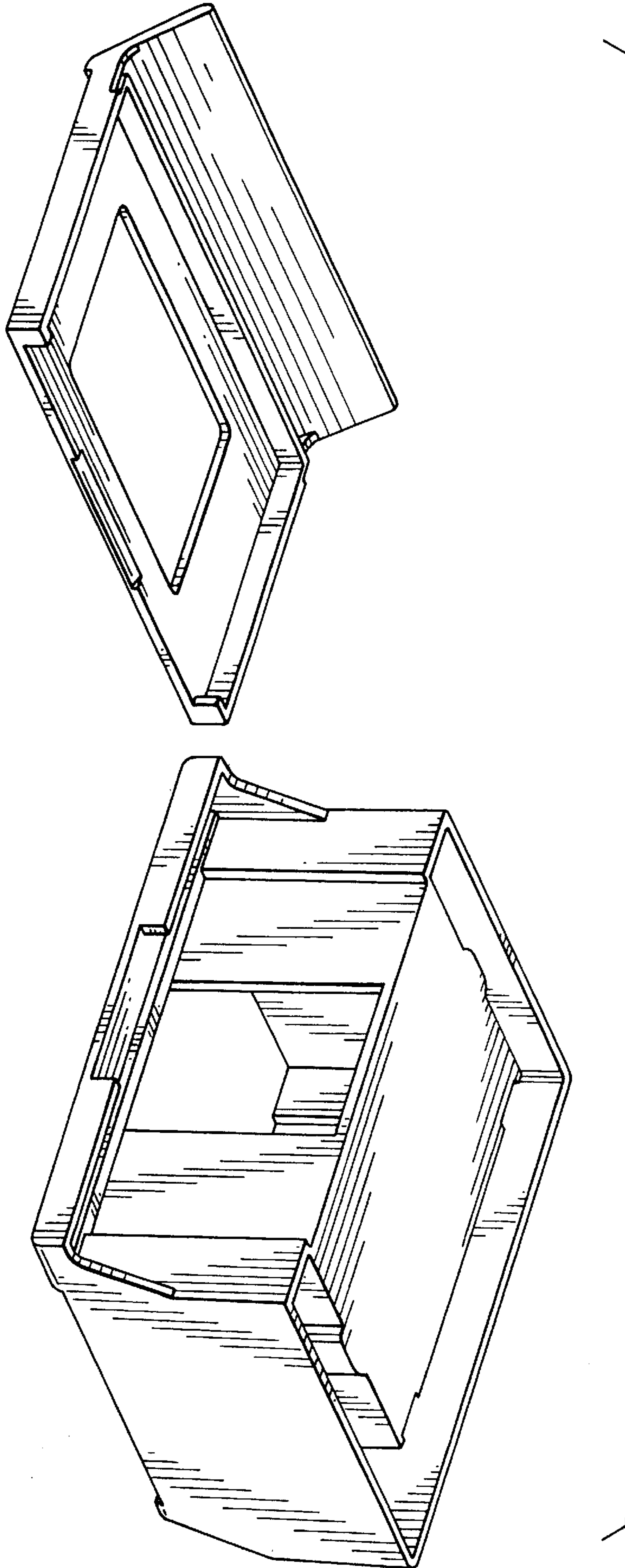


FIG. II