



US00D419959S

# United States Patent [19]

[11] **Patent Number: Des. 419,959**

**Amoroso**

[45] **Date of Patent: \*\* Feb. 1, 2000**

[54] **CONDUCTIVE INK TRACES PATTERN ON A MEDIUM**

3,576,722	4/1971	Fennimore et al.	174/257
3,831,270	8/1974	Huddleston	174/257 X
4,725,478	2/1988	Mathias et al.	174/257 X
5,369,220	11/1994	Harada et al.	174/257

[76] Inventor: **Eugene C. Amoroso**, 9234 Lazywood Pl., Carefree, Ariz. 85377

[\*\*] Term: **14 Years**

*Primary Examiner*—Joel Sincavage  
*Attorney, Agent, or Firm*—Jordon M. Meschkow, ESQ.; Lowell W. Gresham, ESQ.; Meschkow & Gresham, P.L.C.

[21] Appl. No.: **29/096,982**

### [57] CLAIM

[22] Filed: **Nov. 25, 1998**

The ornamental design for a conductive ink traces pattern on a medium, as shown and described.

### Related U.S. Application Data

### DESCRIPTION

[63] Continuation-in-part of application No. 29/073,587, Jul. 11, 1997.

FIG. 1 is a front perspective view of a conductive ink traces pattern on a medium, showing my new design therefor, where the medium is of fabric, plastic, Mylar, metal, rubber, or wood and is shown in dotted lines;  
FIG. 2 is a frontal view therefor;  
FIG. 3 is a rear view therefor (where the medium is transparent);  
FIG. 4 is a side view therefor, showing the left side;  
FIG. 5 is a side view therefor, showing the right side;  
FIG. 6 is a top plan view therefor; and,  
FIG. 7 is a bottom plan view therefor.

[51] **LOC (7) Cl.** ..... **13-03**

[52] **U.S. Cl.** ..... **D13/133**

[58] **Field of Search** ..... D13/182, 133;  
174/257

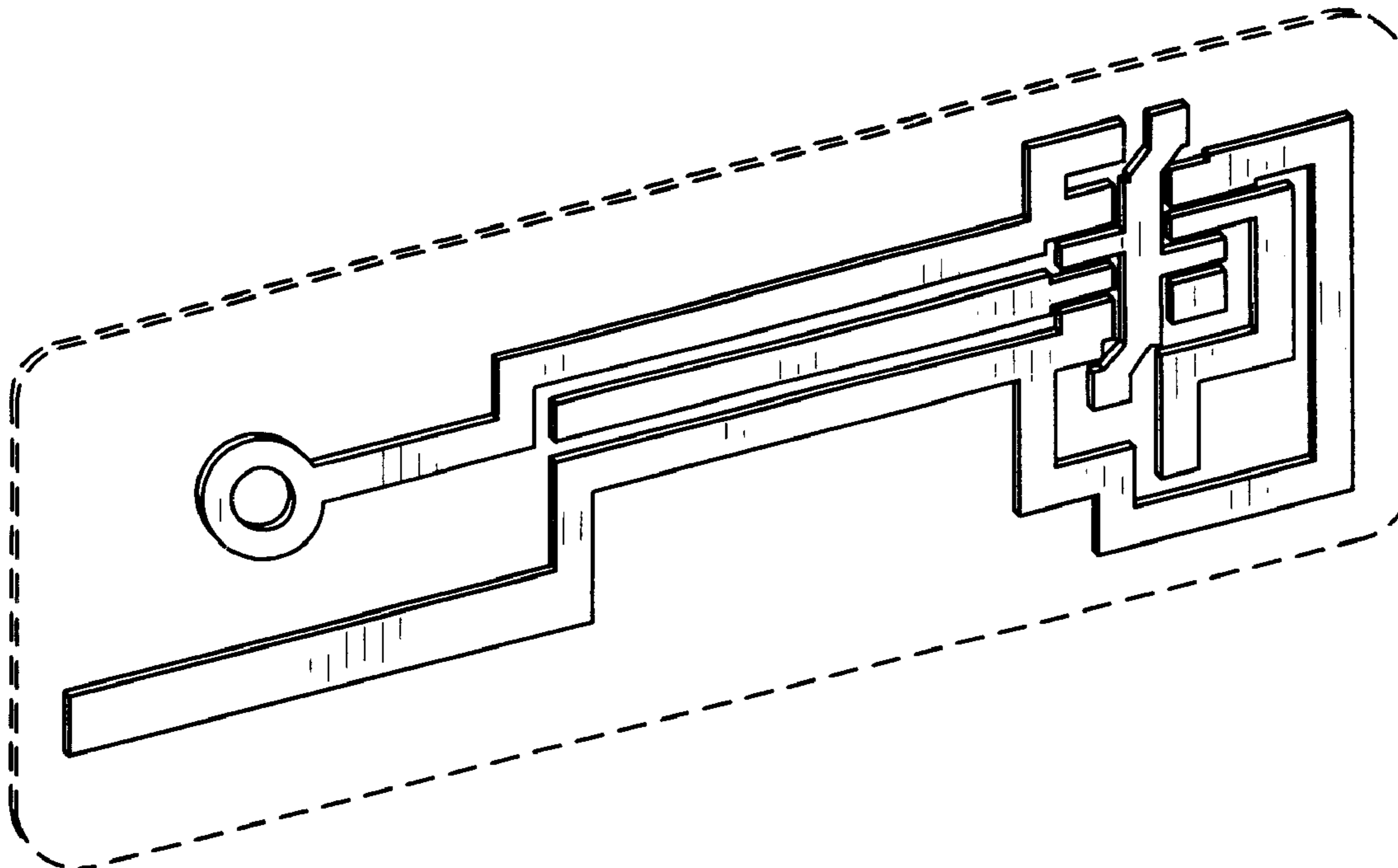
The broken line showing throughout the drawing views is included for the purpose of illustrating enviromental structure only and forms no part of the claimed design.

### [56] References Cited

#### U.S. PATENT DOCUMENTS

D. 239,833	5/1976	Rough, Jr.	D13/133
D. 254,687	4/1980	Fadler et al.	D13/182
D. 255,351	6/1980	Pettijohn	D13/182
D. 262,962	2/1982	Stumpell	D13/182
D. 319,629	9/1991	Hasegawa et al.	D13/182
3,411,205	11/1968	McGinley	174/257

**1 Claim, 1 Drawing Sheet**



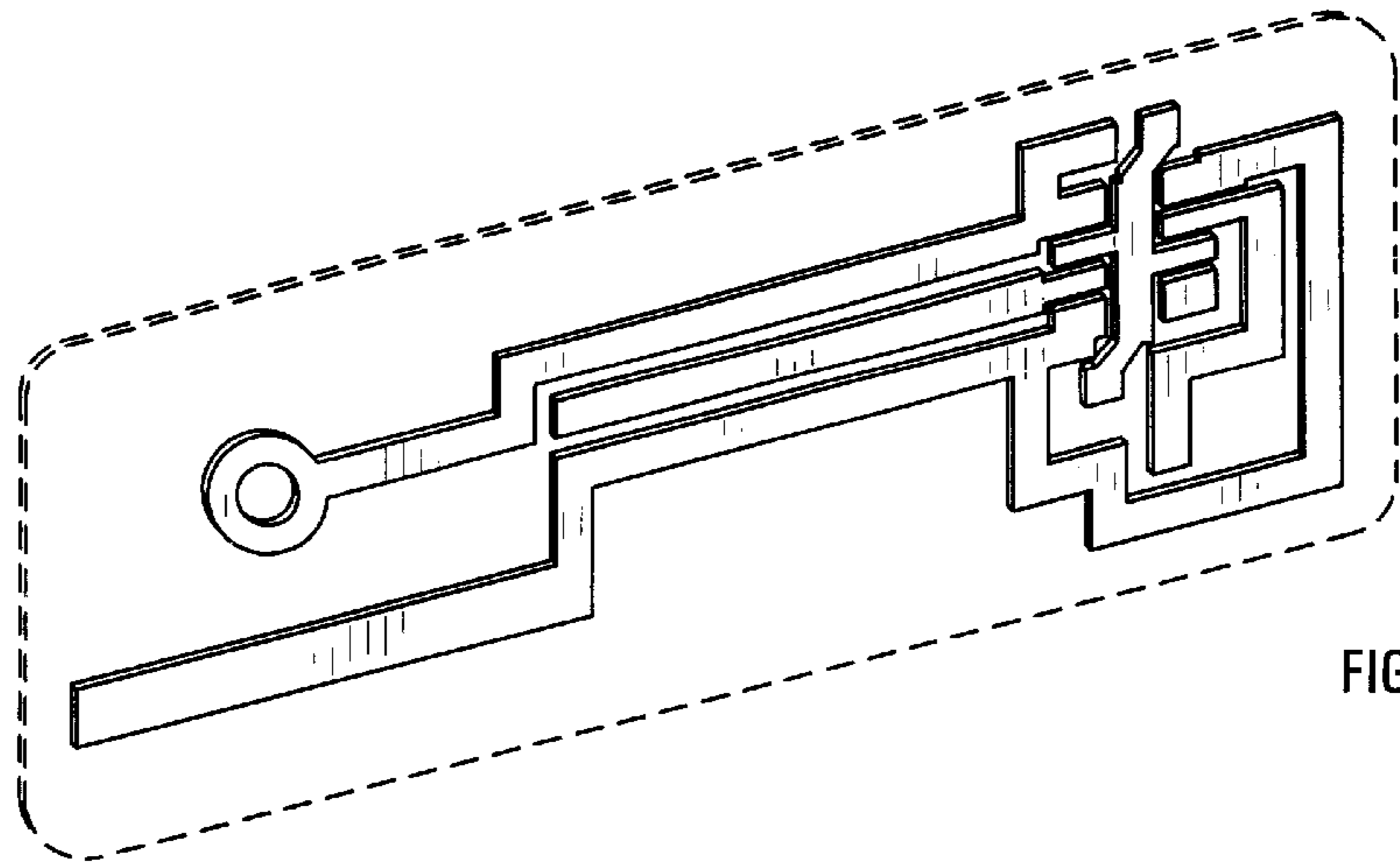


FIG. 1

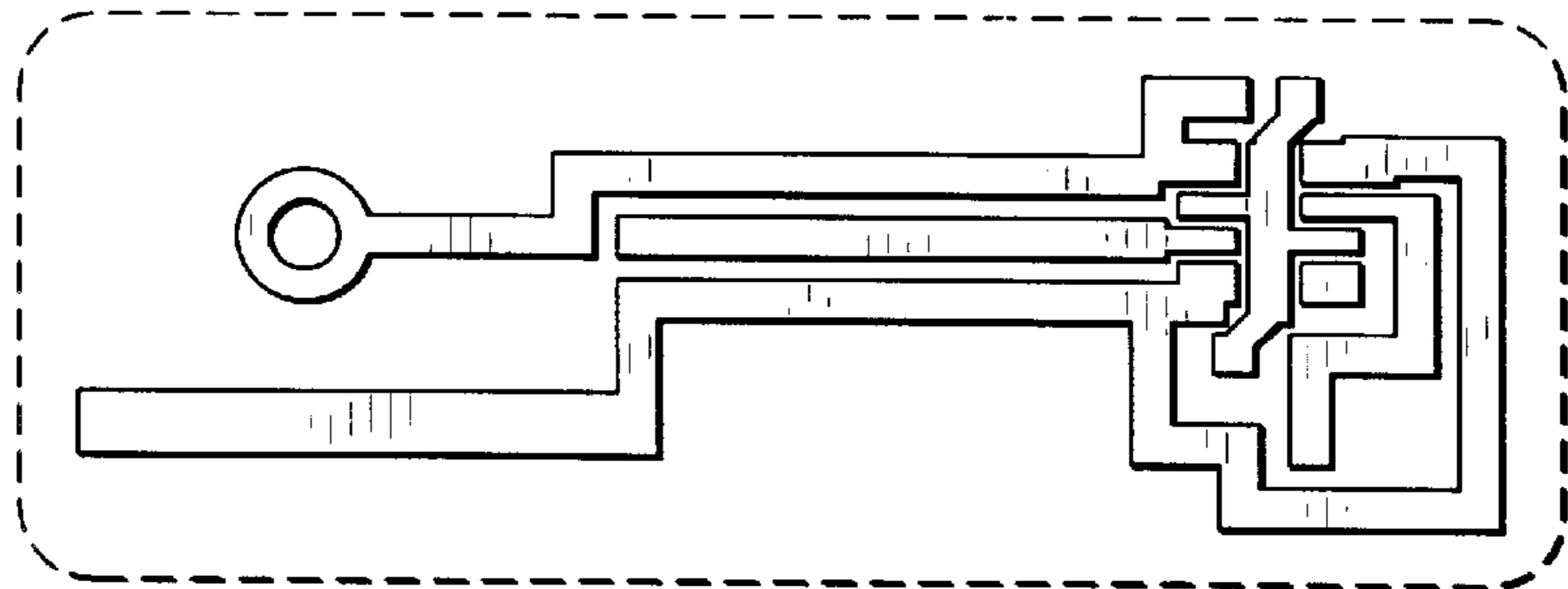


FIG. 2

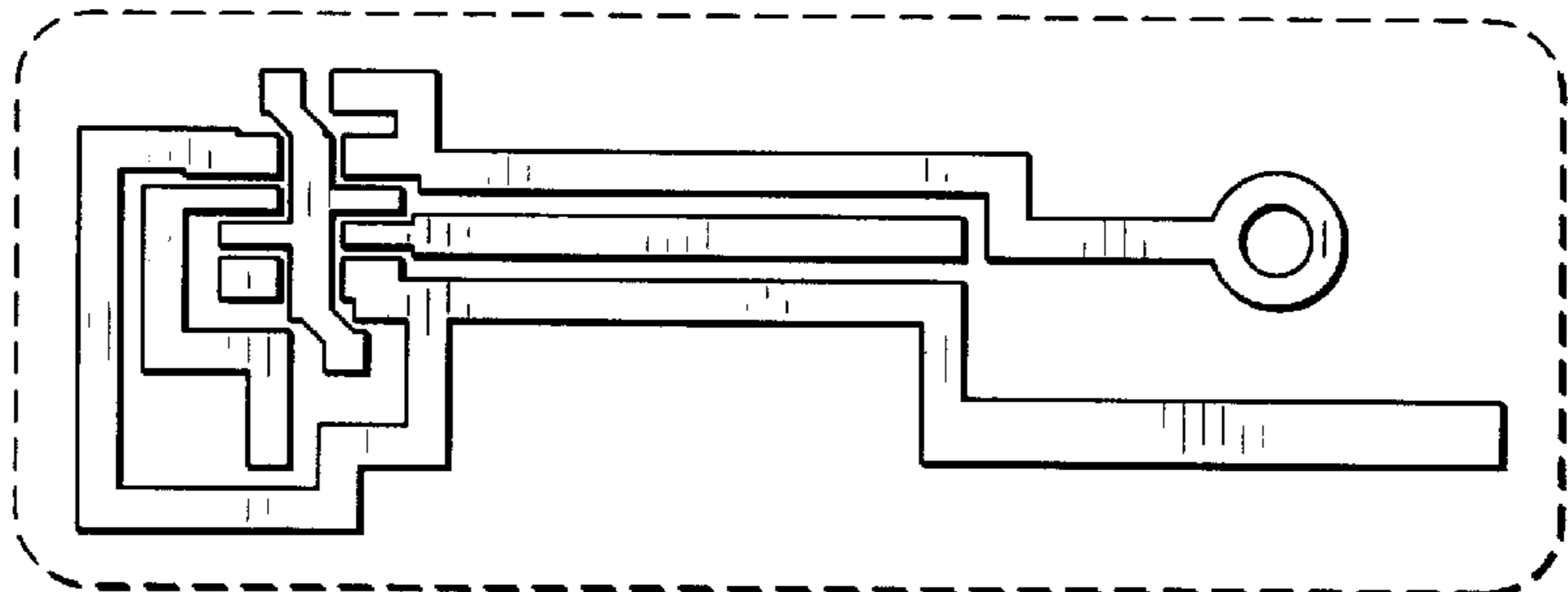


FIG. 3



FIG. 4



FIG. 5

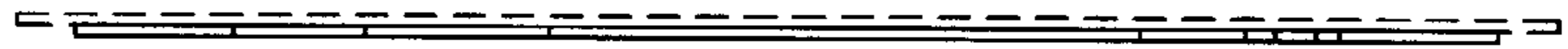


FIG. 6



FIG. 7