



US00D419958S

United States Patent [19]

Peterson et al.

[11] Patent Number: **Des. 419,958**

[45] Date of Patent: **** Feb. 1, 2000**

[54] **BATTERY CLAMP**

5,899,777 5/1999 Liang 439/805

[75] Inventors: **Keith A. Peterson; Yasu Yamamoto,**
both of Portland, Oreg.

[73] Assignee: **Phoenix Gold International, Inc.,**
Portland, Oreg.

[**] Term: **14 Years**

[21] Appl. No.: **29/095,922**

[22] Filed: **Oct. 8, 1998**

[51] **LOC (7) Cl.** **13-03**

[52] **U.S. Cl.** **D13/120**

[58] **Field of Search** D13/120; 439/522,
439/583, 584, 805

[56] **References Cited**

U.S. PATENT DOCUMENTS

D. 399,487	10/1998	Awbrey et al.	D13/120
D. 402,260	12/1998	Awbrey	D13/120
3,790,920	2/1974	Wening	439/522
4,920,018	4/1990	Turner	429/65
5,440,073	8/1995	Lin et al.	174/74 R
5,573,423	11/1996	Lin et al.	439/462

OTHER PUBLICATIONS

Audio/Car Audio '96-'97 Accessory Pricing Schedule, pp. 6-7 and 32-33 (1996).

Primary Examiner—Joel Sincavage
Attorney, Agent, or Firm—Klarquist Sparkman Campbell Leigh & Whinston

[57] **CLAIM**

The ornamental design for a battery clamp, as shown and described.

DESCRIPTION

FIG. 1 is a top perspective view of a battery clamp showing our new design.

FIG. 2 is a top plan view of the battery clamp, with the front of the clamp on the right of the figure and the rear of the clamp on the left of the figure.

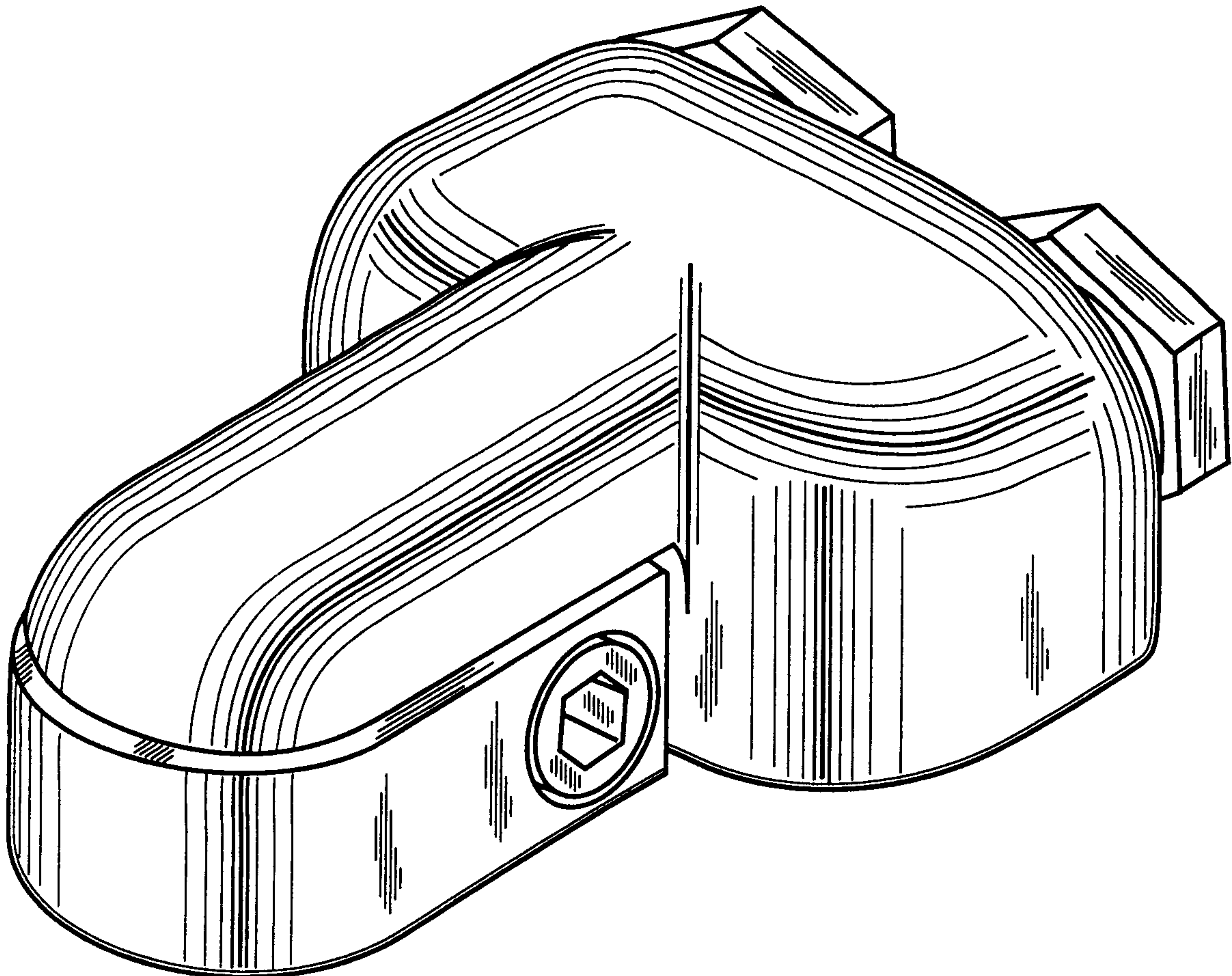
FIG. 3 is a left side elevational view of the battery clamp.

FIG. 4 is a rear elevational view of the battery clamp.

FIG. 5 is a right side elevational view of the battery clamp.

FIG. 6 is a front elevational view of the battery clamp; and, FIG. 7 is a bottom plan view of the battery clamp.

1 Claim, 2 Drawing Sheets



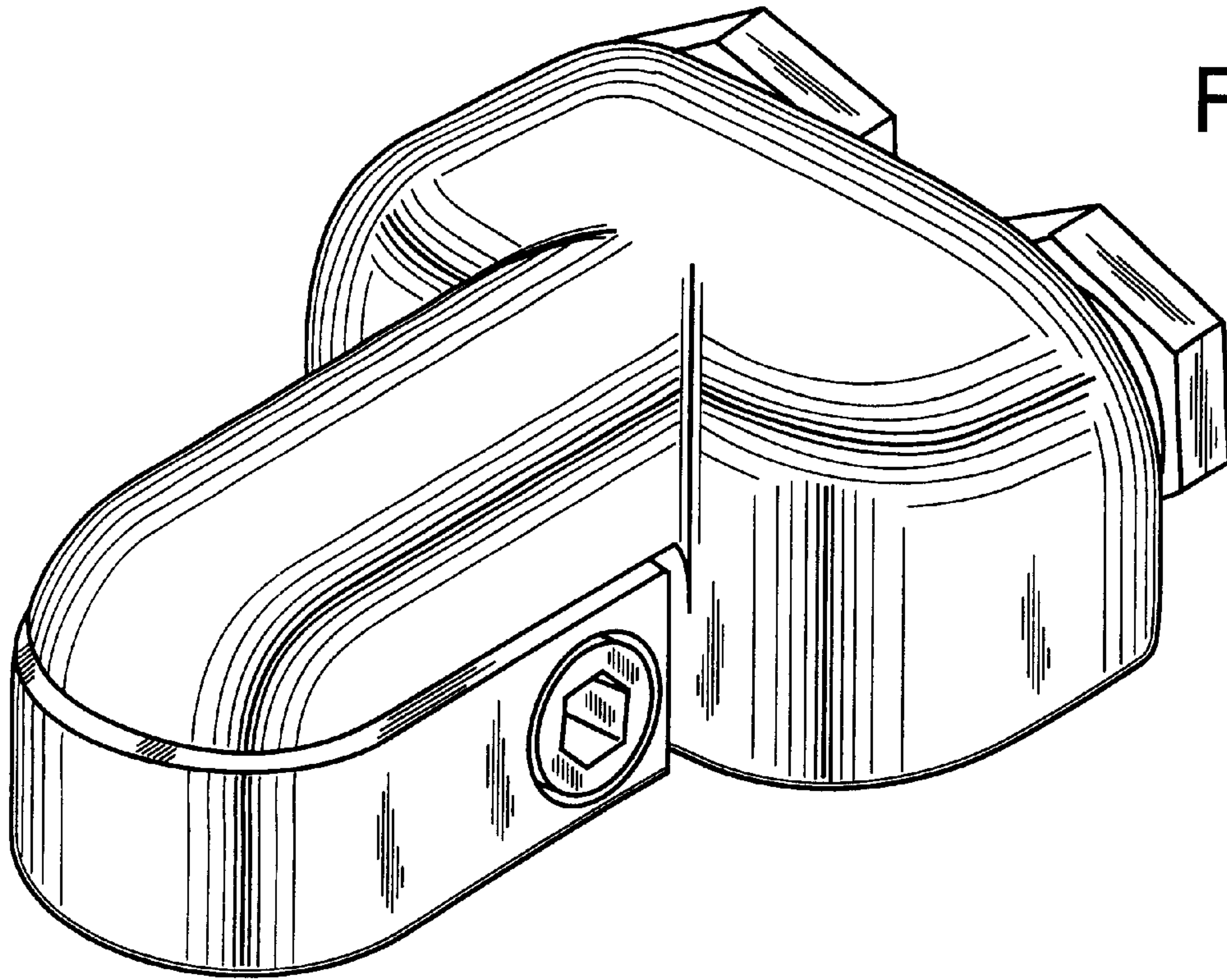


FIG. 1

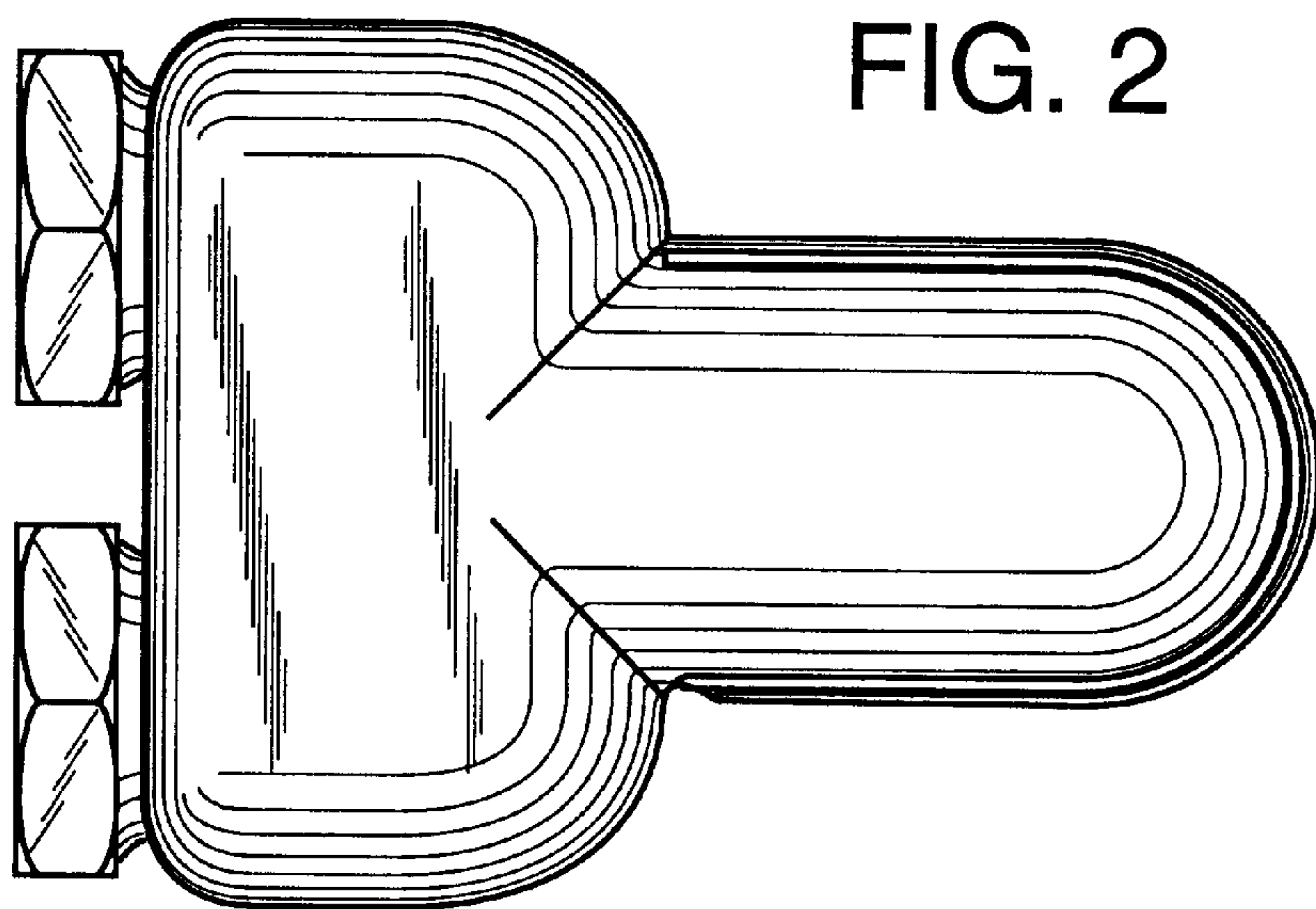


FIG. 2

FIG. 3

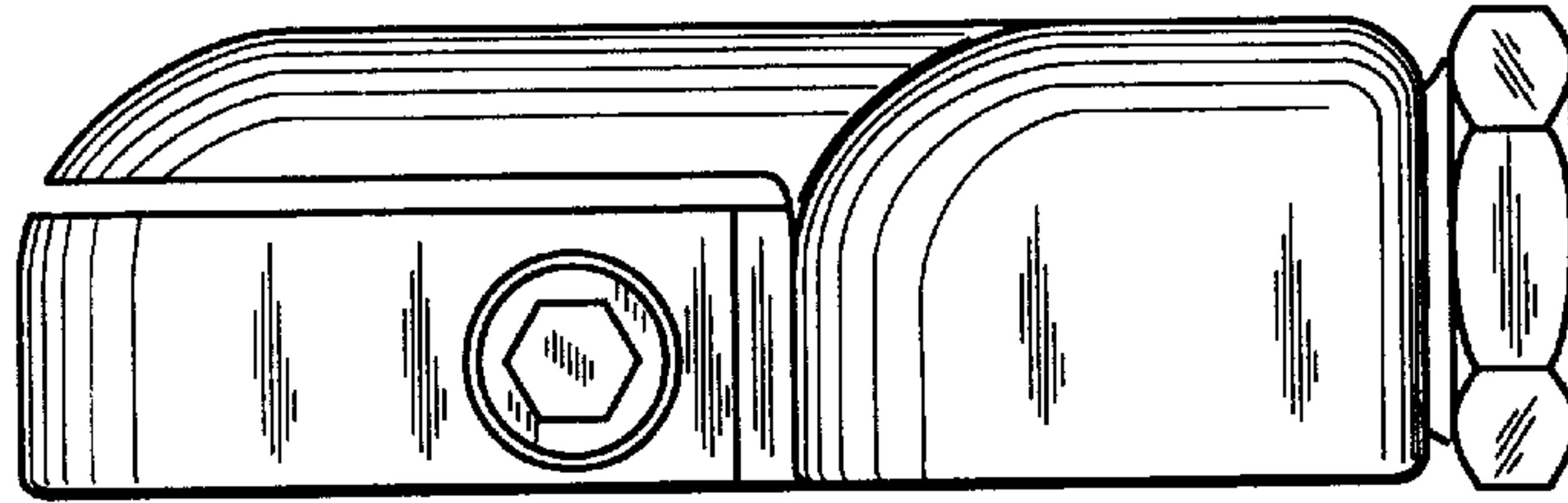


FIG. 4

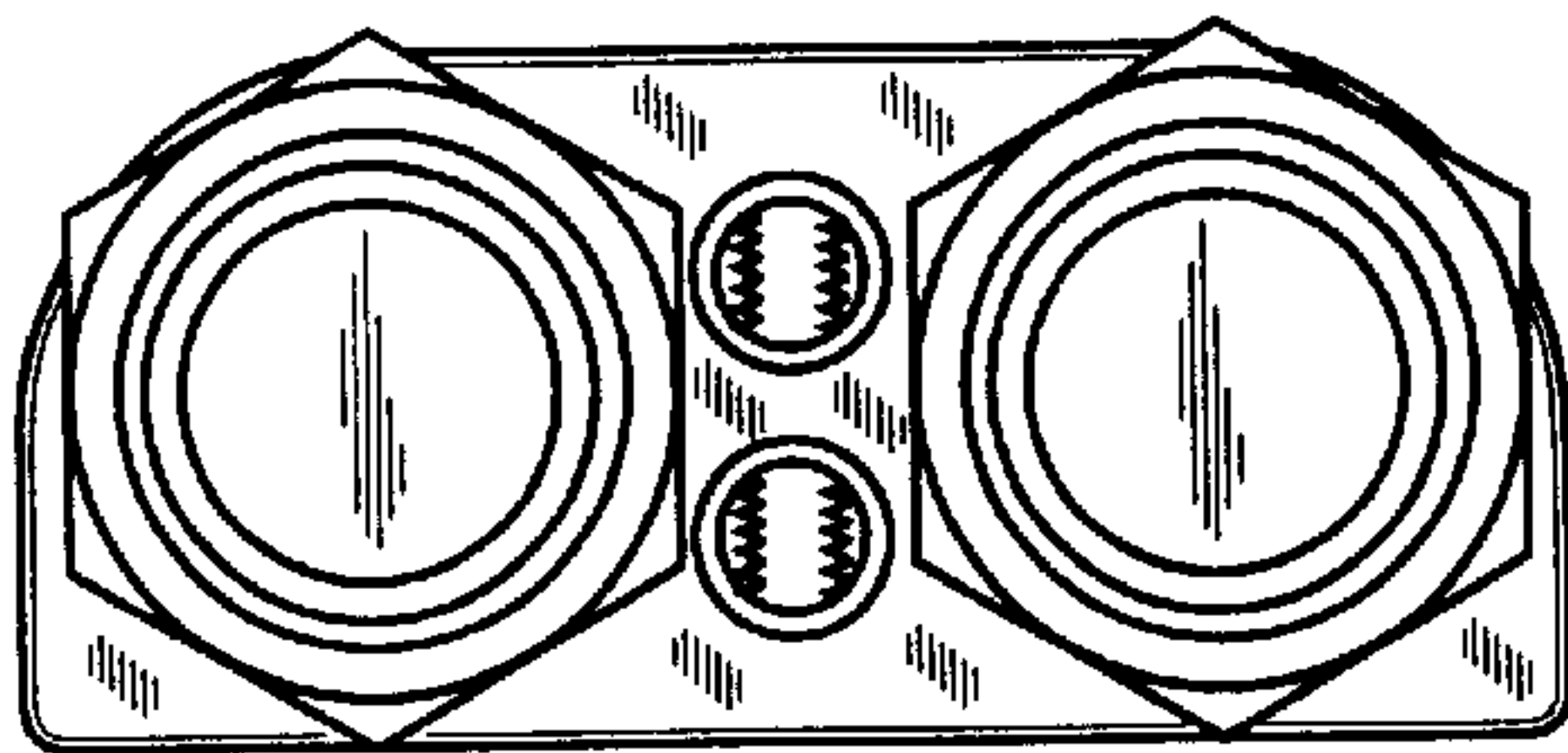


FIG. 5

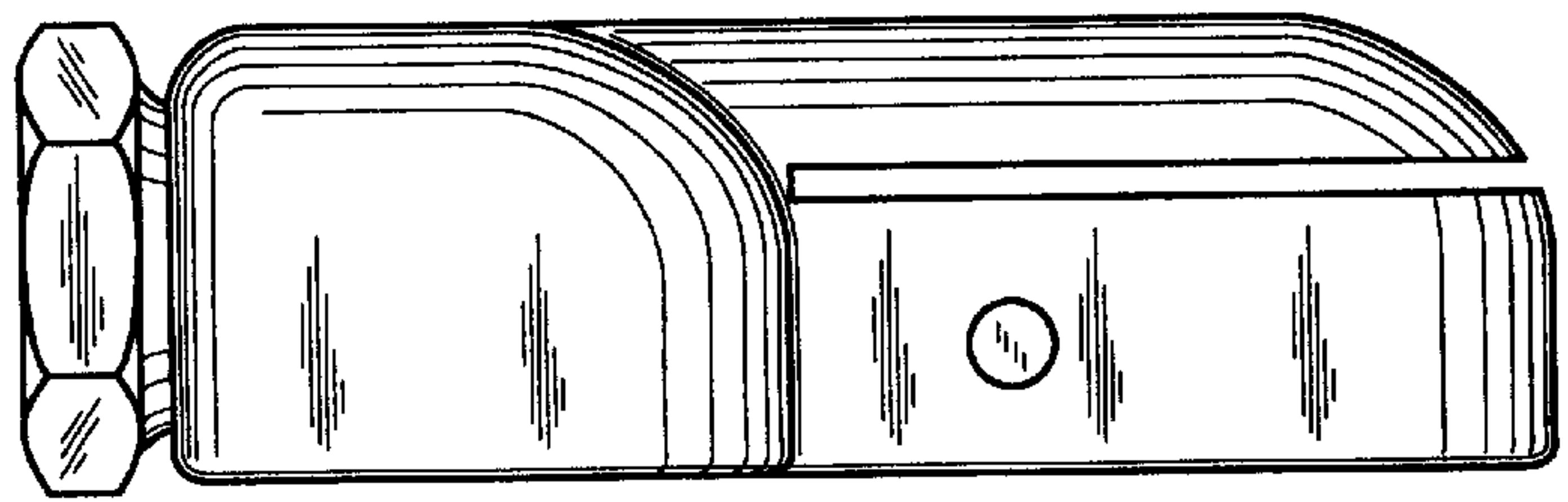


FIG. 6

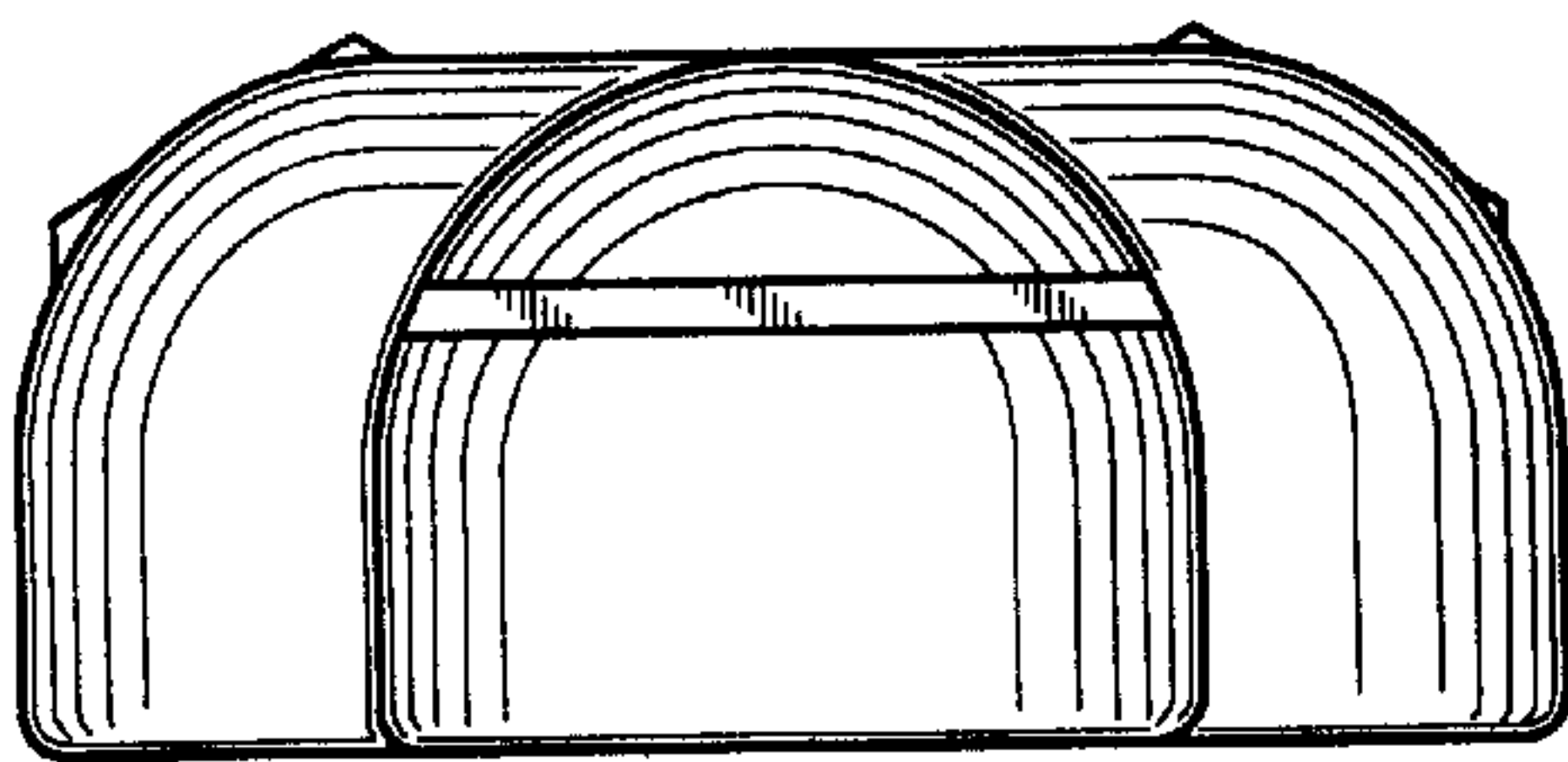


FIG. 7

