



US00D419957S

United States Patent [19] Burdick

[11] **Patent Number: Des. 419,957**

[45] **Date of Patent: ** Feb. 1, 2000**

[54] **ELECTRIC FENCE ENERGIZER**

[76] Inventor: **Brett R. Burdick**, 120 S. Gay St., #601, Knoxville, Tenn. 37902

[**] Term: **14 Years**

[21] Appl. No.: **29/102,847**

[22] Filed: **Apr. 1, 1999**

[51] **LOC (7) Cl.** **13-02**

[52] **U.S. Cl.** **D13/111**

[58] **Field of Search** D13/111; 256/10; 307/64, 132 R

4,725,825 2/1988 McKean 256/10 X

Primary Examiner—Joel Sincavage
Attorney, Agent, or Firm—Luedeka Neely & Graham PC

[57] CLAIM

The ornamental design for an electric fence energizer, as shown.

DESCRIPTION

FIG. 1 is a front perspective view of the energizer of my new design;

FIG. 2 is a rear perspective view of the energizer of my new design;

FIG. 3 is a left side elevational view of the energizer of my new design;

FIG. 4 is a front elevational view of the energizer of my new design;

FIG. 5 is a rear elevational view of the energizer of my new design;

FIG. 6 is a top plan view of the energizer of my new design; and,

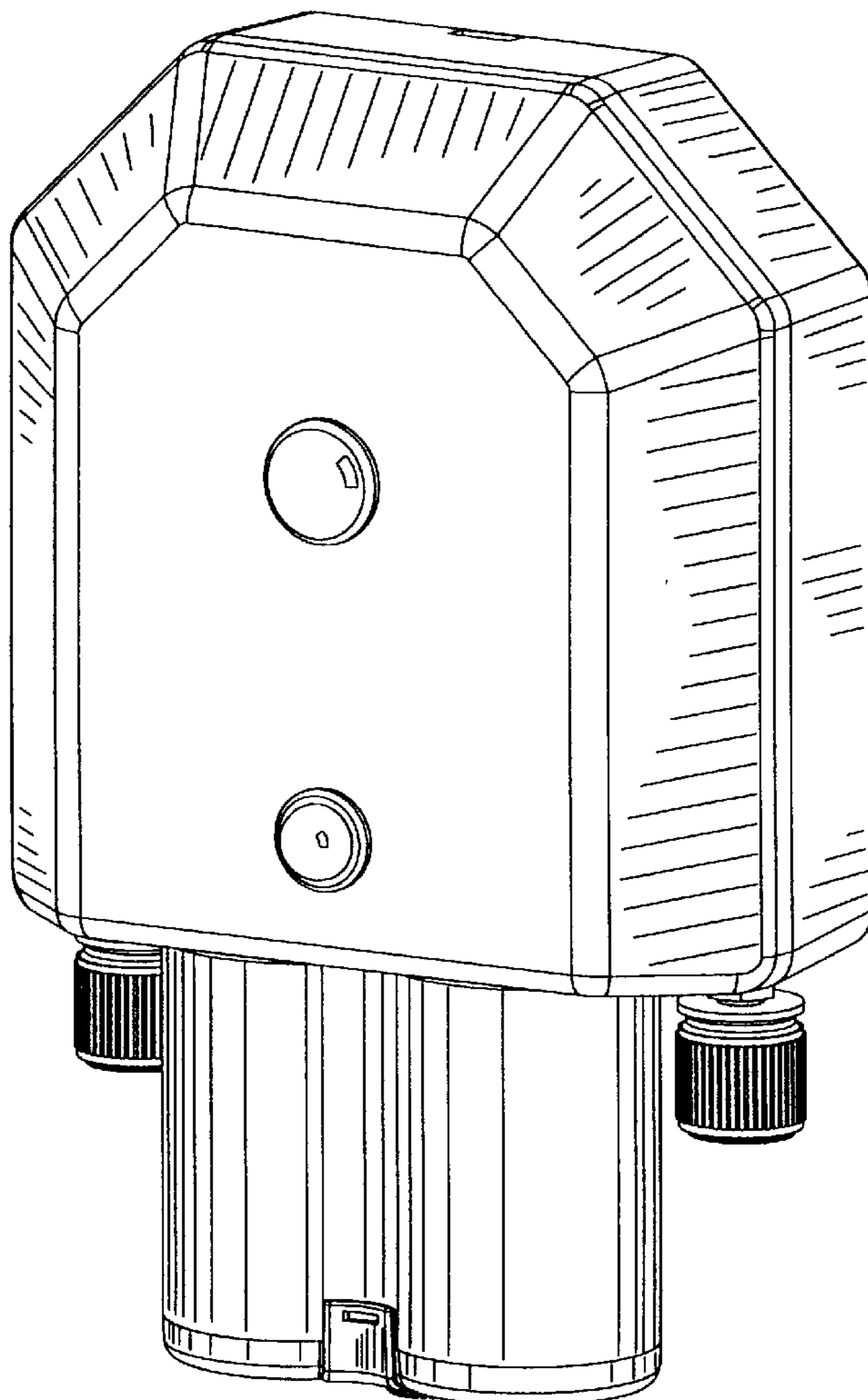
FIG. 7 is a bottom plan view of the energizer of my new design.

[56] **References Cited**

U.S. PATENT DOCUMENTS

D. 223,932	6/1972	Paulson et al. .	
D. 243,344	2/1977	Allard .	
D. 260,876	9/1981	Pershyn .	
D. 289,395	4/1987	Bowers .	
D. 366,457	1/1996	Pilcher .	
3,873,847	3/1975	Finch et al.	307/64
3,988,594	10/1976	Low et al.	307/132 R
4,560,827	12/1985	Langlie et al. .	

1 Claim, 3 Drawing Sheets



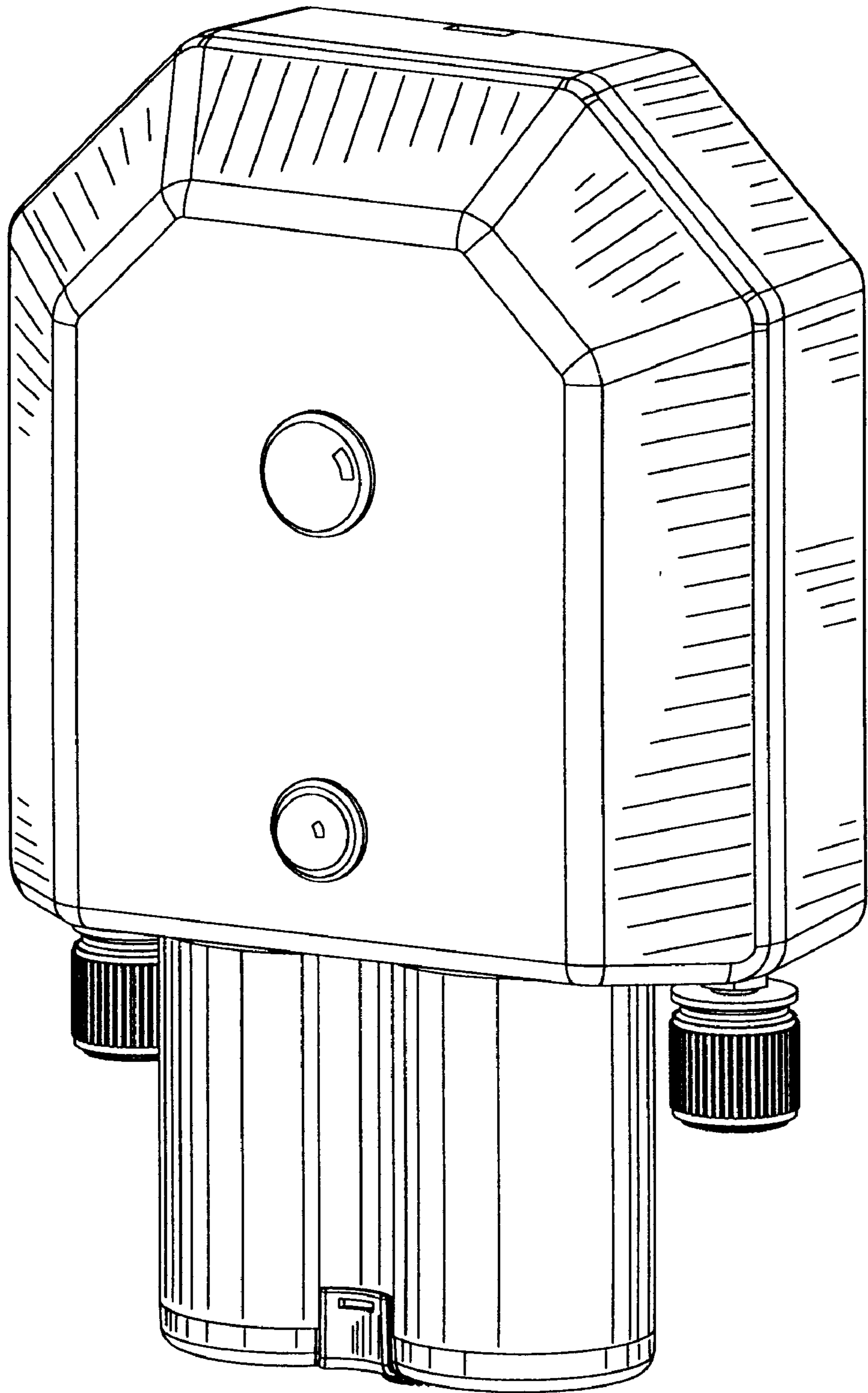


FIG. 1

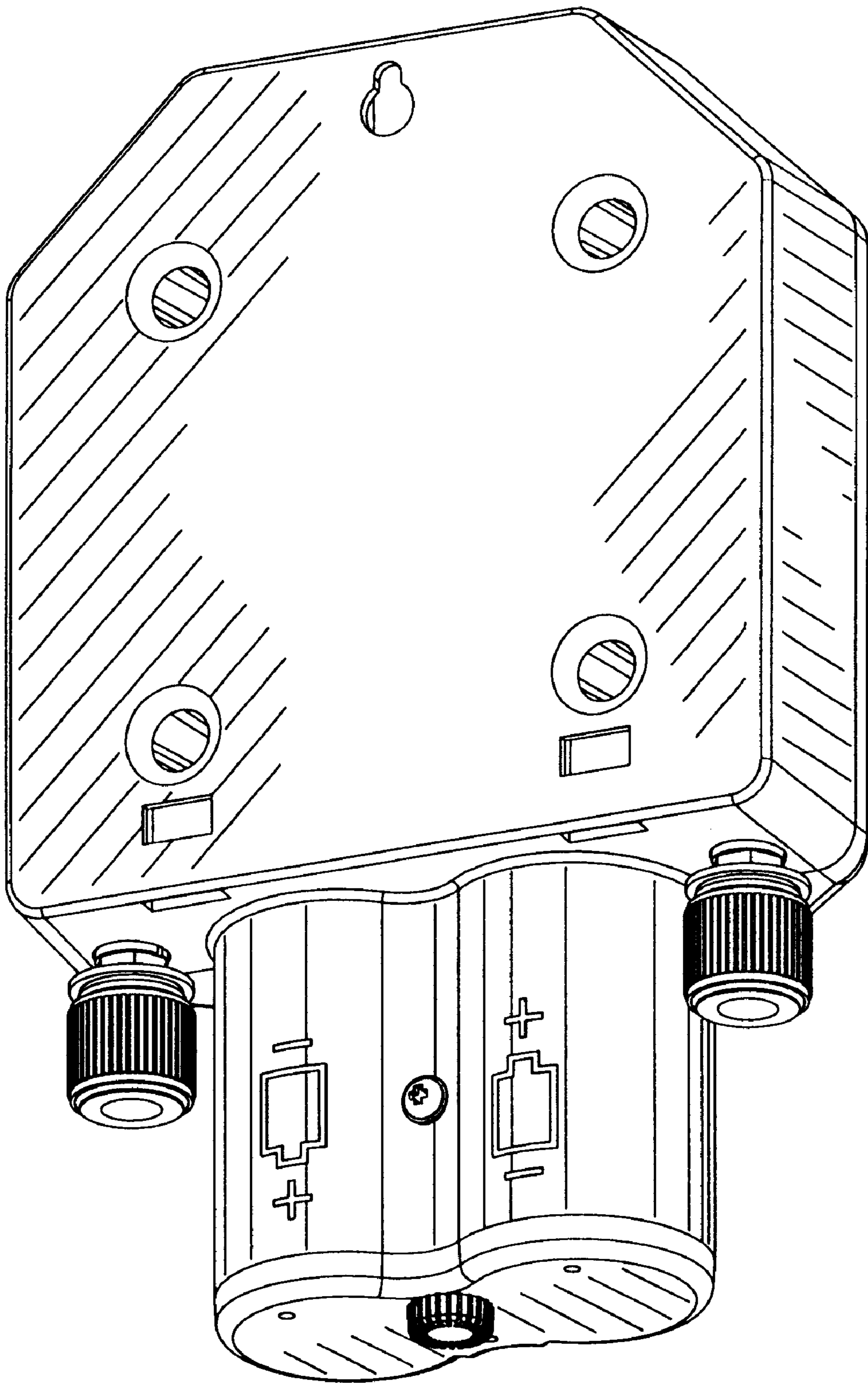


FIG. 2

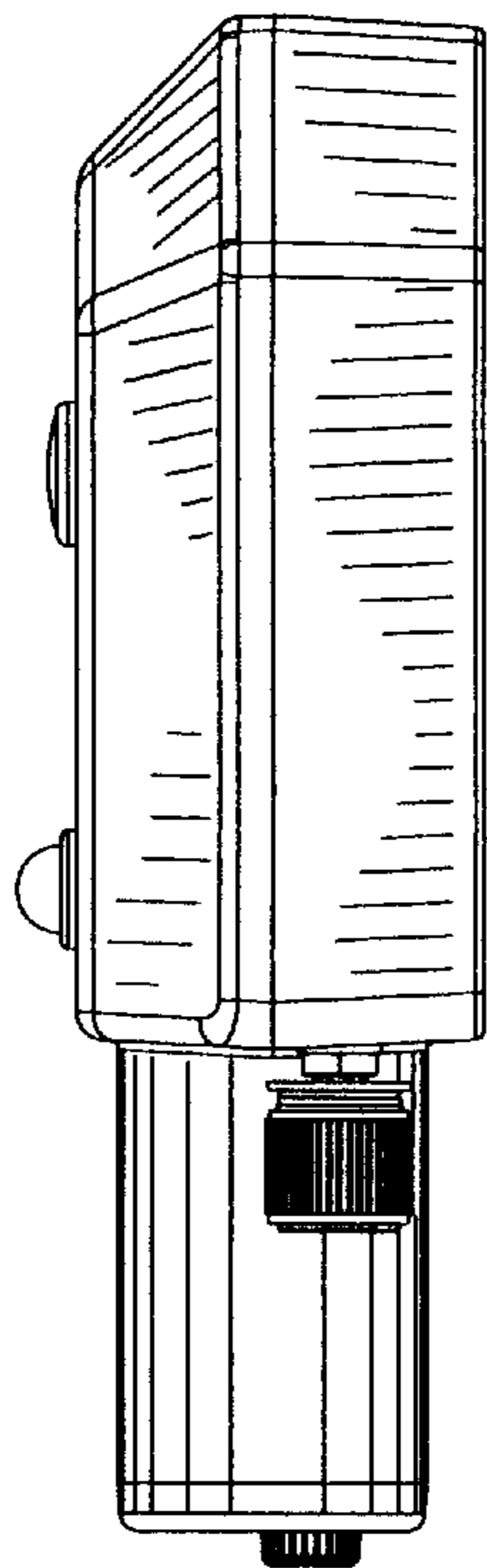


FIG. 3

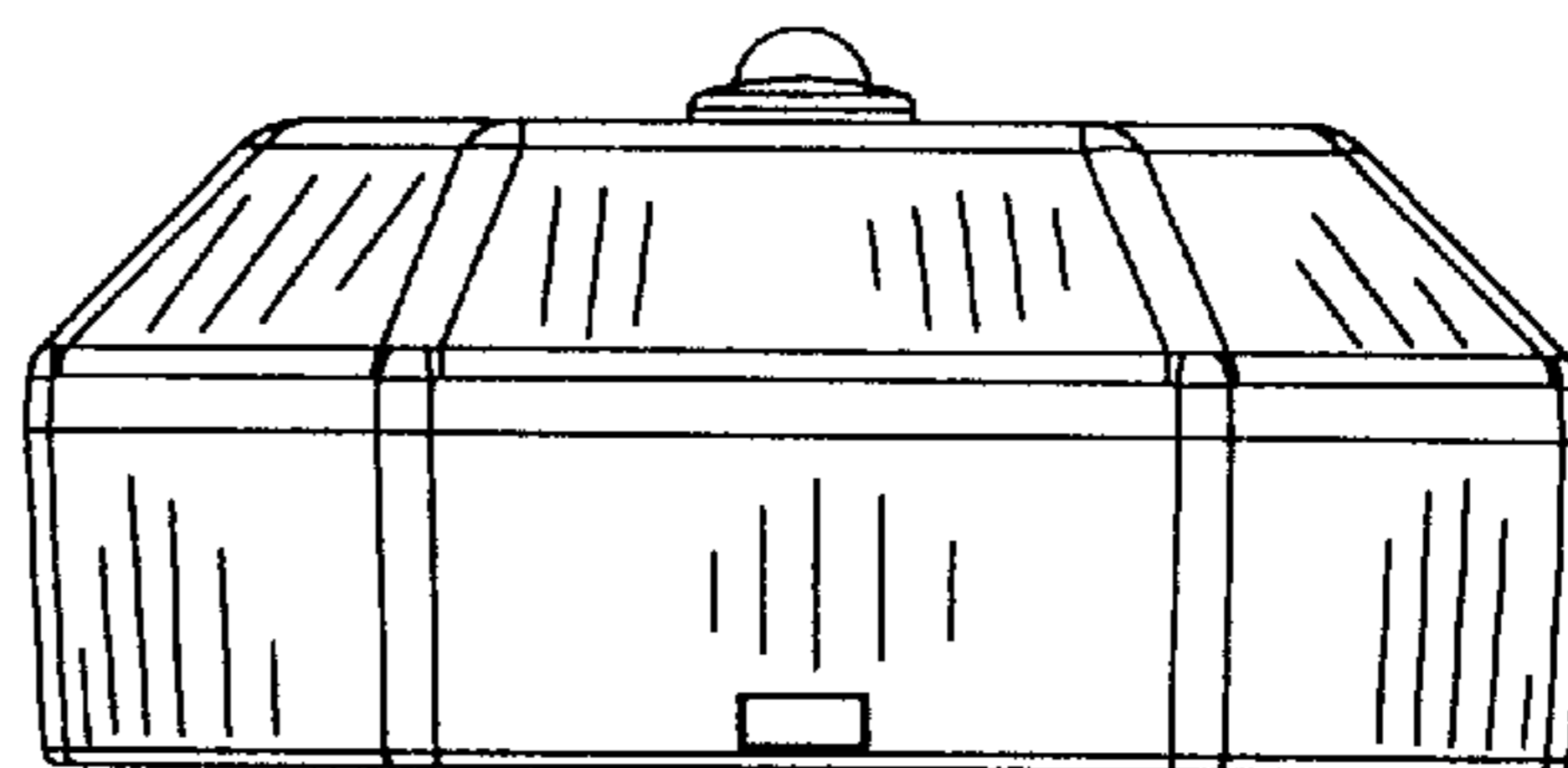


FIG. 6

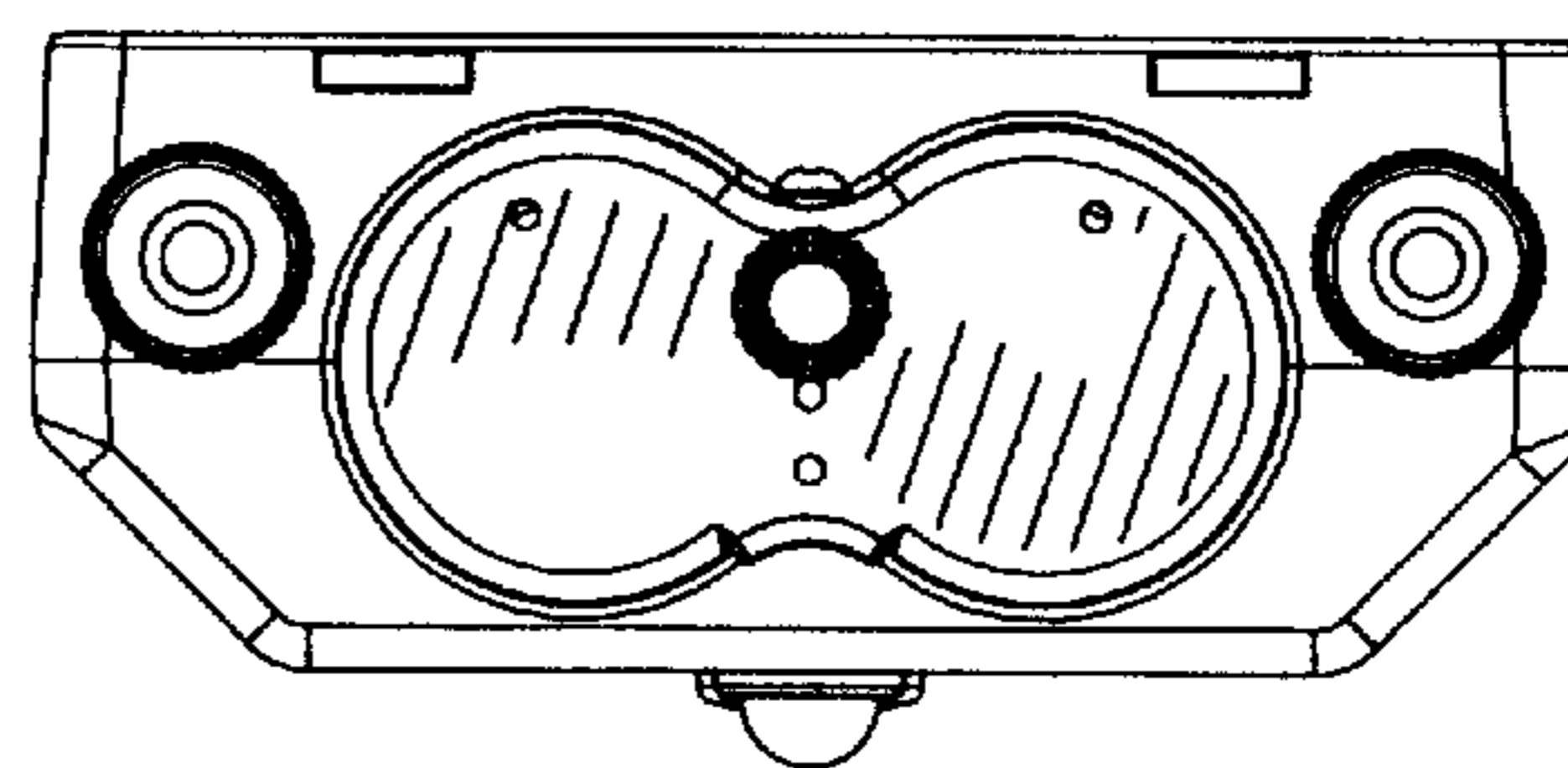


FIG. 7

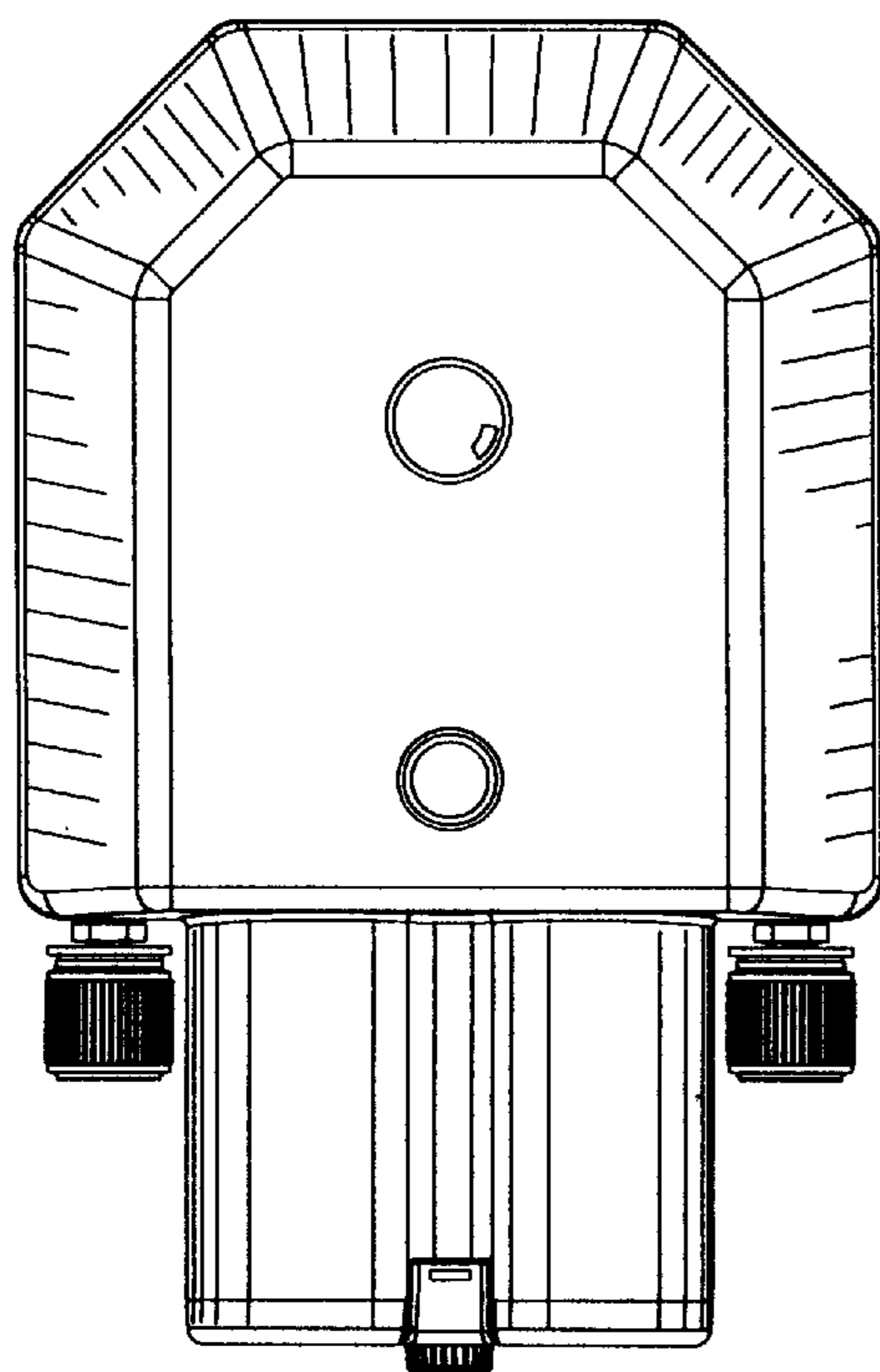


FIG. 4

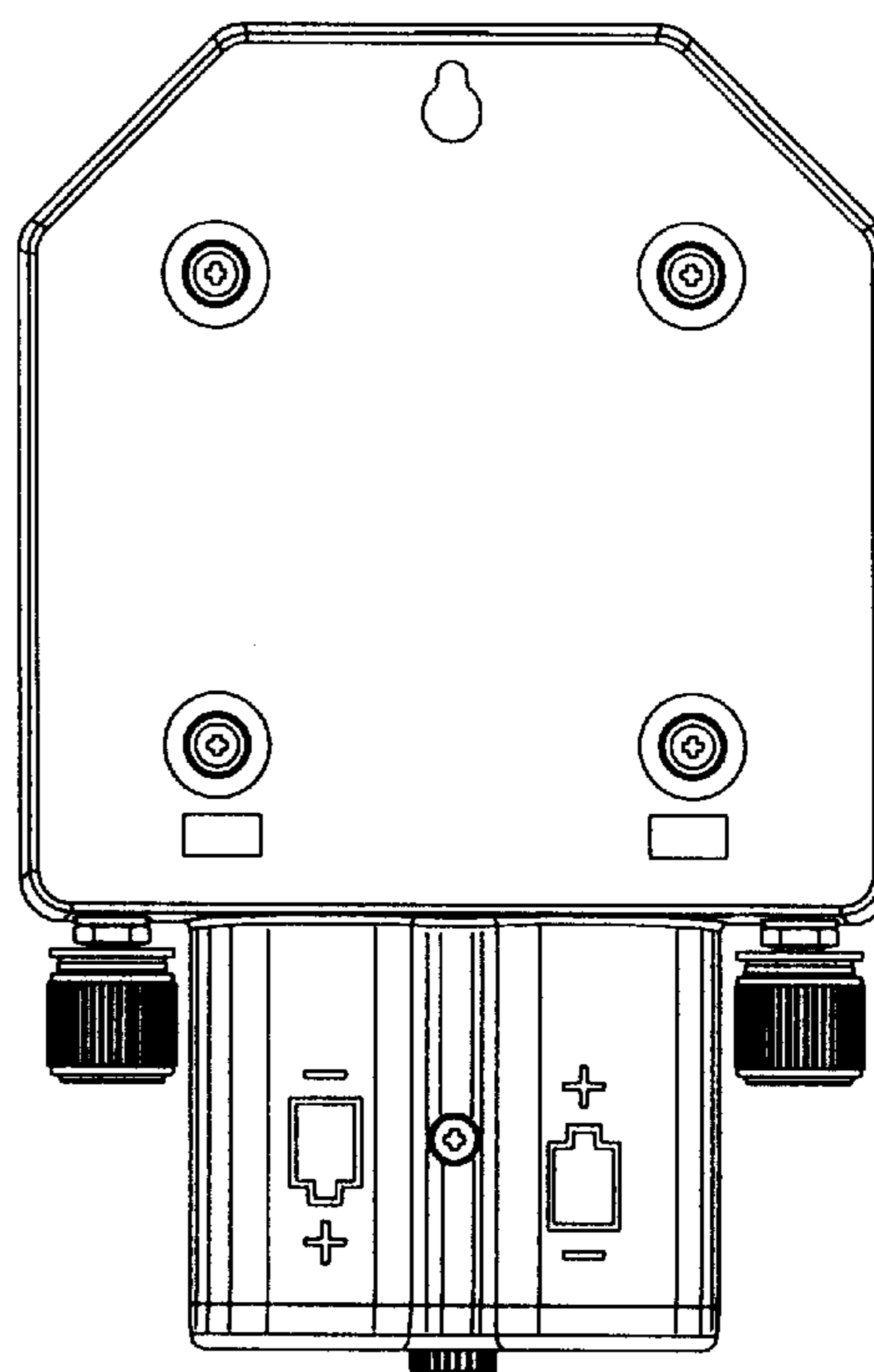


FIG. 5