



US00D419952S

United States Patent [19]

Copeland et al.

[11] **Patent Number: Des. 419,952**

[45] **Date of Patent: ** Feb. 1, 2000**

[54] **HUMAN POWERED WATER VESSEL**

D. 399,814 10/1998 Toro et al. D12/306
1,522,390 1/1925 Sanders 441/30

[76] Inventors: **Stephen Arthur Copeland**, 9 Moore Place, Barrie, Ontario, Canada, L4N 6N7; **Todd Kenneth Howe**, R.R. #1, Thornton, Ontario, Canada, L0L 2N0

Primary Examiner—Kay H. Chin
Attorney, Agent, or Firm—Jane Parsons

[**] Term: **14 Years**

[57] **CLAIM**

The ornamental design for a human powered water vessel, as shown and described.

[21] Appl. No.: **29/089,956**

DESCRIPTION

[22] Filed: **Jun. 26, 1998**

[51] **LOC (7) Cl.** **12-06**

[52] **U.S. Cl.** **D12/306; D12/300**

[58] **Field of Search** D12/300, 305,
D12/306, 307, 309; 440/12, 29, 30, 31,
27, 26, 39, 43

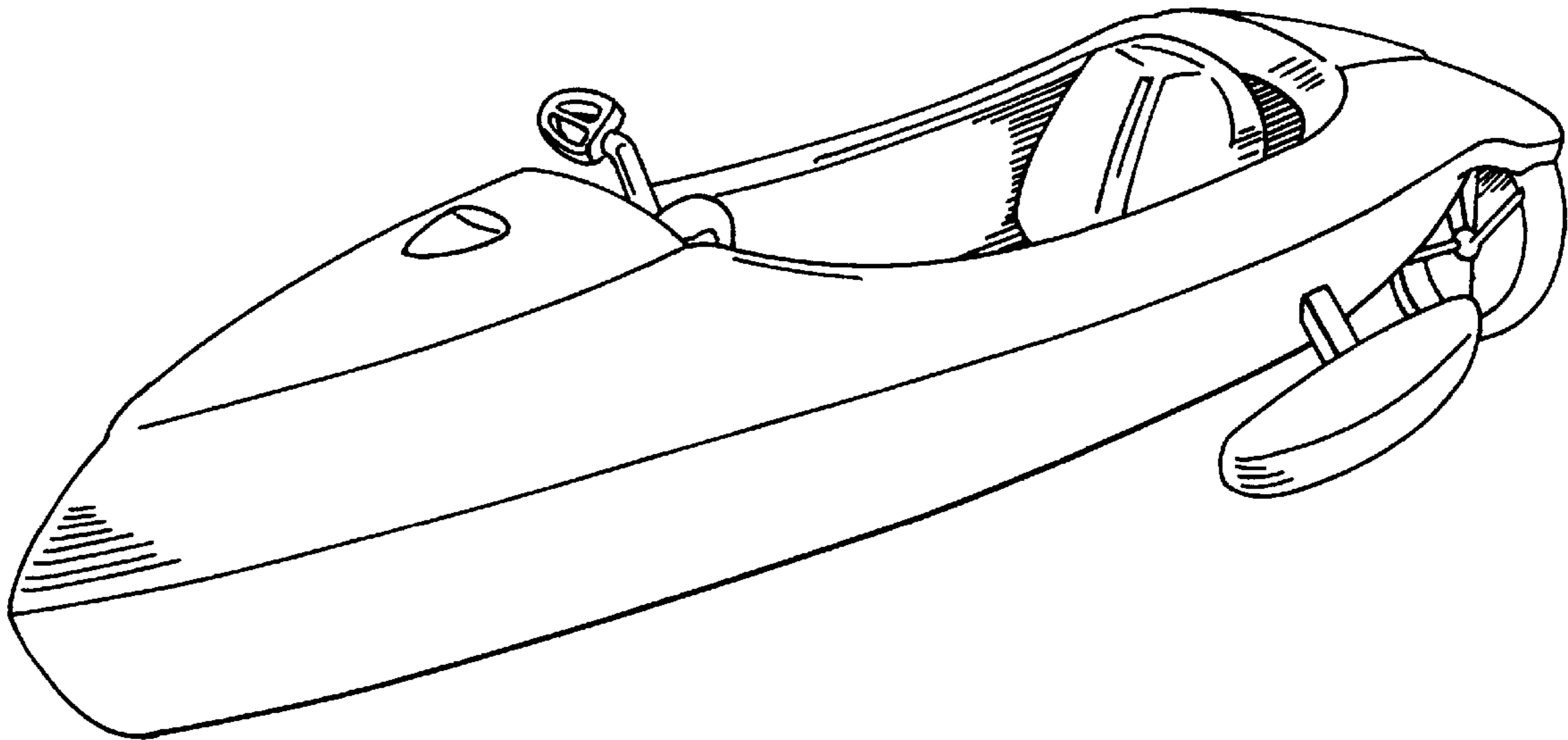
FIG. 1 is a front perspective view of a human powered water vessel showing our new design;
FIG. 2 is a top plan view thereof;
FIG. 3 is a side elevational view thereof, the opposite side view being a mirror image of that shown;
FIG. 4 is a bottom plan view thereof;
FIG. 5 is a front elevational view thereof; and,
FIG. 6 is a rear elevational view thereof.

[56] **References Cited**

U.S. PATENT DOCUMENTS

D. 375,930 11/1996 Howard D12/306

1 Claim, 3 Drawing Sheets



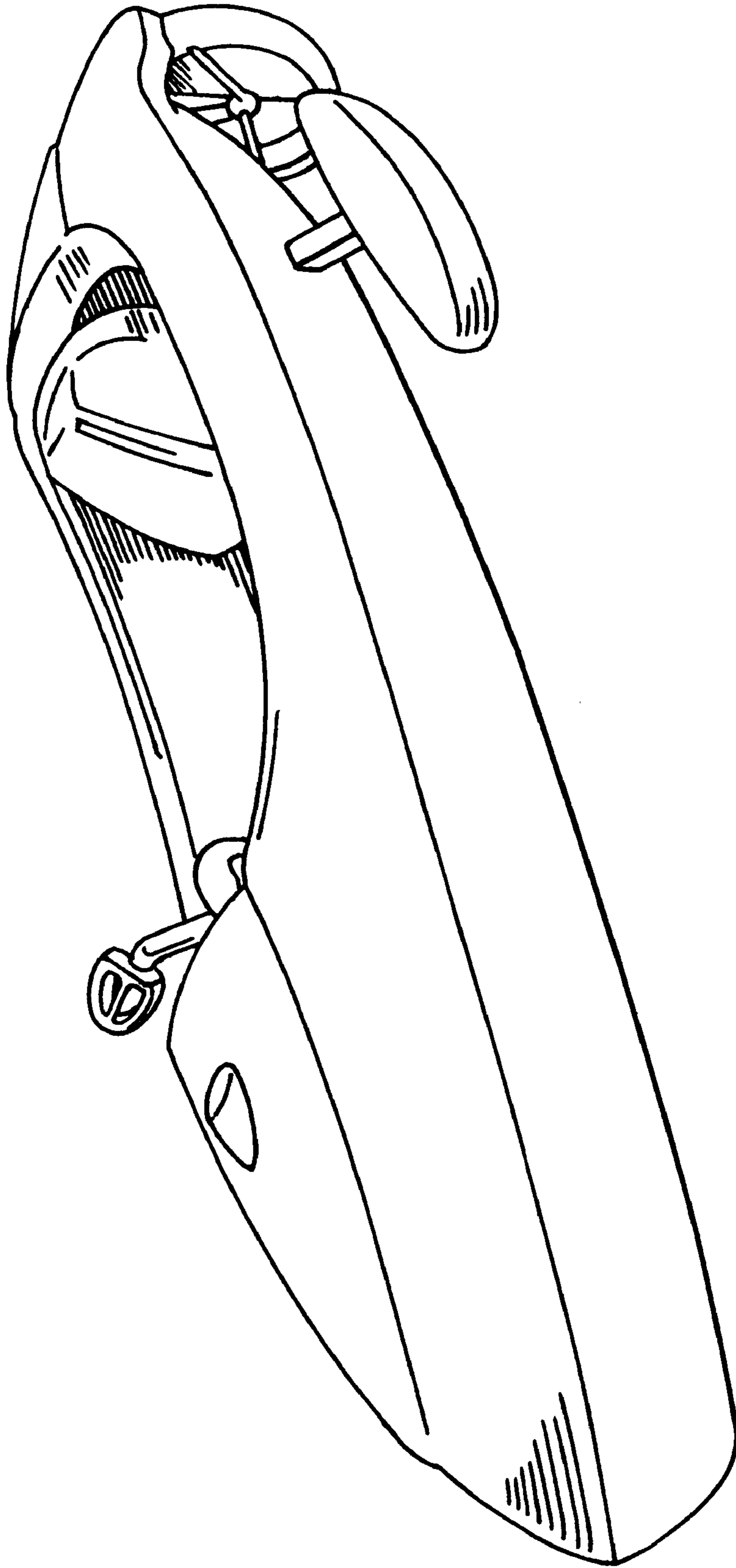


FIG. 1

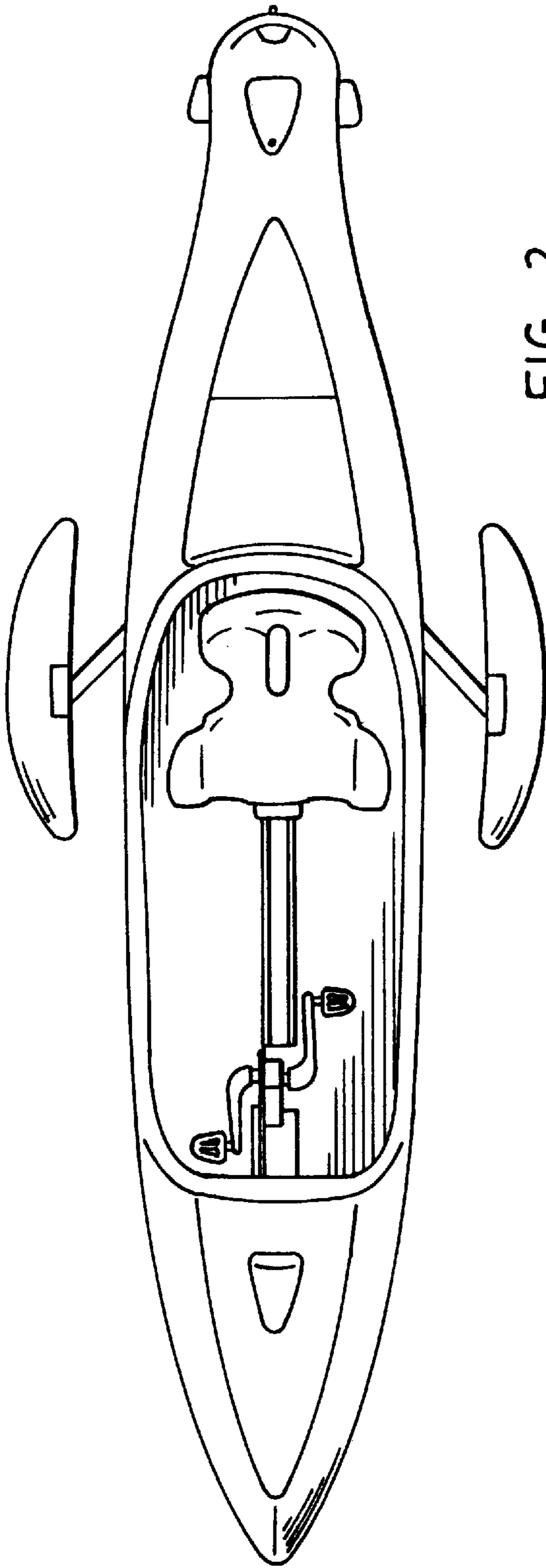


FIG. 2

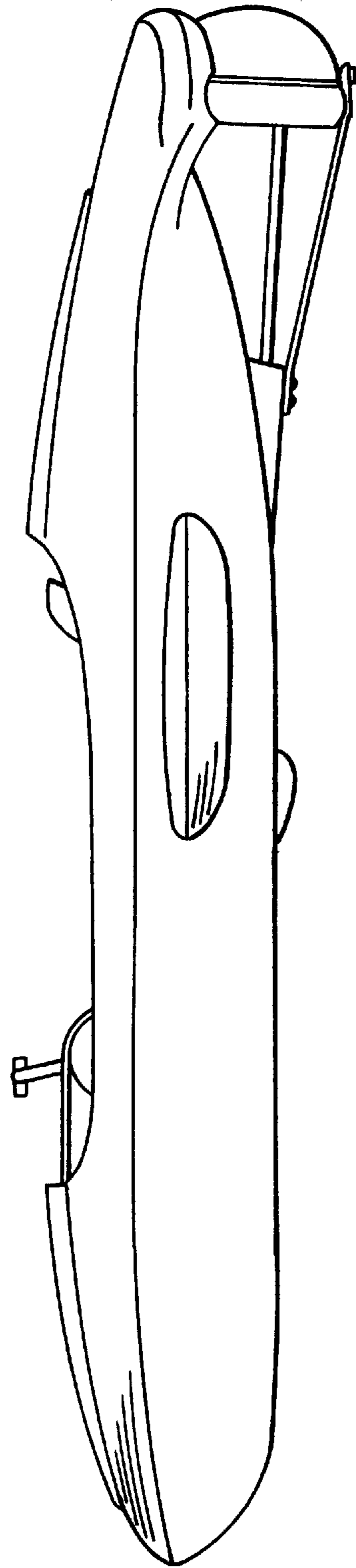


FIG. 3

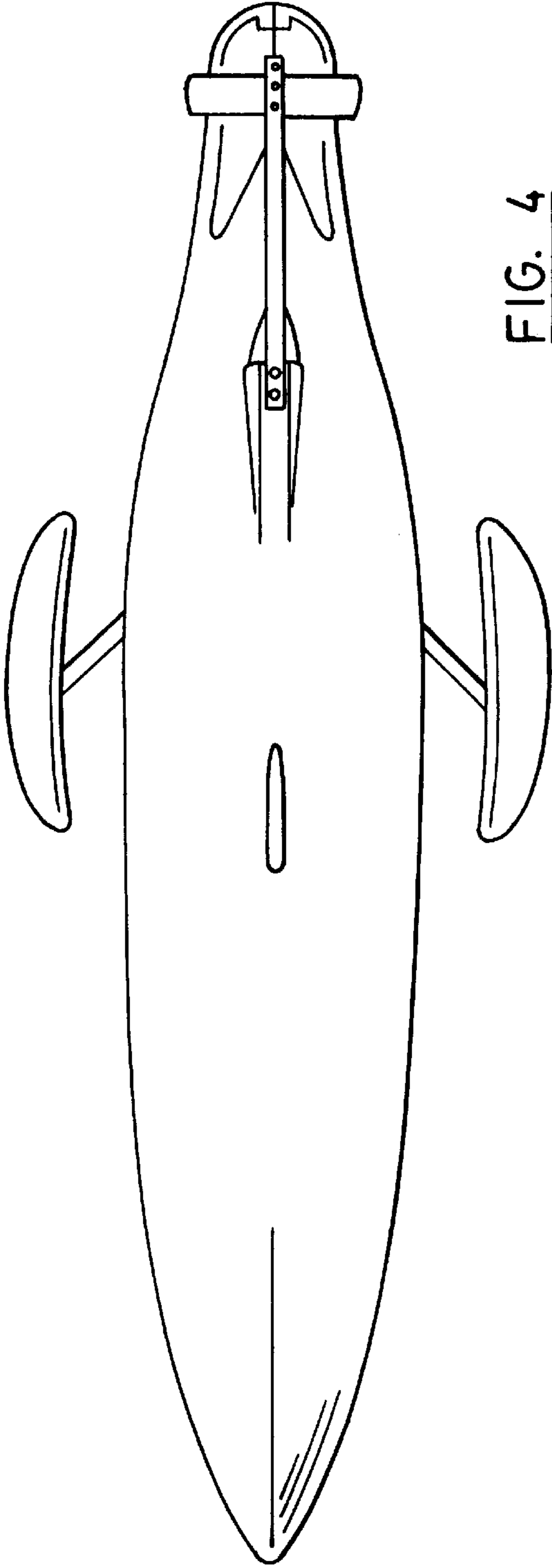


FIG. 4

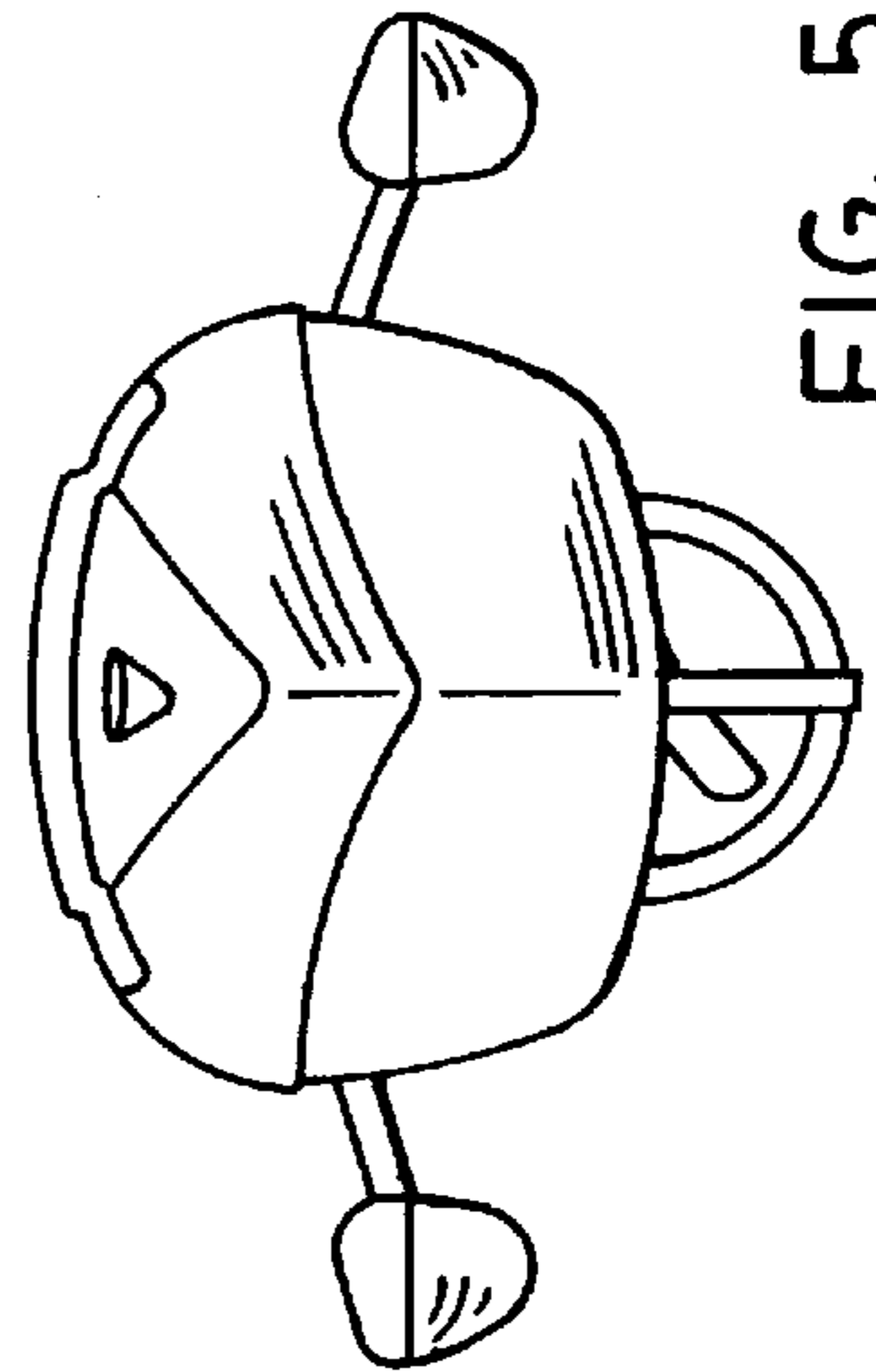


FIG. 5

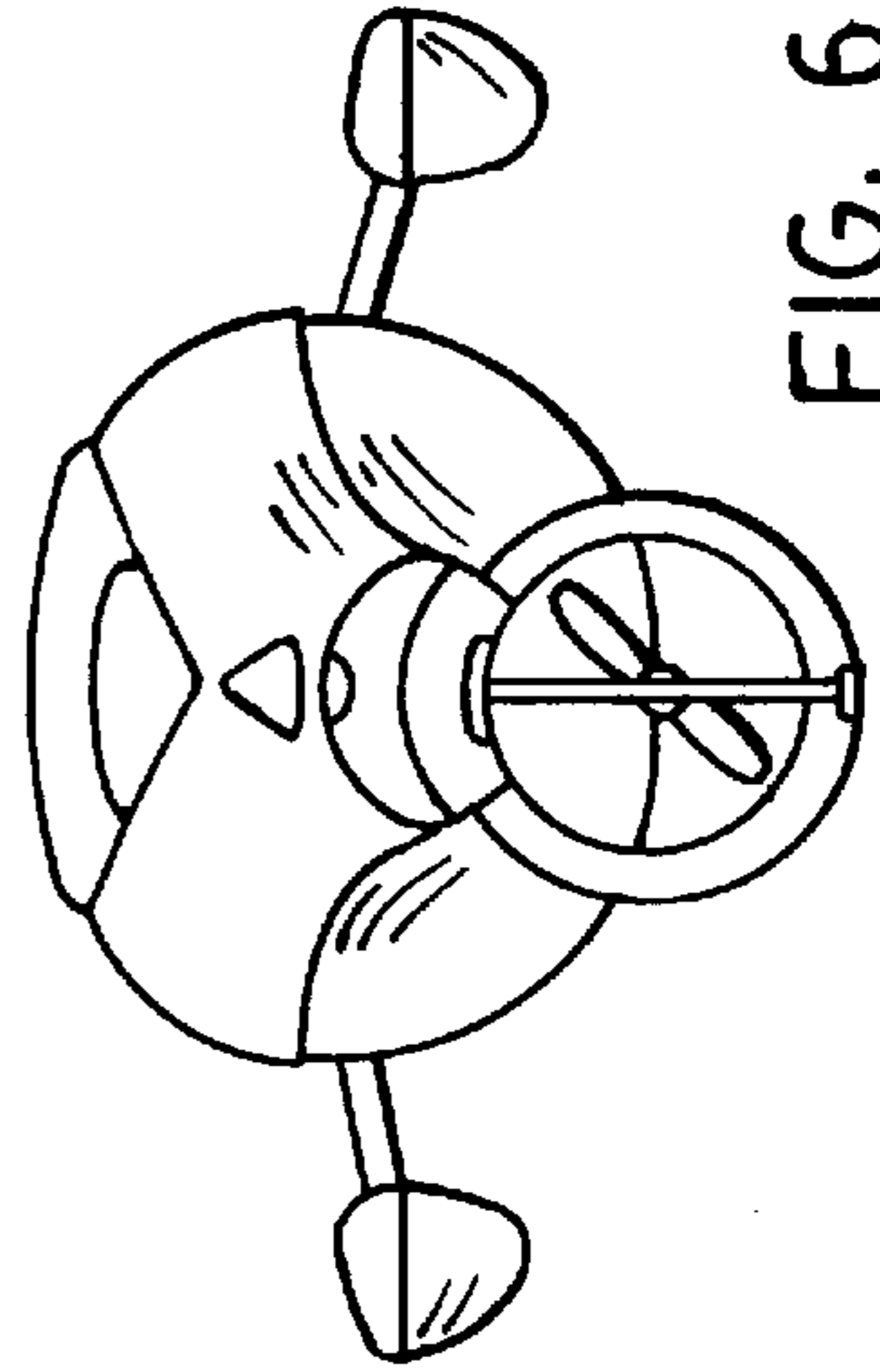


FIG. 6