



US00D419951S

United States Patent [19]

[11] Patent Number: **Des. 419,951**

Emery et al.

[45] Date of Patent: **** Feb. 1, 2000**

[54] **TRUCK BED TRAY**

5,381,940 1/1995 Wright .
5,584,412 12/1996 Wang .
5,769,479 6/1998 Emery .

[75] Inventors: **Phillip L. Emery**, Portage; **Thomas J. Anderson**, Pardeeville, both of Wis.

Primary Examiner—Melody N. Brown
Attorney, Agent, or Firm—Lathrop & Clark LLP

[73] Assignee: **Penda Corporation**, Portage, Wis.

[**] Term: **14 Years**

[57] CLAIM

[21] Appl. No.: **29/101,569**

The ornamental design for a truck bed tray, as shown and described.

[22] Filed: **Mar. 8, 1999**

DESCRIPTION

[51] **LOC (7) Cl.** **12-06**

FIG. 1 is a top perspective view of the truck bed tray of our invention;

[52] **U.S. Cl.** **D12/221**

FIG. 2 is a side elevational view thereof;

[58] **Field of Search** D12/221, 400;

FIG. 3 is a top plan view thereof;

296/39.2, 39.1, 37.1, 37.16; 224/42.33,
42.34, 542

FIG. 4 is front elevational view thereof;

FIG. 5 is a bottom plan view thereof; and,

FIG. 6 is rear elevational view thereof.

[56] References Cited

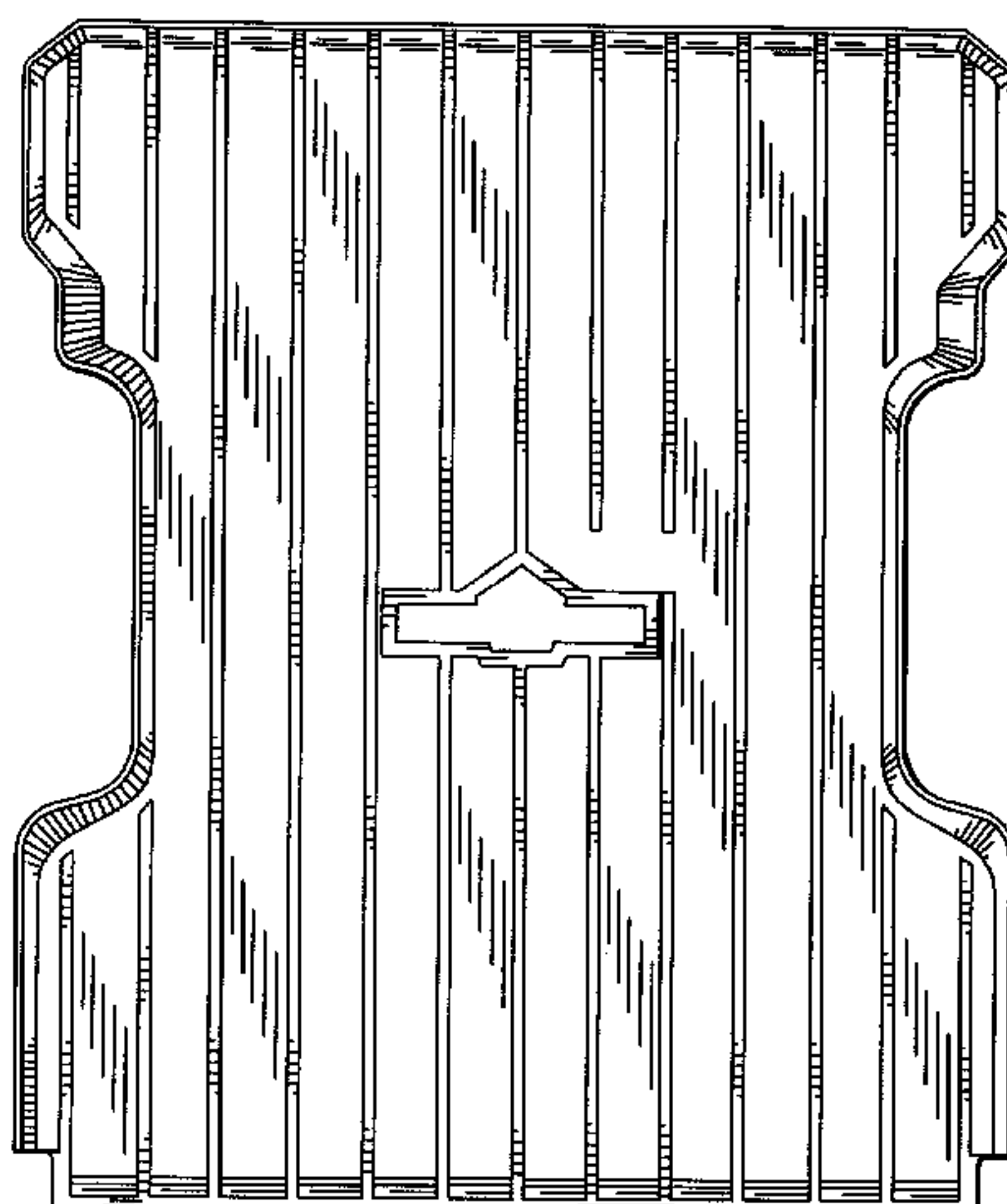
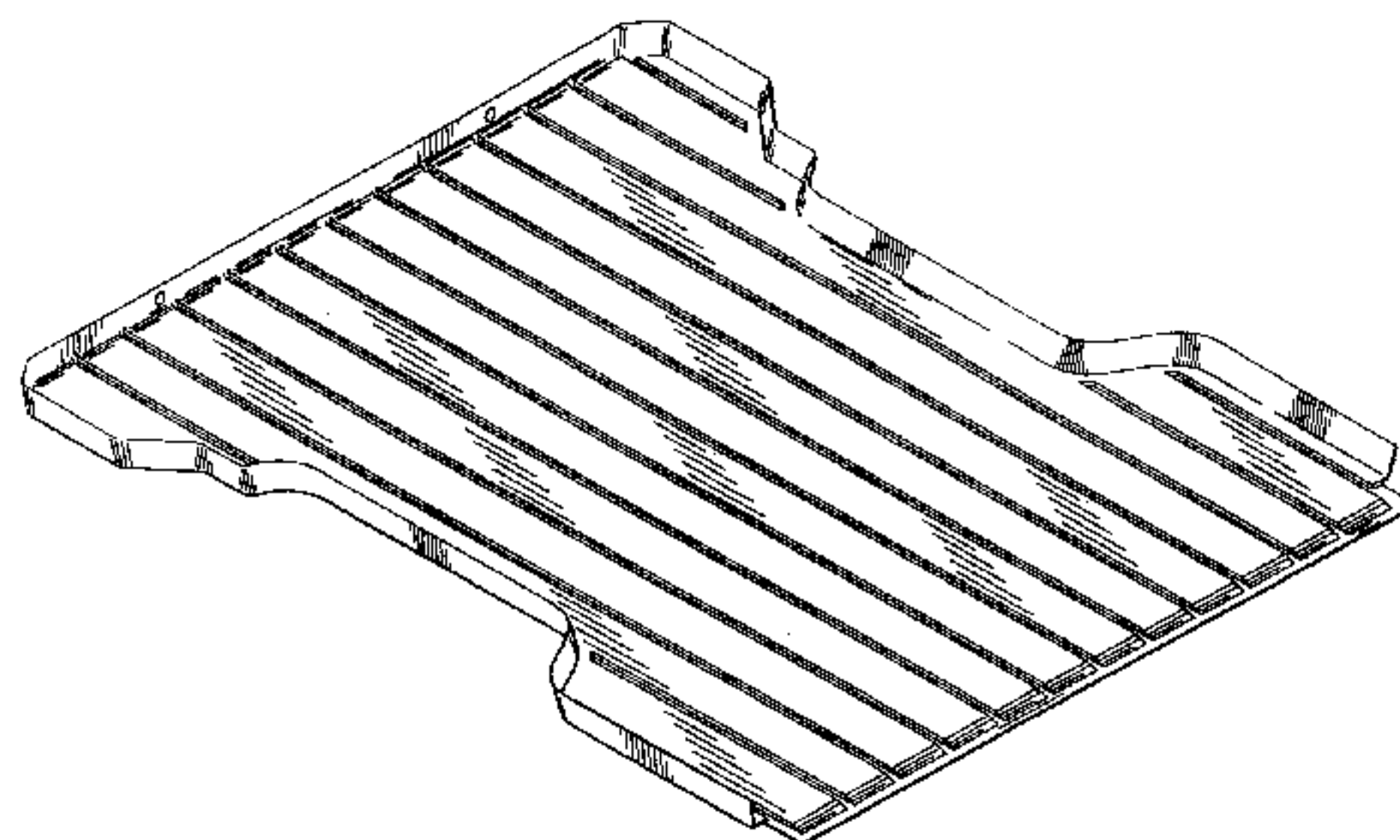
U.S. PATENT DOCUMENTS

D. 293,226	12/1987	Whitson	D12/221
D. 302,143	7/1989	Whitson	D12/221
D. 377,780	2/1997	MacNeil	D12/221
4,592,583	6/1986	Dresen et al.	.	
5,083,827	1/1992	Hollenbaugh, Sr.	.	
5,167,433	12/1992	Ryan	.	
5,269,447	12/1993	Gower et al.	.	

FIG. 7 is a top plan view of an alternative embodiment of the truck bed tray of our invention, the side elevational view being shown in FIG. 2, the front elevational view being shown in FIG. 4, and the rear elevational view being shown in FIG. 6; and,

FIG. 8 is a bottom plan view thereof.

1 Claim, 5 Drawing Sheets



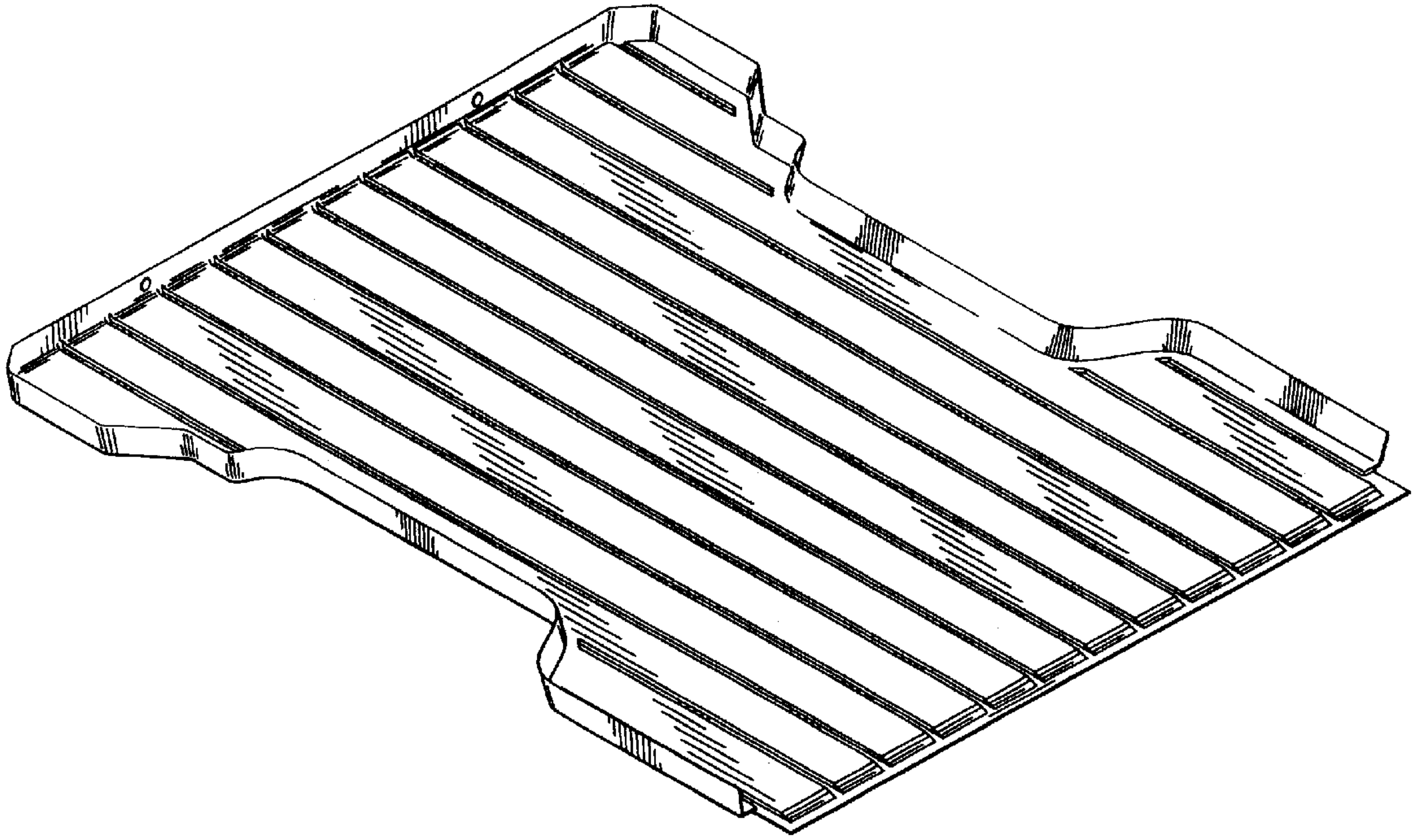


FIG. 1



FIG. 2

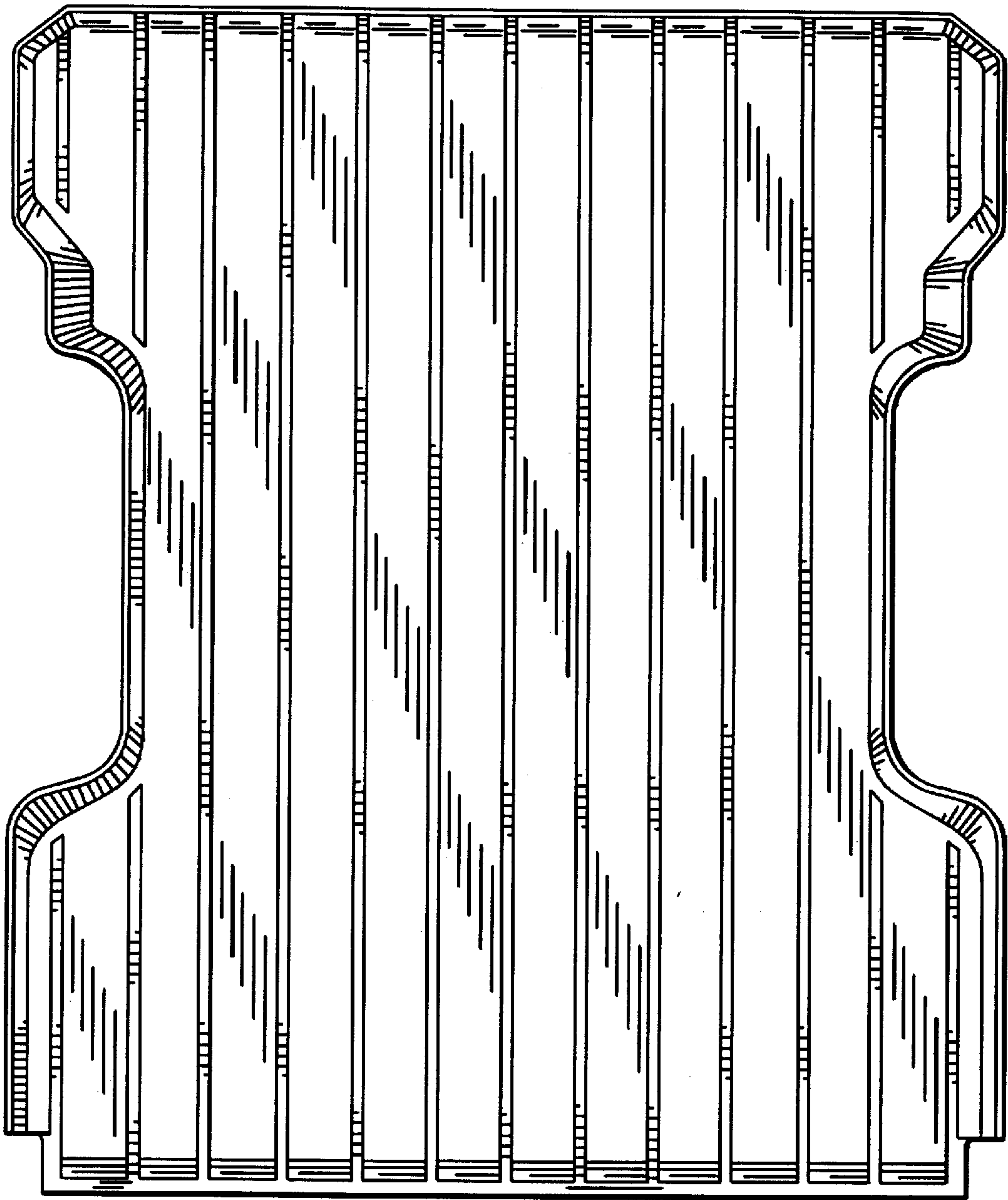


FIG. 3



FIG. 4

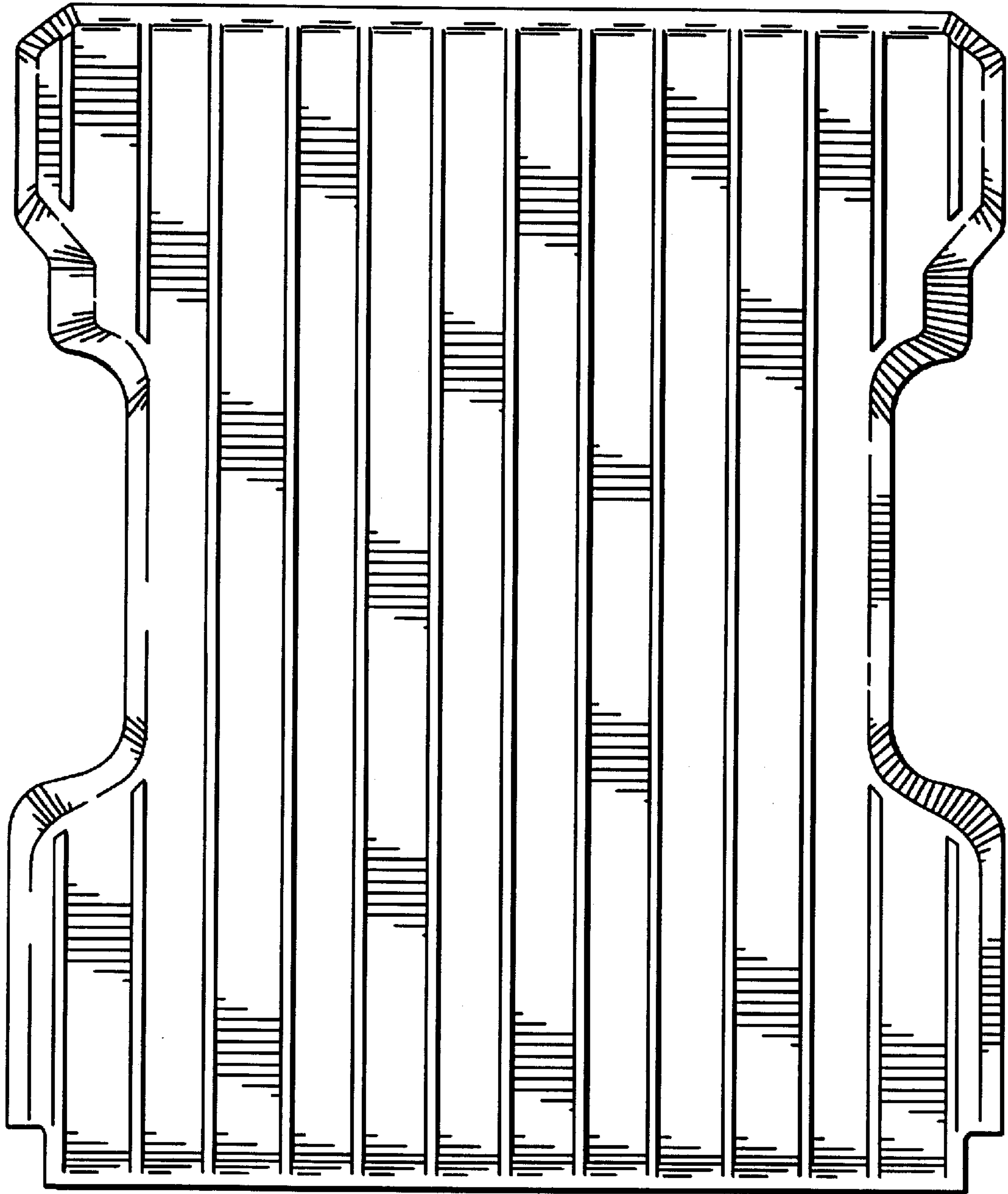


FIG. 5



FIG. 6

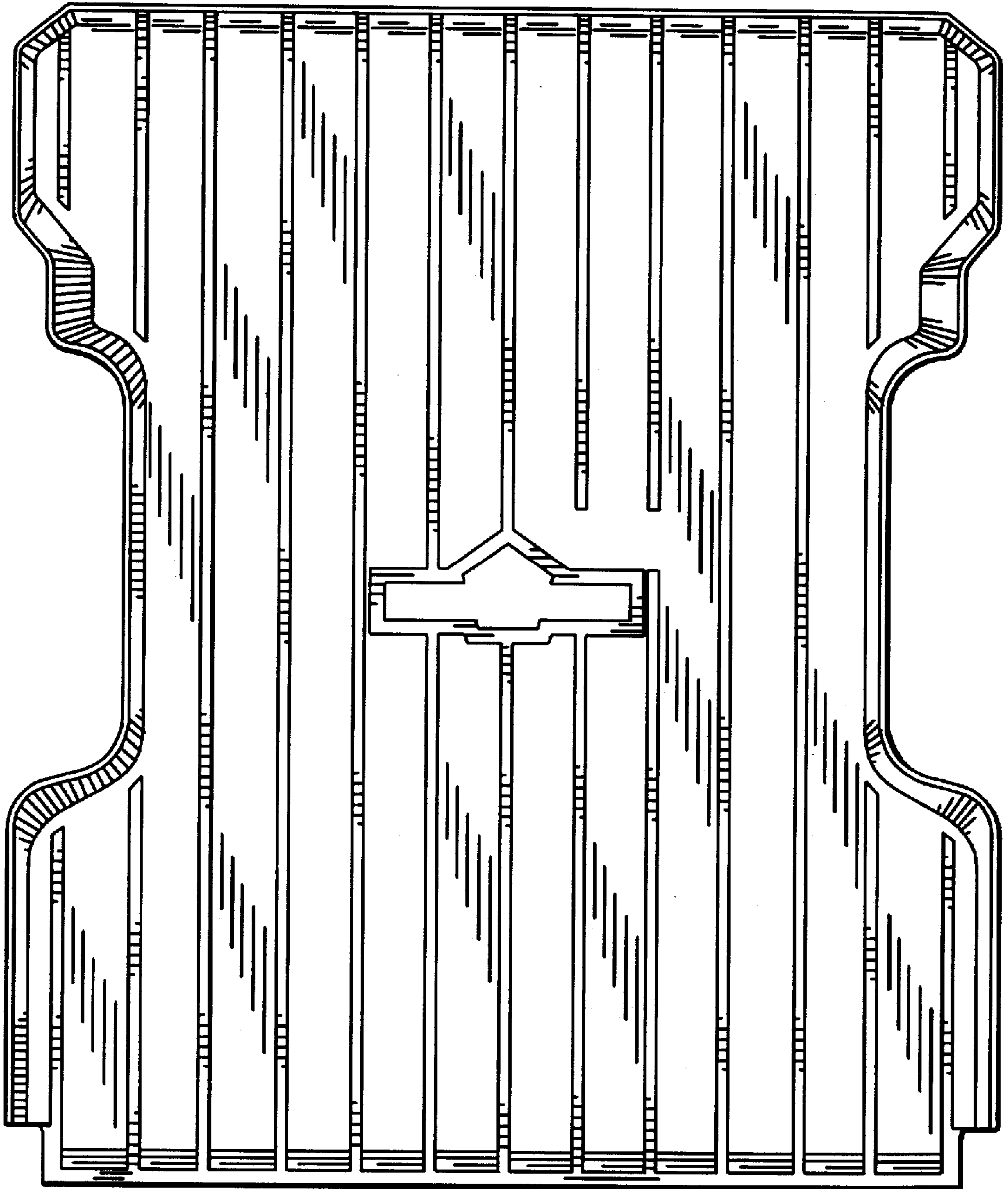


FIG. 7

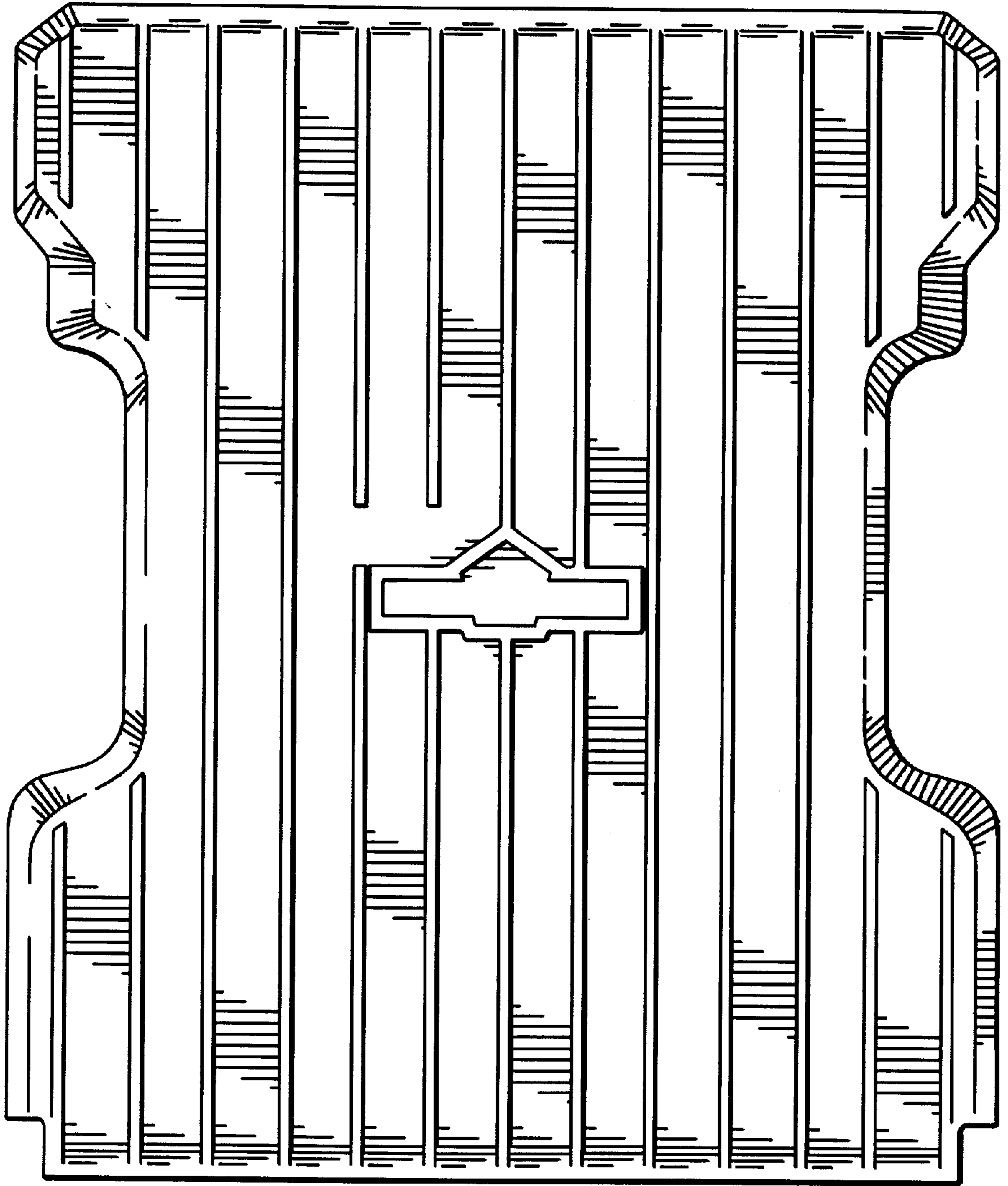


FIG. 8