



US00D419949S

United States Patent [19]
Hundrieser

[11] **Patent Number: Des. 419,949**

[45] **Date of Patent: ** Feb. 1, 2000**

[54] **AUTOMOBILE PARKING MAT**

2,730,196 1/1956 Besoyan 188/4 R
5,266,378 11/1993 Stephenson et al. 188/32

[76] Inventor: **James H. Hundrieser**, 775 Holly Dr.,
Bartlett, Ill. 60103

Primary Examiner—Doris V. Coles
Assistant Examiner—Stacia Sinuik
Attorney, Agent, or Firm—Marshall, O’Toole, Gerstein,
Murray & Borun

[**] Term: **14 Years**

[21] Appl. No.: **29/087,371**

[57] **CLAIM**

[22] Filed: **May 1, 1998**

The ornamental design for an automobile parking mat, as shown and described.

[51] **LOC (7) Cl.** **12-06**

[52] **U.S. Cl.** **D12/217**

[58] **Field of Search** D12/217, 203,
D12/114, 120; 188/4 R, 32; 267/139, 140;
280/293; 410/30, 49

DESCRIPTION

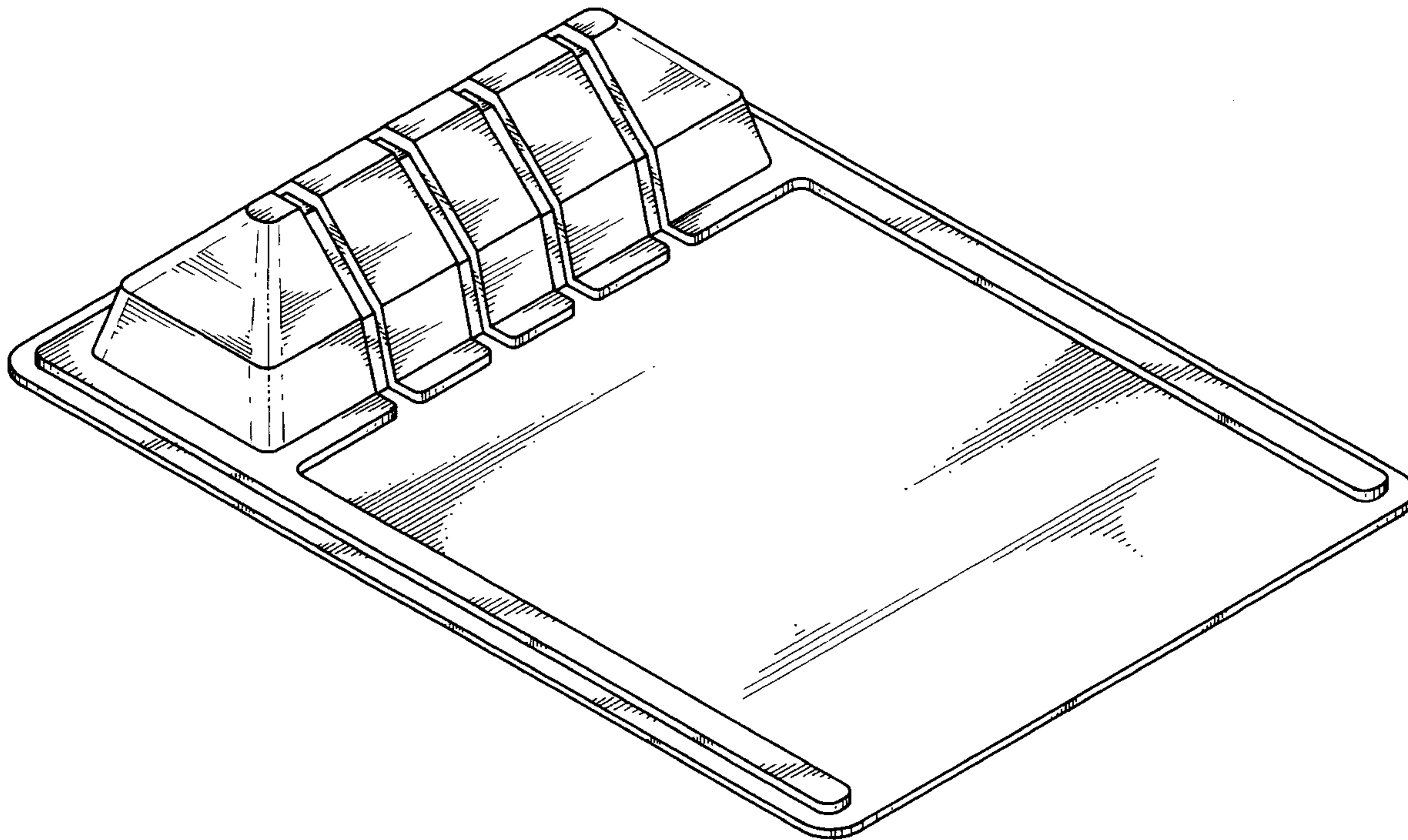
[56] **References Cited**

FIG. 1 is a perspective view of an automobile parking mat showing my new design;
FIG. 2 is an enlarged top planview thereof;
FIG. 3 is an enlarged left side elevational view thereof; it being understood that the right side is a mirror image thereof;
FIG. 4 is an enlarged rear end elevational view; and,
FIG. 5 is an enlarged front end elevational view thereof.

U.S. PATENT DOCUMENTS

D. 280,611	9/1985	Nelson	D12/217
D. 343,821	2/1994	Bush et al.	D12/217
D. 350,525	9/1994	Robinson	D12/217
D. 366,443	1/1996	Bach et al.	D12/217
D. 401,210	11/1998	Chiang	D12/217

1 Claim, 5 Drawing Sheets



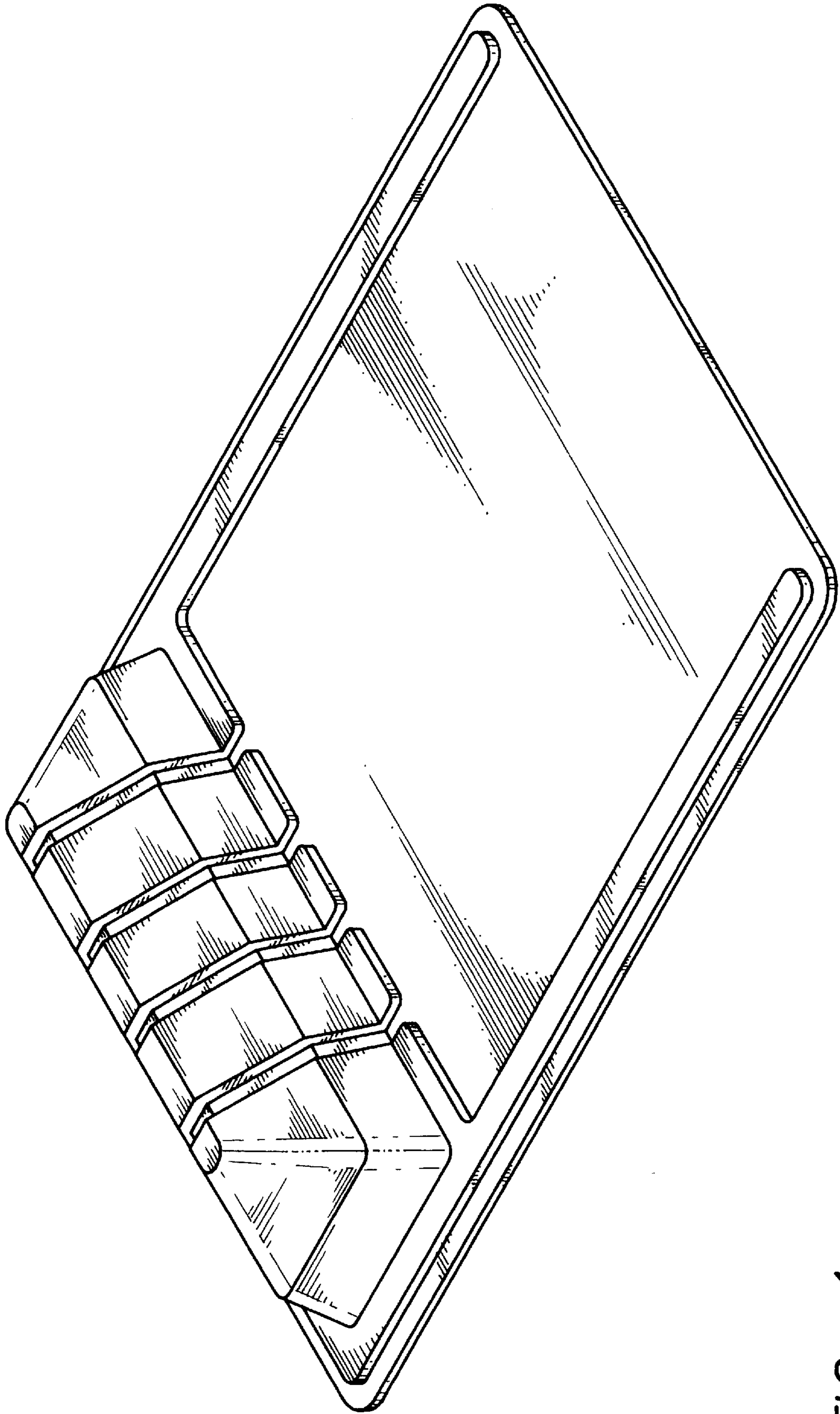


FIG. 1

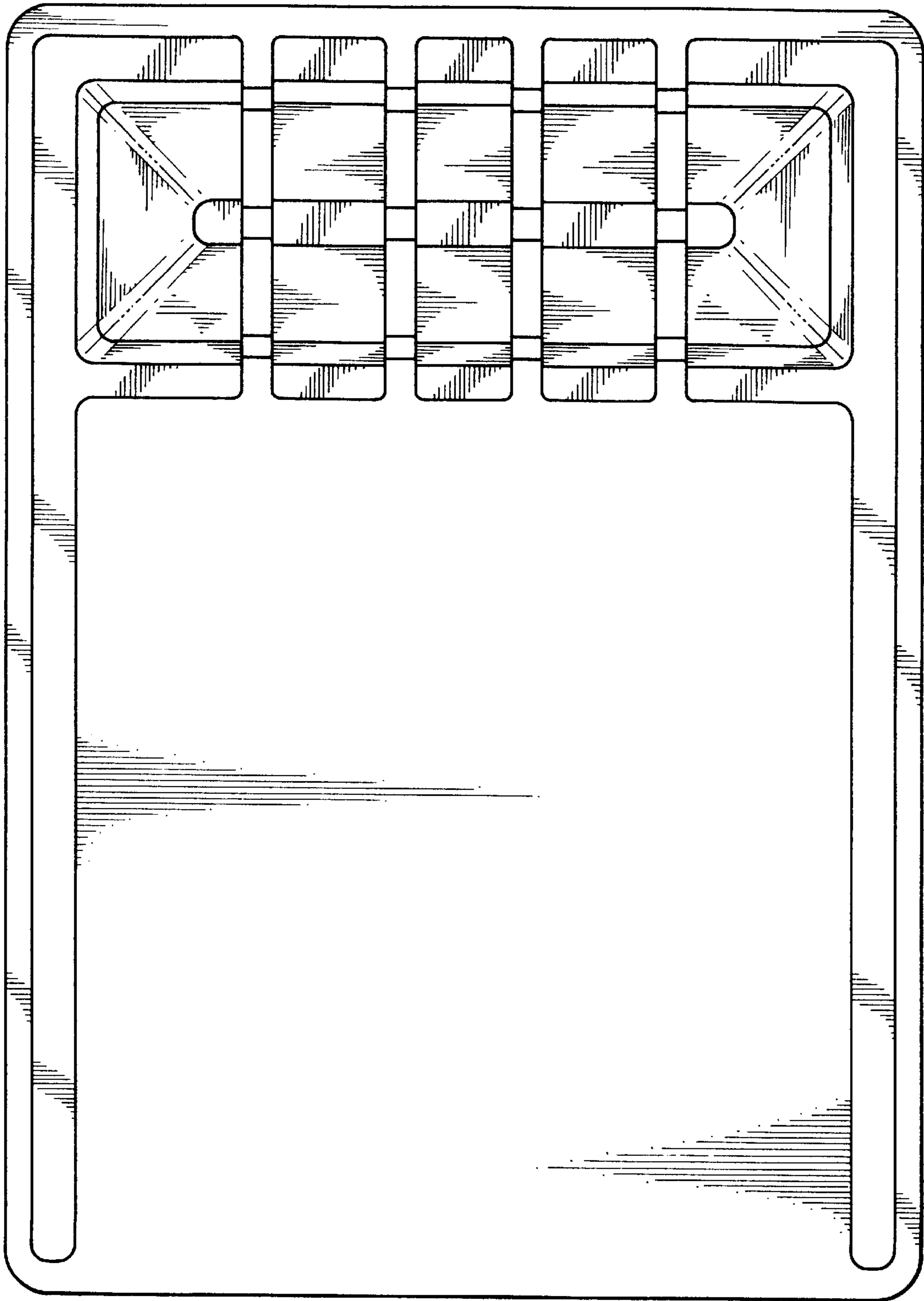


FIG. 2

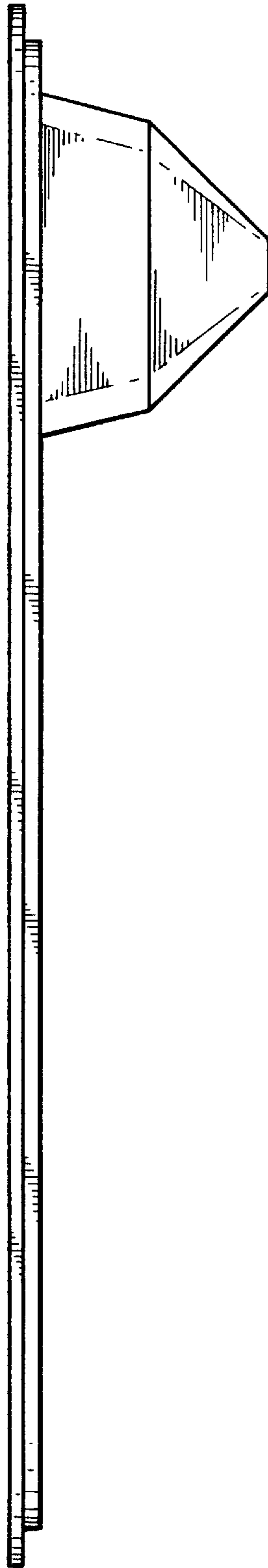


FIG. 3

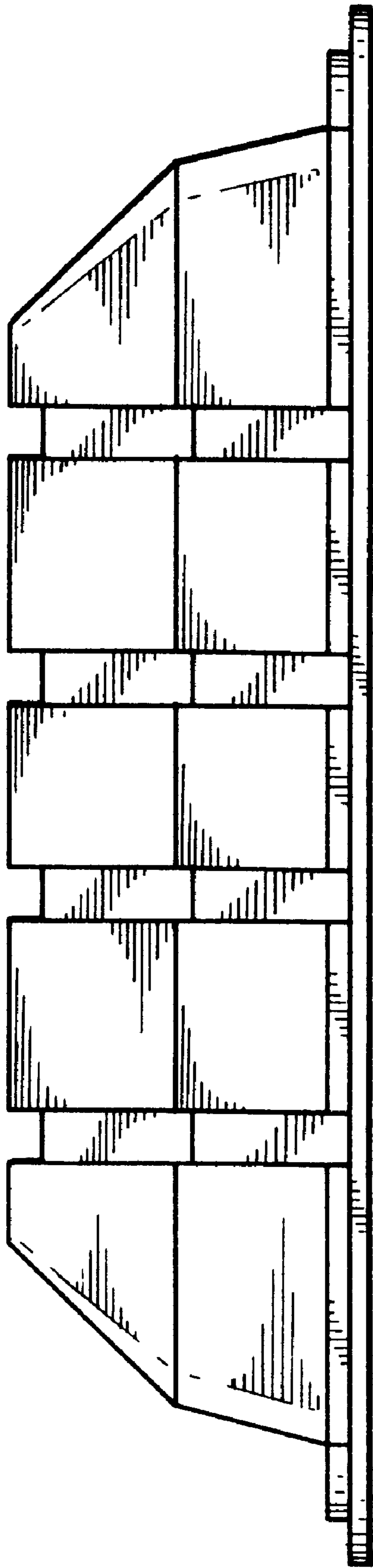


FIG. 4

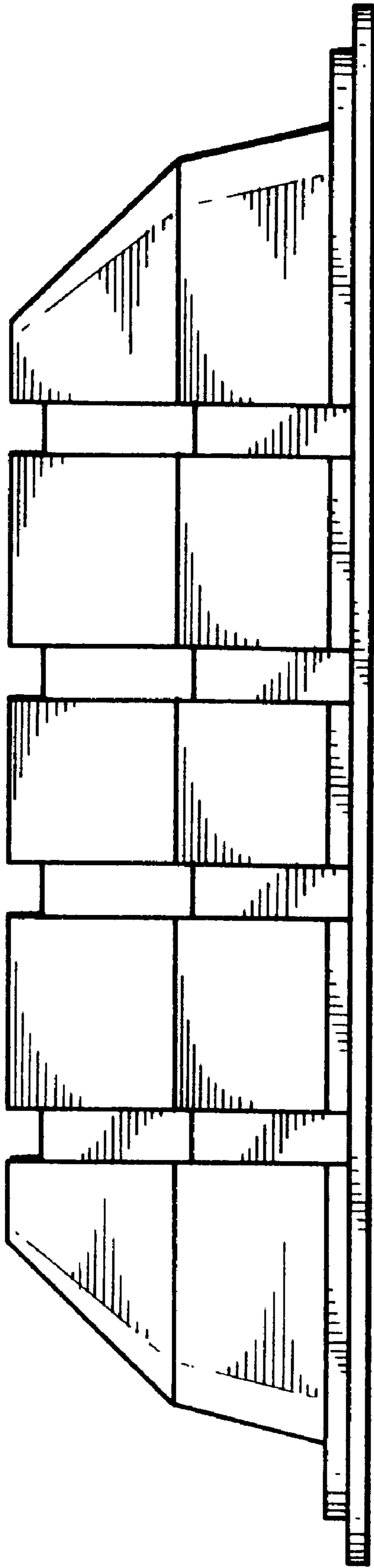


FIG. 5