



US00D419947S

# United States Patent [19] Chung

[11] Patent Number: **Des. 419,947**

[45] Date of Patent: **\*\* Feb. 1, 2000**

[54] **AUTOMOTIVE WHEEL**

[75] Inventor: **Suny Chung**, Placentia, Calif.

[73] Assignee: **DM Tech America, Inc.**, Cerritos, Calif.

[\*\*] Term: **14 Years**

[21] Appl. No.: **29/101,867**

[22] Filed: **Mar. 12, 1999**

[51] **LOC (7) Cl.** ..... **12-16**

[52] **U.S. Cl.** ..... **D12/211**

[58] **Field of Search** ..... D12/204-213;  
301/64.1, 65, 37.1

D. 403,649	1/1999	Moreno	.....	D12/211
D. 405,749	2/1999	Kulla	.....	D12/211
D. 409,132	5/1999	Cullen	.....	D12/211
D. 409,548	5/1999	Chung	.....	D12/209
D. 411,501	6/1999	Cullen	.....	D12/209
D. 411,502	6/1999	Chung	.....	D12/211
D. 412,148	7/1999	Fitzgerald	.....	D12/209

*Primary Examiner*—Doris V. Coles  
*Assistant Examiner*—Stacia Sinuik  
*Attorney, Agent, or Firm*—G Donald Weber, Jr.

### [57] CLAIM

The ornamental design for an automotive wheel, as shown and described.

### DESCRIPTION

FIG. 1 is an oblique view of the automotive wheel of the instant invention; and, FIG. 2 is a front view of the automotive wheel of the instant invention.

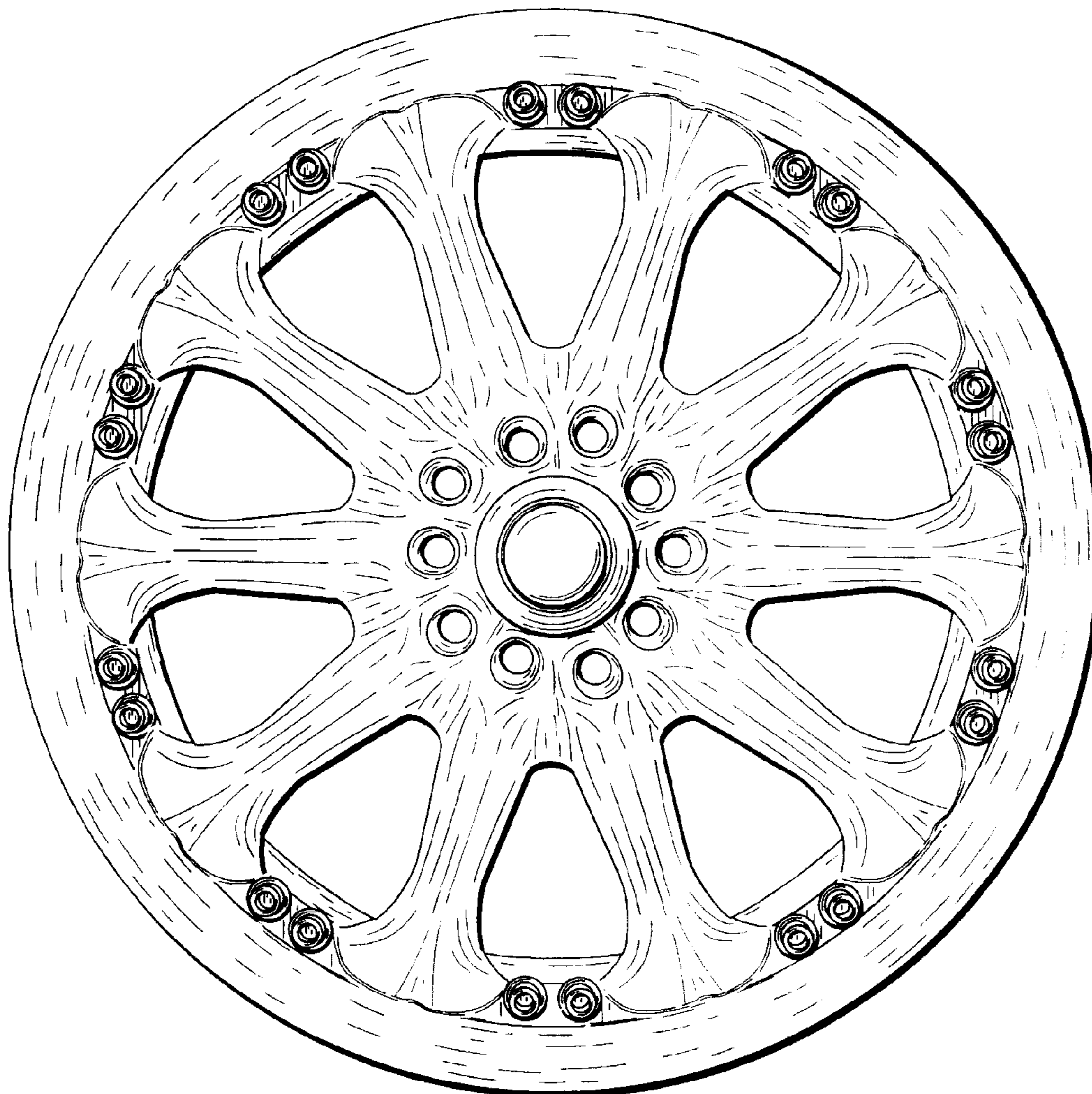
The broken line showing of environment is for illustrative purposes only and forms no part of the claimed design.

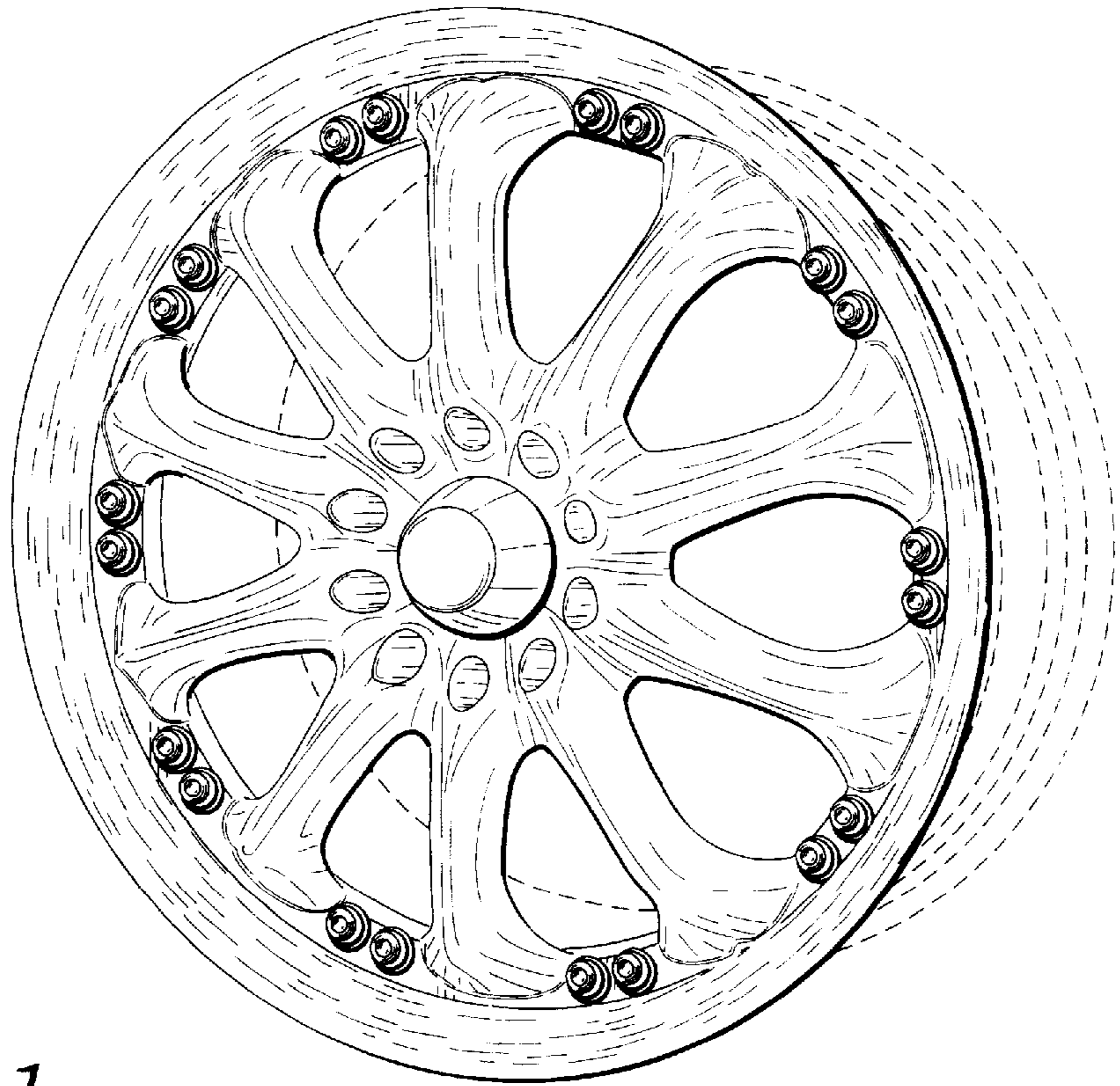
**1 Claim, 1 Drawing Sheet**

### [56] References Cited

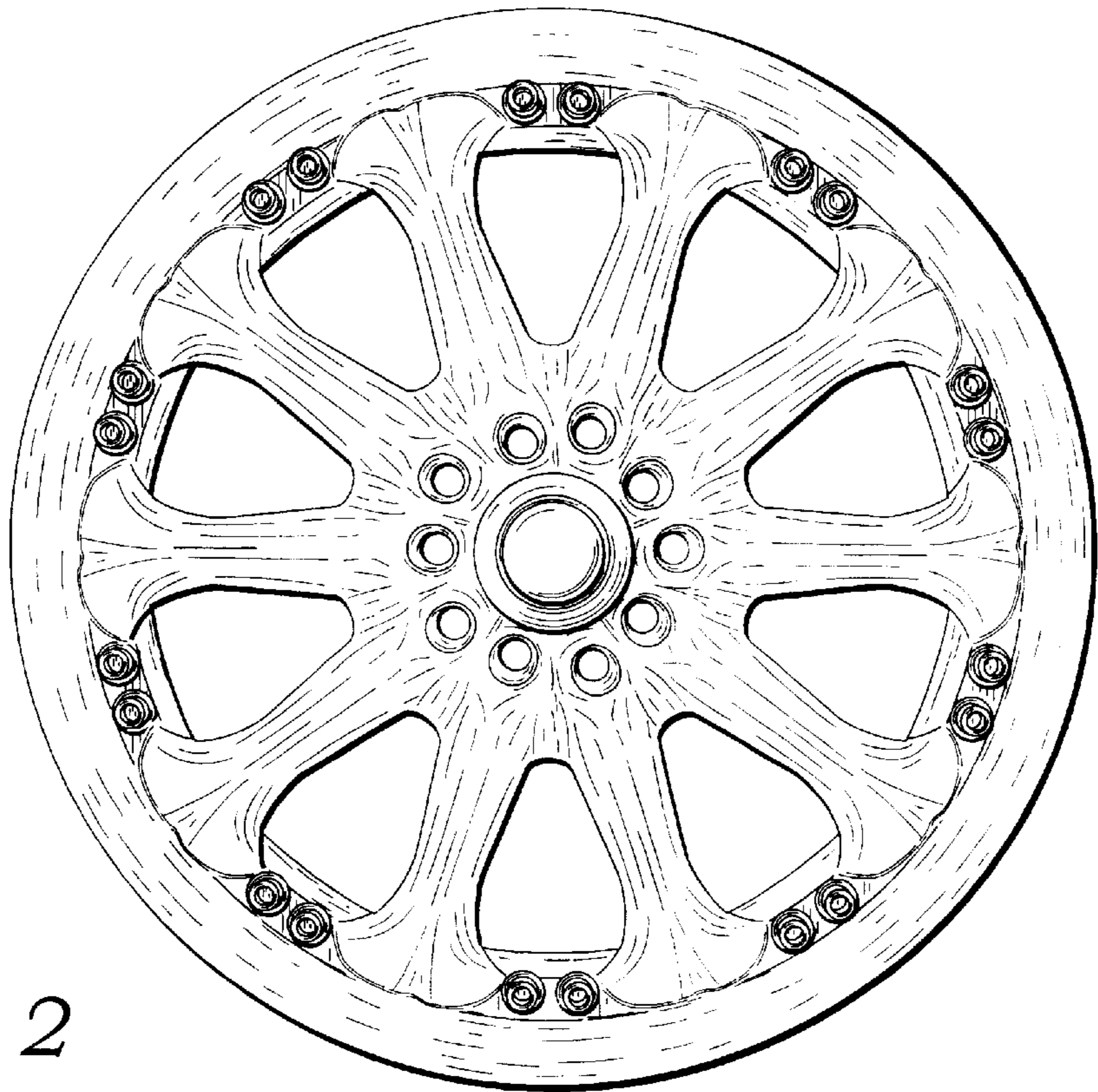
#### U.S. PATENT DOCUMENTS

D. 375,075	10/1996	Kugler	.....	D12/209
D. 377,471	1/1997	Stach	.....	D12/209
D. 396,208	7/1998	Baumgartner et al.	.....	D12/211
D. 399,470	10/1998	Saco et al.	.....	D12/209
D. 402,251	12/1998	Timm	.....	D12/211





*Fig. 1*



*Fig. 2*