



US00D419944S

**United States Patent** [19]  
**Chen**

[11] **Patent Number: Des. 419,944**

[45] **Date of Patent: \*\* Feb. 1, 2000**

[54] **AUTOMOTIVE WHEEL**

[75] Inventor: **Henry J. Chen**, Palos Verdes Estates, Calif.

[73] Assignee: **Prime Wheel Corporation**, Harbor City, Calif.

[\*\*] Term: **14 Years**

[21] Appl. No.: **29/106,994**

[22] Filed: **Jun. 28, 1999**

[51] **LOC (7) Cl.** ..... **12-16**

[52] **U.S. Cl.** ..... **D12/209**

[58] **Field of Search** ..... D12/204-213;  
301/64.1, 65, 37.1

[56] **References Cited**

**U.S. PATENT DOCUMENTS**

D. 366,641	1/1996	Neeper	.....	D12/209
D. 385,246	10/1997	Neeper	.....	D12/209
D. 385,842	11/1997	Cullen	.....	D12/209
D. 386,740	11/1997	Cullen	.....	D12/209
D. 390,822	2/1998	Neeper	.....	D12/209
D. 391,544	3/1998	Noriega	.....	D12/209
D. 393,442	4/1998	Noriega	.....	D12/209
D. 395,862	7/1998	Cullen	.....	D12/209

D. 396,441	7/1998	Nishida	.....	D12/209
D. 396,443	7/1998	Neeper	.....	D12/209
D. 396,444	7/1998	Neeper	.....	D12/209
D. 398,277	9/1998	Neeper	.....	D12/209
D. 399,180	10/1998	Neeper	.....	D12/209
D. 399,811	10/1998	Echazabal	.....	D12/209
D. 400,154	10/1998	Noriega	.....	D12/209
D. 404,700	1/1999	Celeste	.....	D12/209
D. 405,043	2/1999	Moreno	.....	D12/209
D. 408,334	4/1999	Kelley	.....	D12/209
D. 409,547	5/1999	Chung	.....	D12/209
D. 409,550	5/1999	Chung	.....	D12/209

*Primary Examiner*—Jeffrey Asch  
*Assistant Examiner*—Stacia Sinuik  
*Attorney, Agent, or Firm*—Fulwider Patton Lee & Utecht, LLP

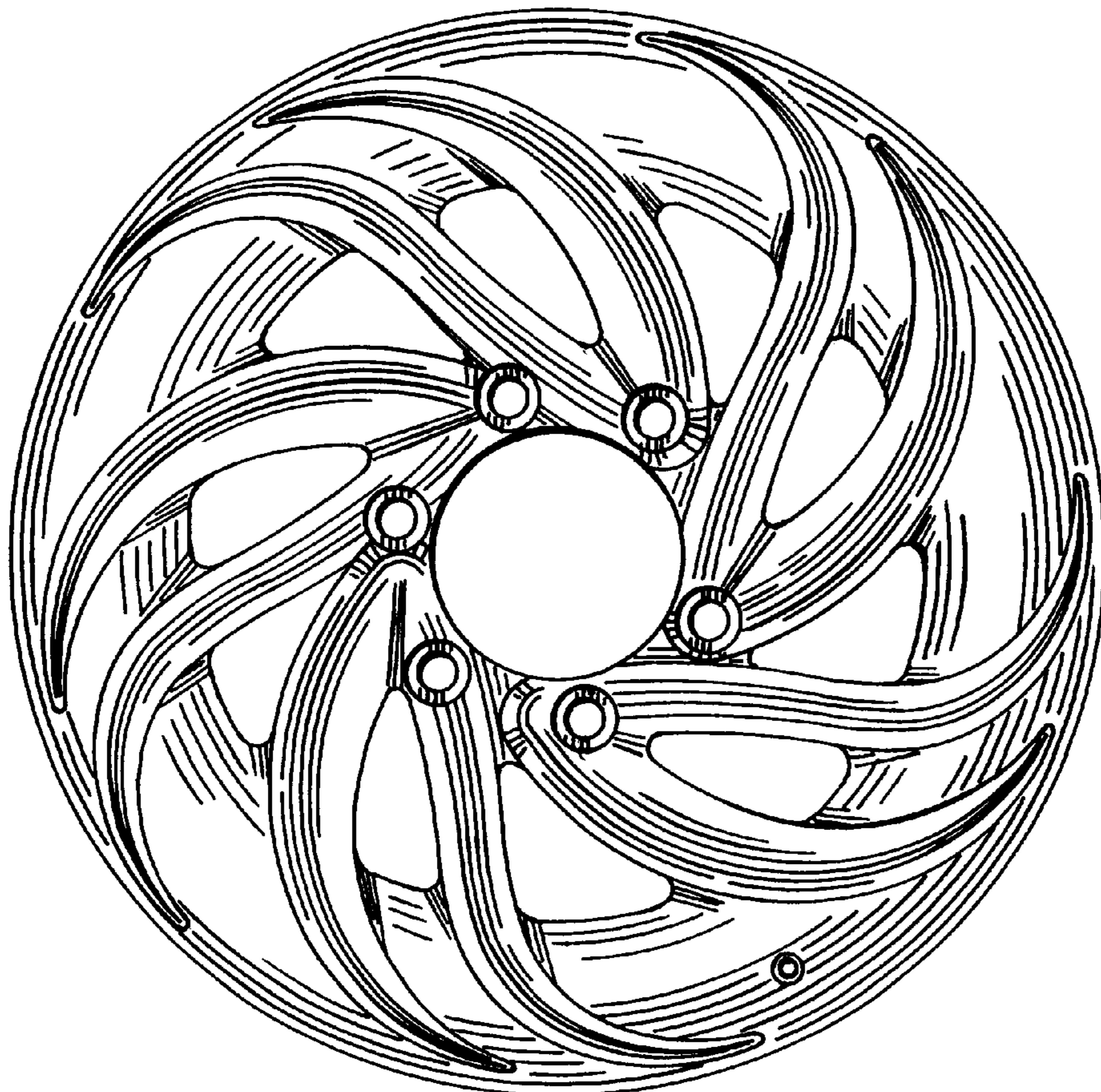
[57] **CLAIM**

The ornamental design for an automotive wheel, as shown and described.

**DESCRIPTION**

FIG. 1 is a perspective view of an automotive wheel showing my new design; FIG. 2 is a front view thereof; and, FIG. 3 is a left side view thereof.

**1 Claim, 1 Drawing Sheet**



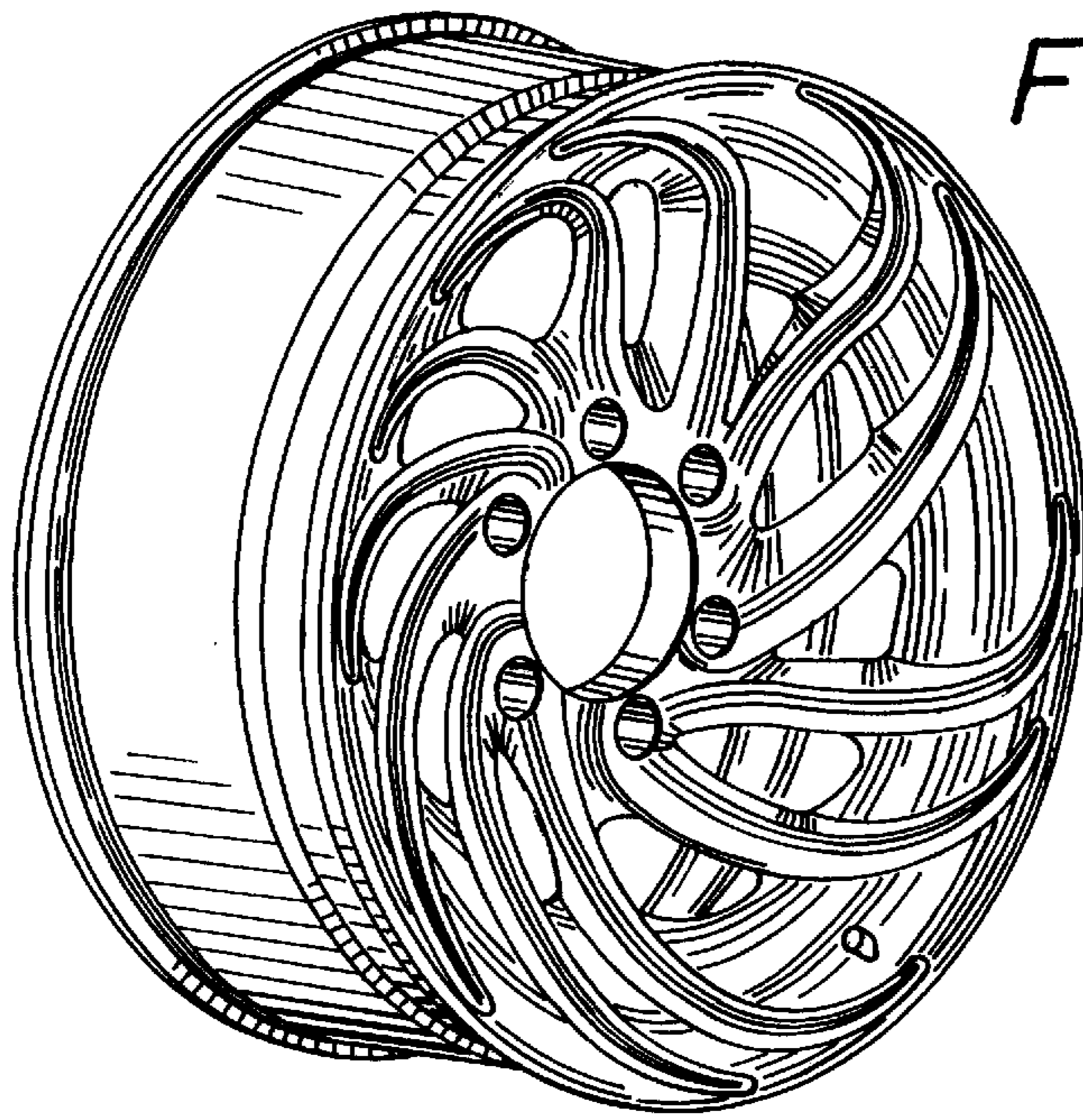


FIG. 1

FIG. 2

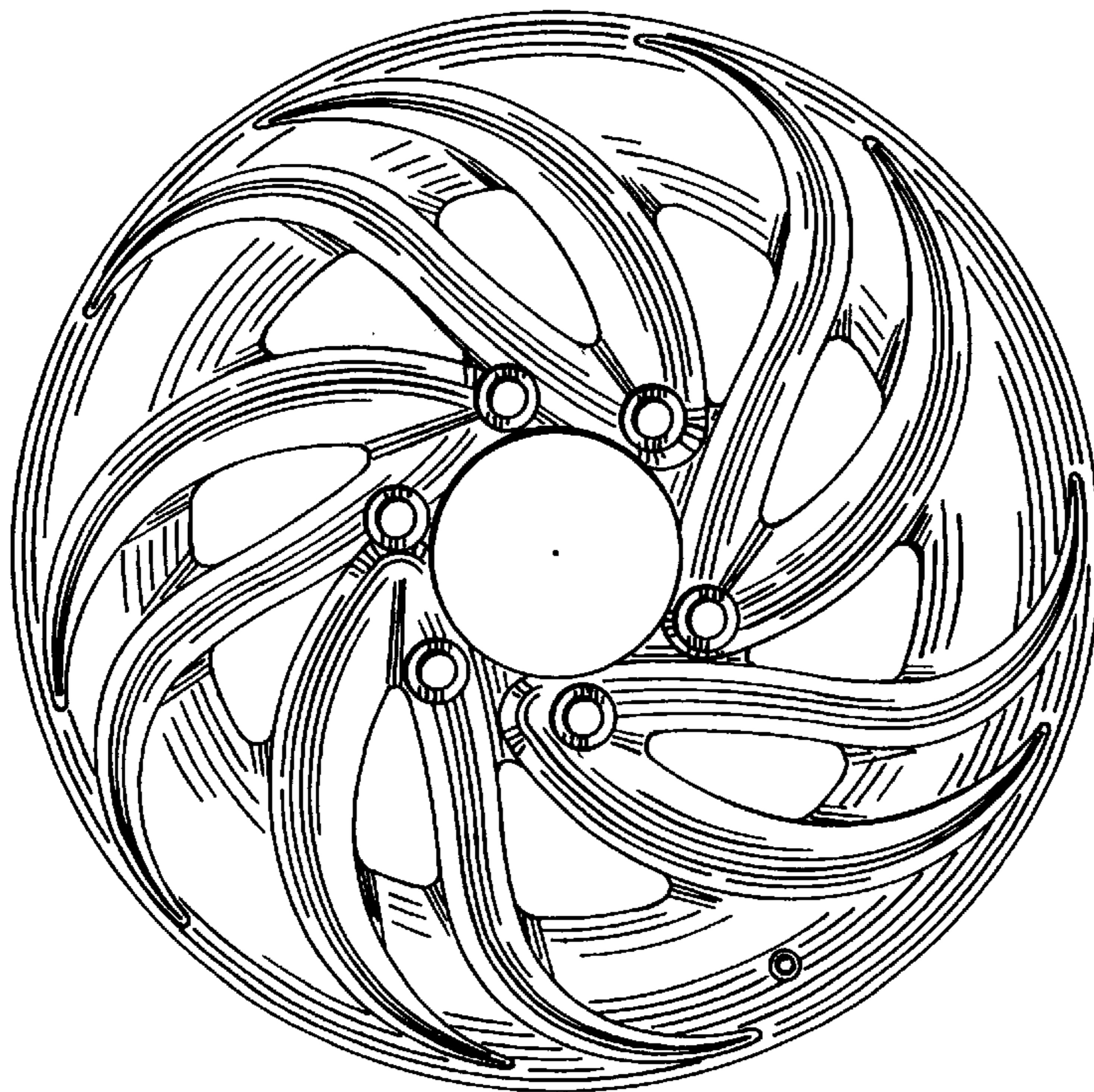


FIG. 3

