



US00D419942S

United States Patent [19] Lampkin

[11] Patent Number: Des. 419,942

[45] Date of Patent: ** Feb. 1, 2000

[54] FRONT FACE OF A VEHICLE WHEEL

[75] Inventor: Ivanov Lampkin, Munich, Germany

[73] Assignee: Bayerische Motoren Werke
Aktiengesellschaft, Munich, Germany

[**] Term: 14 Years

[21] Appl. No.: 29/099,964

[22] Filed: Feb. 1, 1999

[30] Foreign Application Priority Data

Jul. 31, 1998 [DE] Germany 498 07 825

[51] LOC (7) Cl. 12-16

[52] U.S. Cl. D12/209

[58] Field of Search D12/204-213;
301/64.1, 65, 37.1

[56] References Cited

U.S. PATENT DOCUMENTS

- D. 46,710 11/1914 West D12/211
- D. 268,260 3/1983 Kerschbaum et al. D12/209
- D. 284,073 6/1986 Flodman D12/211

- 328,555 10/1885 Wing 301/65
- 361,914 4/1887 Wing 301/65
- D. 387,320 12/1997 Niles D12/211
- D. 398,278 9/1998 Brown et al. D12/211
- D. 410,617 6/1999 Hussaini et al. D12/209
- D. 412,480 8/1999 Hussaini et al. D12/209
- 1,521,834 1/1925 Raymond 301/65

Primary Examiner—Doris V. Coles
Assistant Examiner—Stacia Sinuik
Attorney, Agent, or Firm—Evenson, McKeown, Edwards & Lenahan, P.L.L.C.

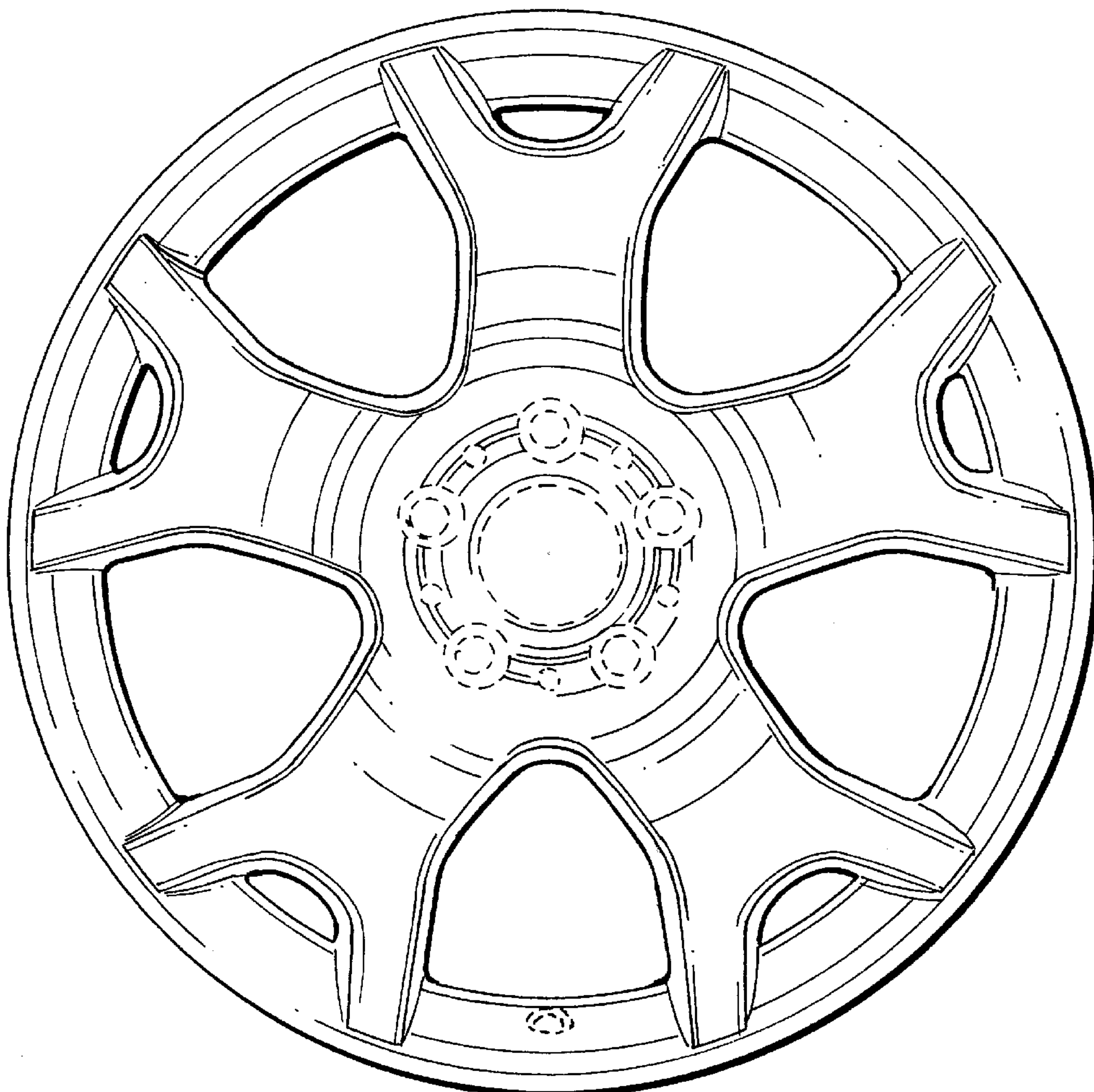
[57] CLAIM

The ornamental design for a front face of a vehicle wheel, as shown and described.

DESCRIPTION

FIG. 1 is a front view of a front face of a vehicle wheel according to my novel design; and, FIG. 2 is a perspective view from the front side of a front face of a vehicle wheel according to my novel design. The dashed line included depicts environment and is not part of the claimed design.

1 Claim, 2 Drawing Sheets



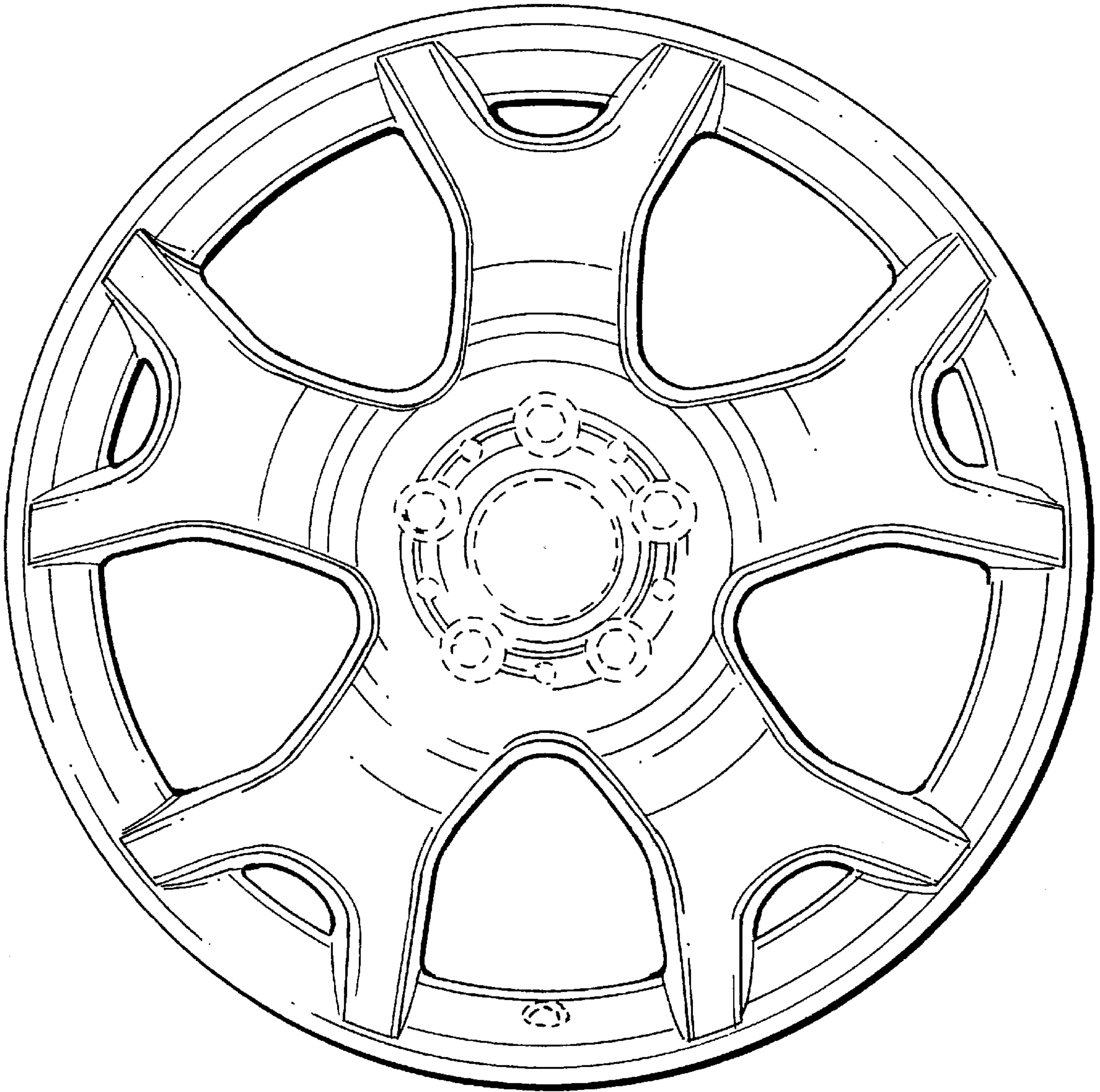


FIG. 1

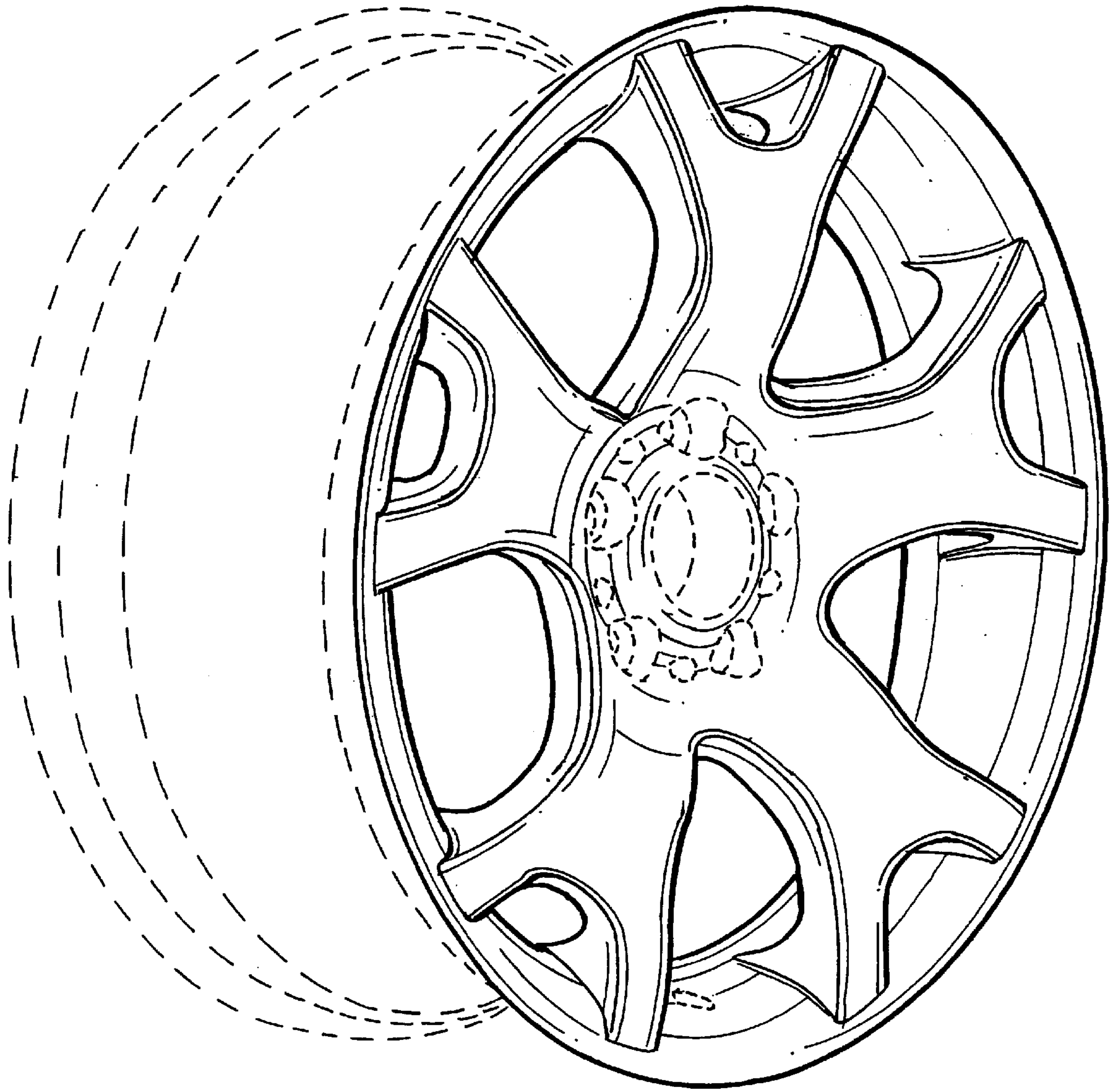


FIG. 2