



US00D419940S

United States Patent [19]

Sacco et al.

[11] Patent Number: **Des. 419,940**

[45] Date of Patent: **** Feb. 1, 2000**

[54] **FRONT FACE OF A VEHICLE WHEEL**

[75] Inventors: **Bruno Sacco**, Sindelfingen; **Peter Pfeiffer**, Boeblingen; **Michael Mauer**, Ettlingen; **Klaus Busse**, Magstadt, all of Germany

[73] Assignee: **DaimlerChrysler AG**, Germany

[**] Term: **14 Years**

[21] Appl. No.: **29/095,249**

[22] Filed: **Oct. 20, 1998**

[30] **Foreign Application Priority Data**

Apr. 20, 1998 [DE] Germany M 98 03 906

[51] **LOC (7) Cl.** **12-16**

[52] **U.S. Cl.** **D12/209**

[58] **Field of Search** D12/204-213;
301/64.1, 65, 37.1

[56] **References Cited**

U.S. PATENT DOCUMENTS

- D. 267,488 1/1983 Hayashi D12/211
- D. 302,264 7/1989 Soederberg D12/209
- D. 367,031 2/1996 Hubbach D12/209

- D. 371,533 7/1996 Castiglione D12/209
- D. 372,698 8/1996 Mantua D12/209
- D. 377,471 1/1997 Stach D12/209
- D. 389,112 1/1998 Chung D12/209
- D. 392,237 3/1998 Kelley D12/209
- D. 392,930 3/1998 Embrador D12/209
- D. 398,274 9/1998 Hartmann, Jr. D12/209
- D. 399,470 10/1998 Sacco et al. D12/209
- D. 409,968 5/1999 Goplen D12/211
- D. 412,479 8/1999 Sacco et al. D12/209

Primary Examiner—Doris V. Coles
Assistant Examiner—Stacia Cadmus
Attorney, Agent, or Firm—Evenson, McKeown, Edwards & Lenahan, P.L.L.C.

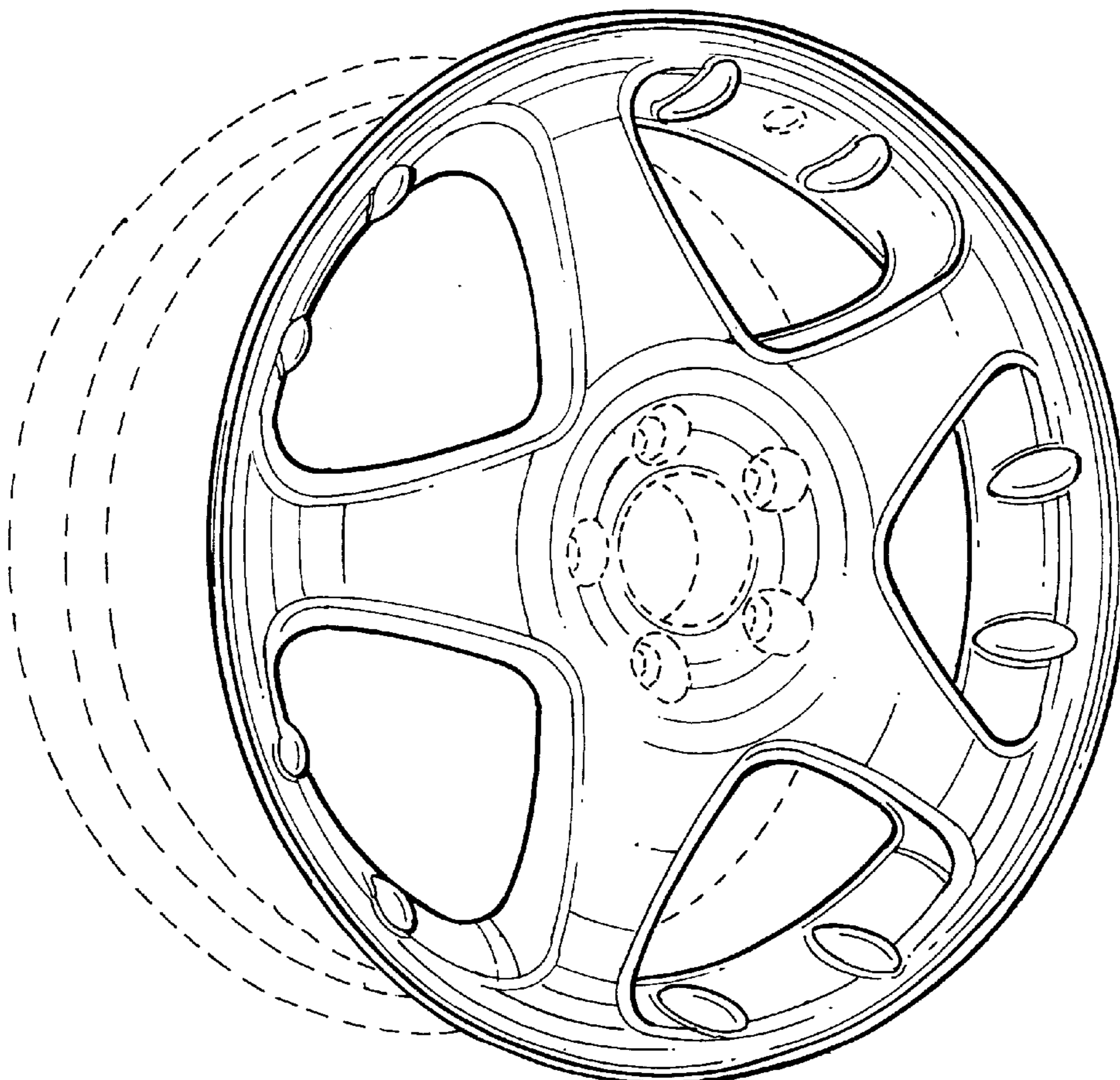
[57] **CLAIM**

The ornamental design for a front face of a vehicle wheel, as shown and described.

DESCRIPTION

FIG. 1 is a front view of a front face of a vehicle wheel according to our novel design; and, FIG. 2 is a perspective view from the front side view of a front face of a vehicle wheel according to our novel design. The dash line included depicts environment and is not part of the claimed design.

1 Claim, 1 Drawing Sheet



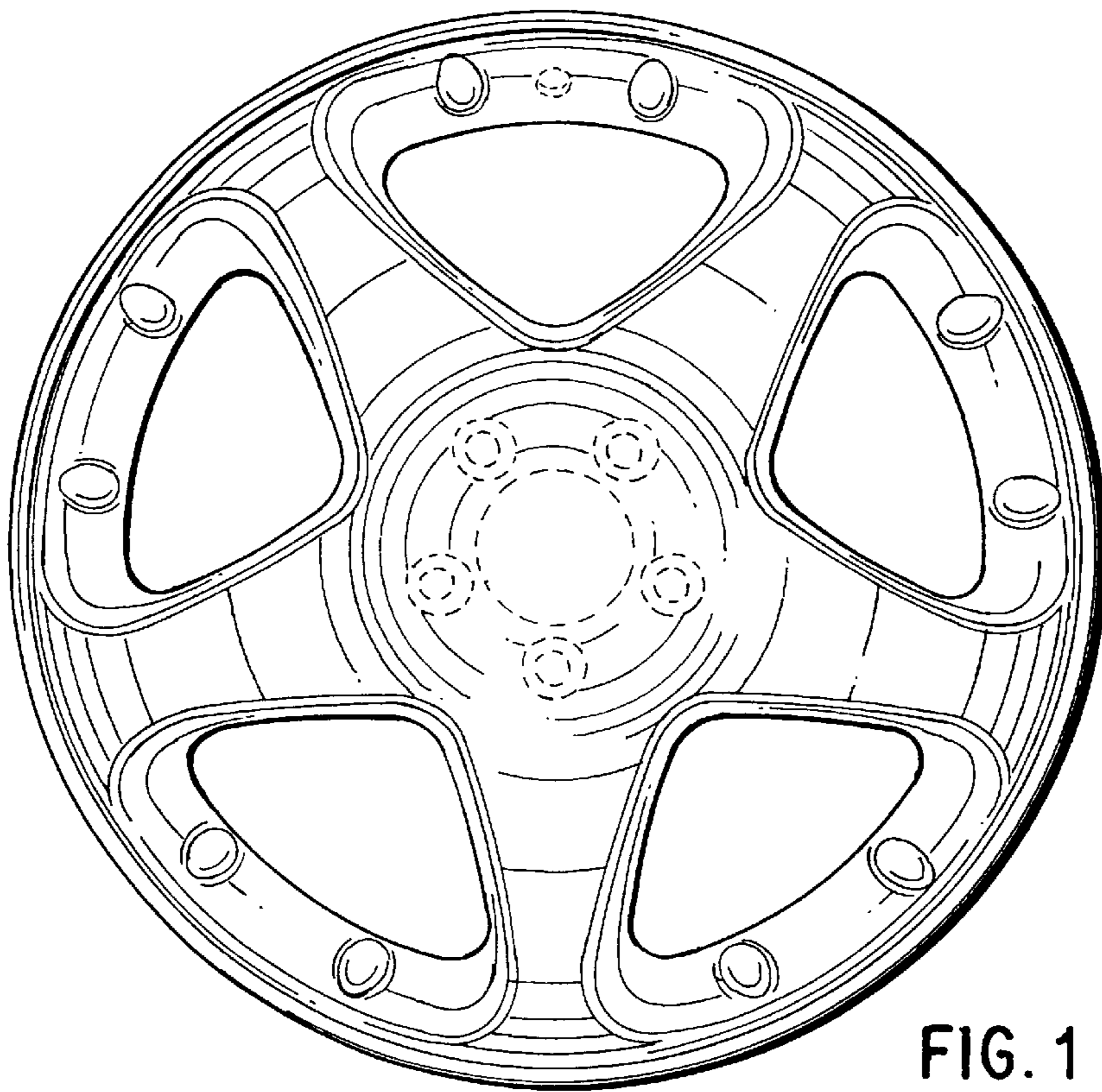


FIG. 1

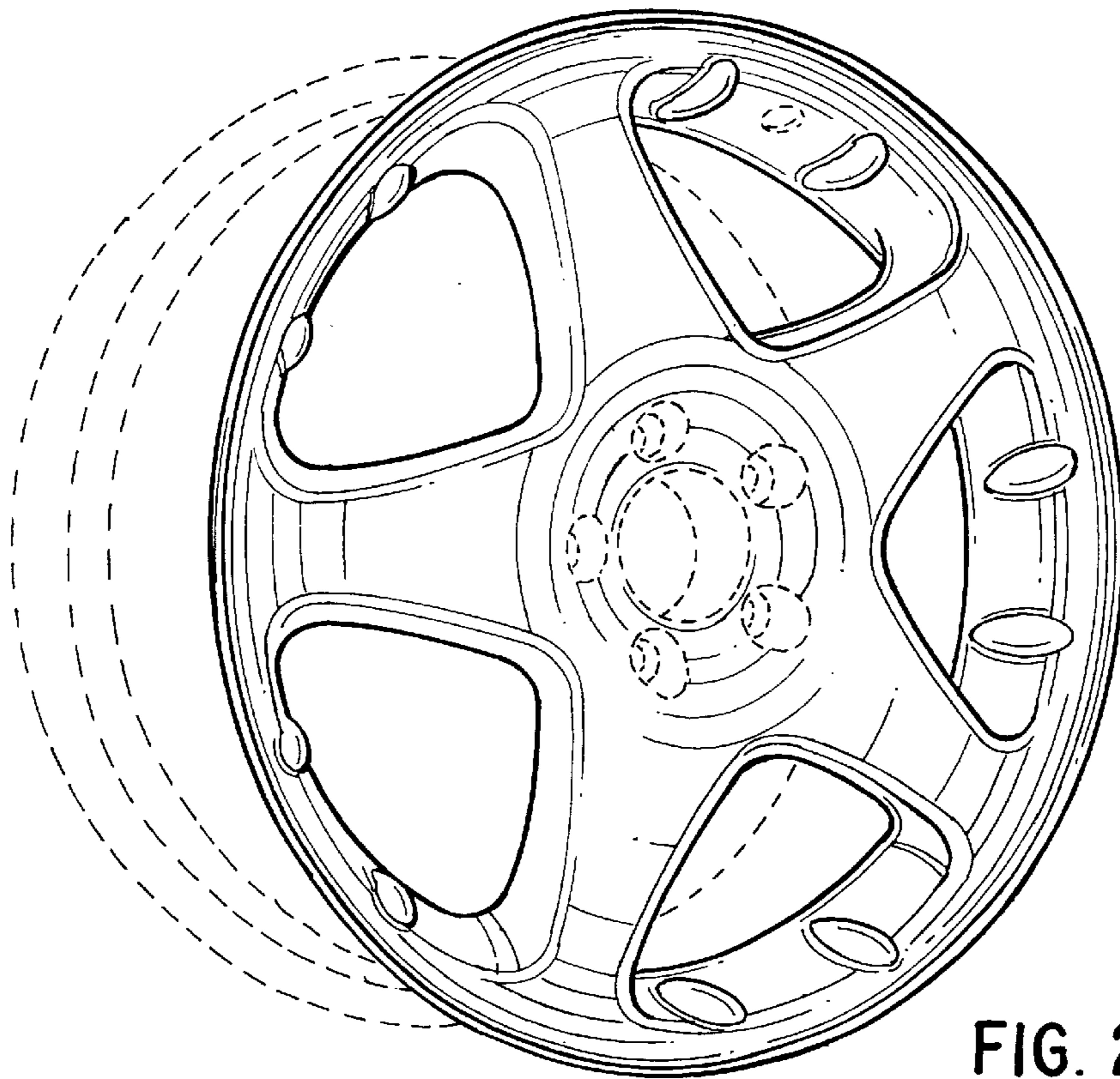


FIG. 2