



US00D419936S

# United States Patent [19]

[11] **Patent Number: Des. 419,936**

**Sacco et al.**

[45] **Date of Patent: \*\* Feb. 1, 2000**

[54] **MOTOR VEHICLE INSTRUMENT PANEL**

[75] Inventors: **Bruno Sacco**, Sindelfingen; **Peter Pfeiffer**, Boeblingen; **Hans-Dieter Futschik**, Gechingen; **Norbert Weber**, Bondorf, all of Germany

[73] Assignee: **Daimler-Benz Aktiengesellschaft**, Stuttgart, Germany

[\*\*] Term: **14 Years**

[21] Appl. No.: **29/084,291**

[22] Filed: **Feb. 27, 1998**

[30] **Foreign Application Priority Data**

Aug. 27, 1997 [DE] Germany ..... M 97 07 820

[51] **LOC (7) Cl.** ..... **12-16**

[52] **U.S. Cl.** ..... **D12/192**

[58] **Field of Search** ..... D12/192, 400, D12/415; 296/70; 180/90; 280/752

[56] **References Cited**

**U.S. PATENT DOCUMENTS**

- D. 285,915 9/1986 Luthe et al. .... D12/192
- D. 369,999 5/1996 Sacco et al. .... D12/192
- D. 372,010 7/1996 Pfeiffer et al. .... D12/192
- D. 378,585 3/1997 Duguid et al. .... D12/192

- D. 378,910 4/1997 Black et al. .... D12/192
- D. 389,798 1/1998 Ma et al. .... D12/192
- D. 394,834 6/1998 Sacco et al. .... D12/192
- D. 397,977 9/1998 Hellhake et al. .... D12/192
- D. 401,545 11/1998 Sacco et al. .... D12/192
- D. 403,641 1/1999 Sacco et al. .... D12/192
- D. 405,408 2/1999 Yoshida et al. .... D12/192

*Primary Examiner*—Doris V. Coles  
*Assistant Examiner*—Stacia Sinuik  
*Attorney, Agent, or Firm*—Evenson McKeown Edwards & Lenahan, PLLC

[57] **CLAIM**

The ornamental design for a motor vehicle instrument panel, as shown and described.

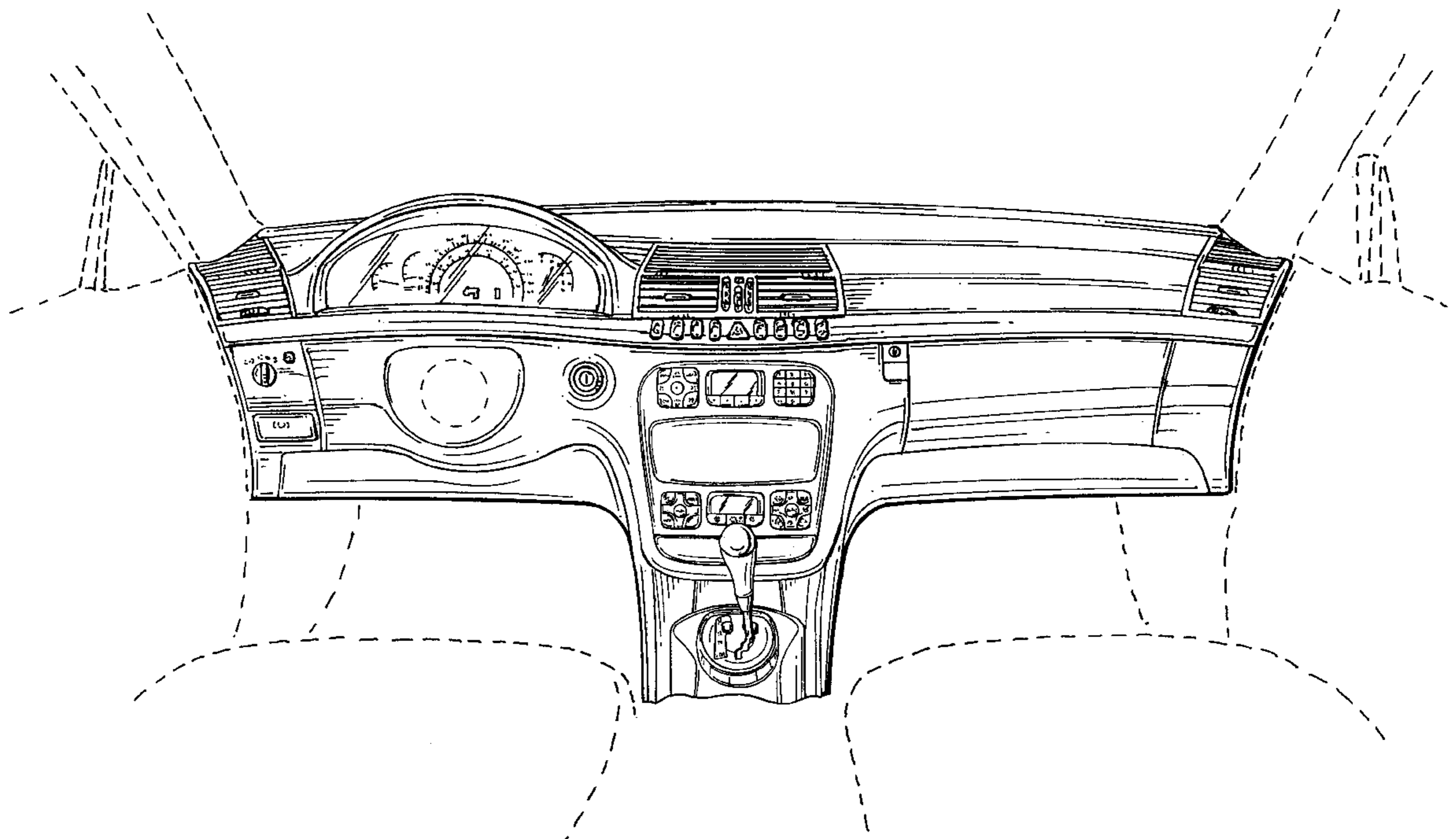
**DESCRIPTION**

FIG. 1 is a front view of a motor vehicle instrument panel according to our novel design; and, FIG. 2 is an enlarged perspective view from the front right of a motor vehicle instrument panel according to our novel design.

The dash line included depicts environment and is not part of the claimed design.

The undisclosed right side of the center console is understood to be identical to that of the left side of the center console as shown in FIG. 2.

**1 Claim, 2 Drawing Sheets**



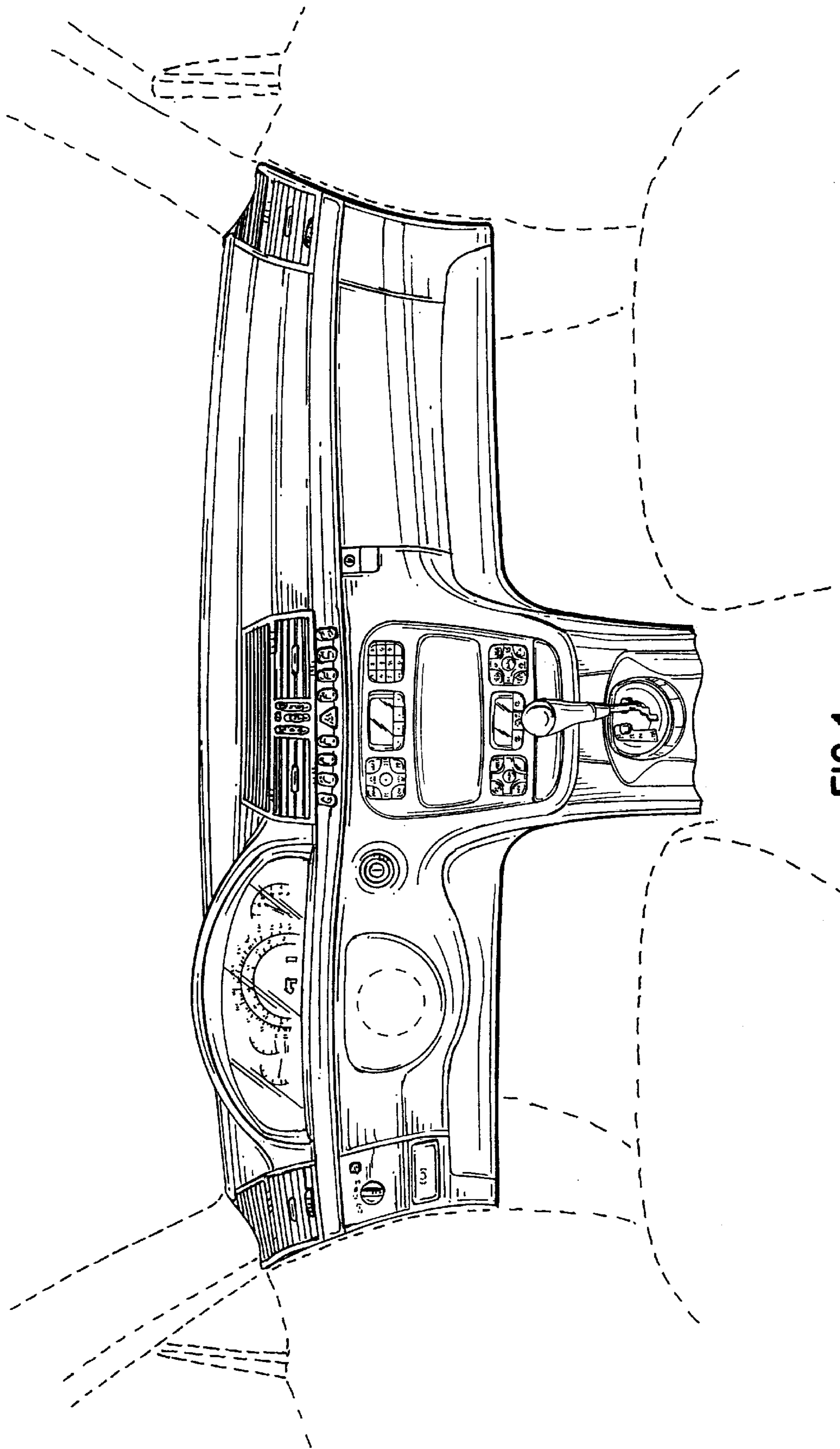


FIG. 1

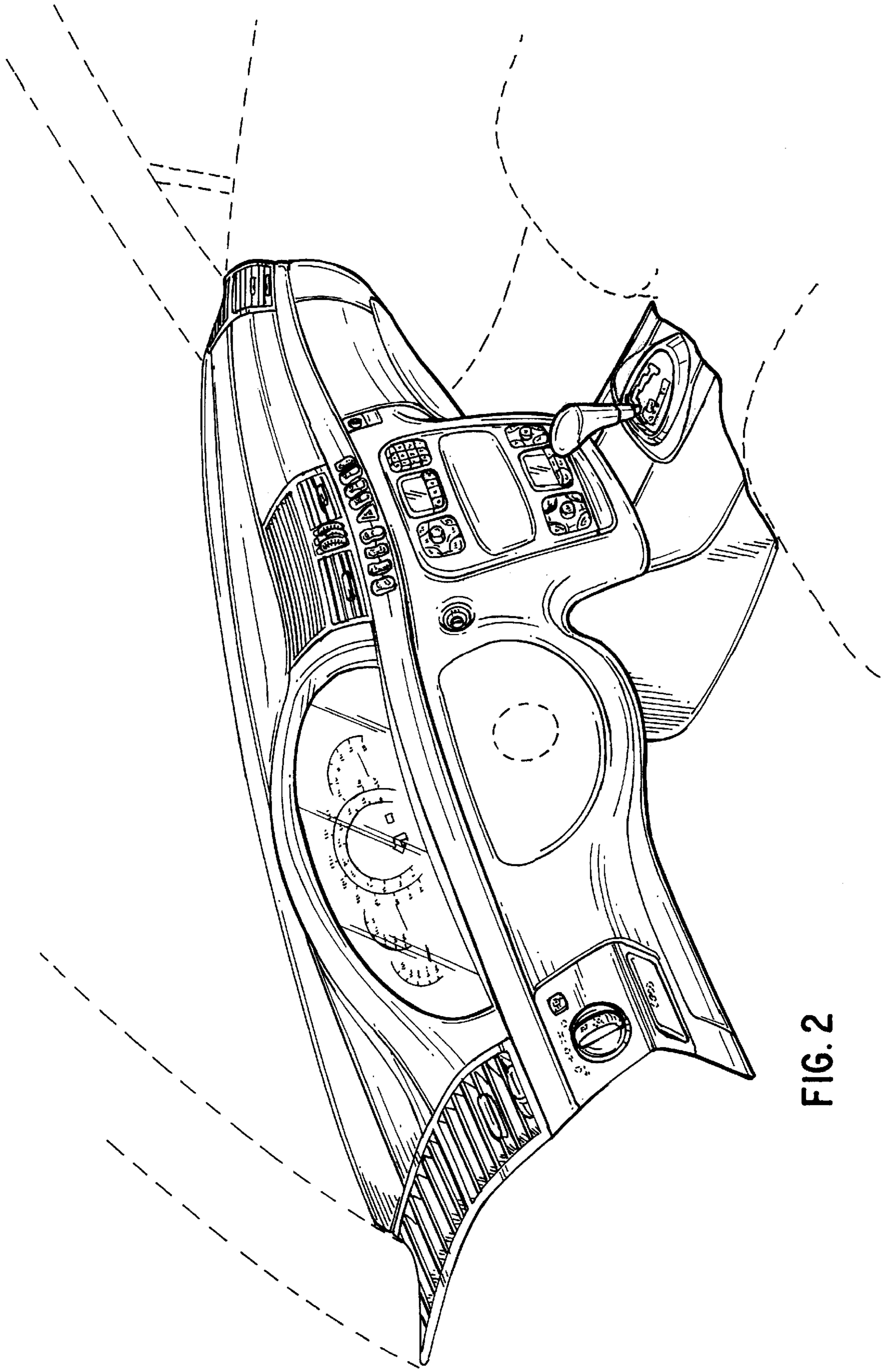


FIG. 2