



US00D419934S

United States Patent [19]
DiBella

[11] **Patent Number: Des. 419,934**

[45] **Date of Patent: ** Feb. 1, 2000**

[54] **DISK BRAKE FOR BICYCLE**

5,193,833 3/1993 Reisinger 188/344 X
5,528,266 6/1996 Hara 188/24.11
5,632,362 5/1997 Leitnus 188/344

[75] Inventor: **Fabrizio DiBella**, Albino, Italy

[73] Assignee: **Rivolta, S.p.A.**, Milan, Italy

[**] Term: **14 Years**

Primary Examiner—Melody N. Brown
Attorney, Agent, or Firm—Volpe and Koenig, P.C.

[21] Appl. No.: **29/093,568**

[22] Filed: **Sep. 14, 1998**

[57] **CLAIM**

The ornamental design for a disk brake for bicycle, as shown and described.

[30] **Foreign Application Priority Data**

May 5, 1998 [XH] Hague Agreement 004096

DESCRIPTION

[51] **LOC (7) Cl.** **12-11**

[52] **U.S. Cl.** **D12/180**

[58] **Field of Search** D12/180; 188/24.12,
188/24.13, 24.22, 344, 24.11

FIG. 1 is a front elevational view of the disk brake;
FIG. 2 is a side view of the disk brake of FIG. 1;
FIG. 3 is a view of the opposite side with respect to FIG. 2;
FIG. 4 is a top plan view, as seen from above FIG. 1;
FIG. 5 is a bottom view,
FIG. 6 is a rear view;
FIG. 7 is a front perspective view of the disk brake;
FIG. 8 is a rear perspective view.

[56] **References Cited**

U.S. PATENT DOCUMENTS

D. 402,948 12/1998 Nishimura D12/180

1 Claim, 5 Drawing Sheets

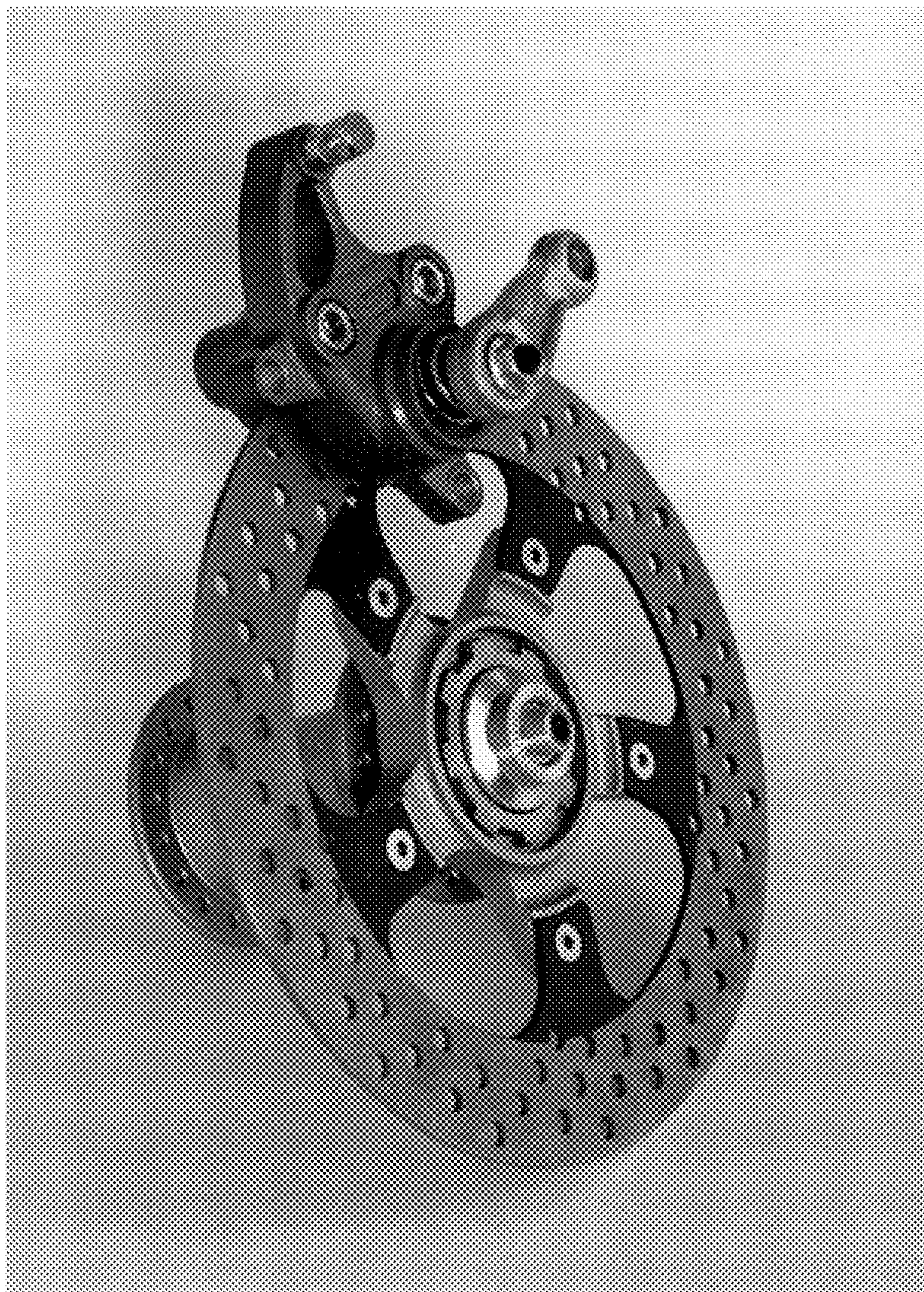




FIG. 1

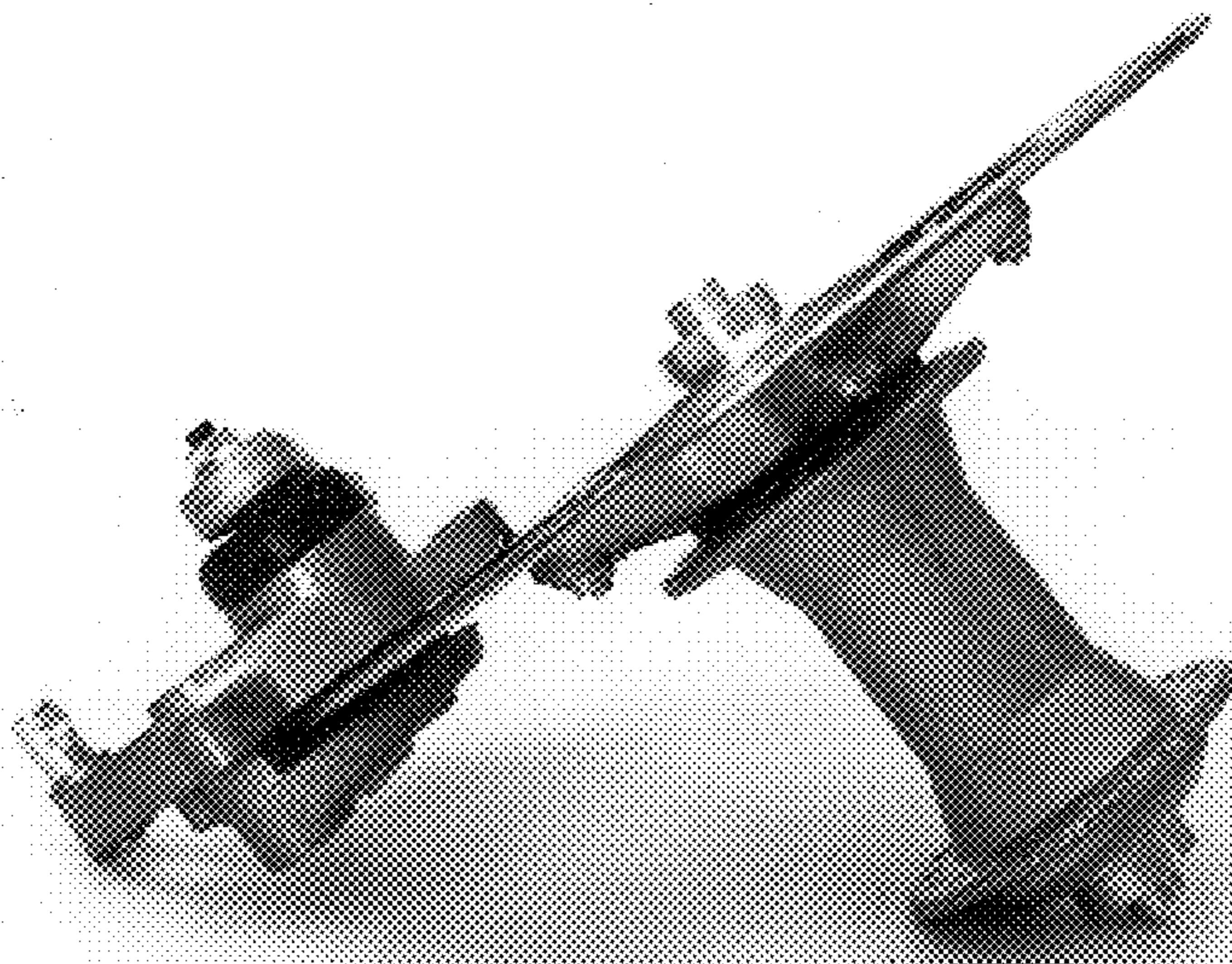


FIG. 2

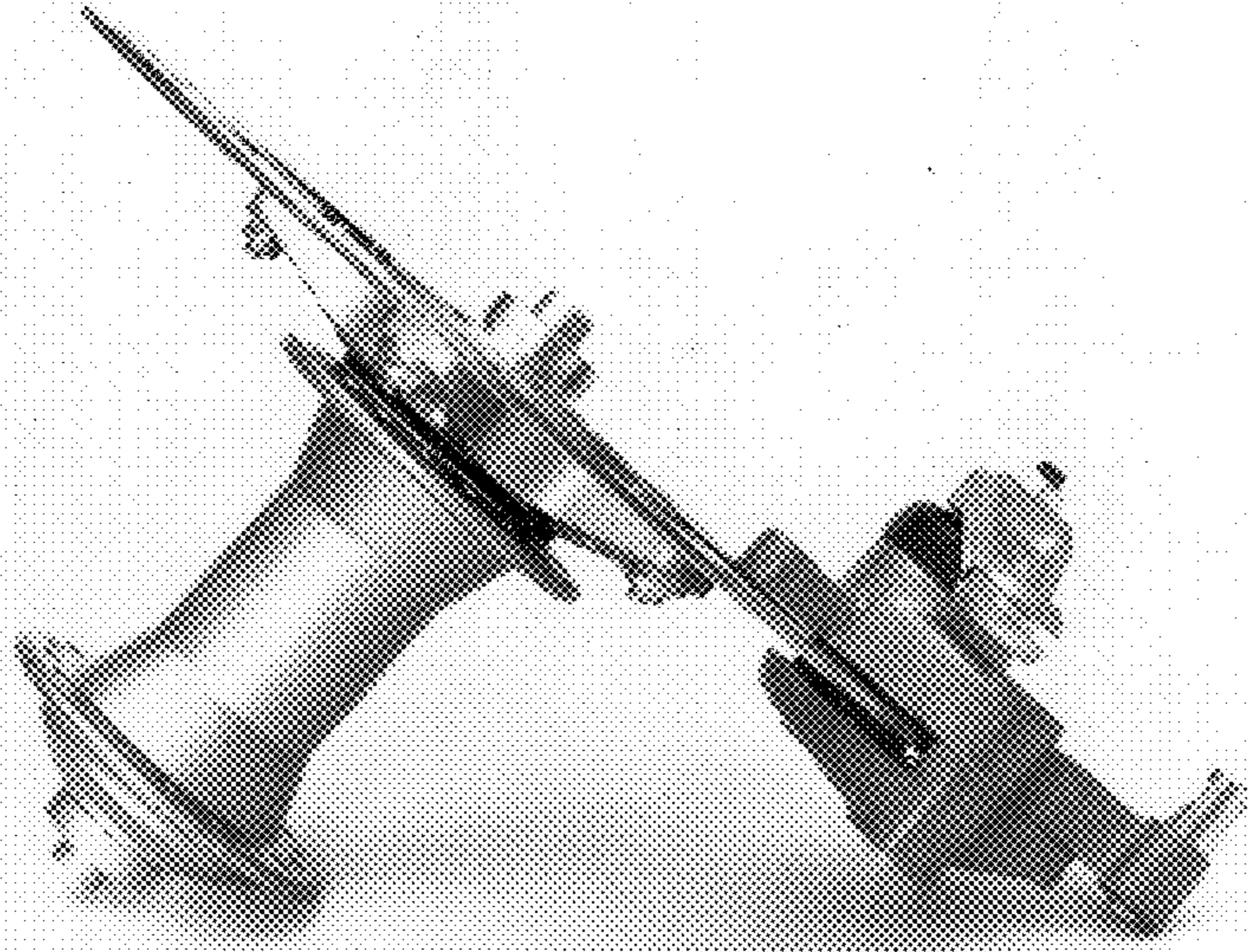


FIG. 3

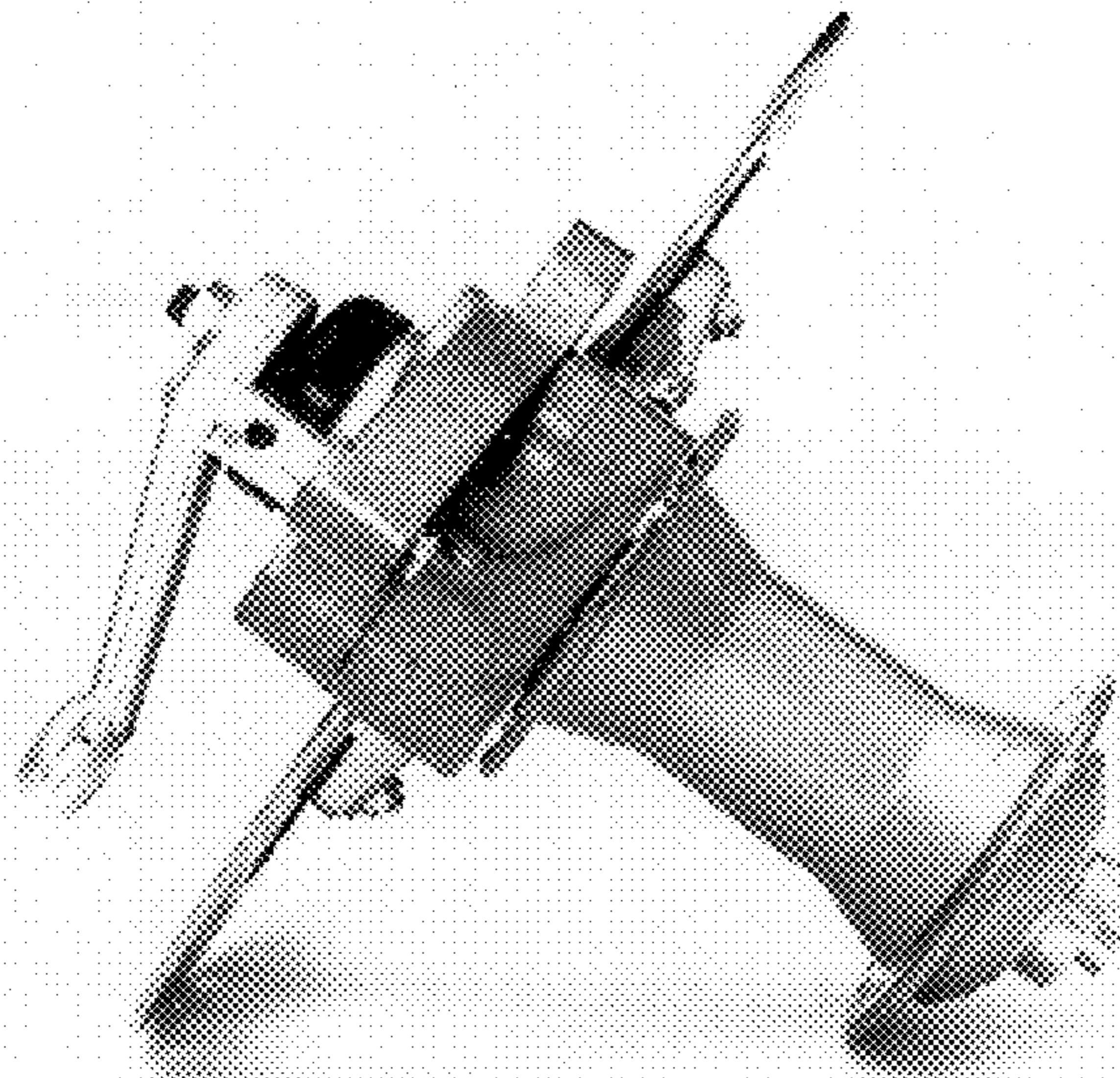


FIG. 4

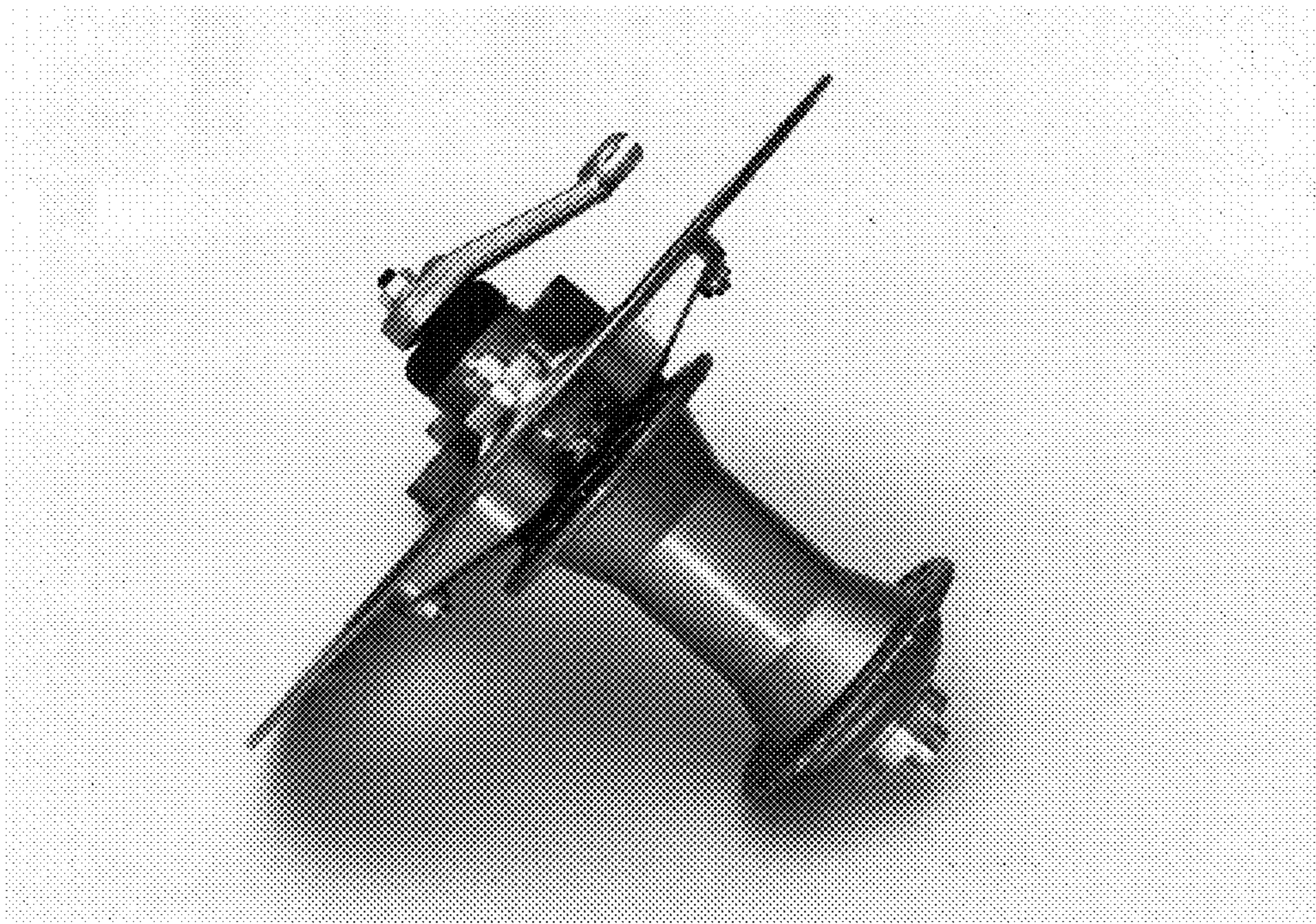


FIG. 5

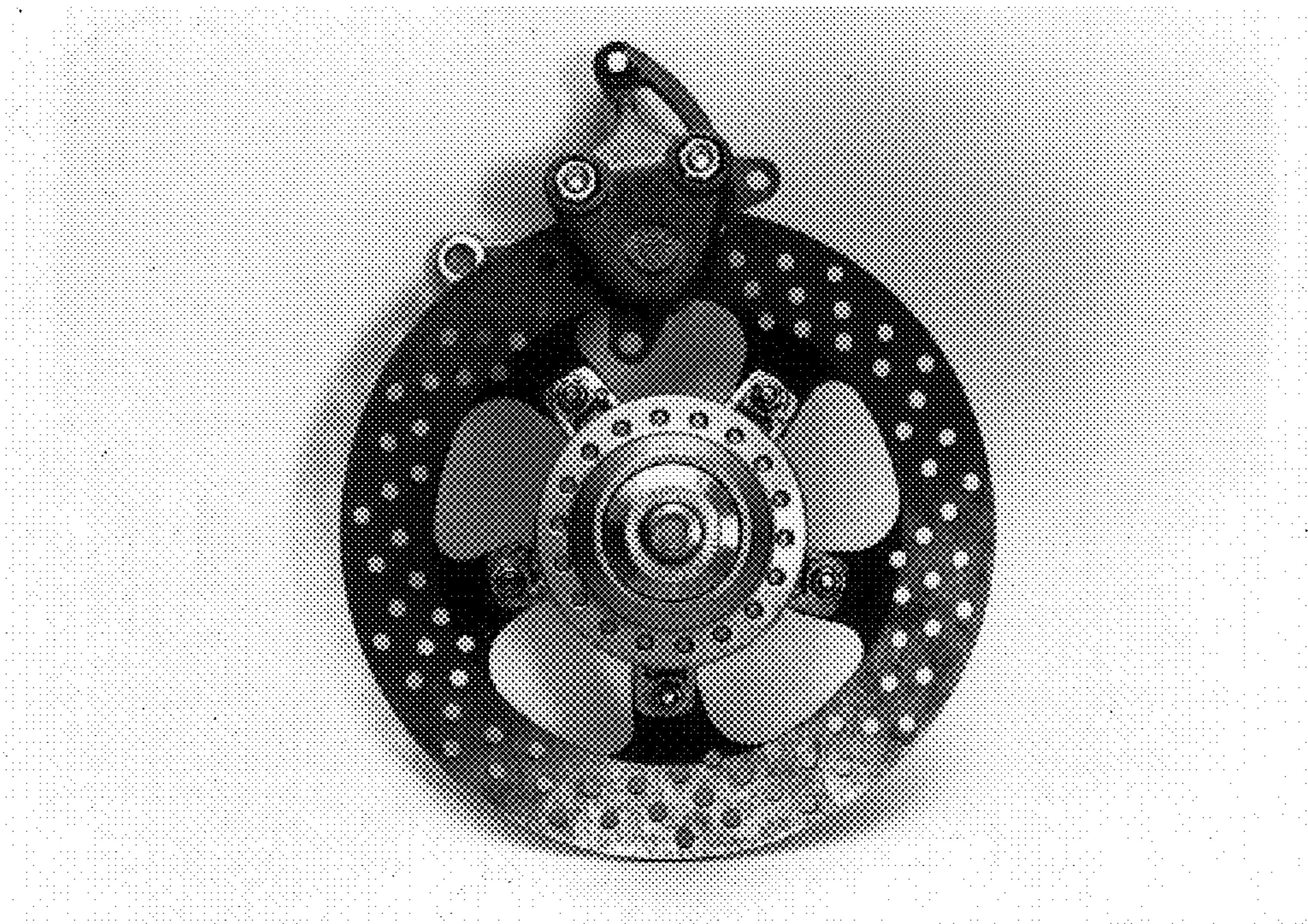


FIG. 6

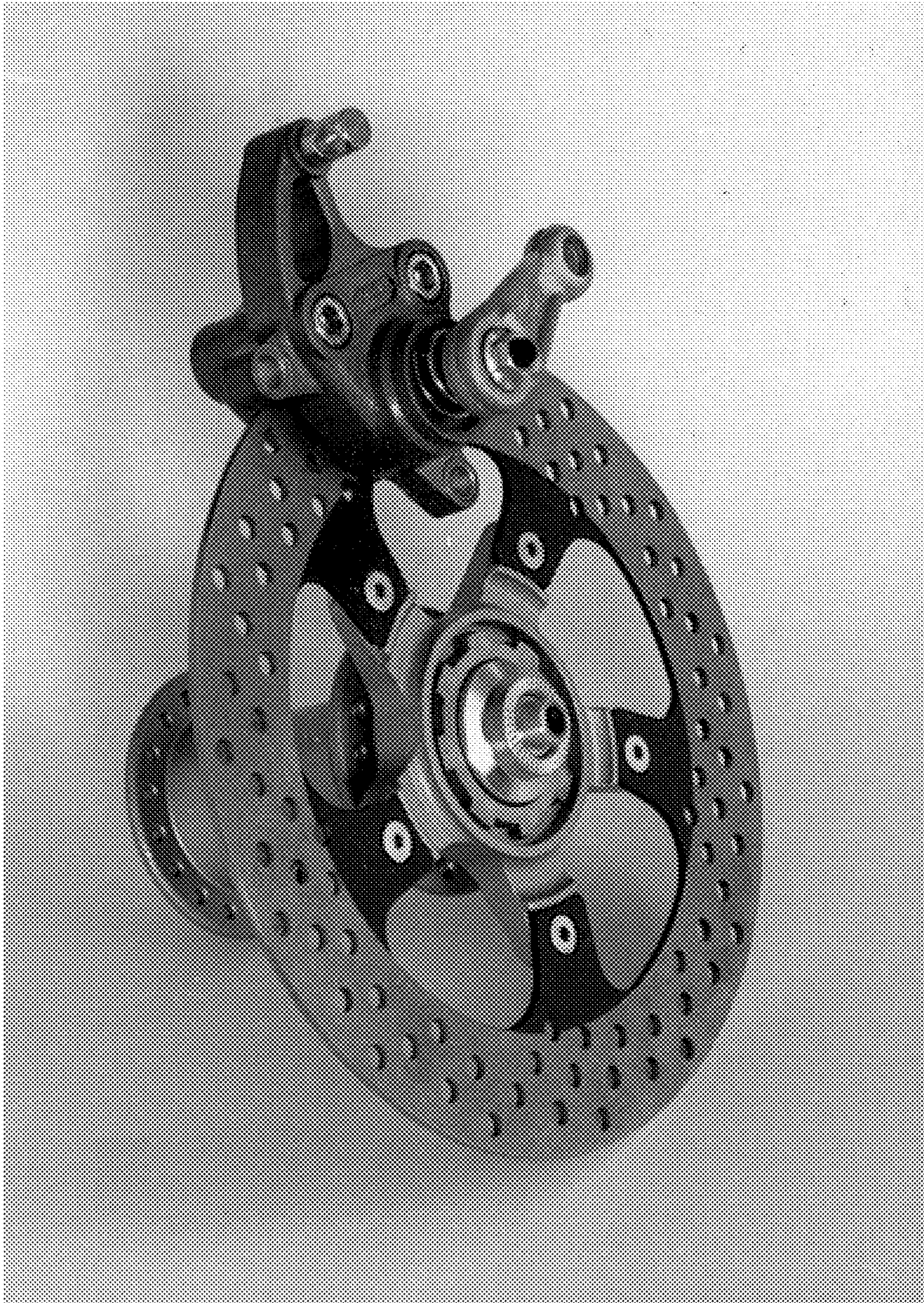


FIG. 7

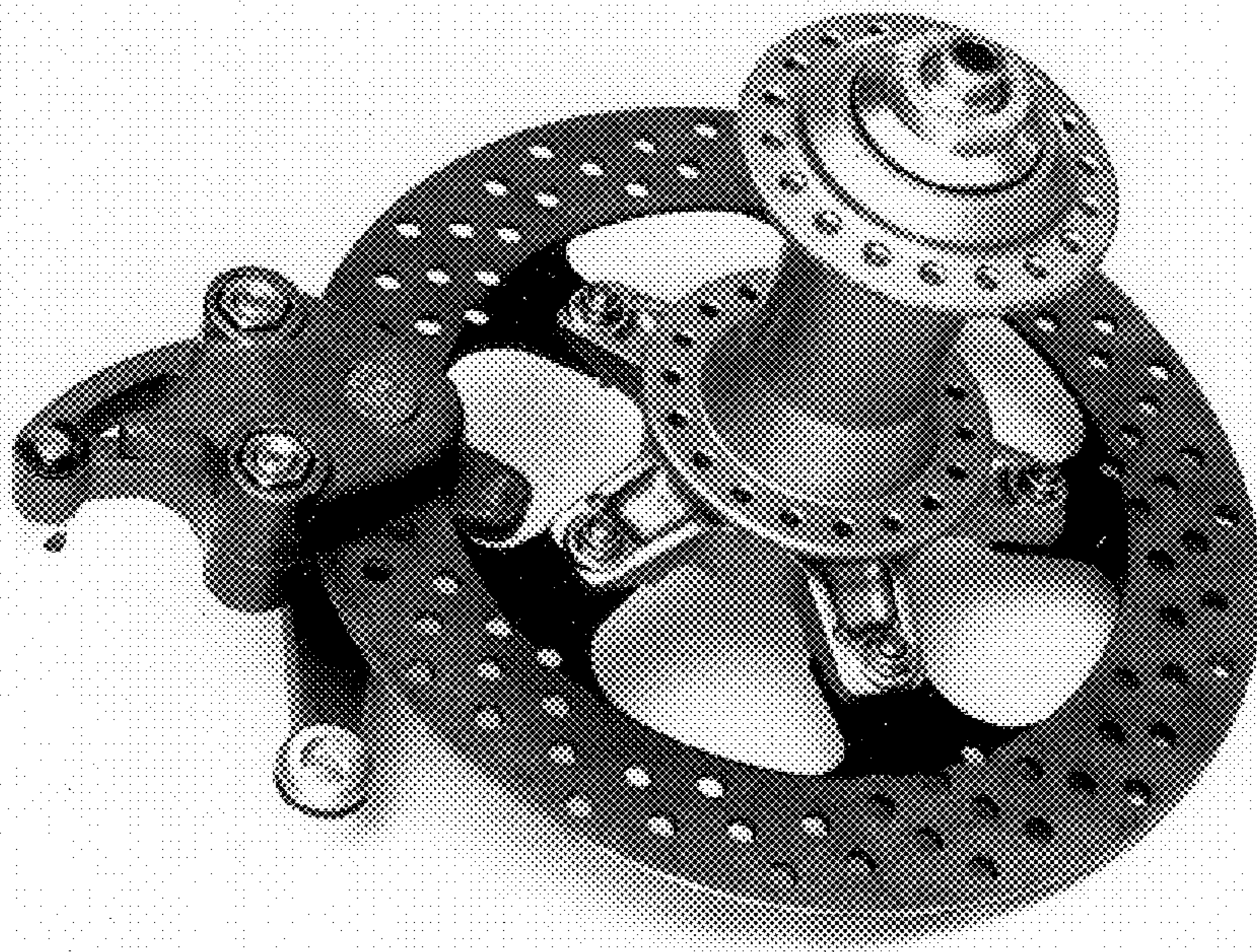


FIG. 8