



US00D419921S

**United States Patent** [19]  
**Mishler**

[11] **Patent Number: Des. 419,921**  
[45] **Date of Patent: \*\* Feb. 1, 2000**

[54] **RECREATIONAL VEHICLE**  
[76] Inventor: **Michael L. Mishler**, 1800 Cheyenne St., Nappanee, Ind. 46550  
[\*\*] Term: **14 Years**  
[21] Appl. No.: **29/094,927**  
[22] Filed: **Oct. 14, 1998**  
[51] **LOC (7) Cl. .... 12-08**  
[52] **U.S. Cl. .... D12/99**  
[58] **Field of Search ..... D12/99, 100; 296/156, 296/164, 178**

D. 319,608 9/1991 Dodgen ..... D12/100

*Primary Examiner*—Melody N. Brown  
*Attorney, Agent, or Firm*—Baker & Daniels

[57] **CLAIM**

The ornamental design for a recreational vehicle, as shown and described.

**DESCRIPTION**

FIG. 1 is a side and front perspective view of a recreational vehicle illustrating my new design as seen from the right front.

FIG. 2 is a side elevational view thereof as seen from the right.

FIG. 3 is a side elevational view thereof as seen from the left, FIG. 4 is a top plan view thereof.

FIG. 5 is a front elevational view thereof; and, FIG. 6 is a rear elevational view thereof.

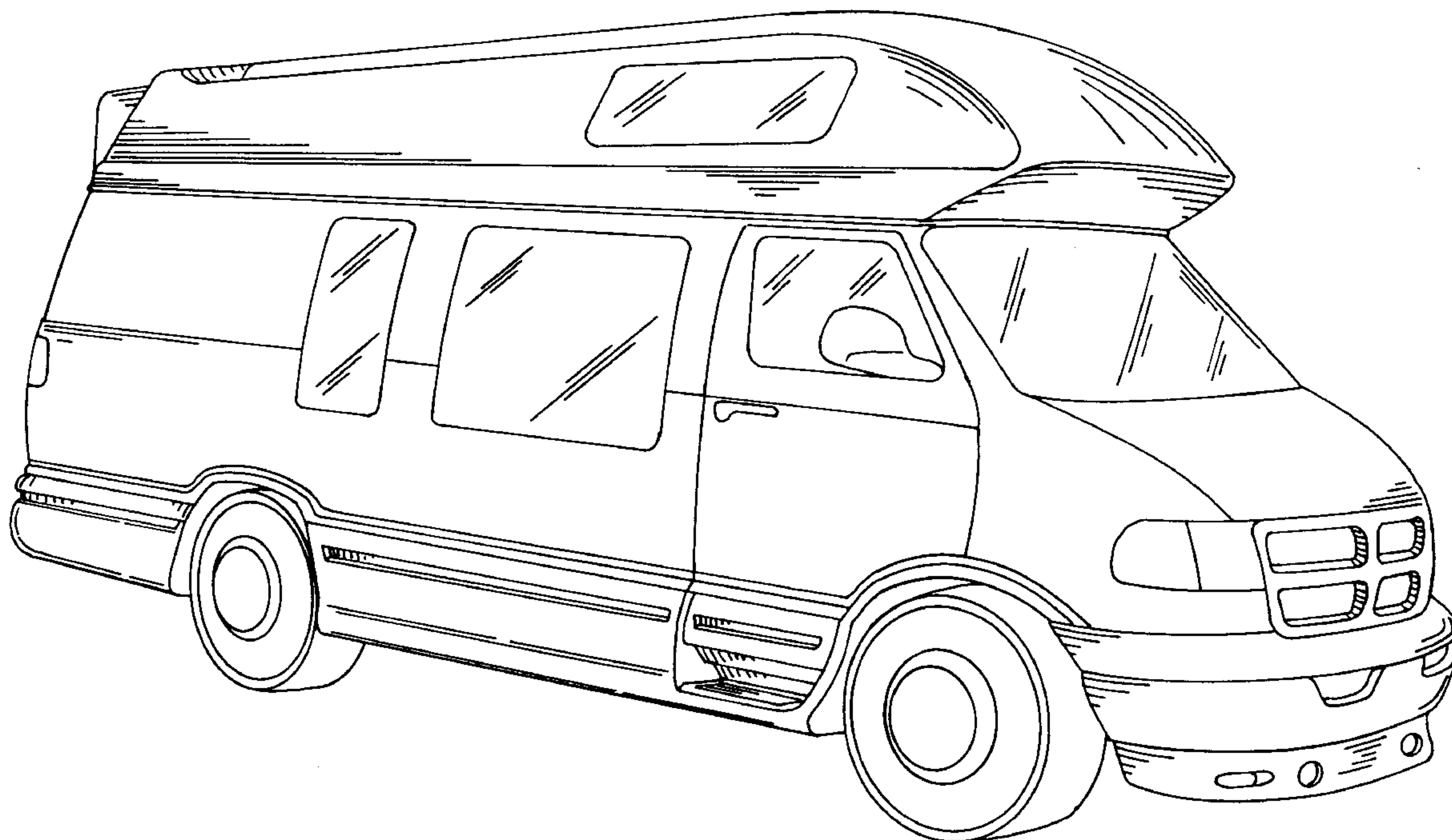
The bottom of my new design is unornamented.

[56] **References Cited**

**U.S. PATENT DOCUMENTS**

- D. 239,101 3/1976 Baer ..... D12/100
- D. 249,495 9/1978 Wallace et al. .... D12/99
- D. 252,263 7/1979 Van Stockum et al. .... D12/100
- D. 256,573 8/1980 Breinholt ..... D12/100
- D. 262,531 1/1982 Hanson ..... D12/99

**1 Claim, 6 Drawing Sheets**



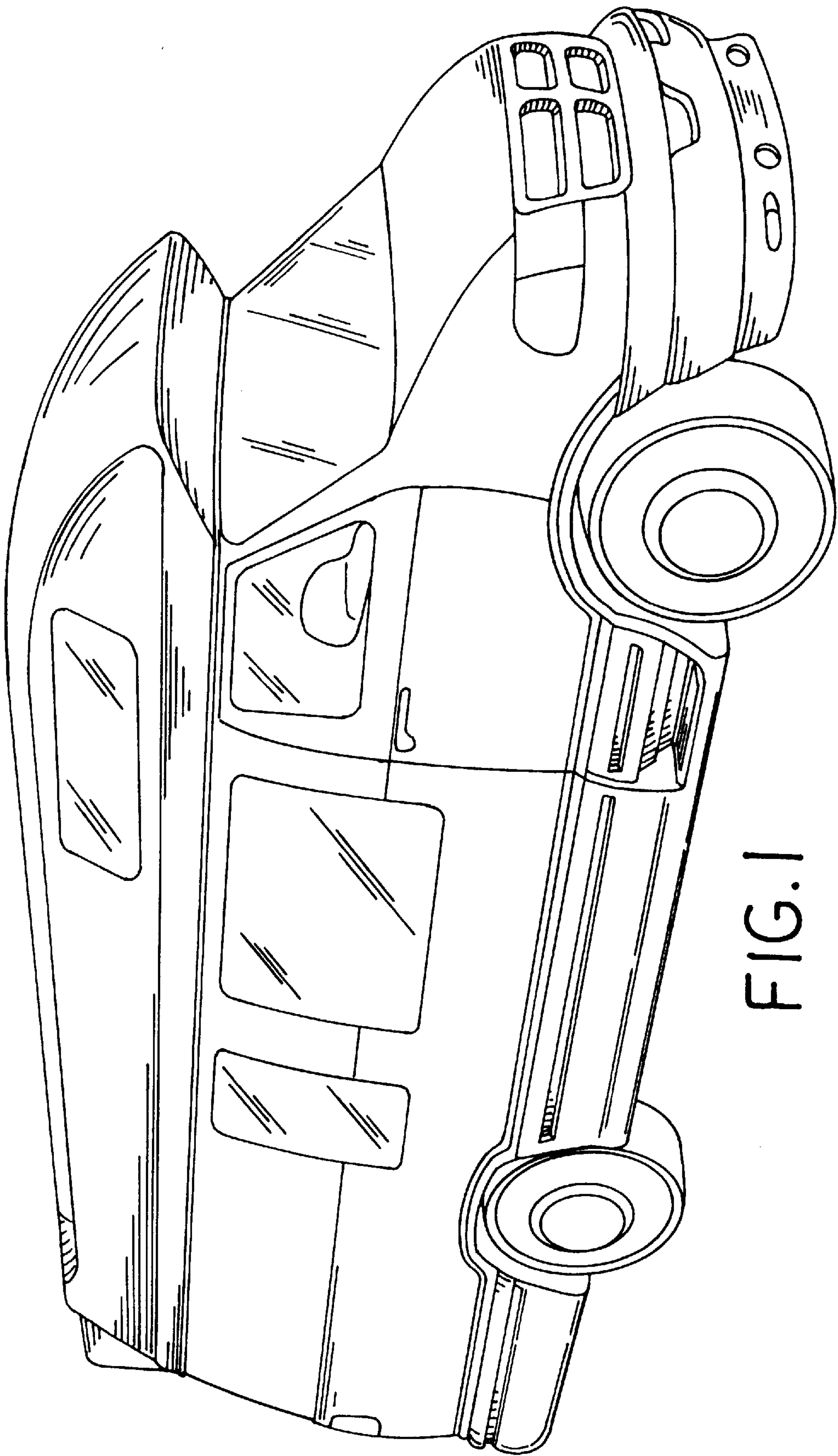


FIG. 1

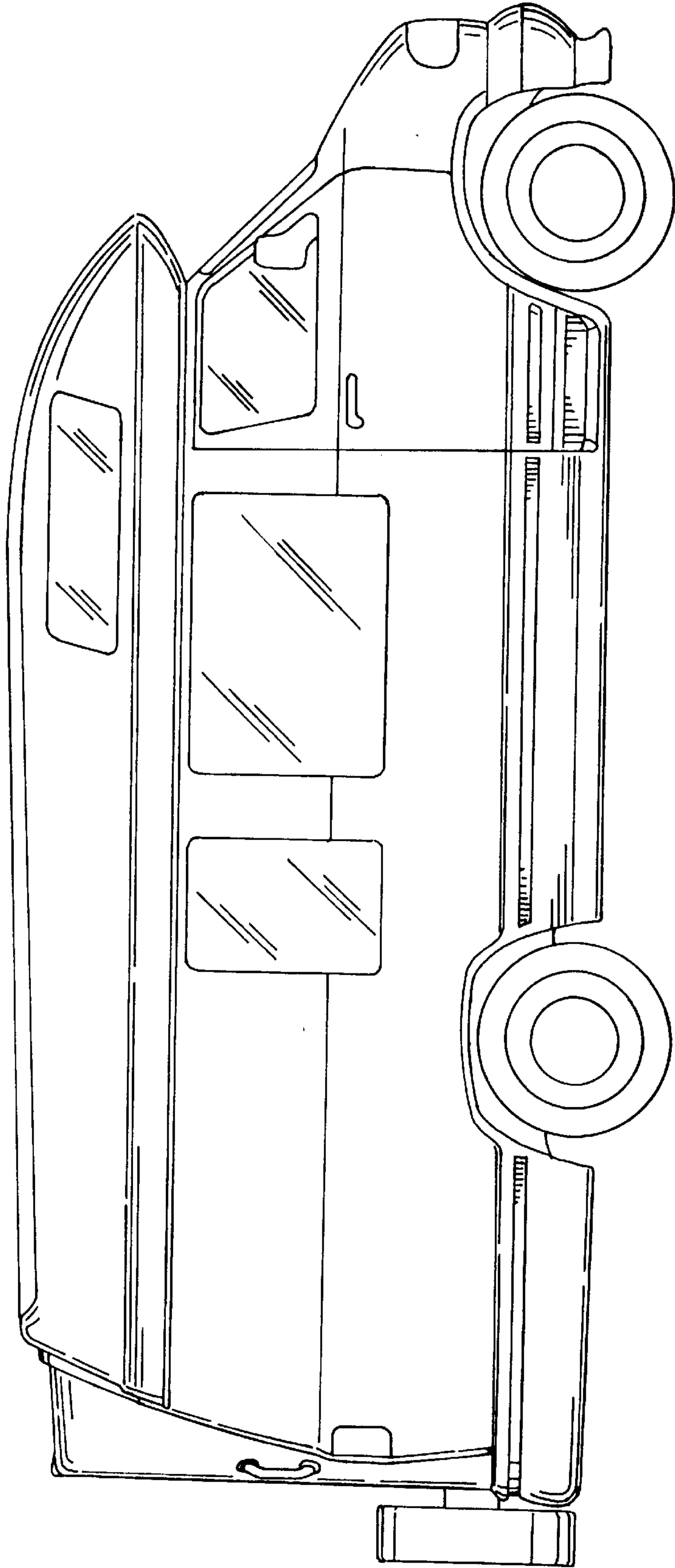


FIG. 2

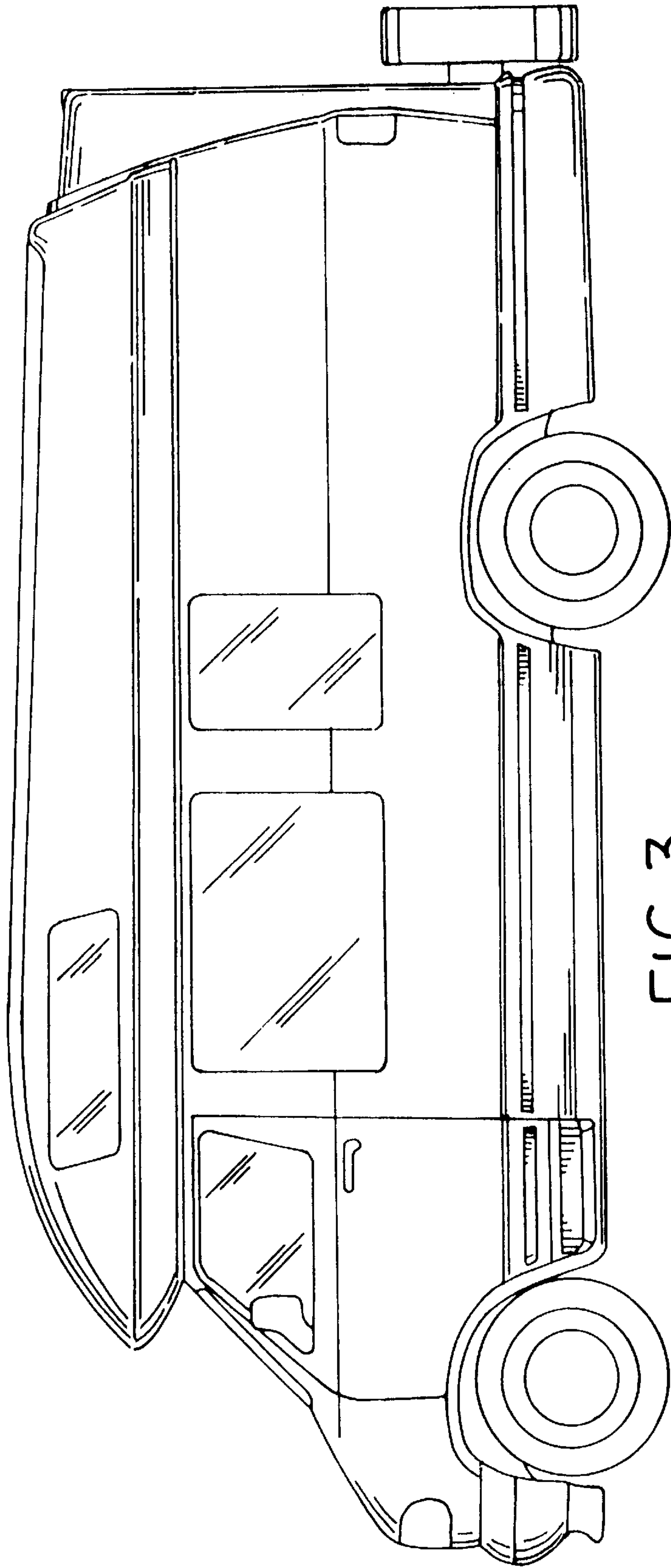


FIG. 3



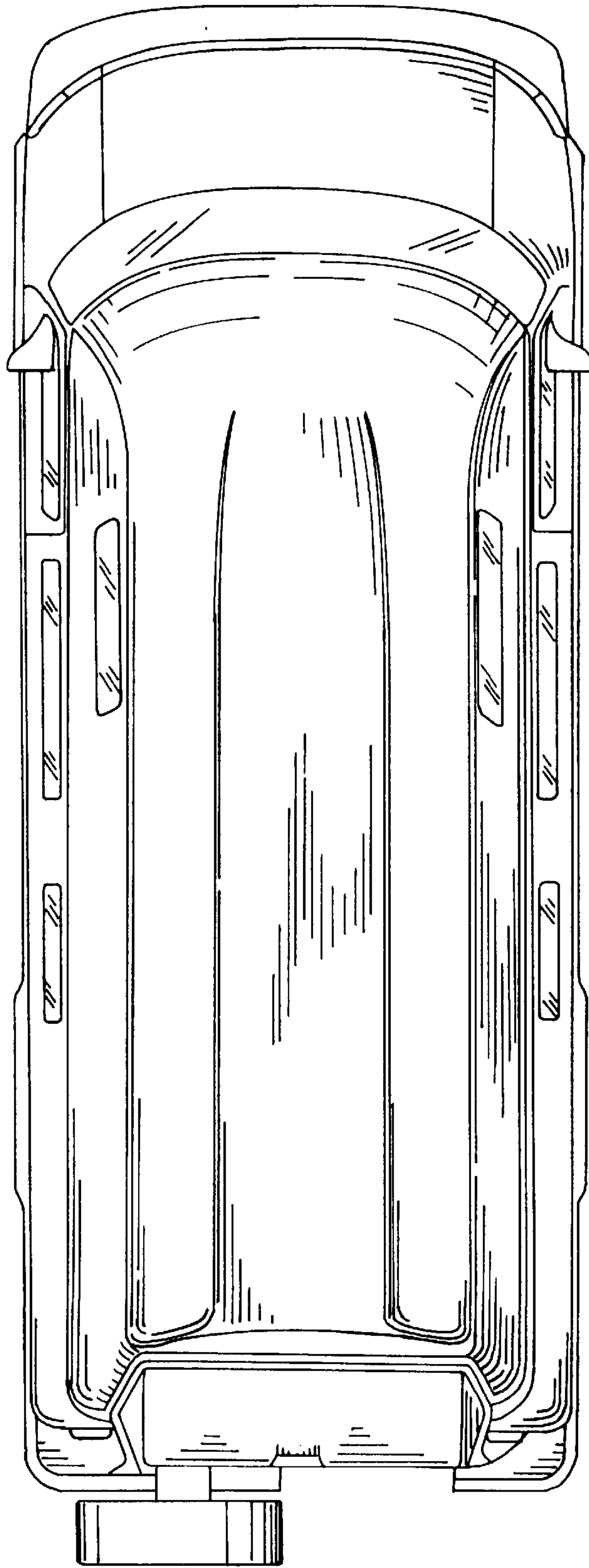


FIG.4

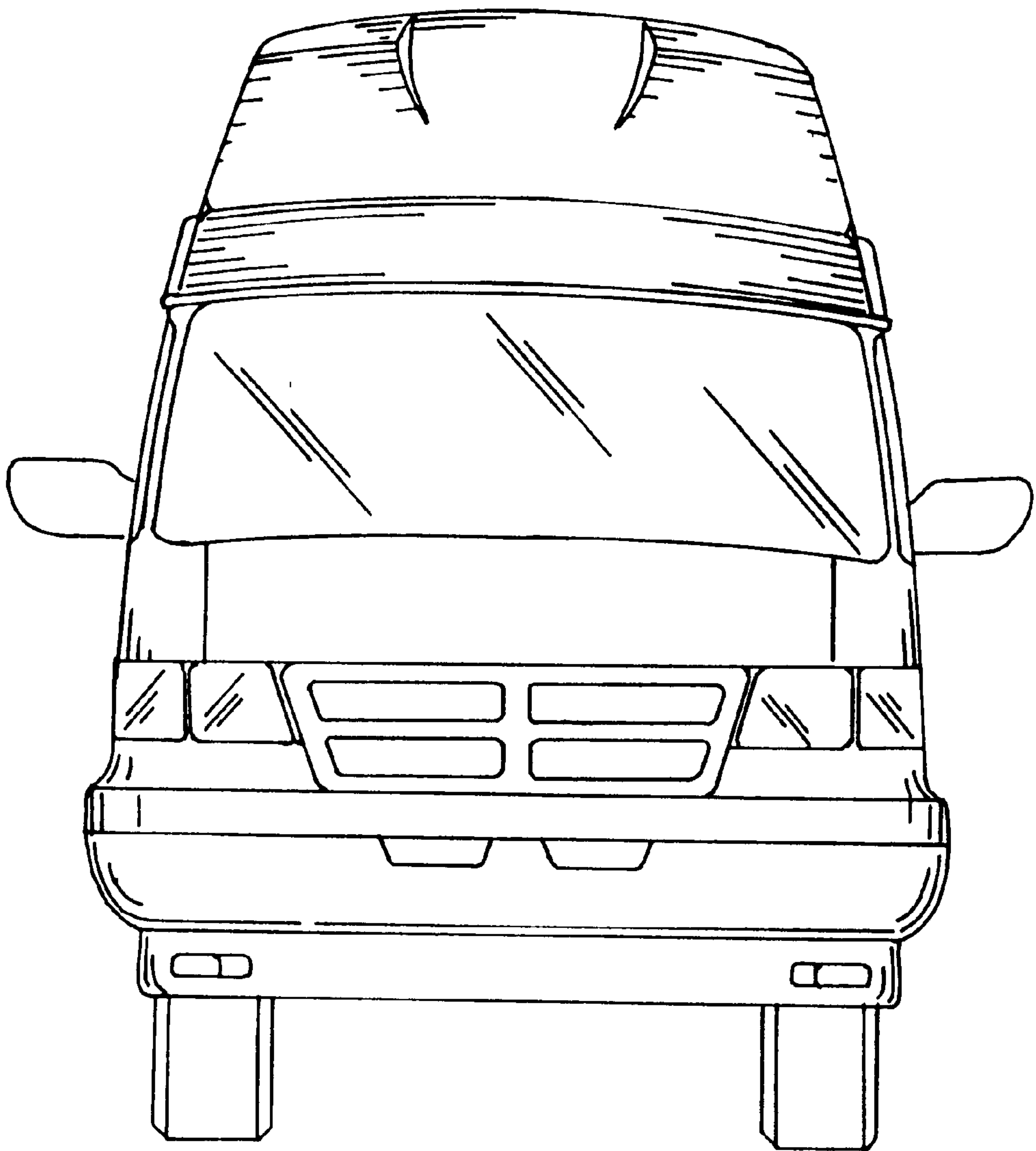


FIG. 5

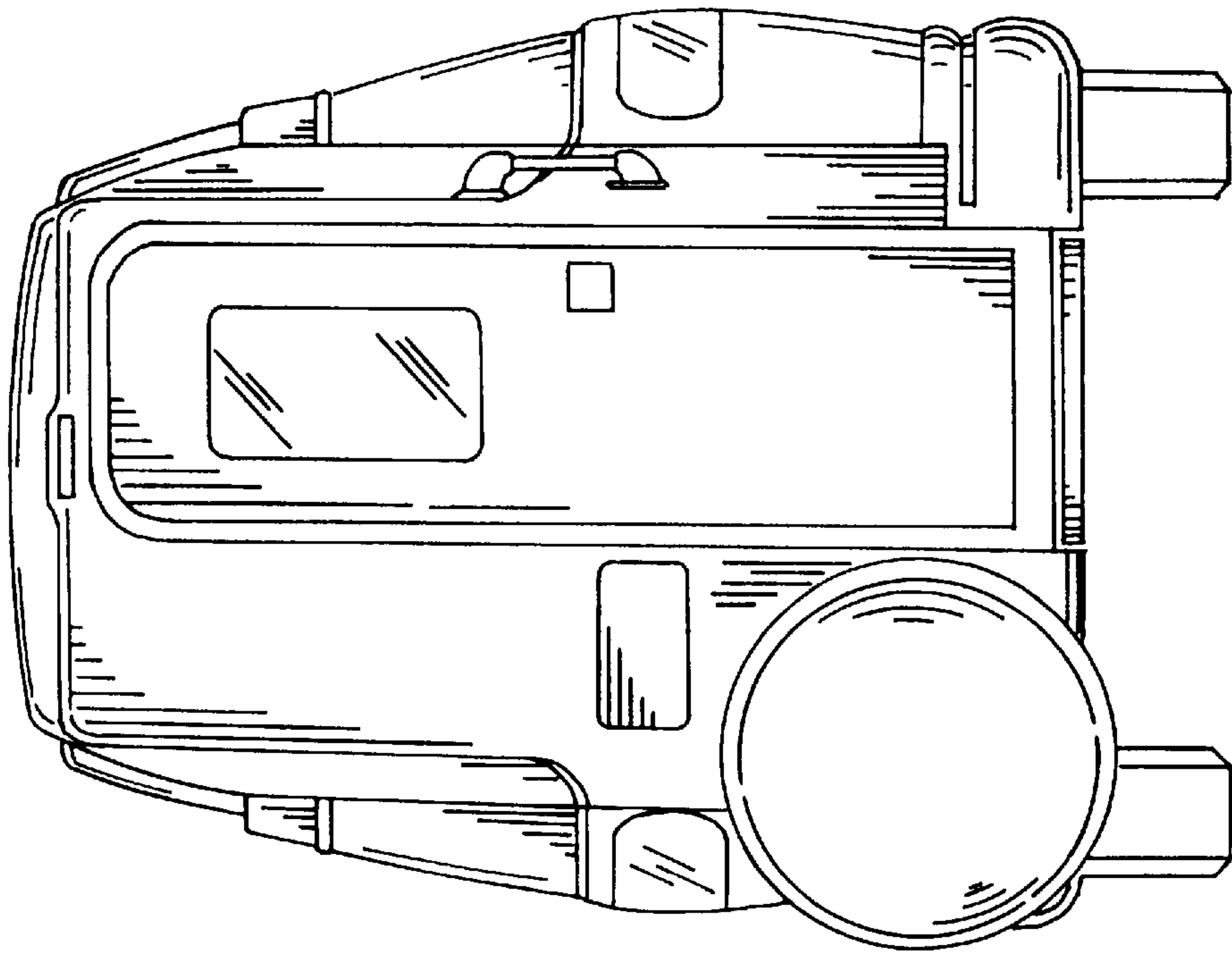


FIG. 6