



US00D419918S

United States Patent [19]

[11] Patent Number: Des. 419,918

Haley et al.

[45] Date of Patent: ** Feb. 1, 2000

- [54] SLED
- [75] Inventors: **Vincent L. Haley**, Orrville; **Kevin Rausch**, Wooster, both of Ohio
- [73] Assignee: **Rubbermaid Incorporated**, Wooster, Ohio
- [**] Term: **14 Years**
- [21] Appl. No.: **29/096,352**
- [22] Filed: **Nov. 11, 1998**
- [51] **LOC (7) Cl.** **12-14**
- [52] **U.S. Cl.** **D12/11**
- [58] **Field of Search** D12/6-11; 280/845, 280/12.1, 14-15, 28.5

- 4,028,761 6/1977 Taylor 441/65
- 4,077,638 3/1978 Lund 280/21 R
- 4,311,215 1/1982 Becker .
- 4,524,984 6/1985 Axelson 280/18
- 4,524,992 6/1985 Linn 280/45
- 4,538,540 9/1985 Cashmere 114/288
- 4,561,664 12/1985 Cashmere 280/18
- 4,666,171 5/1987 Sellers 280/18
- 4,928,983 5/1990 Maass 280/18
- 5,328,200 7/1994 Pelizzari 280/609

OTHER PUBLICATIONS

Copies of photographs of actual product, Sled, Serrano, Inc., Kansas City, Kansas. Published at least as early as 1986. P. 5, 6, 8 and 10, Sleds; Torpedo, 700 Notre-Dame St., P. O. Box 100, St. Narcisse, Quebec G0X 2Y0, Canada. Published at least as early as 1995.

Instruction sheet, Sled; Buddy L Inc., Patch Road RD1, P. O. Box 1070, Gloversville, New York. Published at least as early as Feb., 1995.

Flyer insert, Sled; Buddy L Inc., Patch Road RD1, P. O. Box 1070, Gloversville, New York. Published at least as early as Feb., 1995.

Instruction sheet, Sled; Flexible Flyer by Roadmaster, 100 Tubb Avenue, West Point, Mississippi 39773. Publication date Jun. 10, 1994.

Catalog page, Sled; Camping Gaz International GmbH, Am Eiserner Steg 20, 65795 Hattersheim/Main, Germany. Publication date 1994-95.

Magazine ad, Sled; Lazer-Luge, address unknown. Published at least as early as Feb., 1995.

Sell Sheet, Sled; EDA Plastiques, Ets Georges David, BP 1005-01101 Oyonnax Cedex, France. Published at least as early as Feb., 1995.

Primary Examiner—Nelson C. Holtje
Attorney, Agent, or Firm—Richard B. O’Planick

[56] References Cited

U.S. PATENT DOCUMENTS

- D. 201,815 8/1965 Greenberg D34/15
- D. 216,530 2/1970 Ziff D34/15
- D. 219,463 12/1970 Diamond et al. D12/11
- D. 223,268 4/1972 Molzen D12/11
- D. 226,937 5/1973 Heniges D12/11
- D. 250,403 11/1978 Ross D12/10
- D. 280,308 8/1985 Cashmere D12/11
- D. 290,151 6/1987 Cashmere D12/236
- D. 300,841 4/1989 Minurri D21/228
- D. 319,806 9/1991 Schmid D12/11
- D. 322,770 12/1991 Helms D12/6
- D. 356,756 3/1995 Kilk D12/11
- D. 377,772 2/1997 Williams D12/11
- D. 380,705 7/1997 Fenton et al. D12/11
- D. 386,449 11/1997 Fenton et al. D12/11
- D. 392,218 3/1998 Rausch D12/11
- D. 392,219 3/1998 Rausch D12/11
- 2,139,513 12/1938 Nelson et al. 280/18
- 2,735,690 2/1956 Paden et al. 280/12
- 3,169,779 2/1965 Haab 280/18
- 3,580,598 5/1971 de Pauw 280/18
- 3,635,490 1/1972 Dermaree et al. 280/18
- 3,794,341 2/1974 Torok 280/21 R
- 3,799,566 3/1974 Thompson 280/18
- 3,884,490 5/1975 Hellman 280/18
- 3,937,482 2/1976 Johnson 280/18
- 3,948,536 4/1976 Konrad 280/18
- 3,982,748 9/1976 Hooper et al. 280/18

[57] CLAIM

The ornamental design for a sled, as shown and described.

DESCRIPTION

FIG. 1 is a top right front perspective view of a sled showing our new design;
 FIG. 2 is a right side elevational view thereof;
 FIG. 3 is a top plan view thereof;
 FIG. 4 is a left side elevational view thereof;

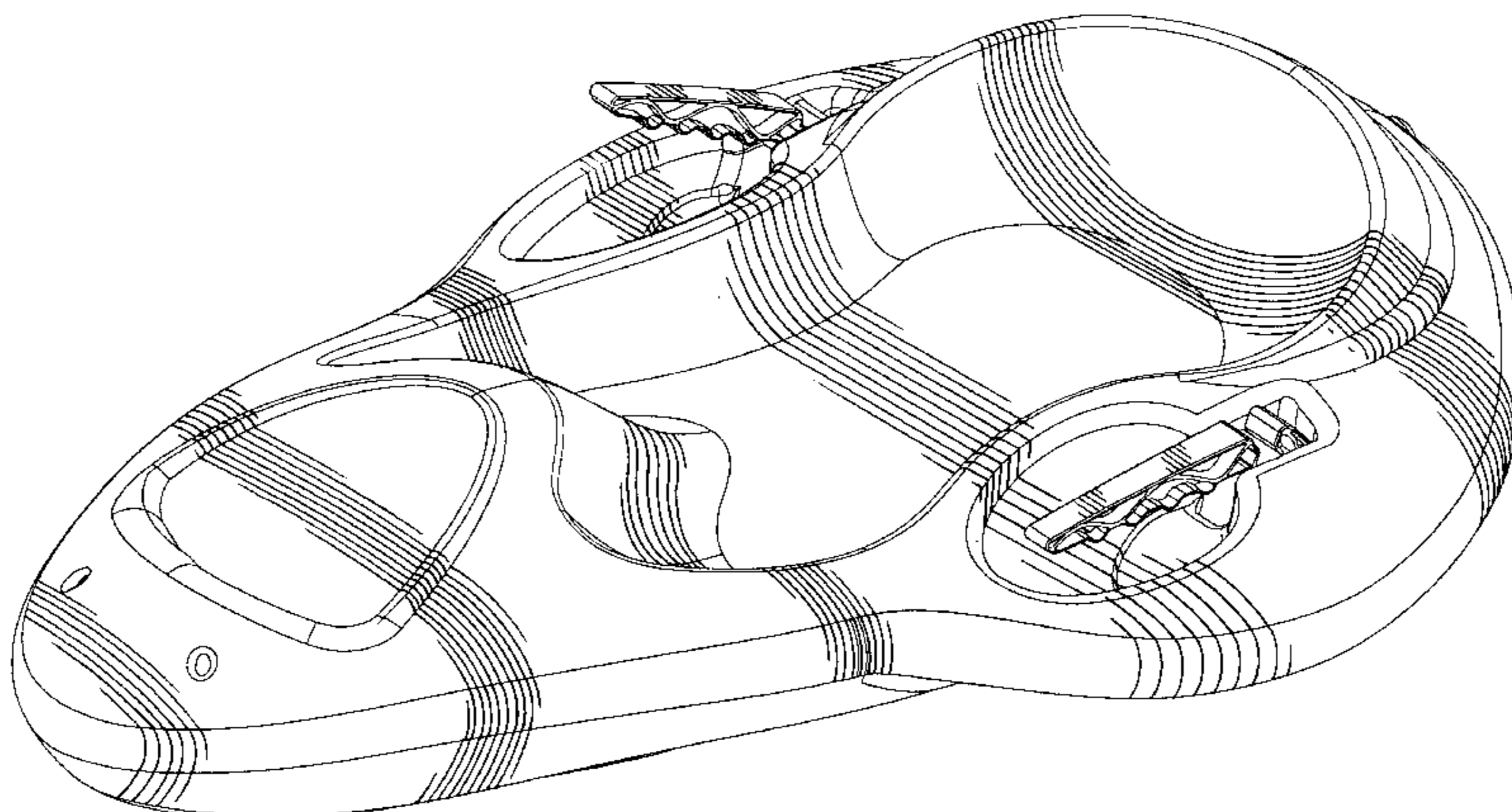


FIG. 5 is a front elevational view thereof;
FIG. 6 is a bottom plan view thereof; and,
FIG. 7 is a rear elevational view thereof.

1 Claim, 7 Drawing Sheets

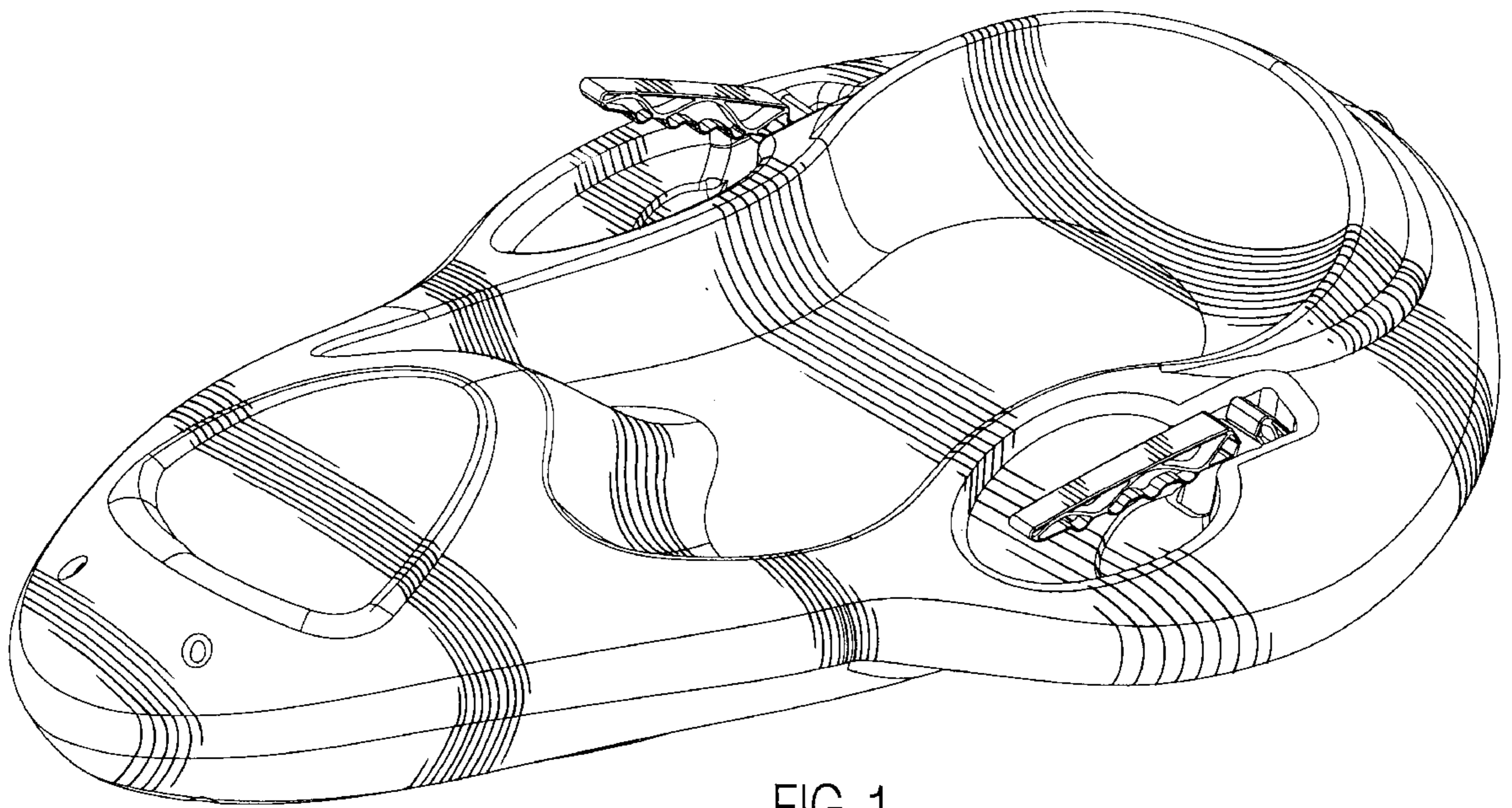


FIG. 1

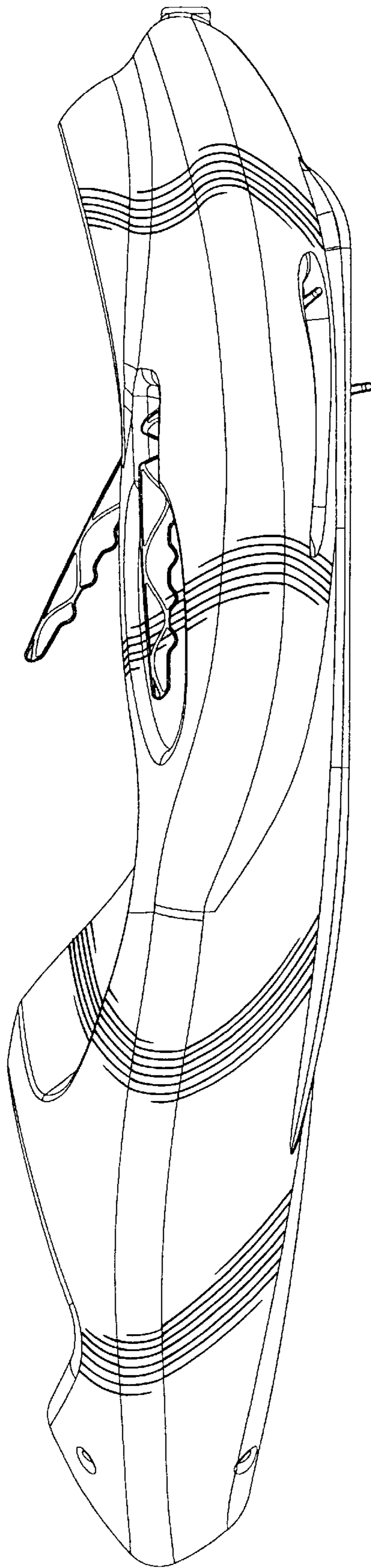


FIG. 2

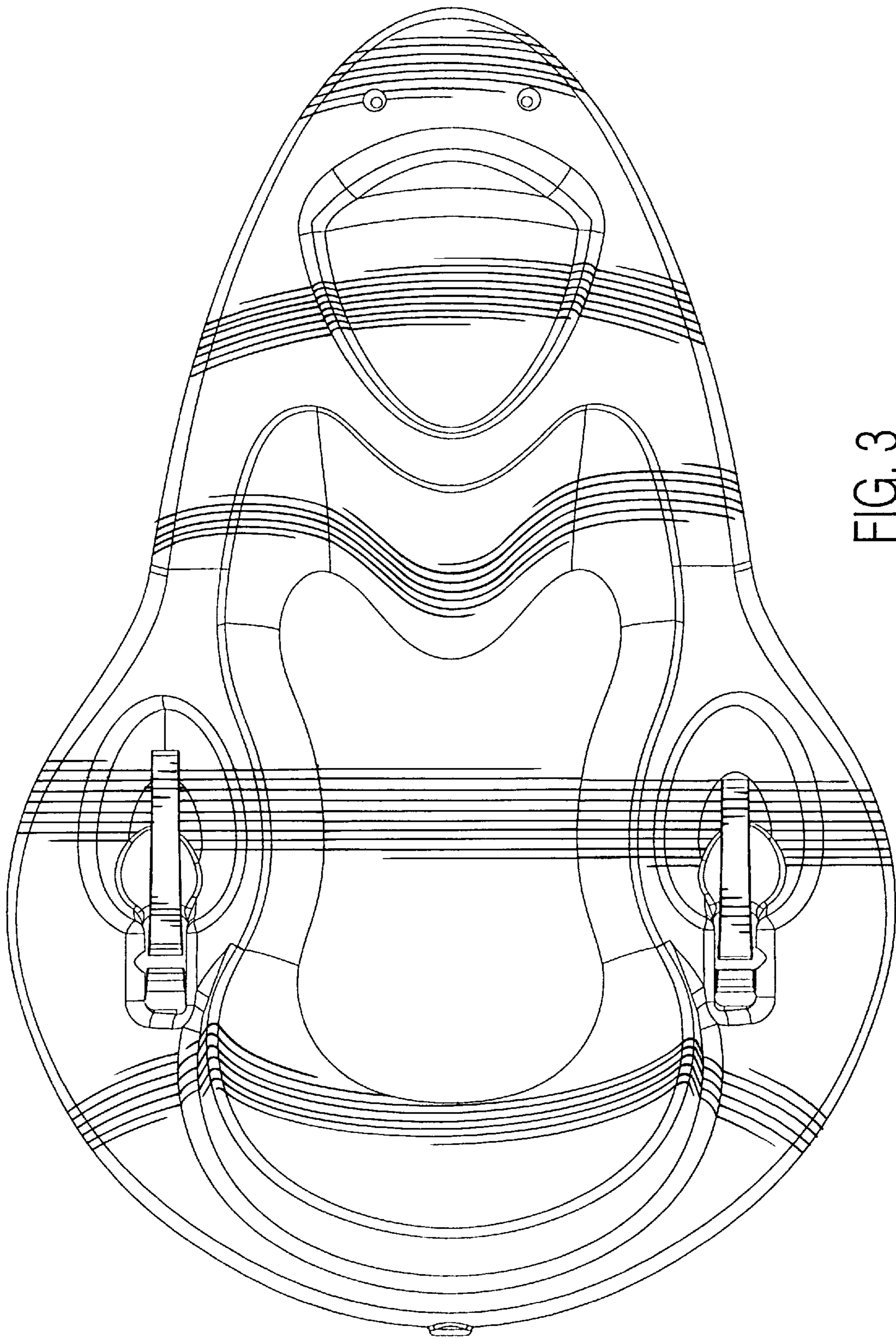


FIG. 3

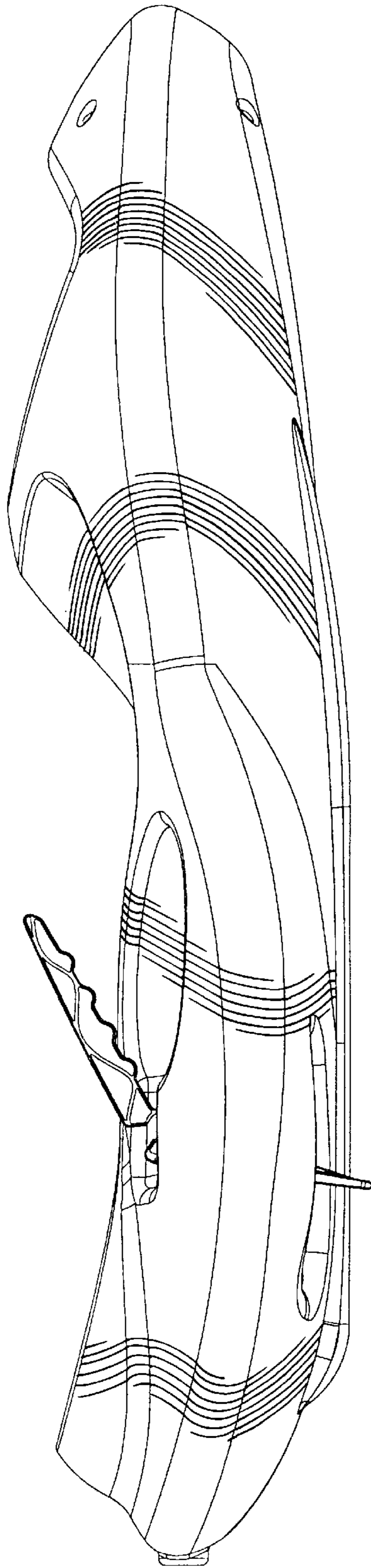


FIG. 4

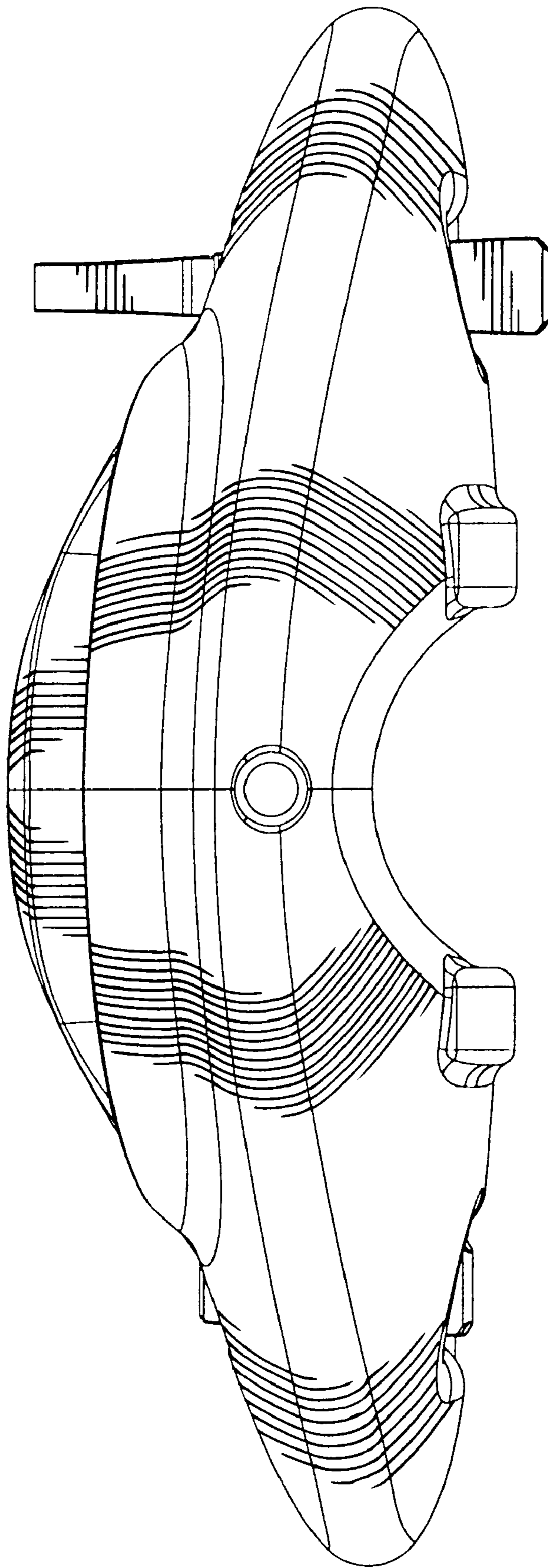


FIG. 5

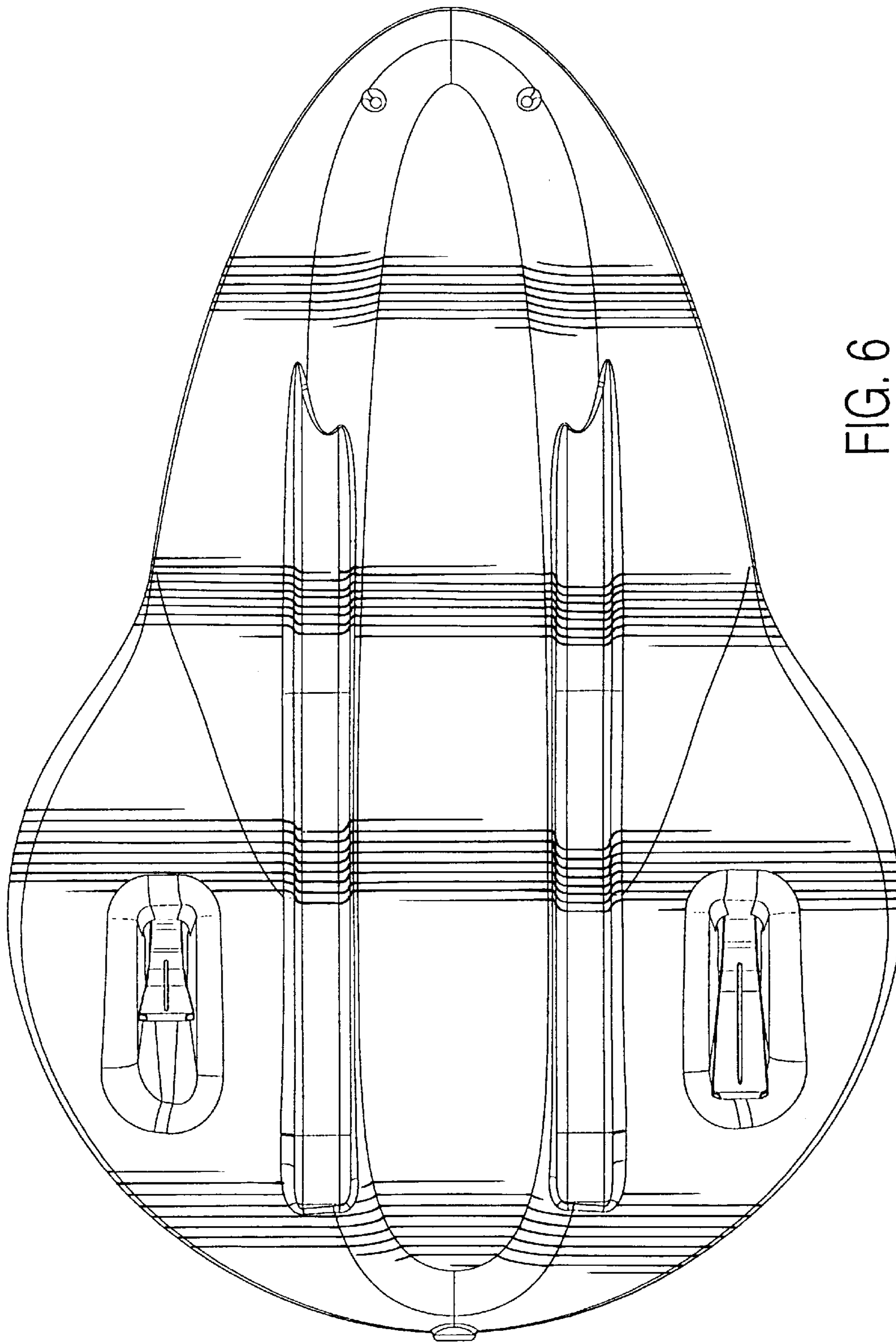


FIG. 6

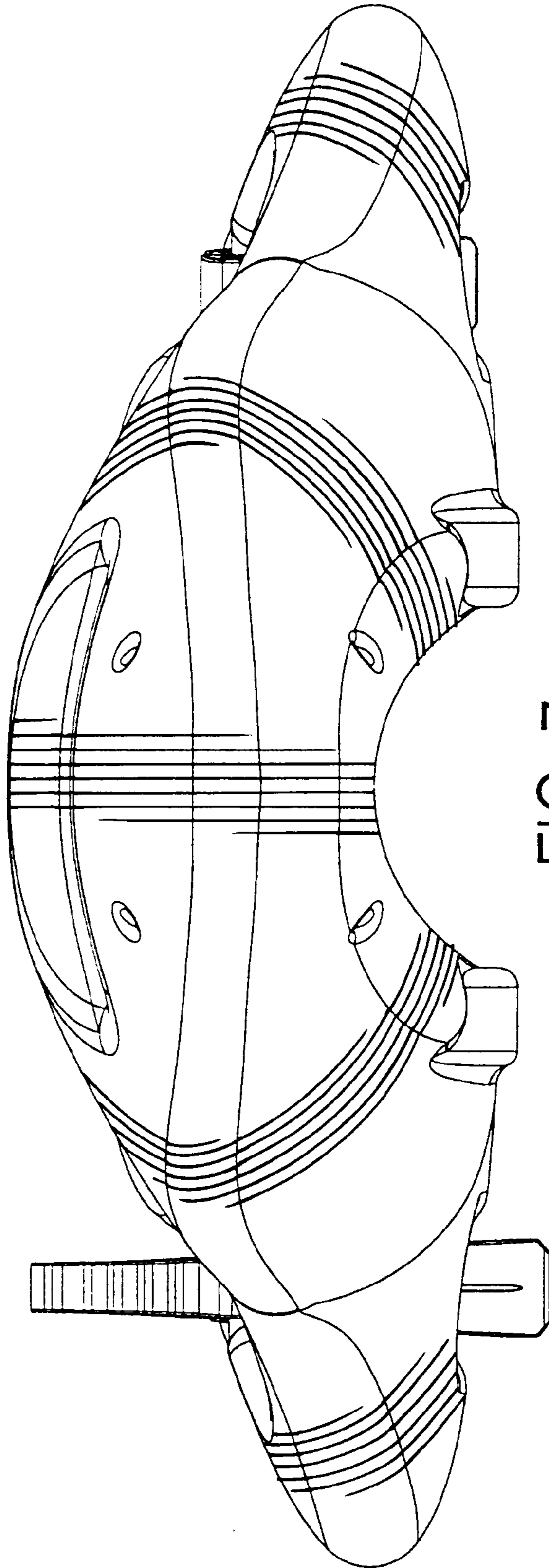


FIG. 7