



US00D419914S

United States Patent [19]

Weder et al.

[11] **Patent Number: Des. 419,914**

[45] **Date of Patent: ** *Feb. 1, 2000**

[54] FLOWER POT COVER

[75] Inventors: **Donald E. Weder; Joseph G. Straeter,**
both of Highland, Ill.

[73] Assignee: **Southpac Trust International, Inc.**

[*] Notice: This patent is subject to a terminal disclaimer.

[**] Term: **14 Years**

[21] Appl. No.: **29/096,292**

[22] Filed: **Nov. 10, 1998**

Related U.S. Application Data

[60] Division of application No. 07/808,357, Dec. 16, 1991, Pat. No. Des. 406,547, which is a continuation-in-part of application No. 07/710,272, Jun. 4, 1991, Pat. No. Des. 365,302, which is a continuation-in-part of application No. 07/617,454, Nov. 21, 1990, abandoned, said application No. 07/710,272, is a continuation-in-part of application No. 07/411,249, Sep. 22, 1989, Pat. No. Des. 358,113, application No. 07/411,247, Sep. 22, 1989, abandoned, and application No. 07/411,245, Sep. 22, 1989, abandoned.

[51] **LOC (7) Cl. 11-02**

[52] **U.S. Cl. D11/164**

[58] **Field of Search** D11/143, 149,
D11/152-156, 164, 89, 90; 47/65.5-65.7,
72; 206/423; 428/27, 35.1, 24, 542.6; D9/346,
428-431; D27/102, 133; D26/128-136;
D19/96; D7/540, 584, 586, 587, 354; 215/100.5;
229/1.5 R, 1.5 B, 108.1, 87.01, 922, 930,
186, 189, 4.5, 108

[56] References Cited

U.S. PATENT DOCUMENTS

D. 292,182	10/1987	Weder et al.	D11/164
D. 292,562	11/1987	Weder et al.	D11/164
D. 293,224	12/1987	Weder et al.	D11/164
D. 293,775	1/1988	Weder et al.	D11/164
D. 317,583	6/1991	Weder et al.	D11/164
D. 318,030	7/1991	Weder et al.	D11/164
D. 327,234	6/1992	Vaughn	D11/143

(List continued on next page.)

FOREIGN PATENT DOCUMENTS

103316	3/1938	Australia	485/572
785369	8/1935	France	229/186
153402	of 1903	Germany	47/72
1115	of 1887	Sweden	47/72
17903	5/1899	Switzerland	47/72
54263	7/1912	Switzerland	47/72

OTHER PUBLICATIONS

The Glassware of Frederick Carder, p. 217, 1971.
"The Simple Solution For Those Peak Volume Periods", a brochure (4 pages), published by Highland Supply Corporation, 1111 Sixth St., Highland, Illinois 62249, 1989.

Primary Examiner—Jeffrey Asch
Attorney, Agent, or Firm—Dunlap, Coddling & Rogers, P.C.

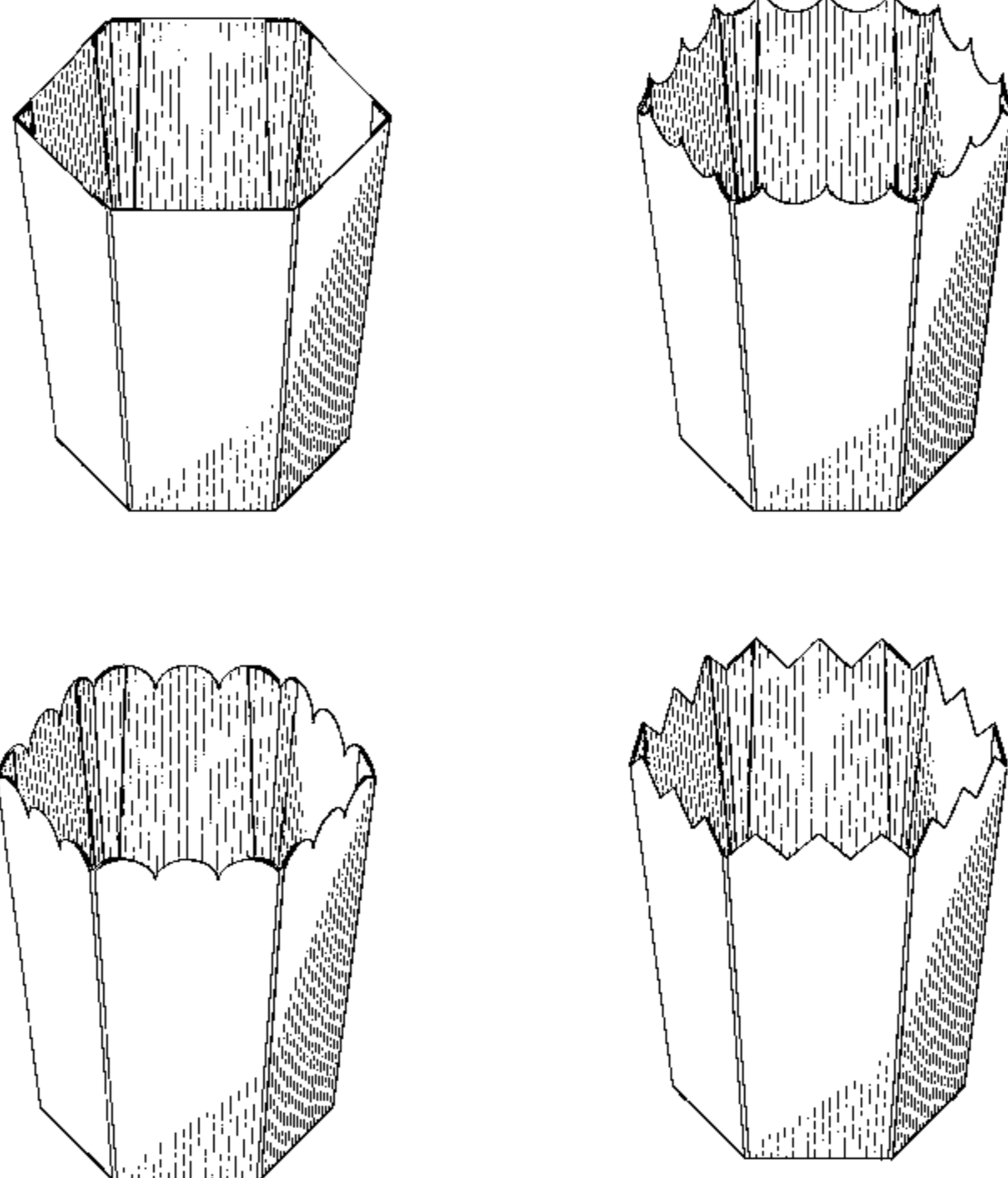
[57] CLAIM

The ornamental design for a flower pot cover, as shown and described.

DESCRIPTION

FIG. 1 is a perspective view of our new flower pot cover design;
FIG. 2 is a side elevational view thereof;
FIG. 3 is a top plan view thereof;
FIG. 4 is a bottom plan view thereof;
FIG. 5 is a perspective view of a second embodiment of our new flower pot cover design;
FIG. 6 is a side elevational view thereof;
FIG. 7 is a top plan view thereof;
FIG. 8 is a bottom plan view thereof;
FIG. 9 is a perspective view of a third embodiment of our new flower pot cover design;
FIG. 10 is a side elevational view thereof;
FIG. 11 is a top plan view thereof;
FIG. 12 is a bottom plan view thereof;
FIG. 13 is a perspective view of a fourth embodiment of our new flower pot cover design;
FIG. 14 is a side elevational view thereof;
FIG. 15 is a top plan view thereof; and,
FIG. 16 is a bottom plan view thereof.
The flower pot cover has no substantial thickness.

1 Claim, 4 Drawing Sheets



Des. 419,914

Page 2

U.S. PATENT DOCUMENTS			
D. 360,382	7/1995	Weder et al.	D11/164
D. 360,386	7/1995	Weder et al.	D11/164
D. 360,387	7/1995	Weder et al.	D11/164
D. 361,294	8/1995	Weder et al.	D11/164
D. 361,295	8/1995	Weder et al.	D11/164
D. 361,297	8/1995	Weder et al.	D11/164
D. 374,204	10/1996	Weder	D11/164
D. 379,780	6/1997	Weder	D11/164
D. 380,981	7/1997	Weder et al.	D11/164
1,065,486	6/1913	Washburn .	
1,300,164	4/1919	Guardino	229/1.5 B
1,520,647	12/1924	Hennegan	47/72
1,794,212	2/1931	Snyder	47/72
2,054,934	9/1936	Graffenberger	229/21
2,102,510	12/1937	Cecil, 2D	229/52
2,355,559	8/1944	Renner	229/8
3,443,741	5/1969	Stockdale	D9/431 X
4,166,568	9/1979	Swan	229/108
5,127,817	7/1992	Weder at al.	425/383
5,339,565	8/1994	Weder et al.	47/72

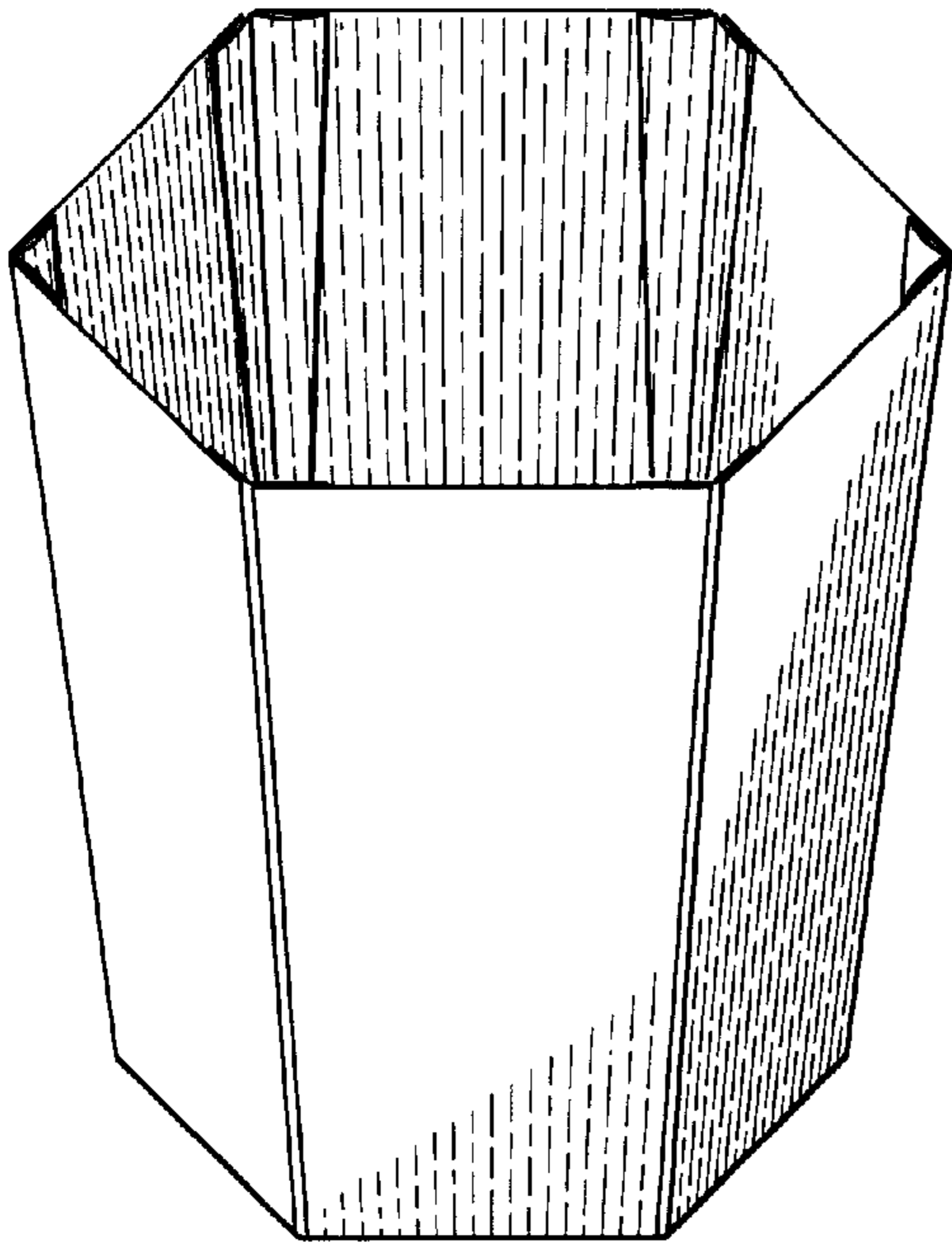


FIG. 1

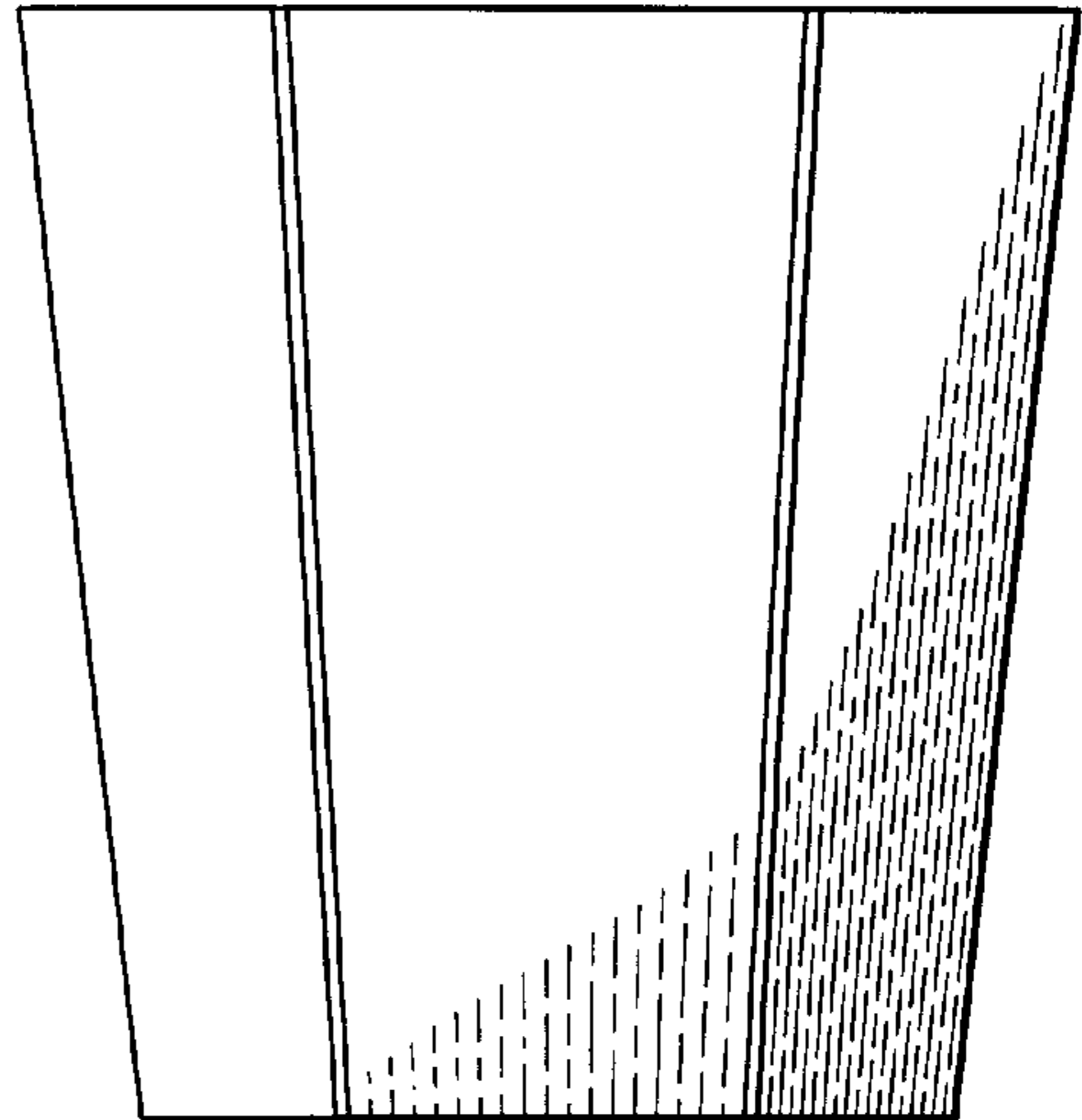


FIG. 2

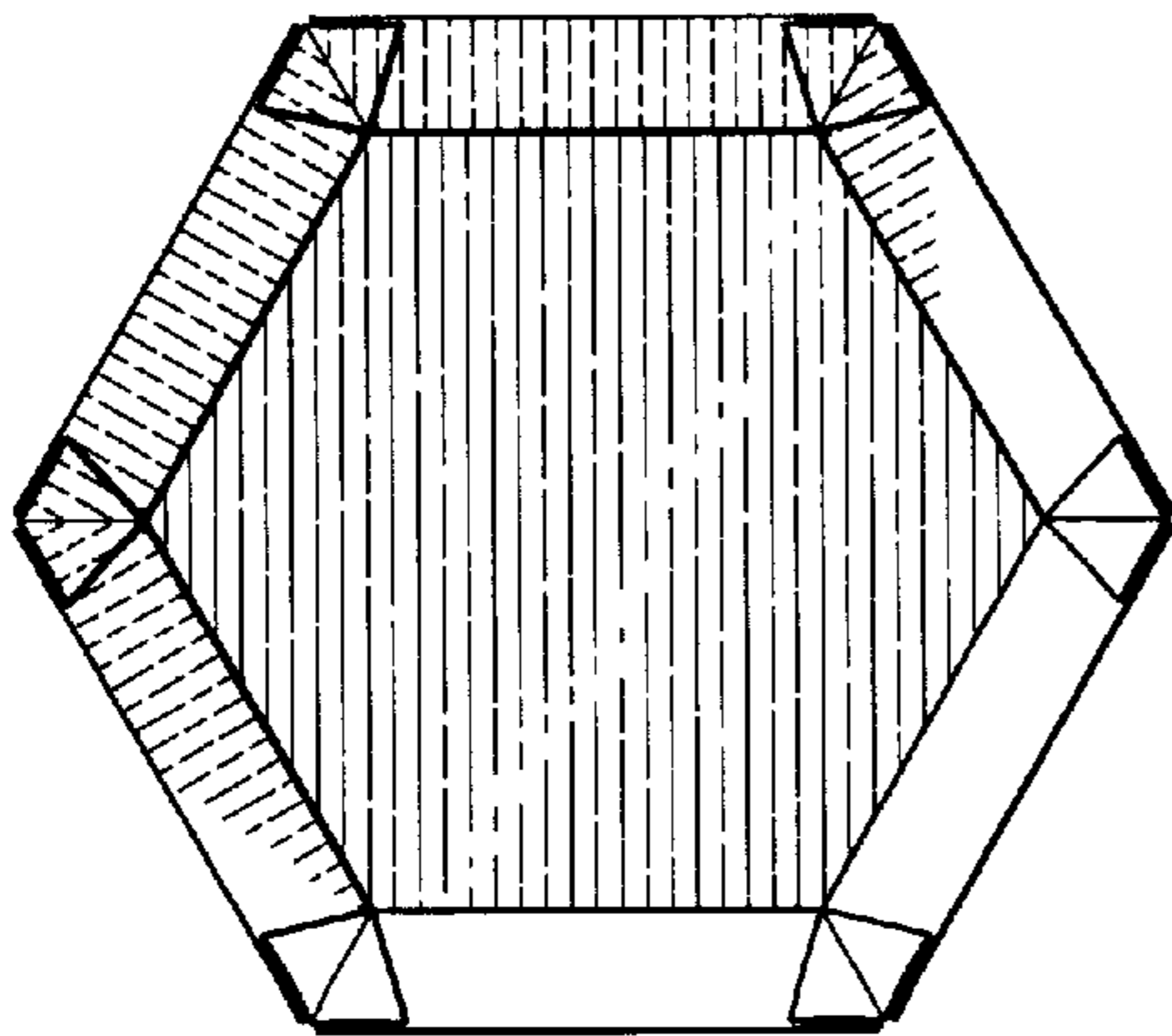


FIG. 3

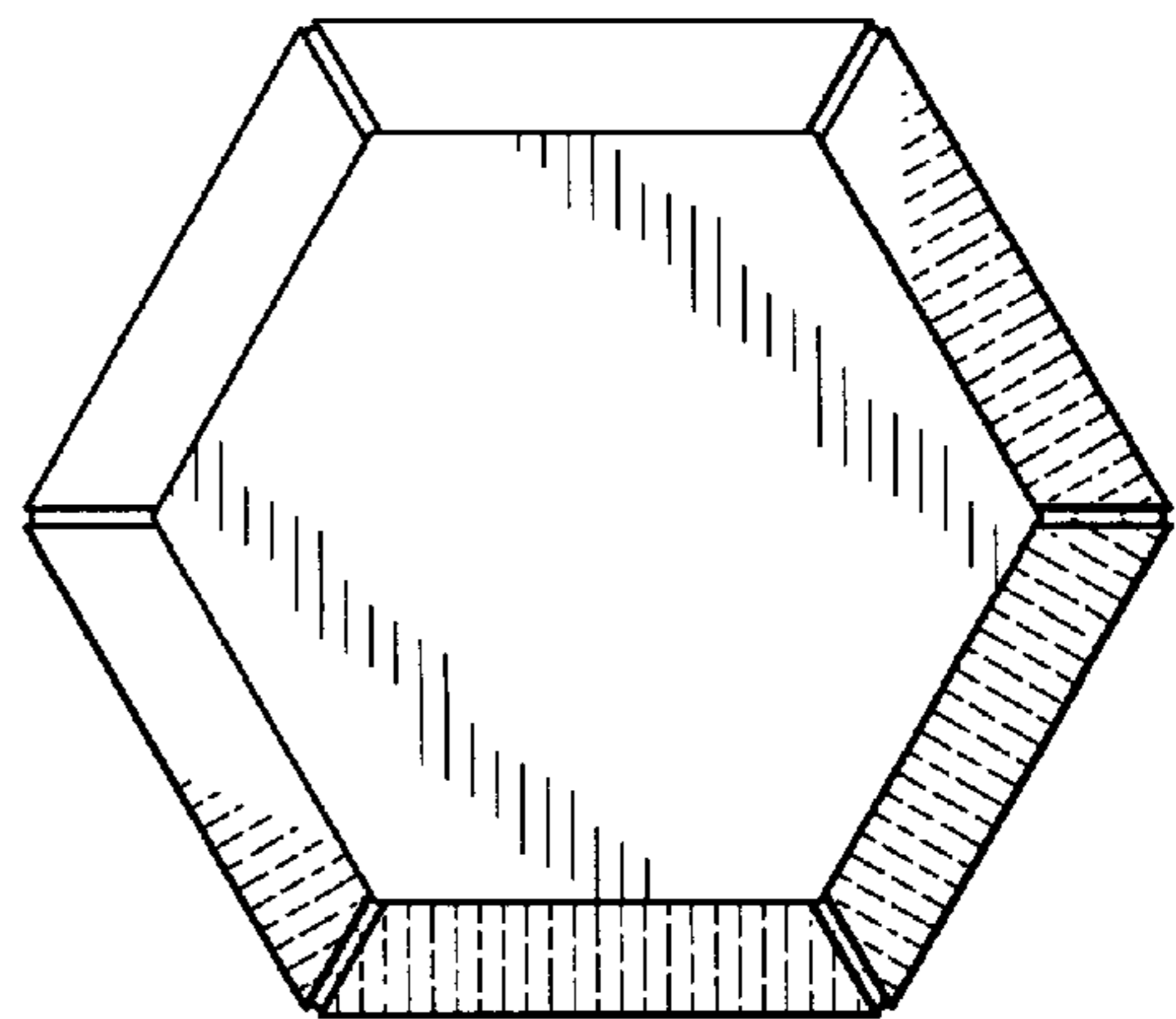


FIG. 4

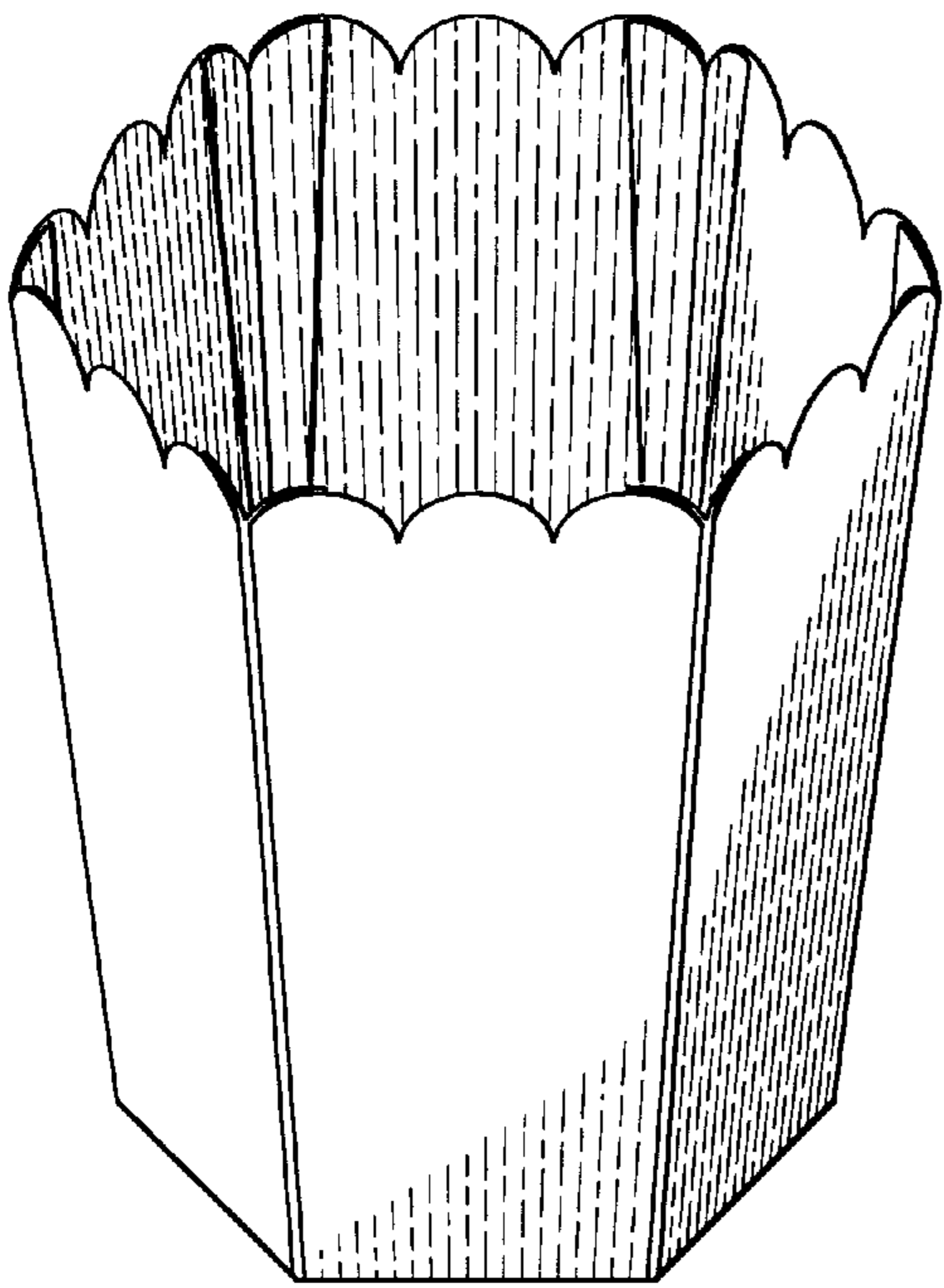


FIG. 1

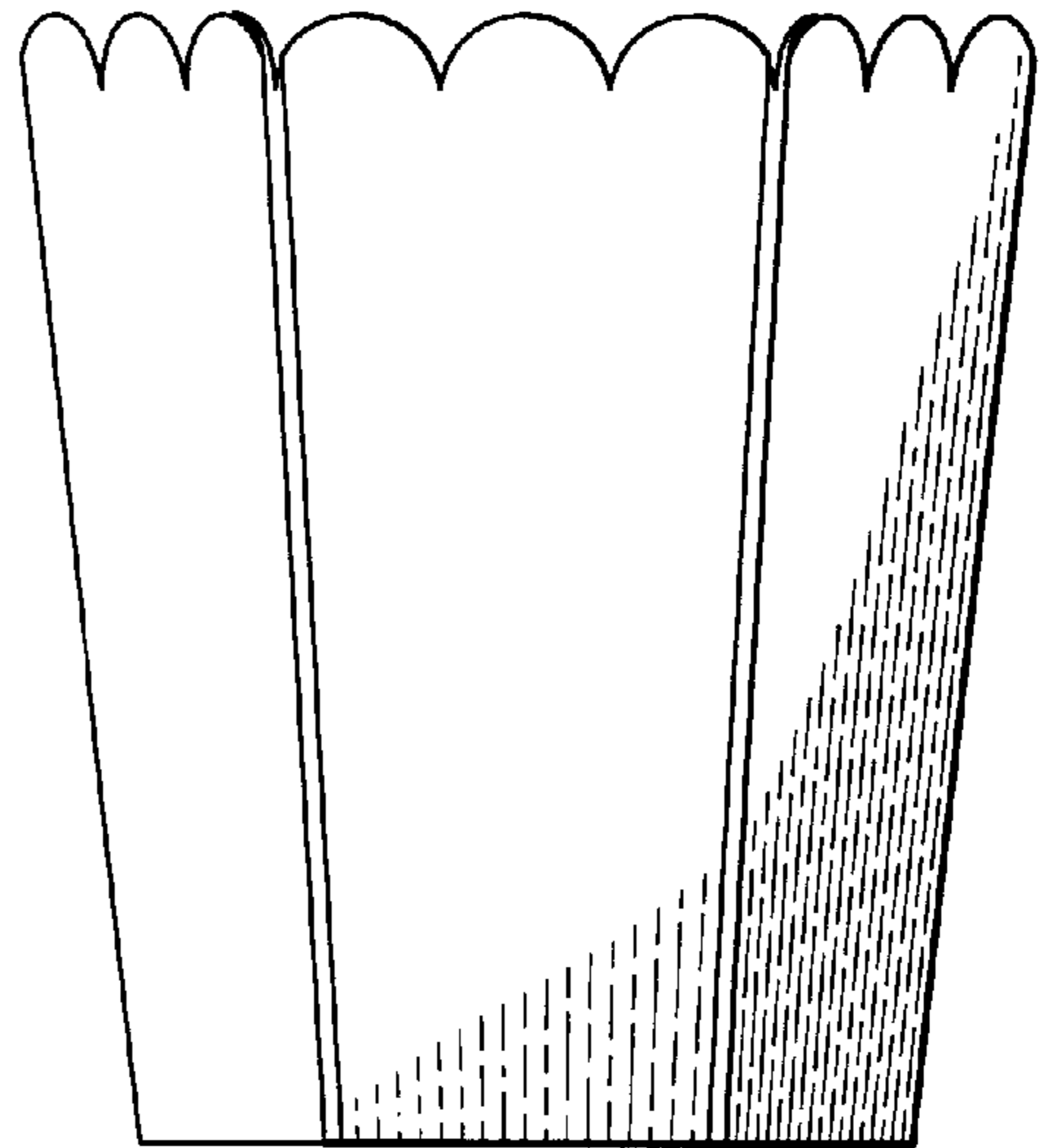


FIG. 2

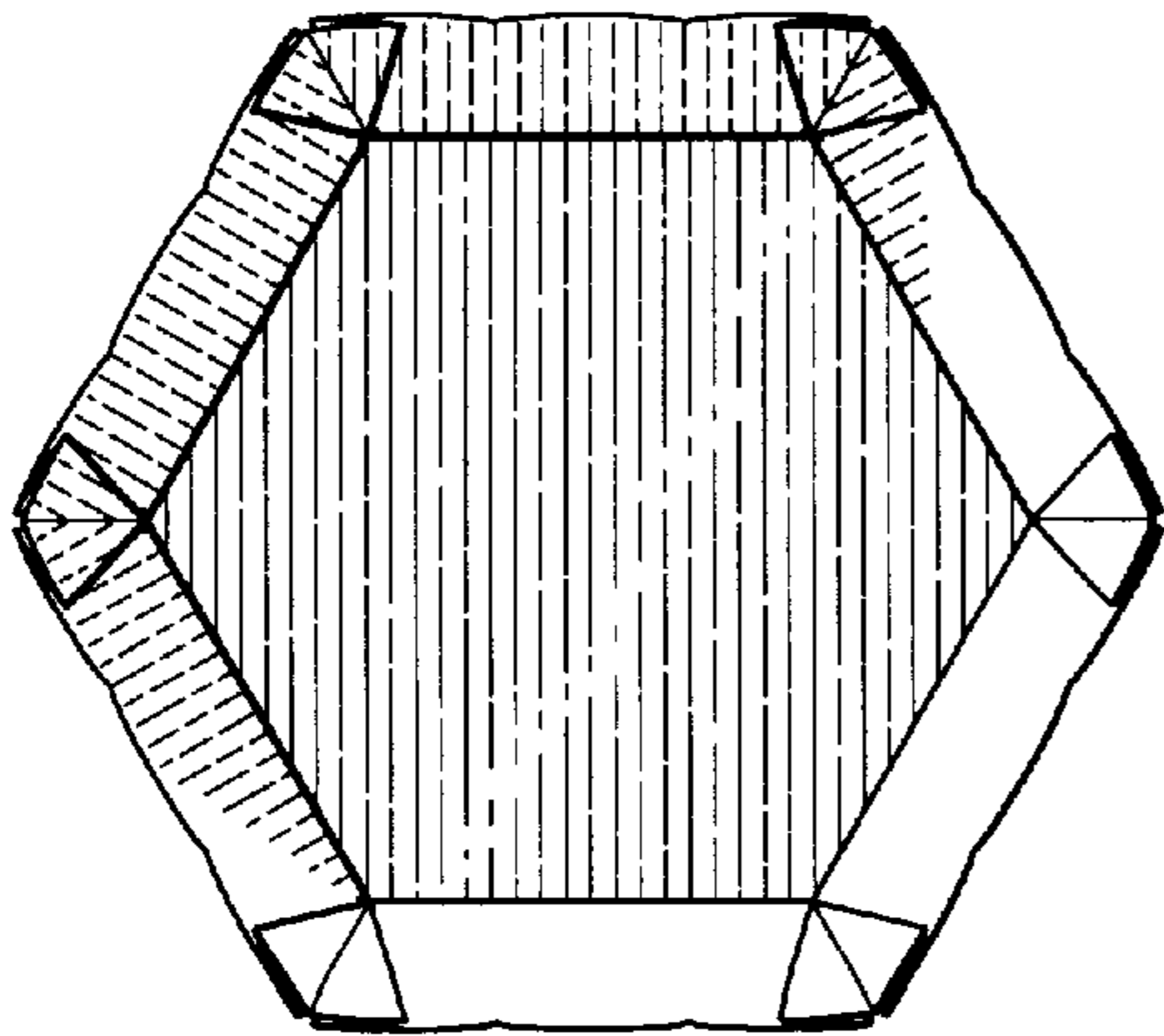


FIG. 3

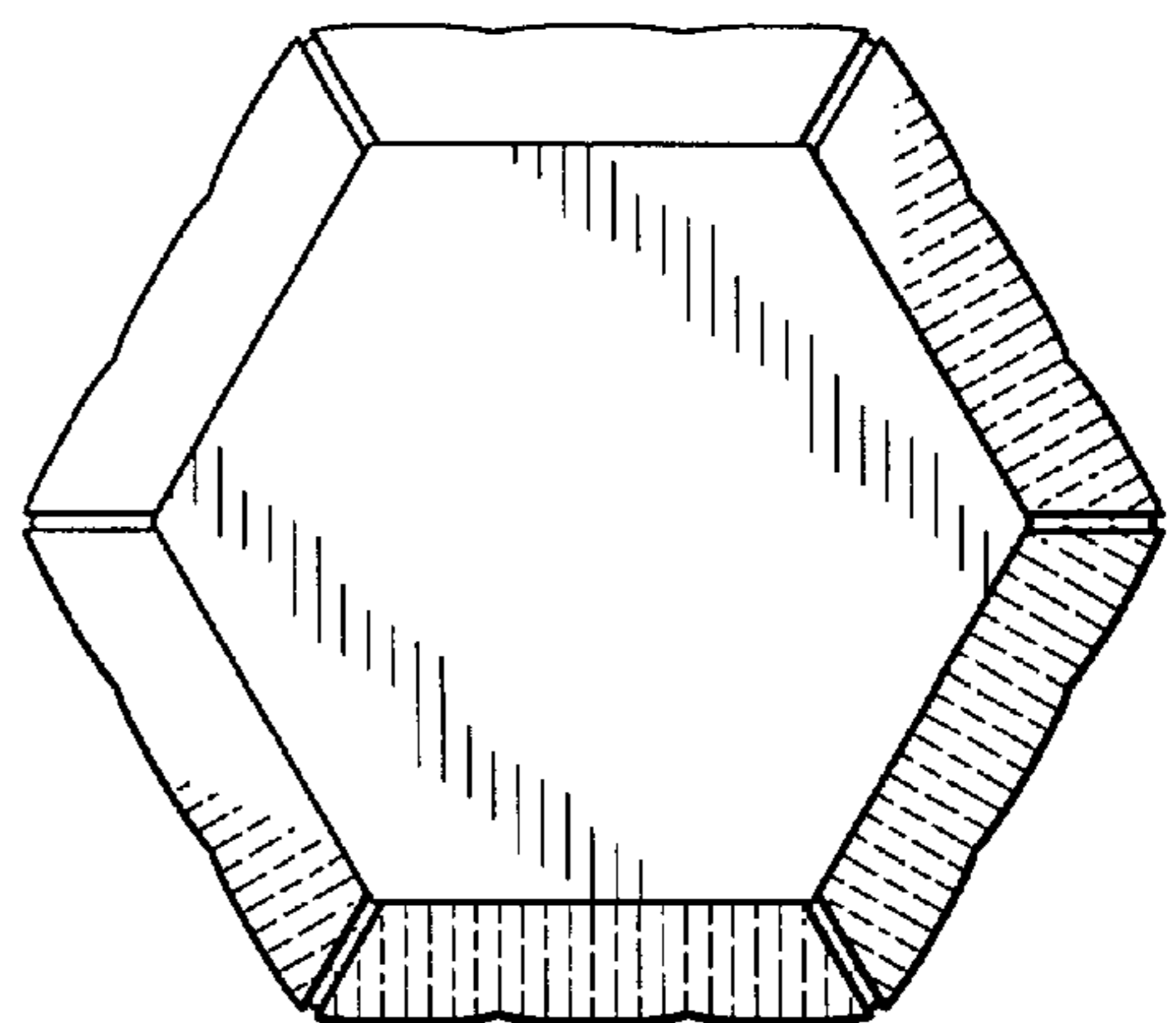


FIG. 4

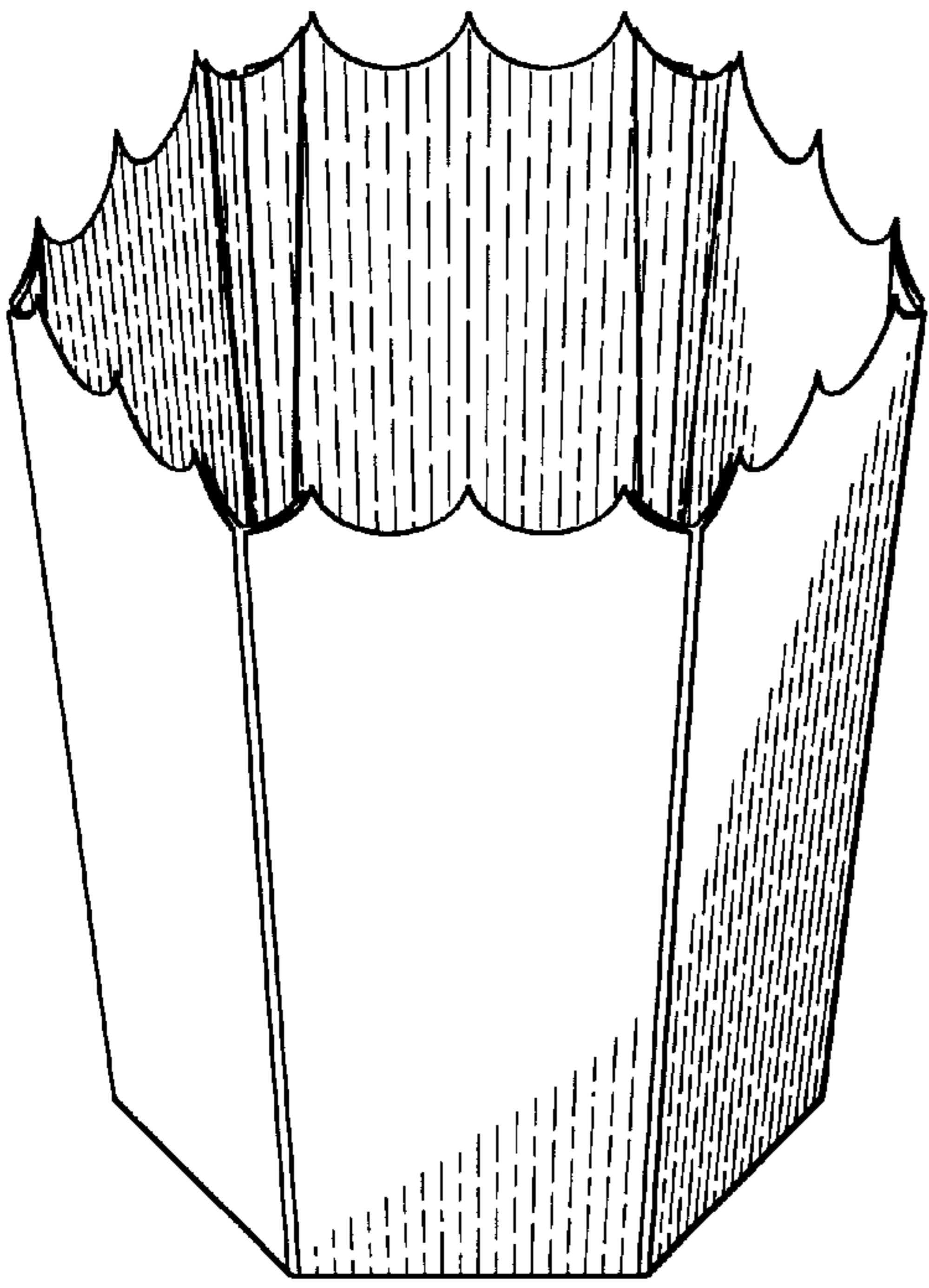


FIG. 9

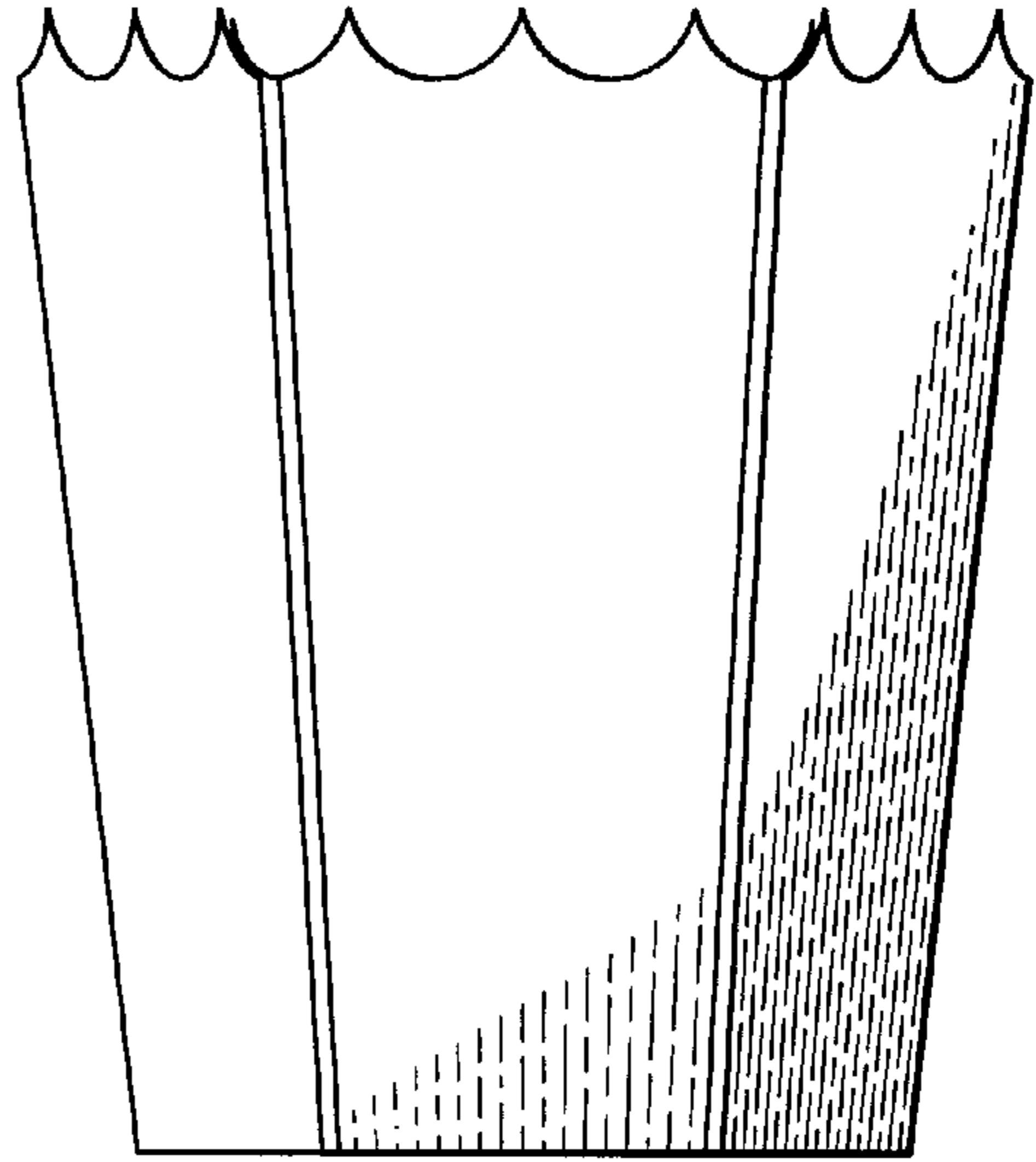


FIG. 10

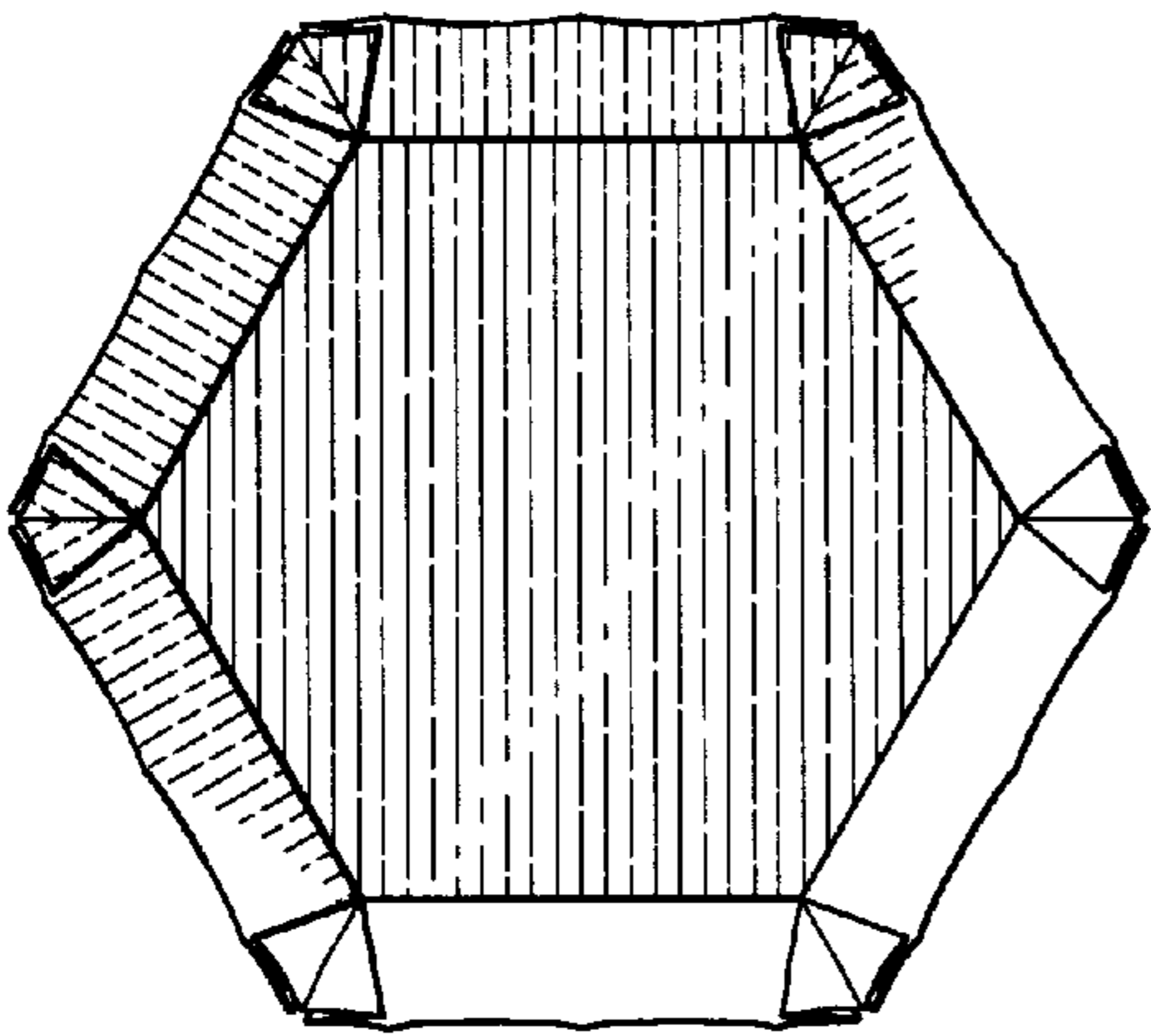


FIG. 11

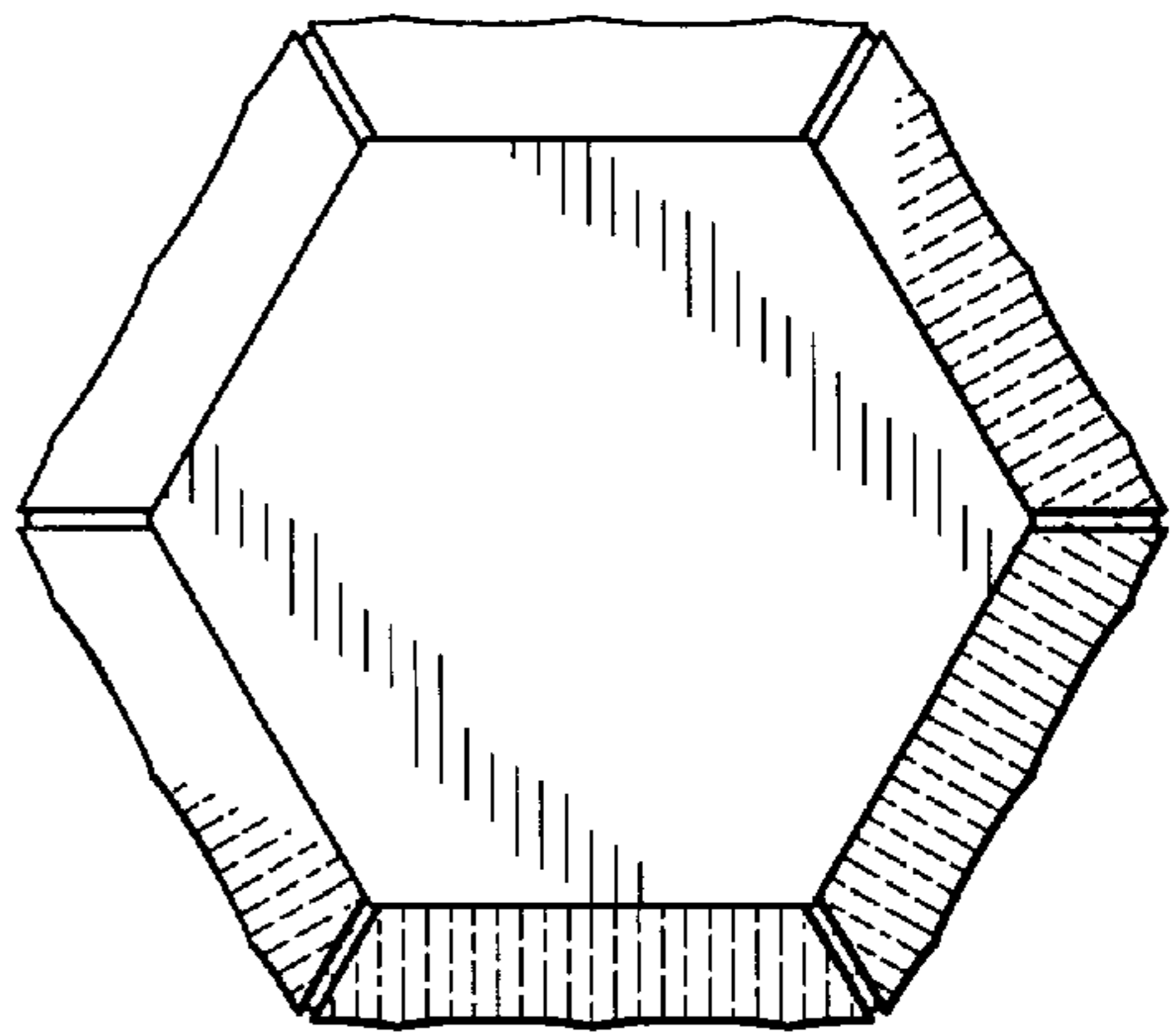


FIG. 12

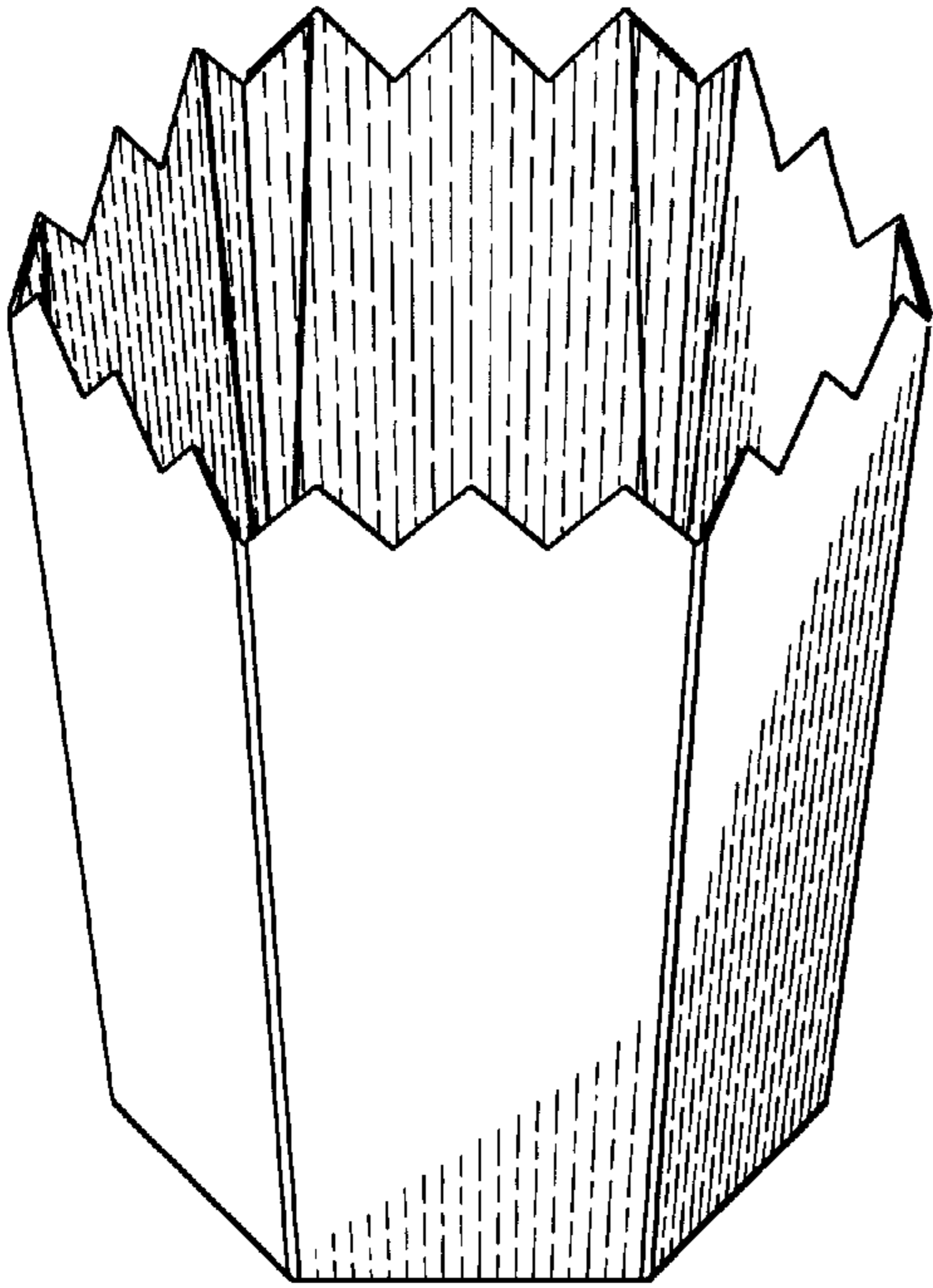


FIG. 13

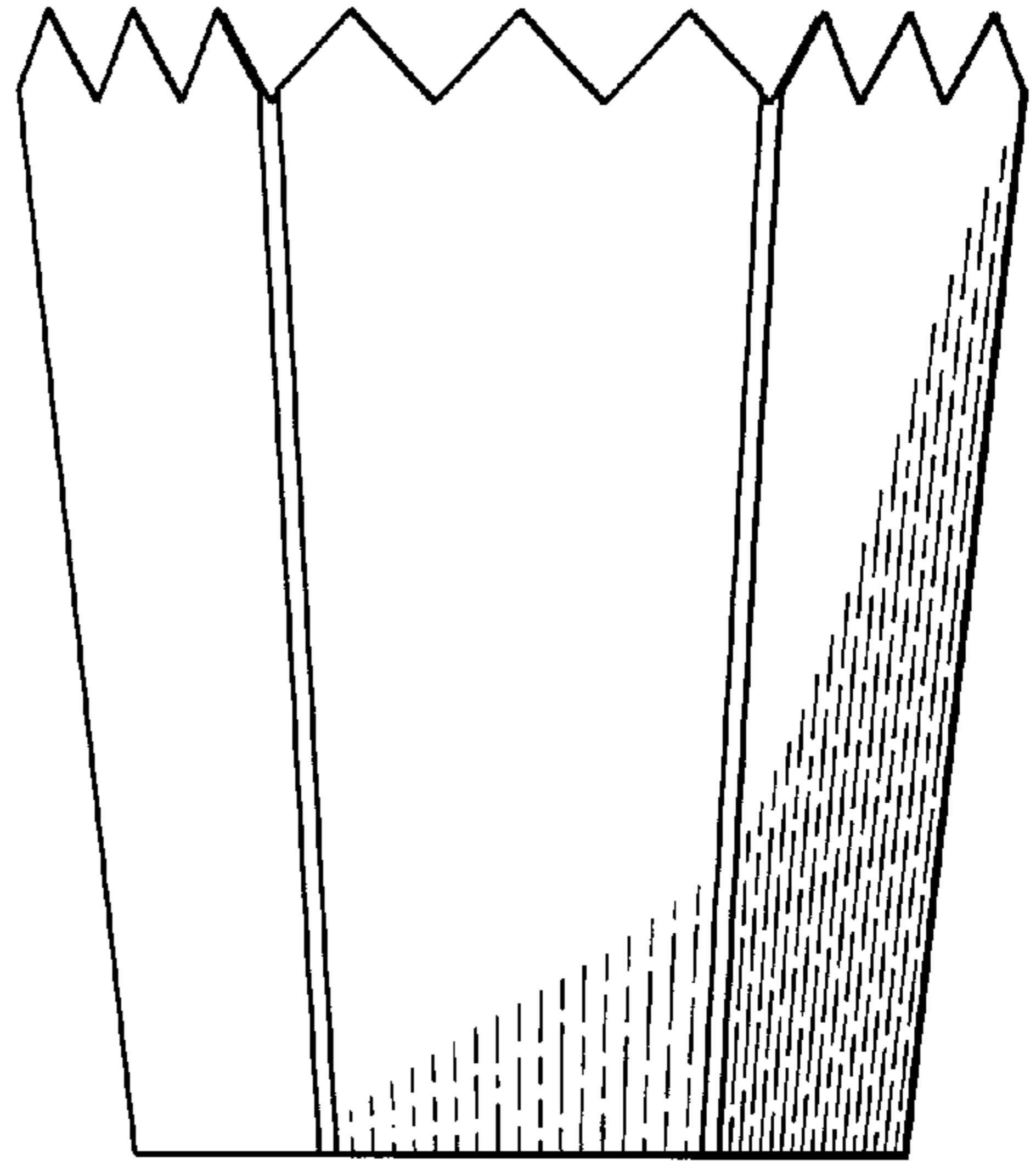


FIG. 14

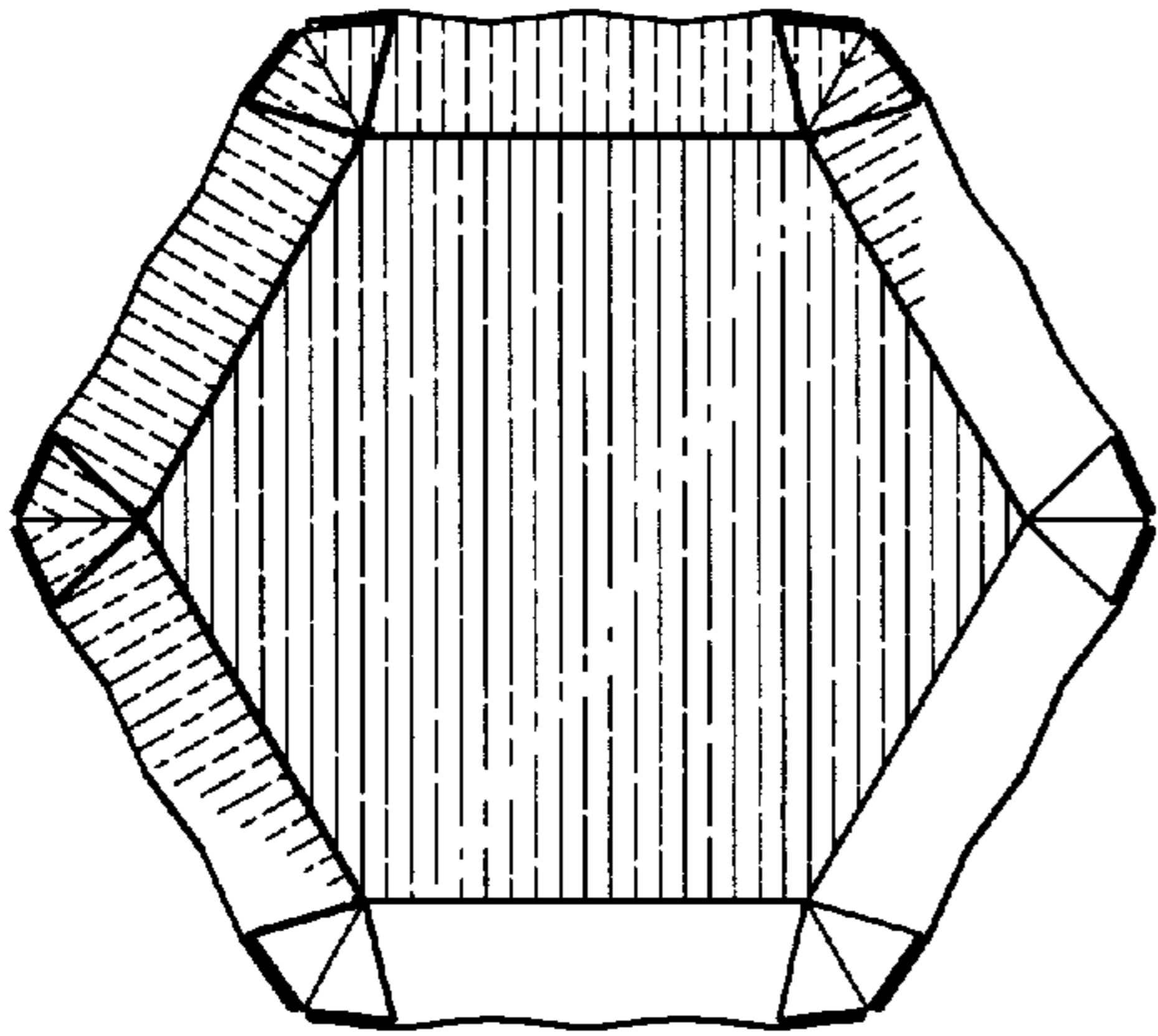


FIG. 15

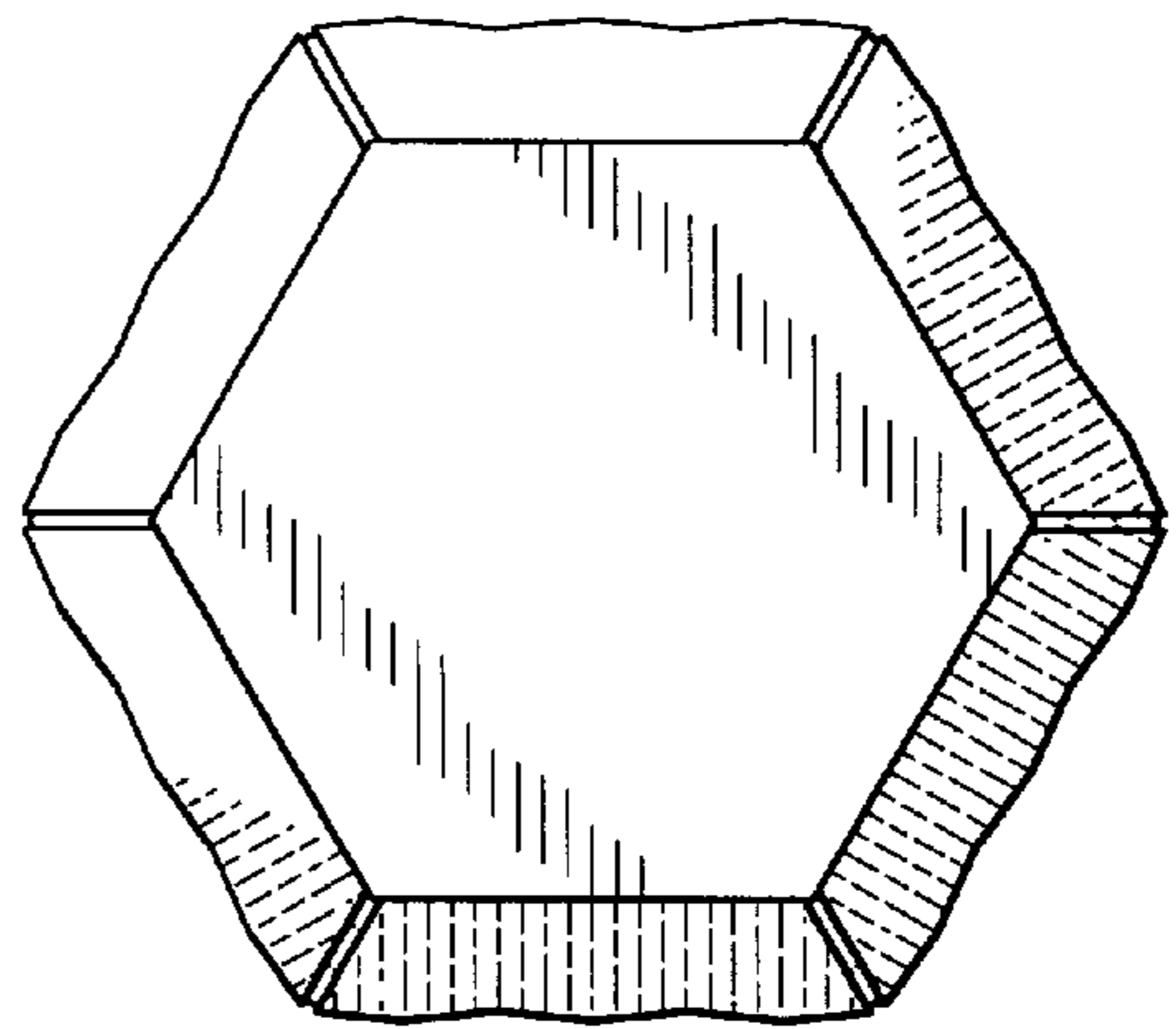


FIG. 16