



US00D419904S

United States Patent [19]

[11] Patent Number: **Des. 419,904**

Asahina

[45] Date of Patent: **** Feb. 1, 2000**

[54] **SIGNAL UNIT FOR AN AUDIBLE ALARM**

[57] **CLAIM**

[75] Inventor: **Masato Asahina**, Yamanashi-ken, Japan

The ornamental design for a signal unit for an audible alarm, as shown and described.

[73] Assignee: **Citizen Electronics Co. Ltd.**,
Yamanashi-ken, Japan

DESCRIPTION

[**] Term: **14 Years**

FIG. 1 is a top view of a signal unit for an audible alarm embodying our new design;

[21] Appl. No.: **29/103,372**

FIG. 2 is a front view thereof;

[22] Filed: **Apr. 14, 1999**

FIG. 3 is a bottom view thereof;

[51] **LOC (7) Cl.** **10-05**

FIG. 4 is a rear view thereof;

[52] **U.S. Cl.** **D10/116**

FIG. 5 is a left side view thereof;

[58] **Field of Search** D10/104, 116,
D10/121; 340/384.1, 384.3, 384.7, 388.1,
390.1, 391.1, 392.2, 392.4

FIG. 6 is a right side view thereof;

FIG. 7 is a perspective view as viewed from the upper side thereof;

[56] **References Cited**

U.S. PATENT DOCUMENTS

D. 350,705	9/1994	Sone	D10/116
D. 405,022	2/1999	Imahori	D10/116
D. 408,822	4/1999	Tajima et al.	D10/116
D. 410,210	5/1999	Akasaki	D10/116
D. 410,211	5/1999	Murano	D10/116

FIG. 8 is a perspective view as viewed from the lower side thereof;

FIG. 9 is an exploded perspective view as viewed from the upper side thereof;

FIG. 10 is an exploded perspective view as viewed from the lower side thereof;

FIG. 11 is a sectional view taken along a line A—A of FIG. 2;

FIG. 12 is a sectional view taken along a line B—B of FIG. 2; and,

FIG. 13 is a sectional view taken along a line C—C of FIG. 5.

Primary Examiner—Marcus A. Jackson

Attorney, Agent, or Firm—Dennison, Meserole, Scheiner & Schultz

1 Claim, 8 Drawing Sheets

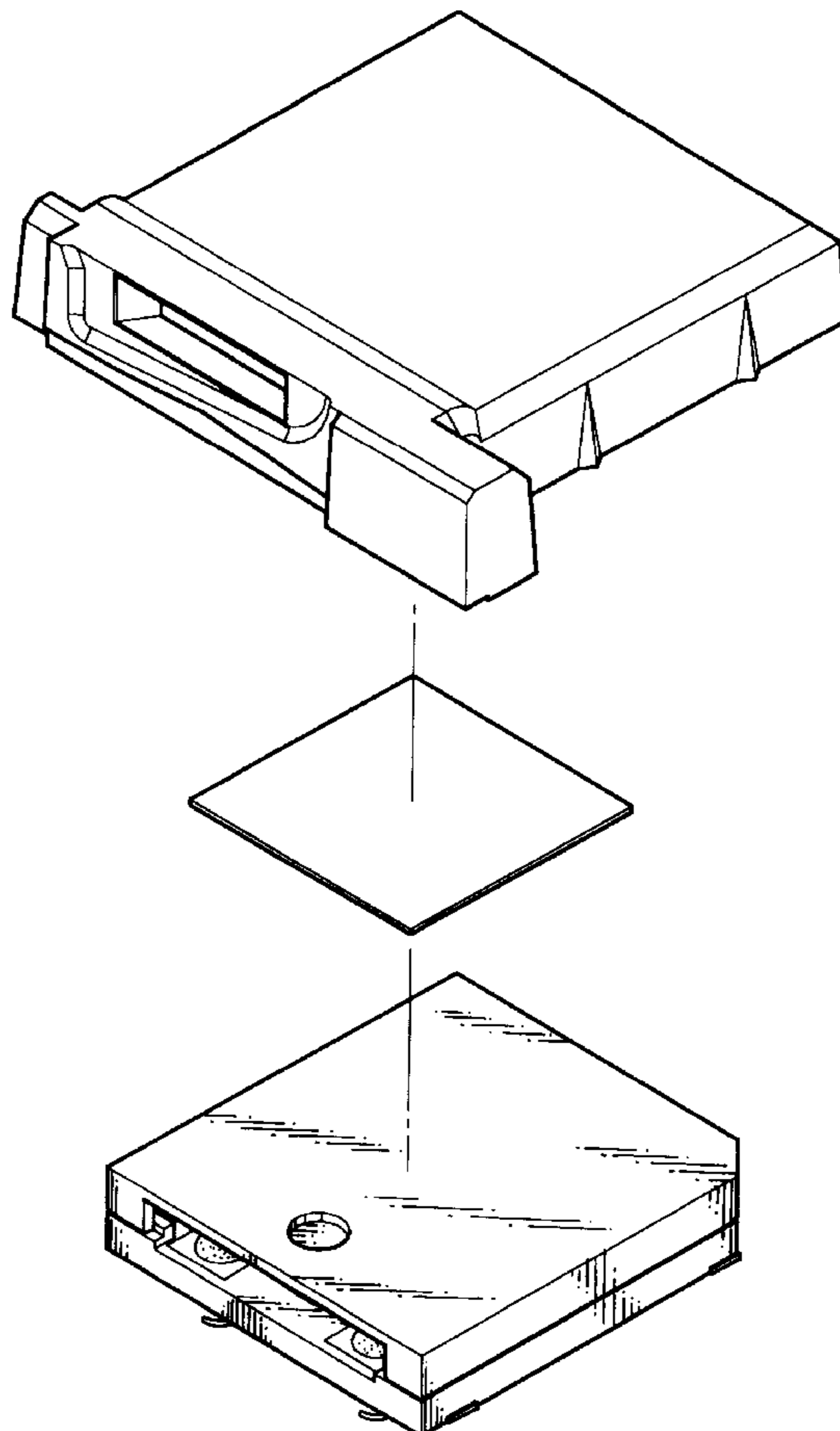


Fig . 1

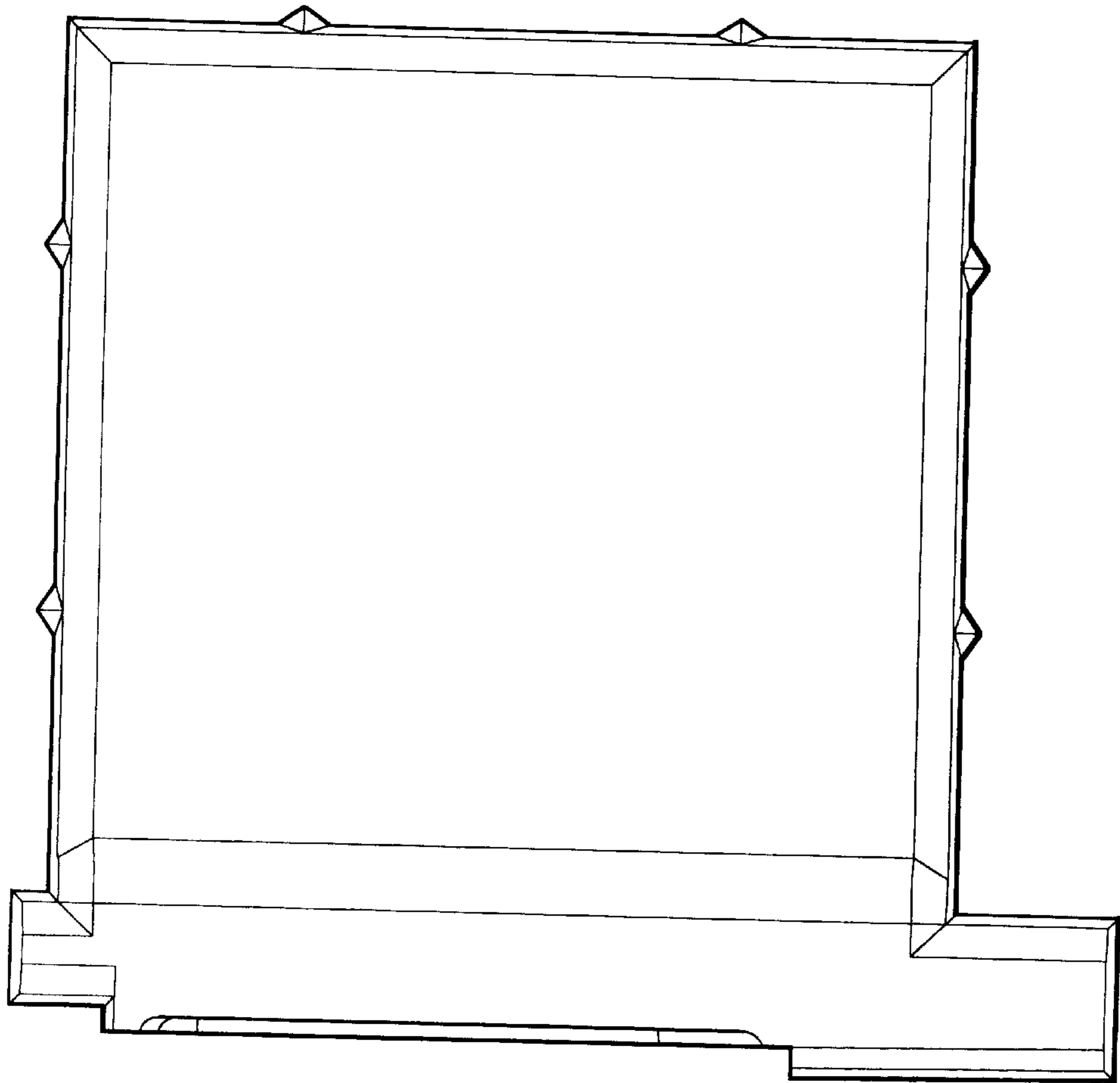


Fig . 2

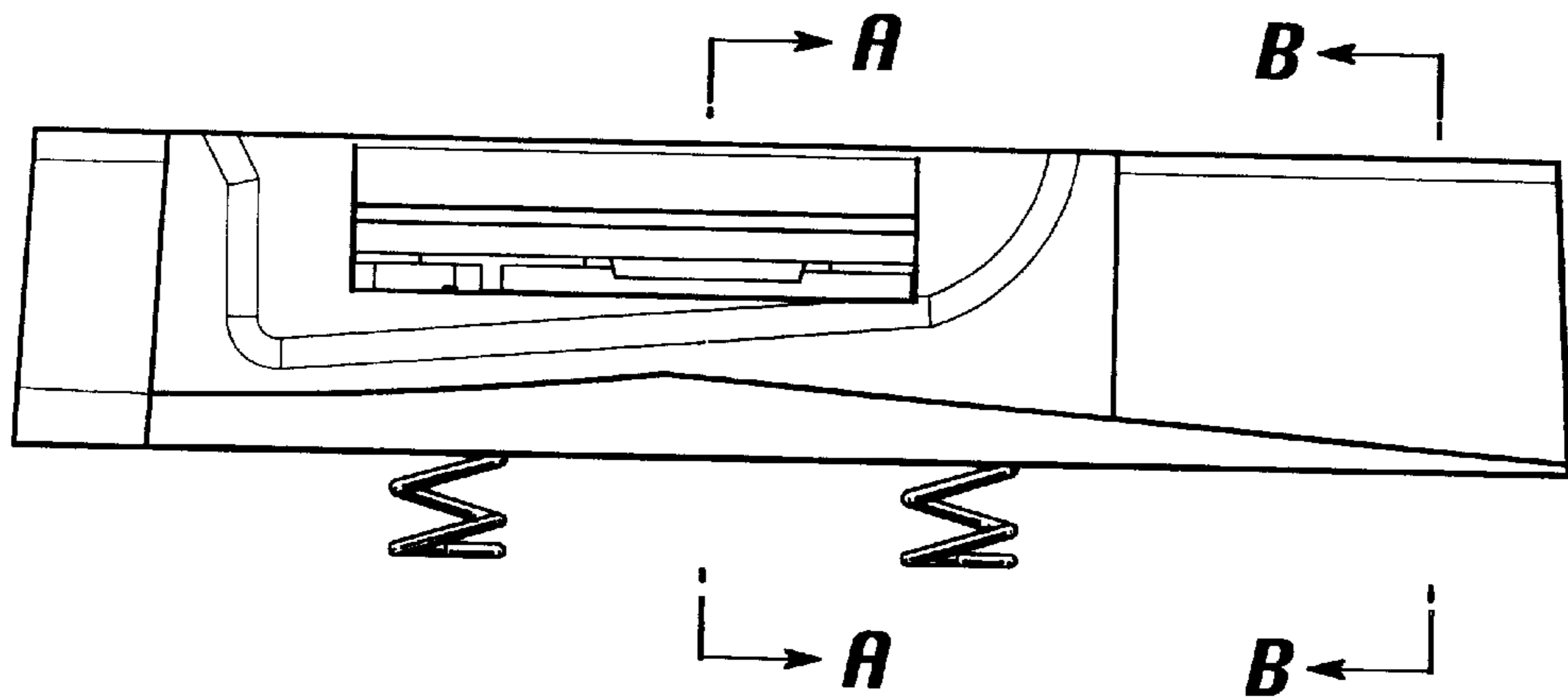


Fig. 3

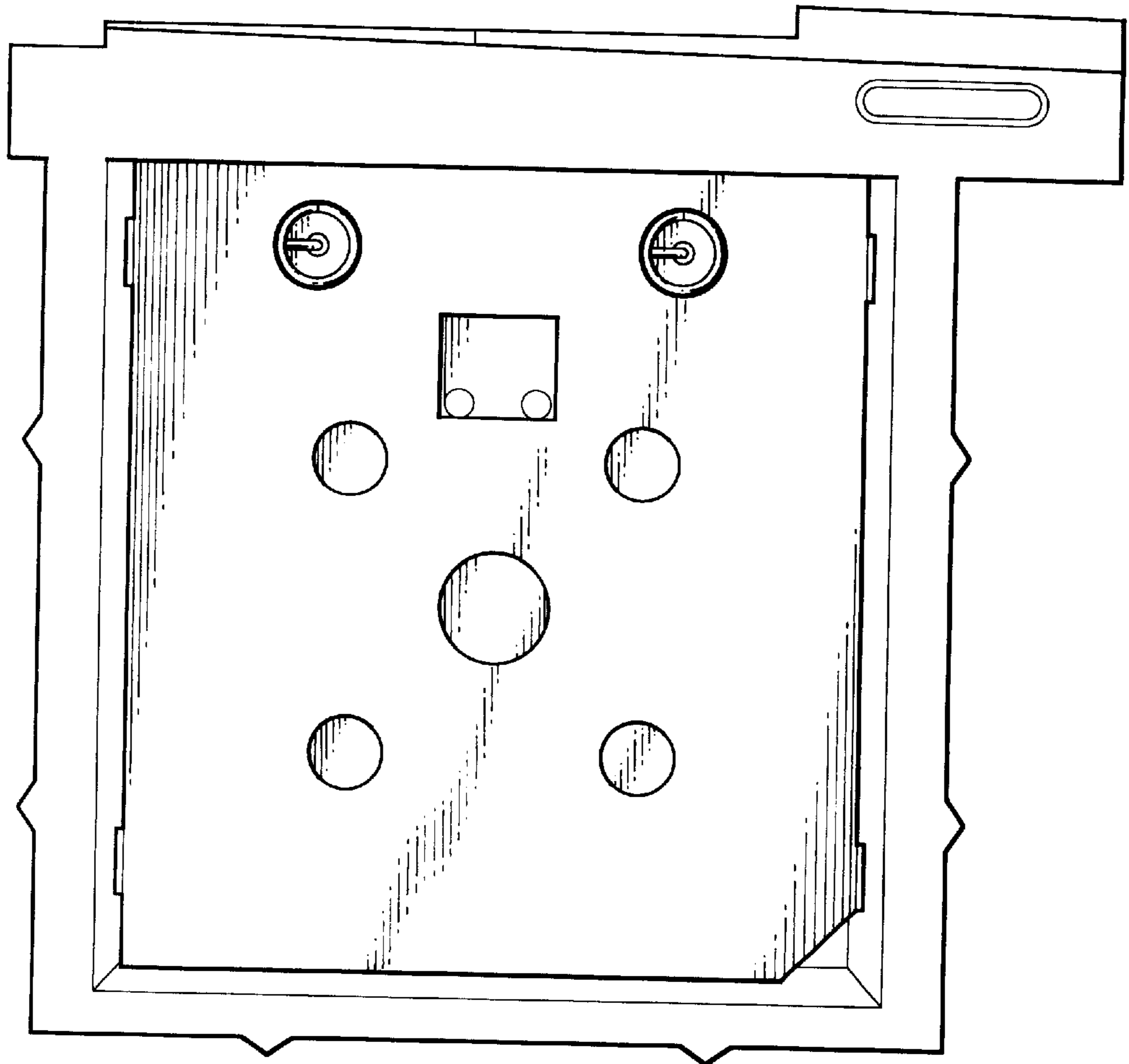


Fig. 4

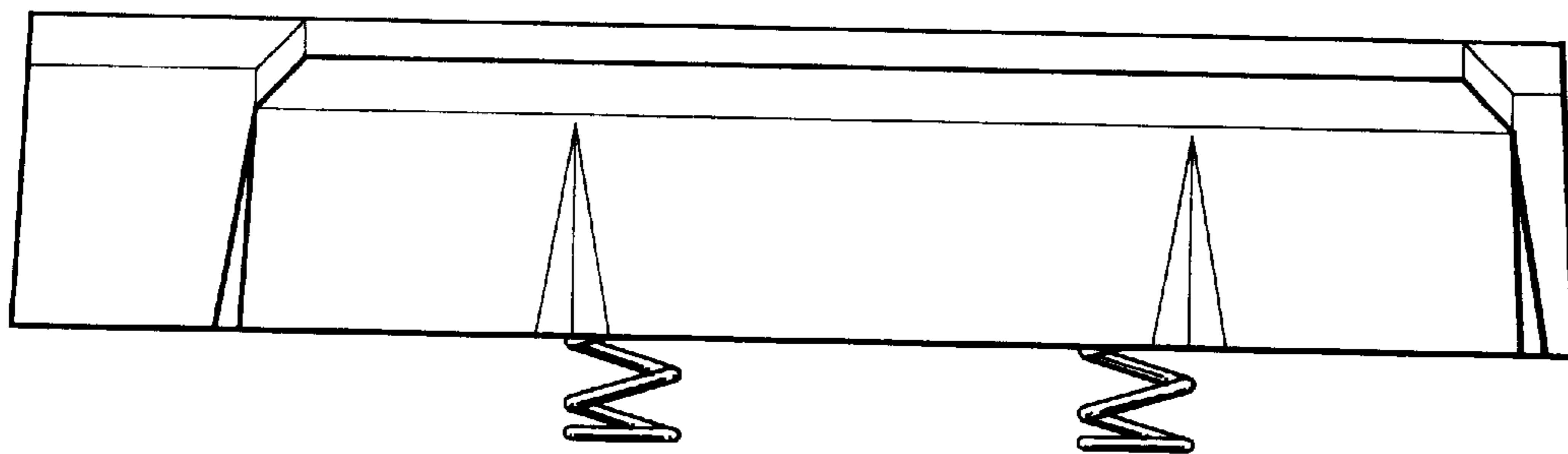


Fig . 5

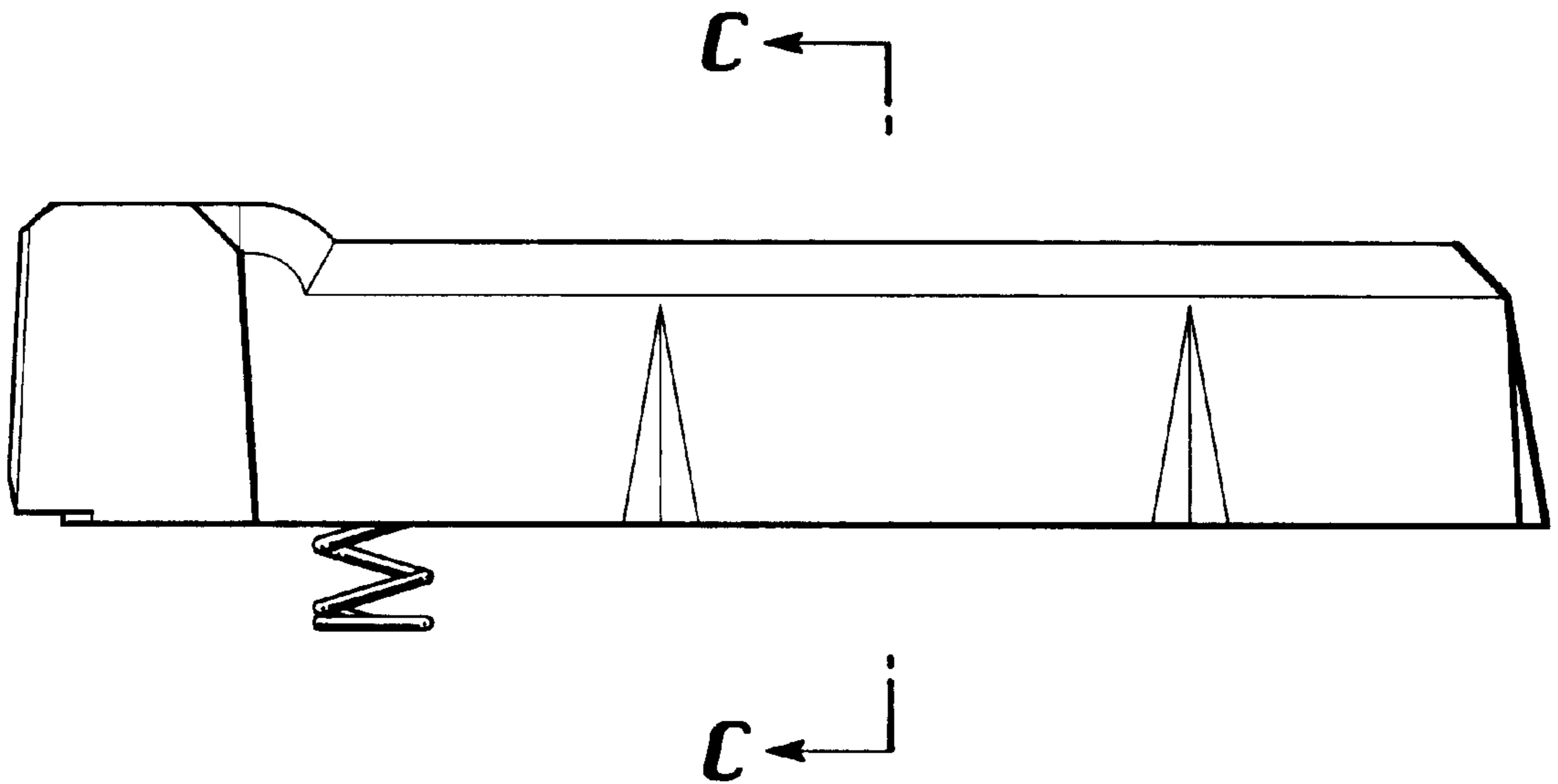


Fig . 6

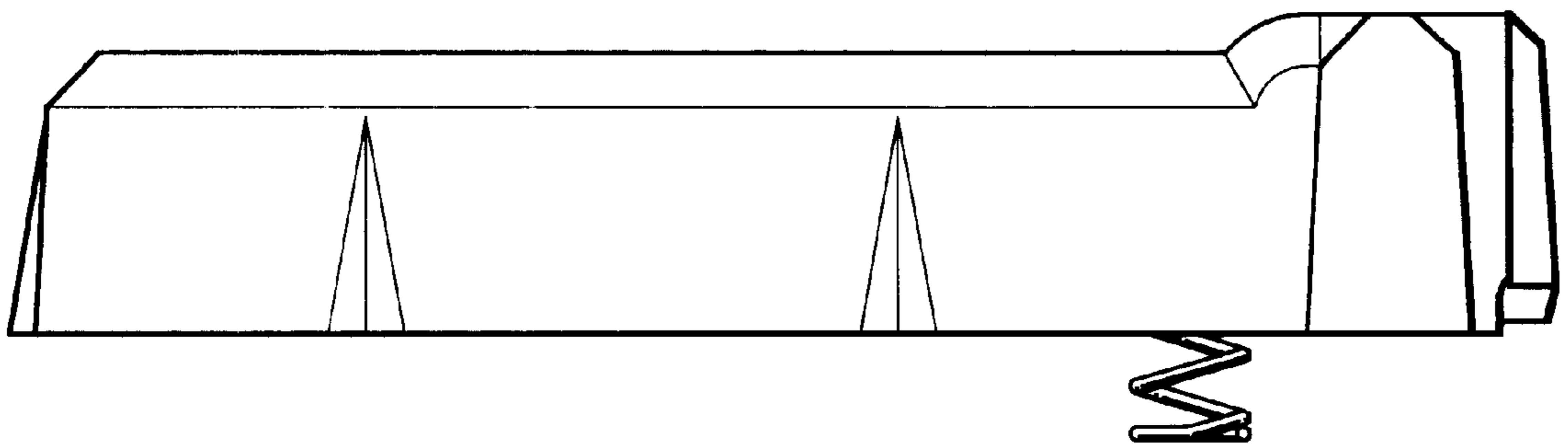


Fig. 7

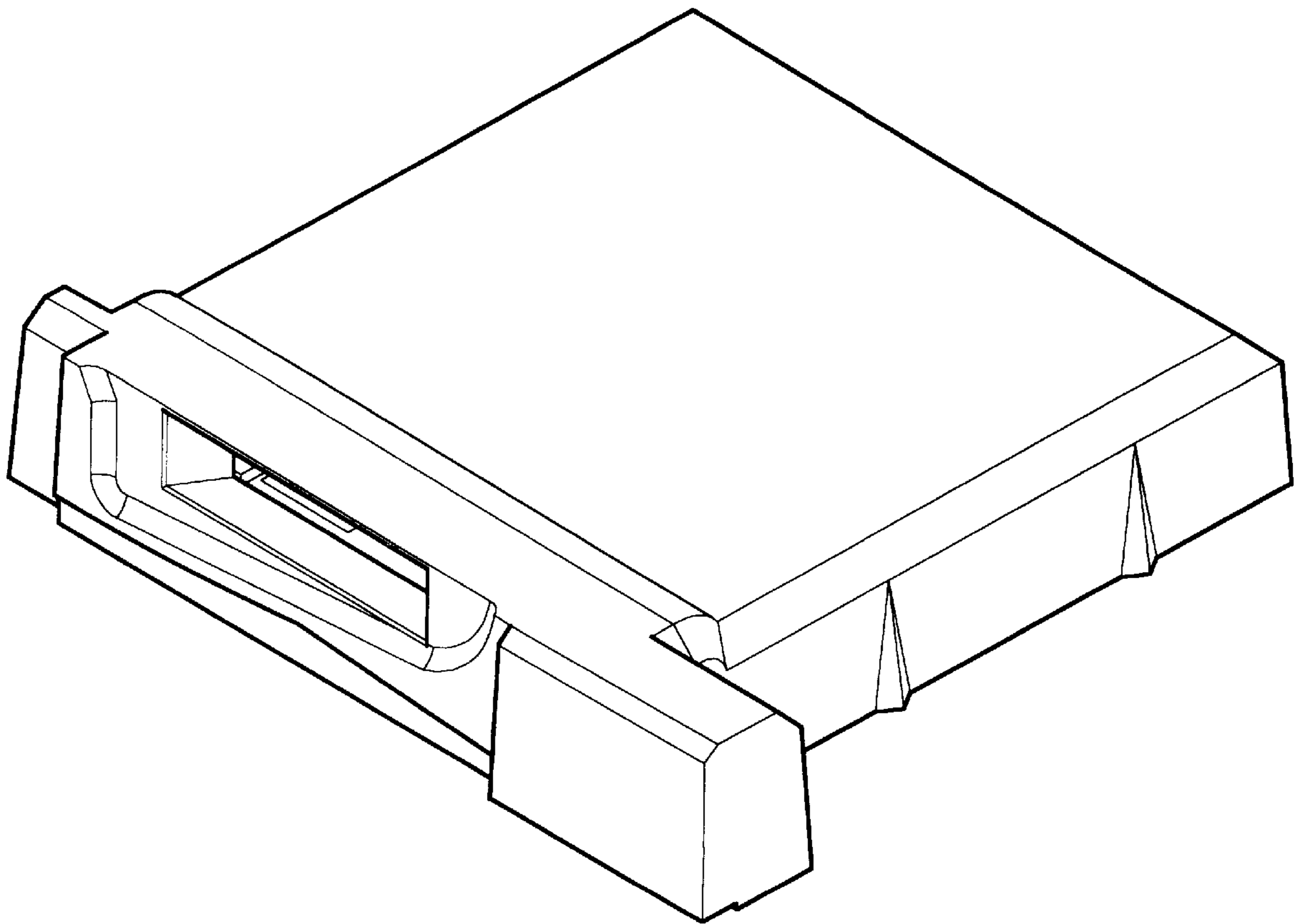


Fig. 8

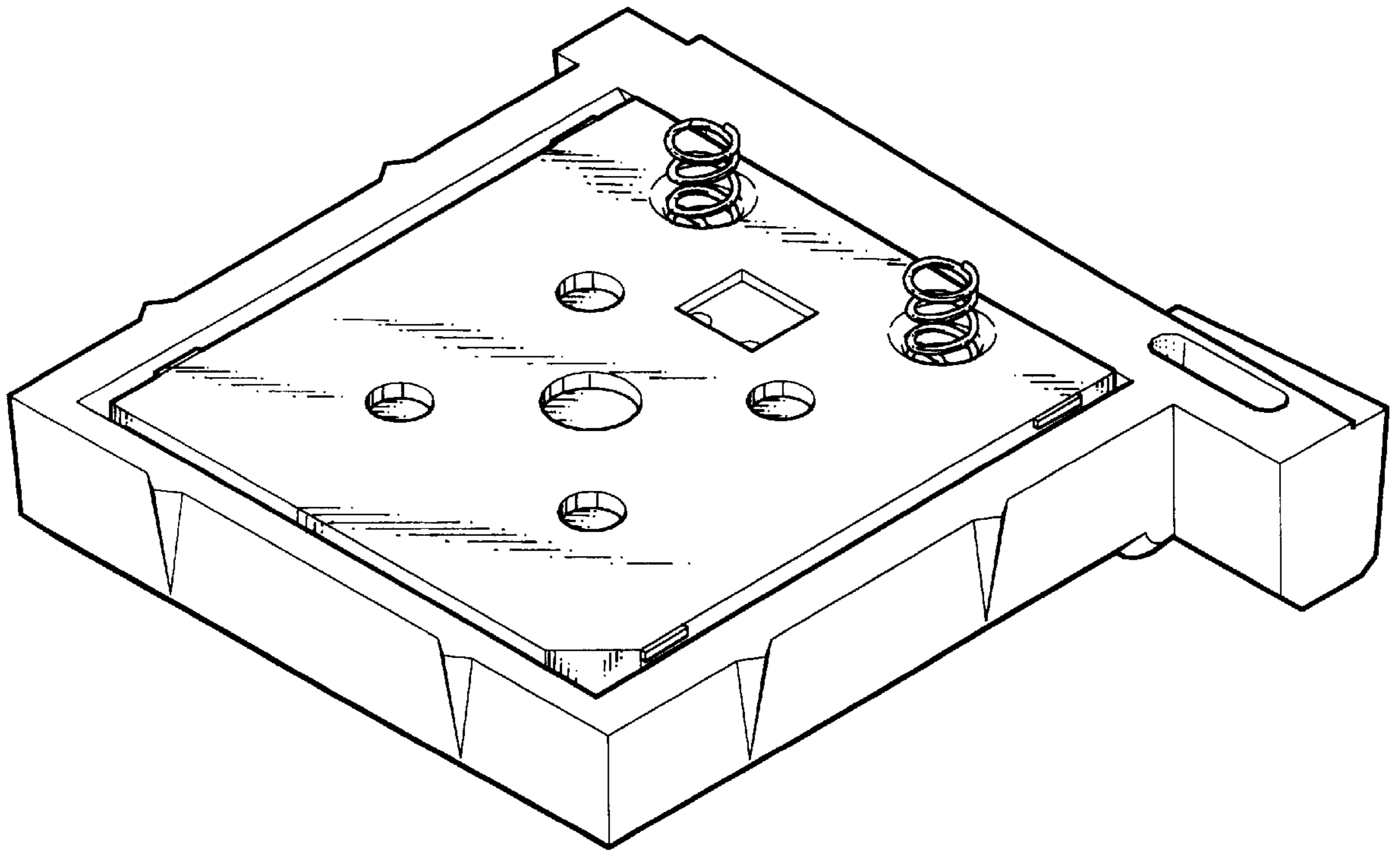


Fig. 9

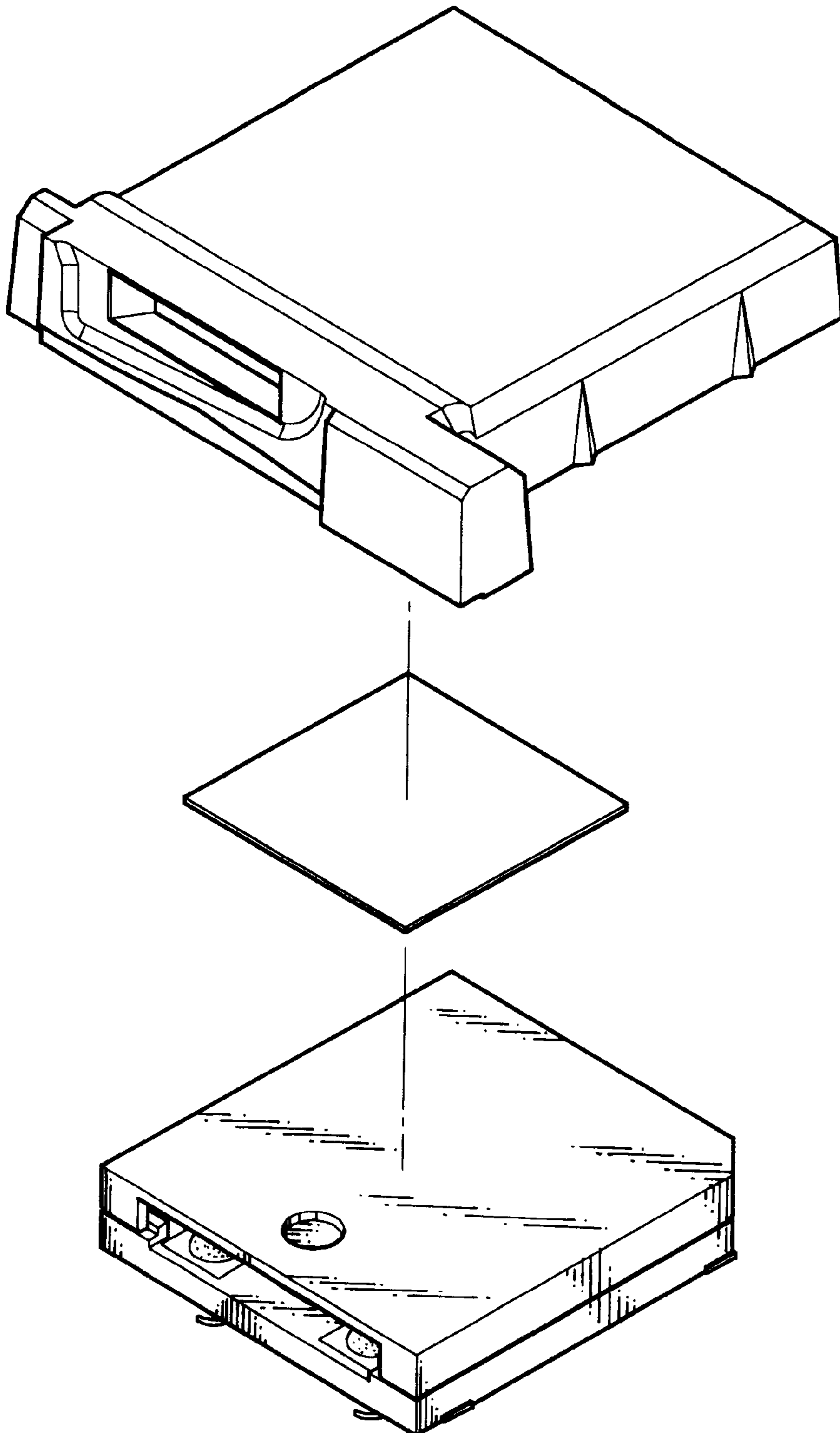


Fig. 10

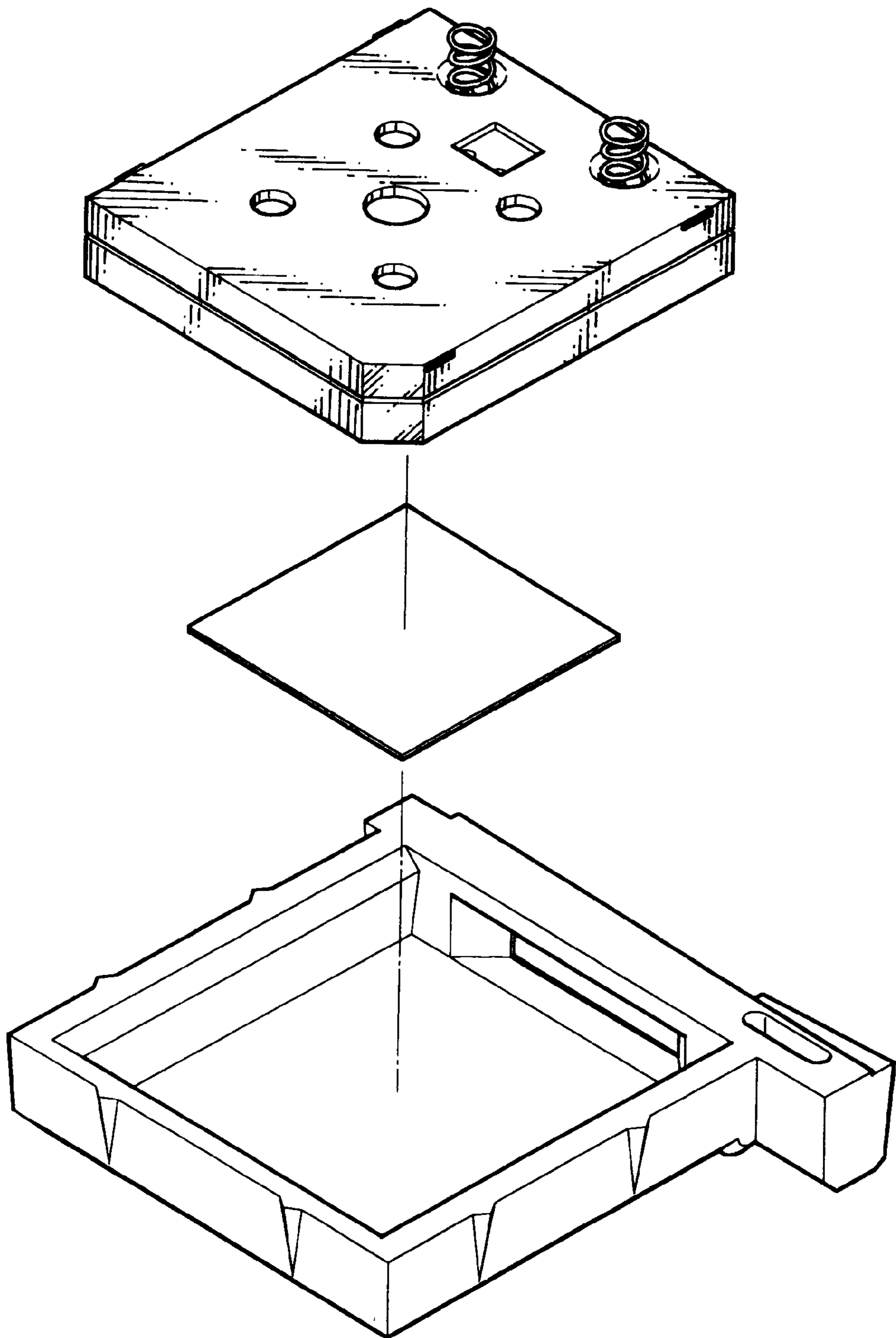


Fig. 11

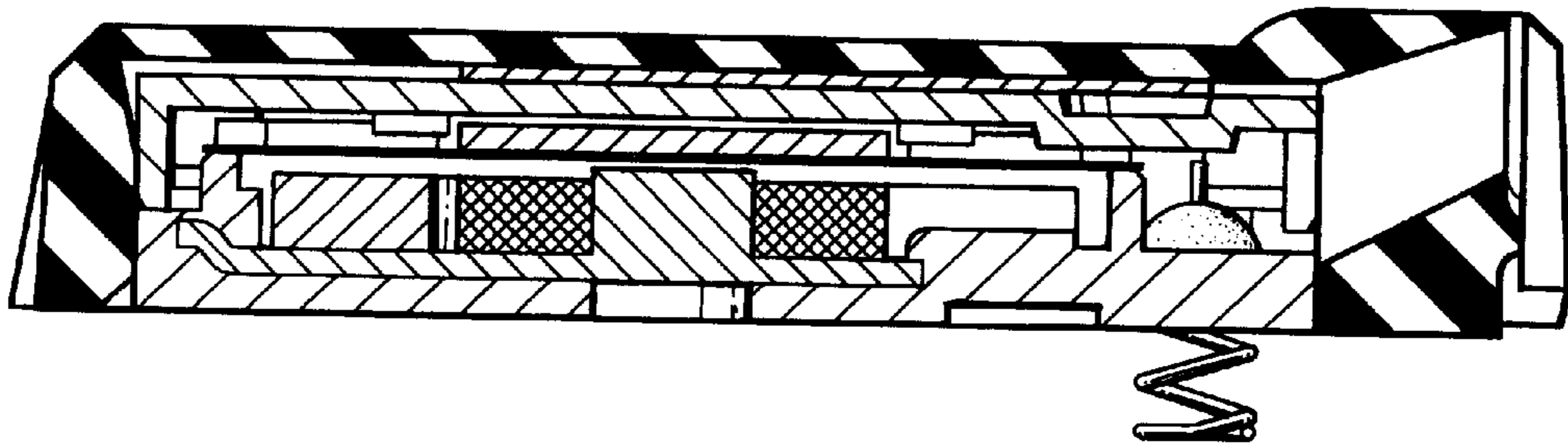


Fig. 12

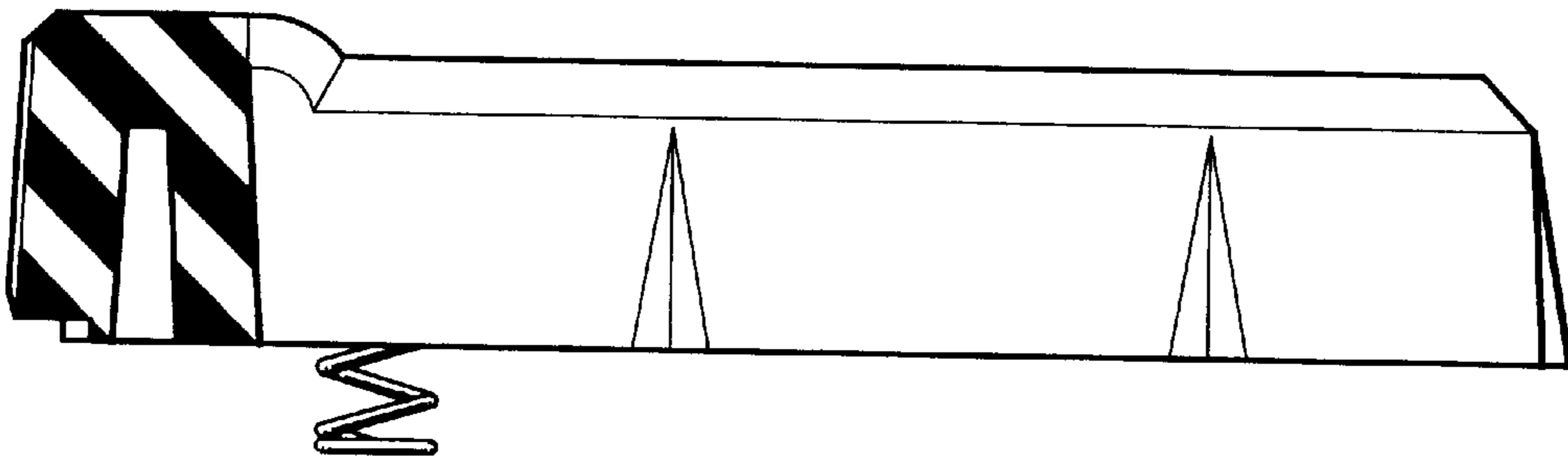


Fig. 13

