



US00D419903S

United States Patent [19]
Williams

[11] **Patent Number: Des. 419,903**
[45] **Date of Patent: ** Feb. 1, 2000**

[54] **WIND CHIME**

D. 362,819 10/1995 Stannard D10/116
D. 404,672 1/1999 Stannard D10/116
D. 405,209 2/1999 Stannard D10/116

[76] Inventor: **Joseph E. Williams**, P.O. Box 528,
Bath, Ohio 44210

[**] Term: **14 Years**

Primary Examiner—Marcus A. Jackson
Attorney, Agent, or Firm—Oldham & Oldham Co., L.P.A.

[21] Appl. No.: **29/103,100**

[57] **CLAIM**

[22] Filed: **Apr. 8, 1999**

The ornamental design for a wind chime, as shown and described.

Related U.S. Application Data

DESCRIPTION

[62] Division of application No. 29/086,120, Apr. 6, 1998.

[51] **LOC (7) Cl.** **10-05**

[52] **U.S. Cl.** **D10/116; D11/141**

[58] **Field of Search** D10/104, 109,
D10/116, 121; D11/141; D12/99; 84/402,
403, 404; 116/141, 169

FIG. 1 is a front elevational view of my new design of a wind chime;
FIG. 2 is a rear elevational view with reference to FIG. 2;
FIG. 3 is a top view, also with reference to FIG. 1;
FIG. 4 is a elevational view taken with respect to arrow 4 in FIG. 3; and,
FIG. 5 is a bottom view.

[56] **References Cited**

The view shown in FIG. 4 is provided in lieu of left and right side views of the design since it discloses more fully the ornamental feature of the central portion of the wind chime than a left or right side view would accomplish.

U.S. PATENT DOCUMENTS

D. 272,810 2/1984 Stilson D10/116
D. 285,669 9/1986 Brockmann D10/116
D. 317,419 6/1991 Ronyheimer D10/116

1 Claim, 2 Drawing Sheets

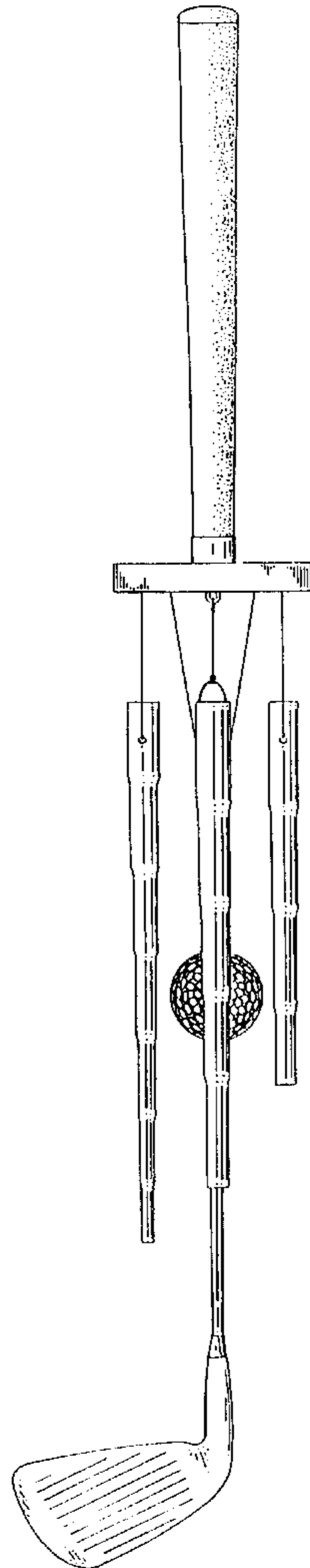


FIG.-1

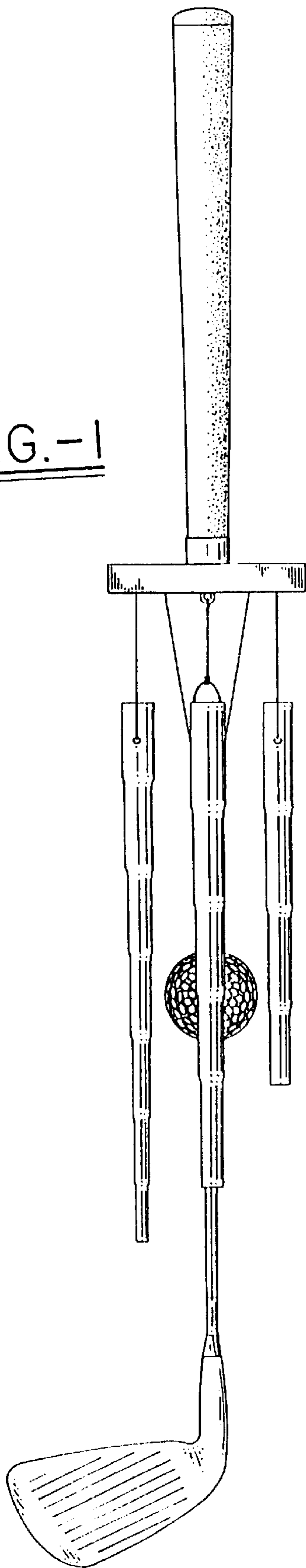


FIG.-2

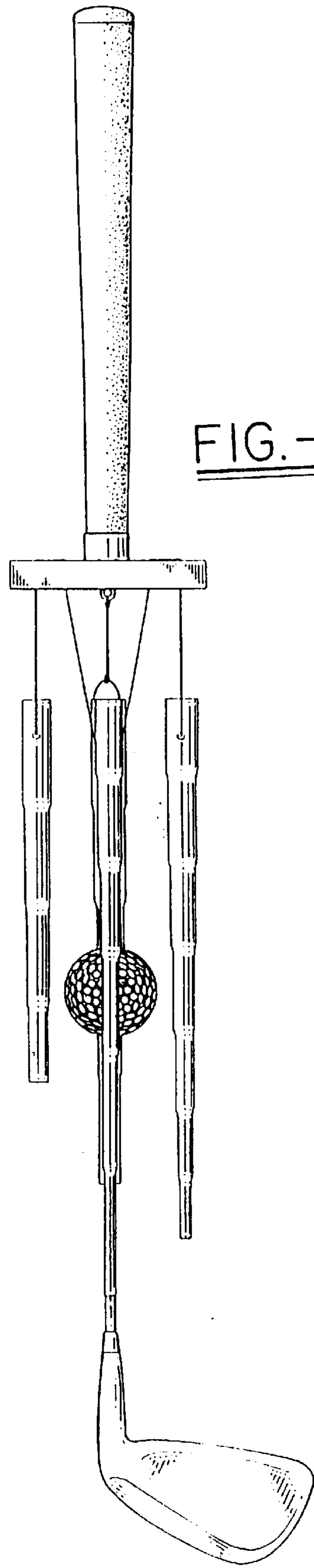


FIG.-4

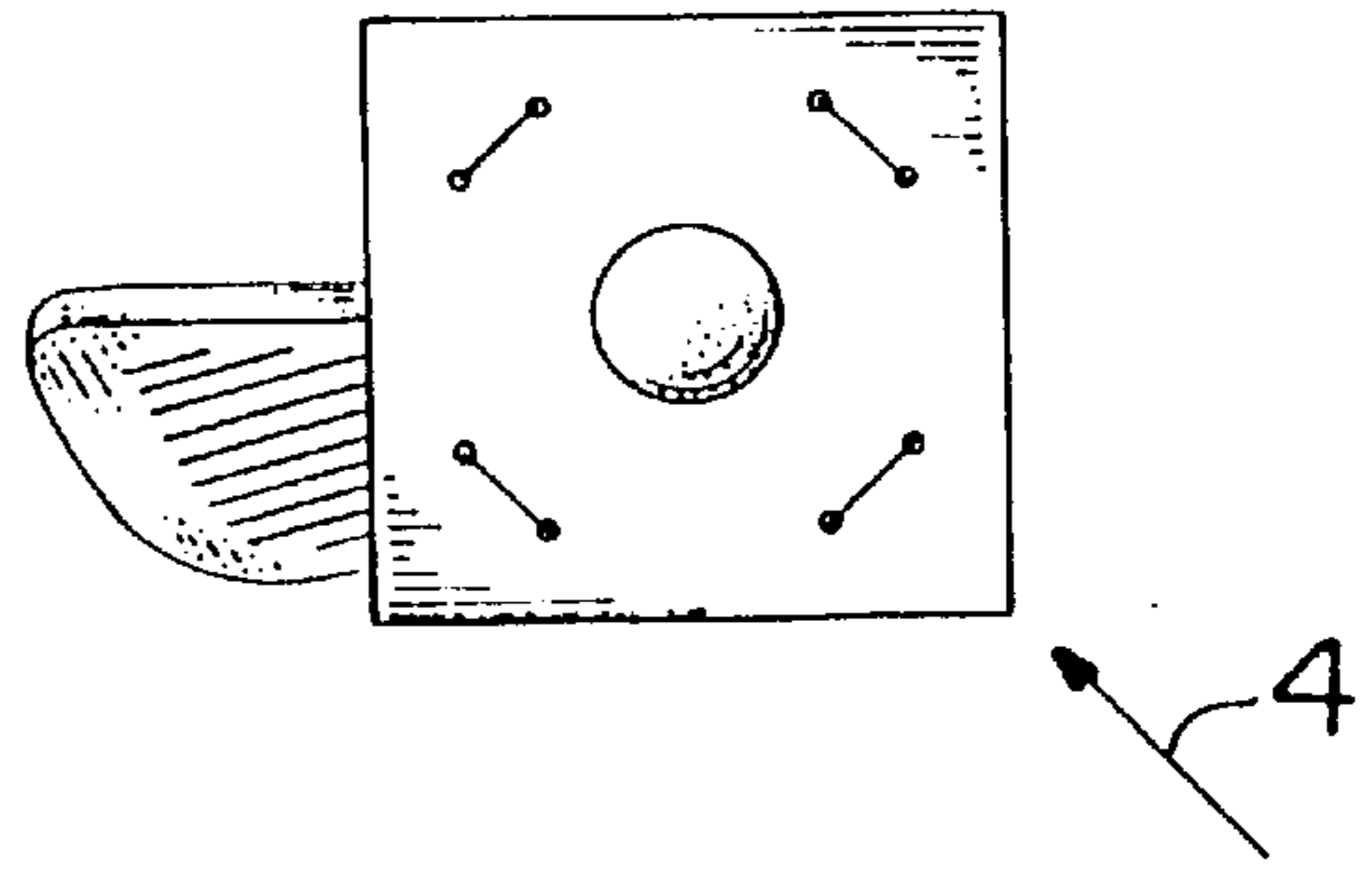
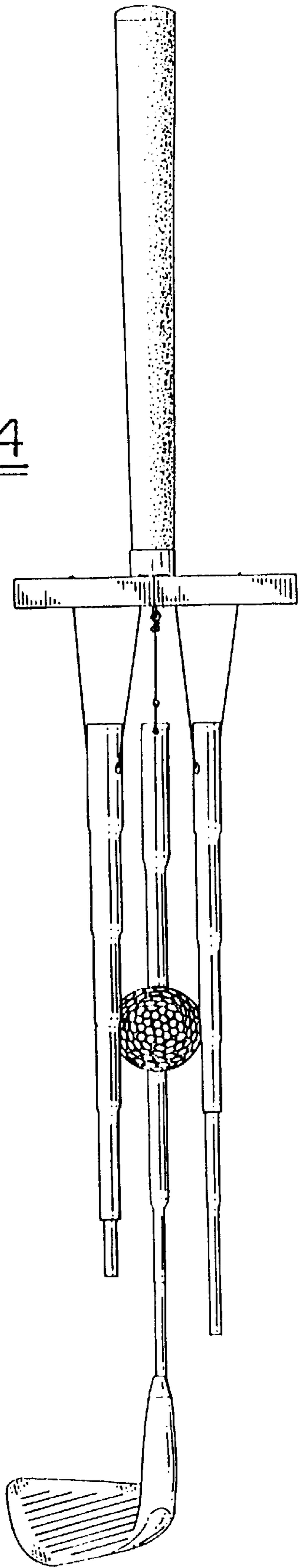


FIG.-3

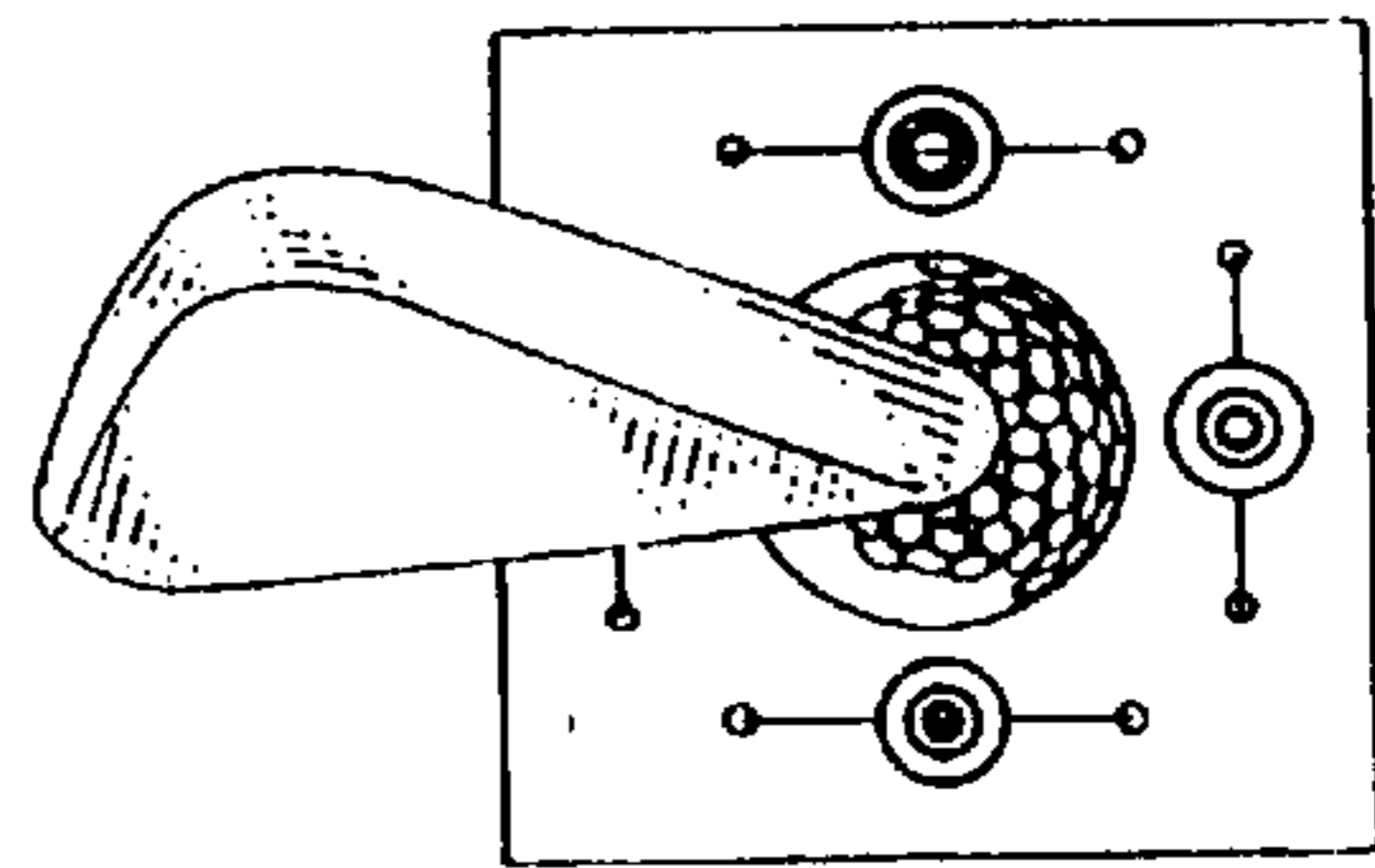


FIG.-5