



US00D419902S

United States Patent [19]
Watanabe

[11] **Patent Number: Des. 419,902**
[45] **Date of Patent: ** Feb. 1, 2000**

[54] **STROBE**

D. 349,968 8/1994 Elliott D10/114
D. 379,939 6/1997 Hurtak et al. D10/114
D. 390,309 2/1998 Bray D10/114

[75] Inventor: **Akira Watanabe**, Saitama, Japan

[73] Assignee: **Asahi Kogaku Kogyo Kabushiki Kaisha**, Tokyo, Japan

[**] Term: **14 Years**

Primary Examiner—Marcus A. Jackson
Attorney, Agent, or Firm—Sughrue, Mion, Zinn, Macpeak & Seas, PLLC

[21] Appl. No.: **29/101,711**

[57] **CLAIM**

[22] Filed: **Mar. 10, 1999**

The ornamental design for a strobe, as shown.

[30] **Foreign Application Priority Data**

DESCRIPTION

Sep. 24, 1998 [JP] Japan 10-27346

FIG. 1 is a perspective view of the top, front and right side of a strobe showing my new design;

[51] **LOC (7) Cl.** **10-05**

FIG. 2 is a front elevational view thereof;

[52] **U.S. Cl.** **D10/114**

FIG. 3 is a right side elevational view thereof;

[58] **Field of Search** D10/104, 109,
D10/114; 362/163, 164, 170, 171, 172,
176, 177, 178, 180, 181, 182, 188, 189,
190, 191, 192, 200-208; 1726/37-50

FIG. 4 is a top plan view thereof;

FIG. 5 is a rear elevational view thereof;

FIG. 6 is a left side elevational view thereof; and,

FIG. 7 is a bottom plan view thereof.

[56] **References Cited**

U.S. PATENT DOCUMENTS

D. 336,689 6/1993 Hung D10/114

1 Claim, 2 Drawing Sheets

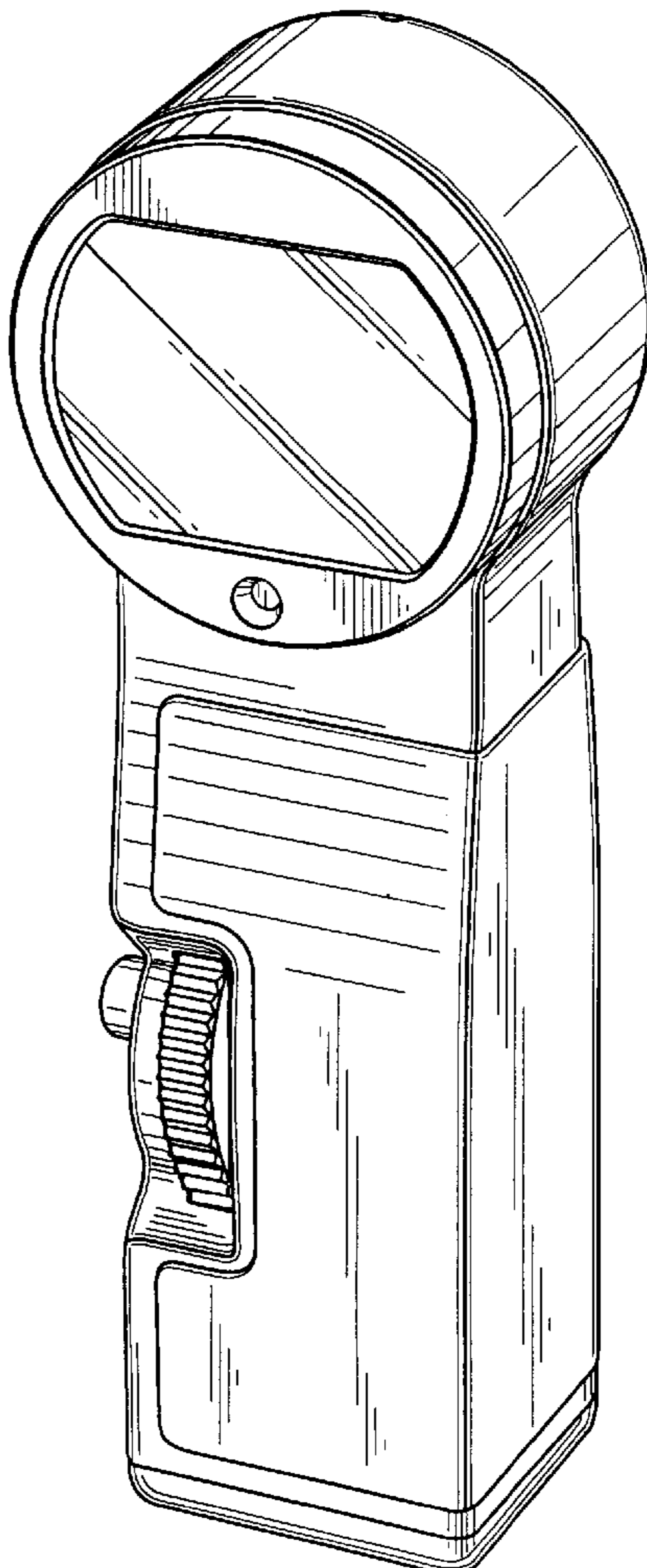


FIG. 3

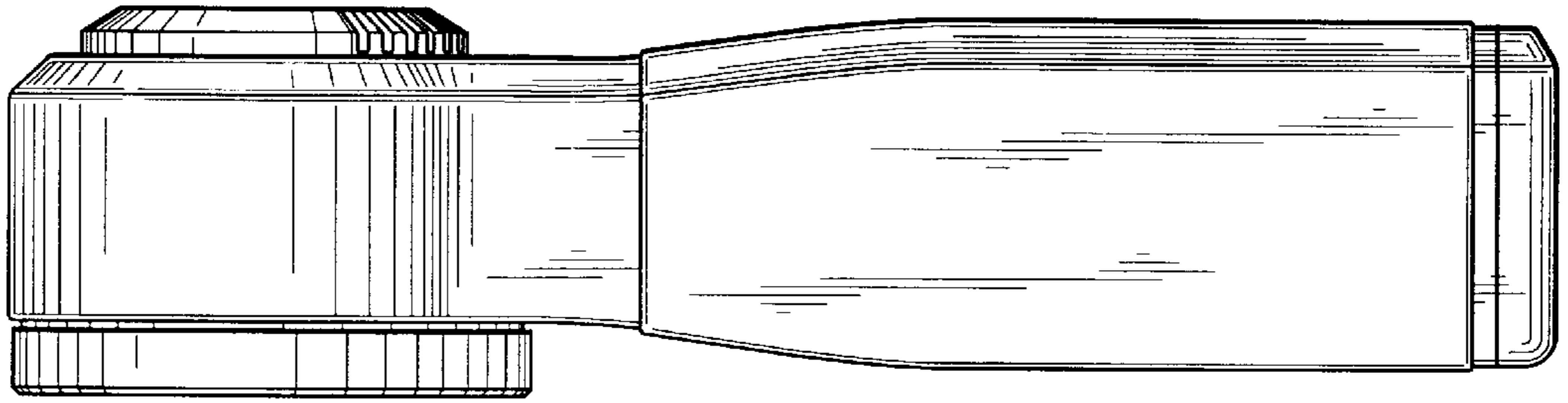


FIG. 2

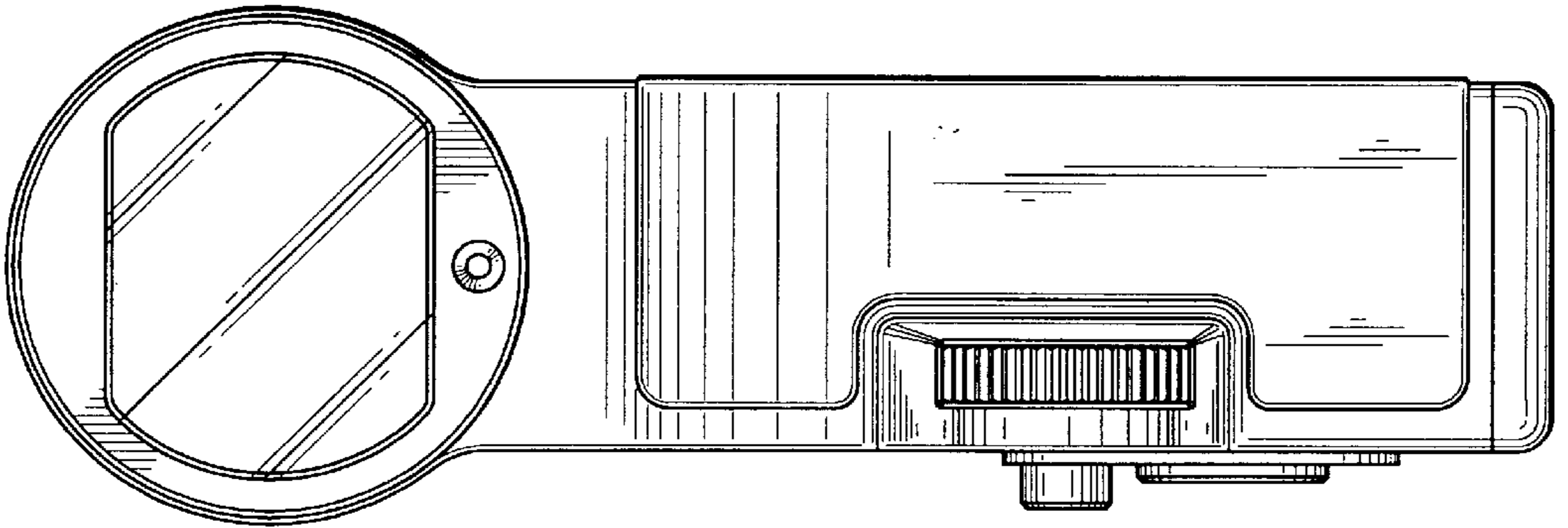


FIG. 1

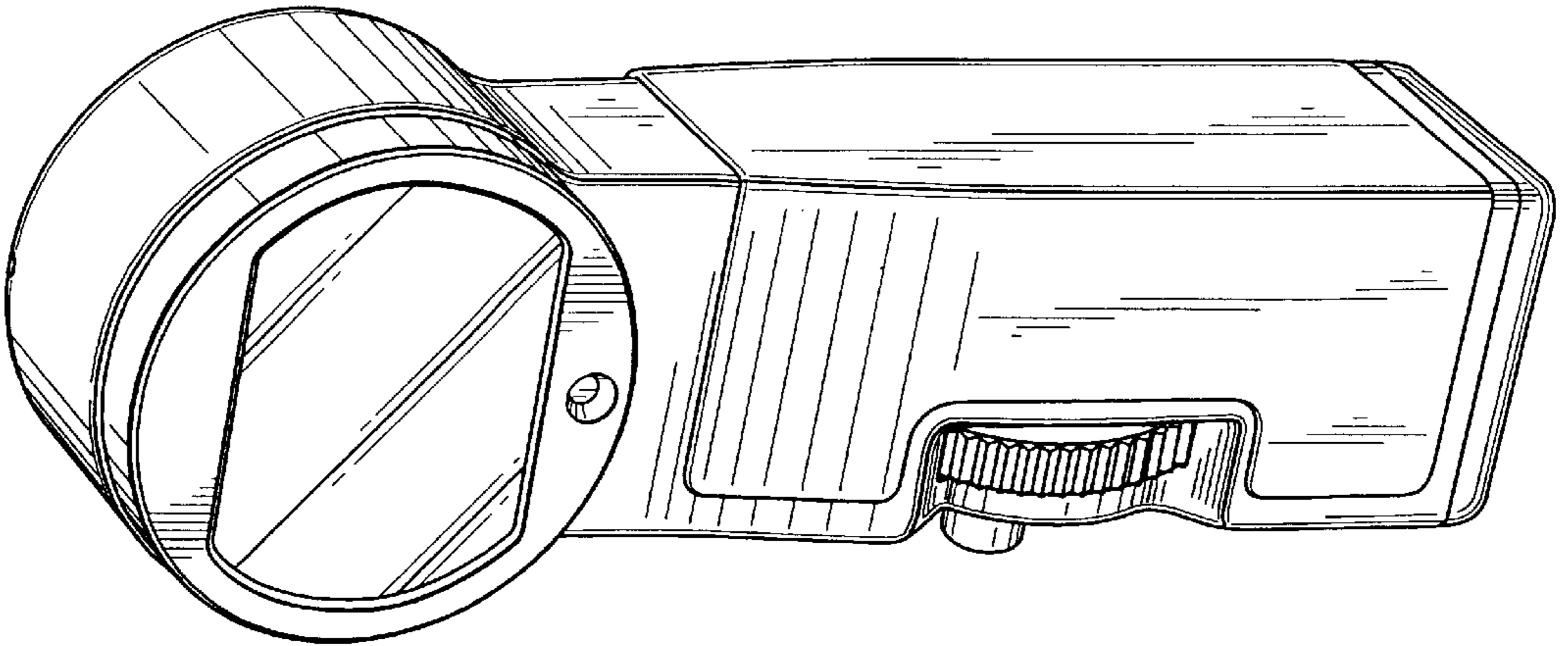


FIG. 6

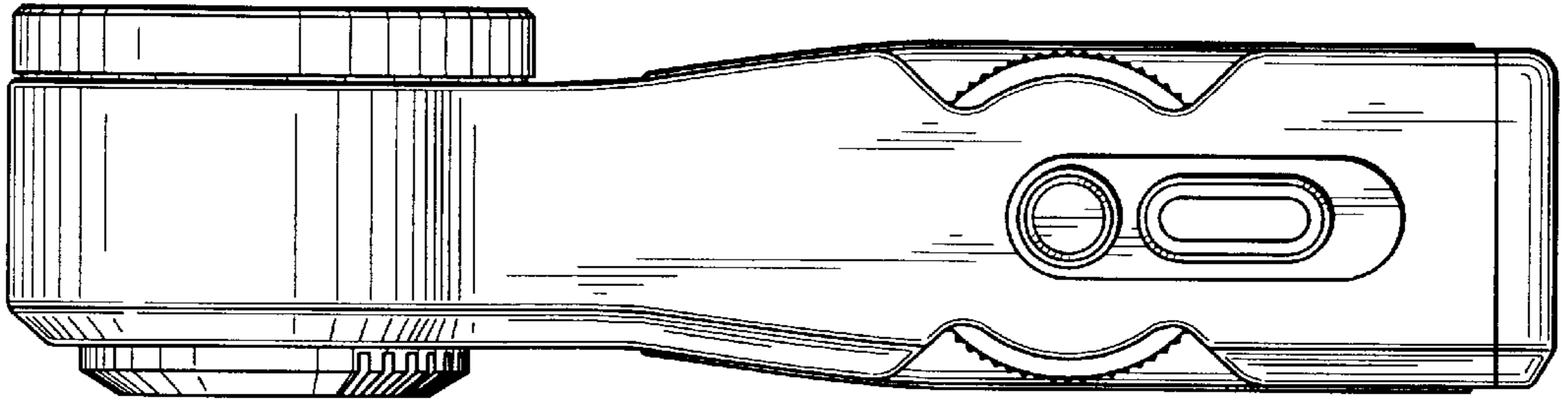


FIG. 5

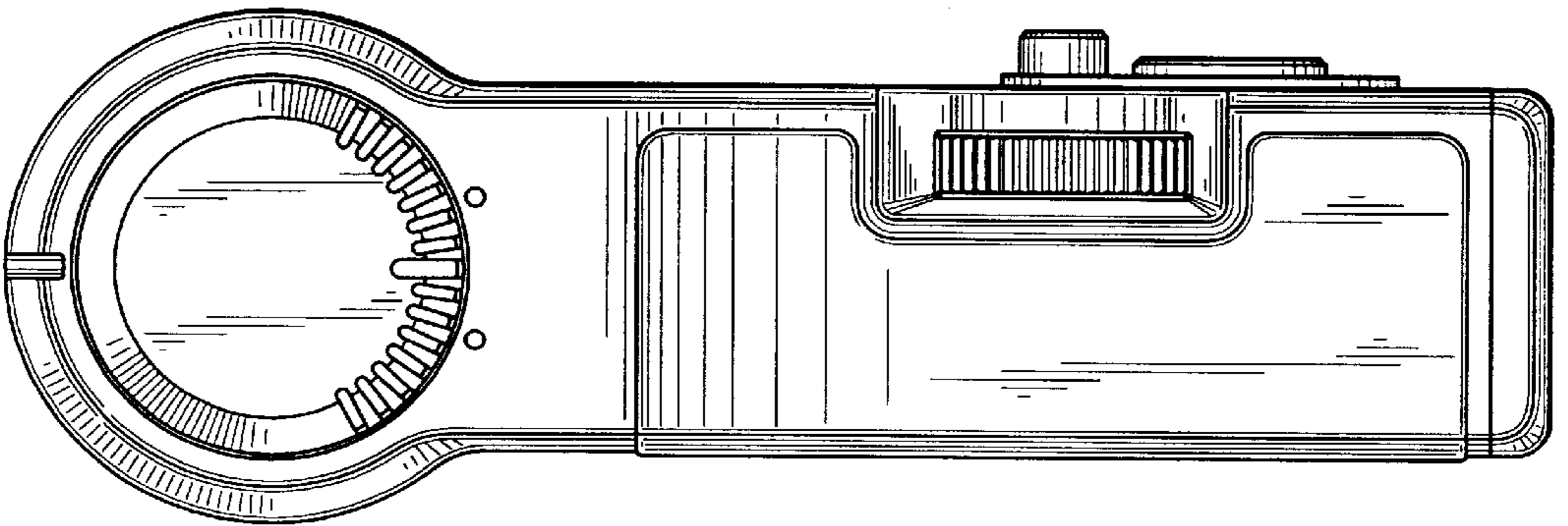


FIG. 4

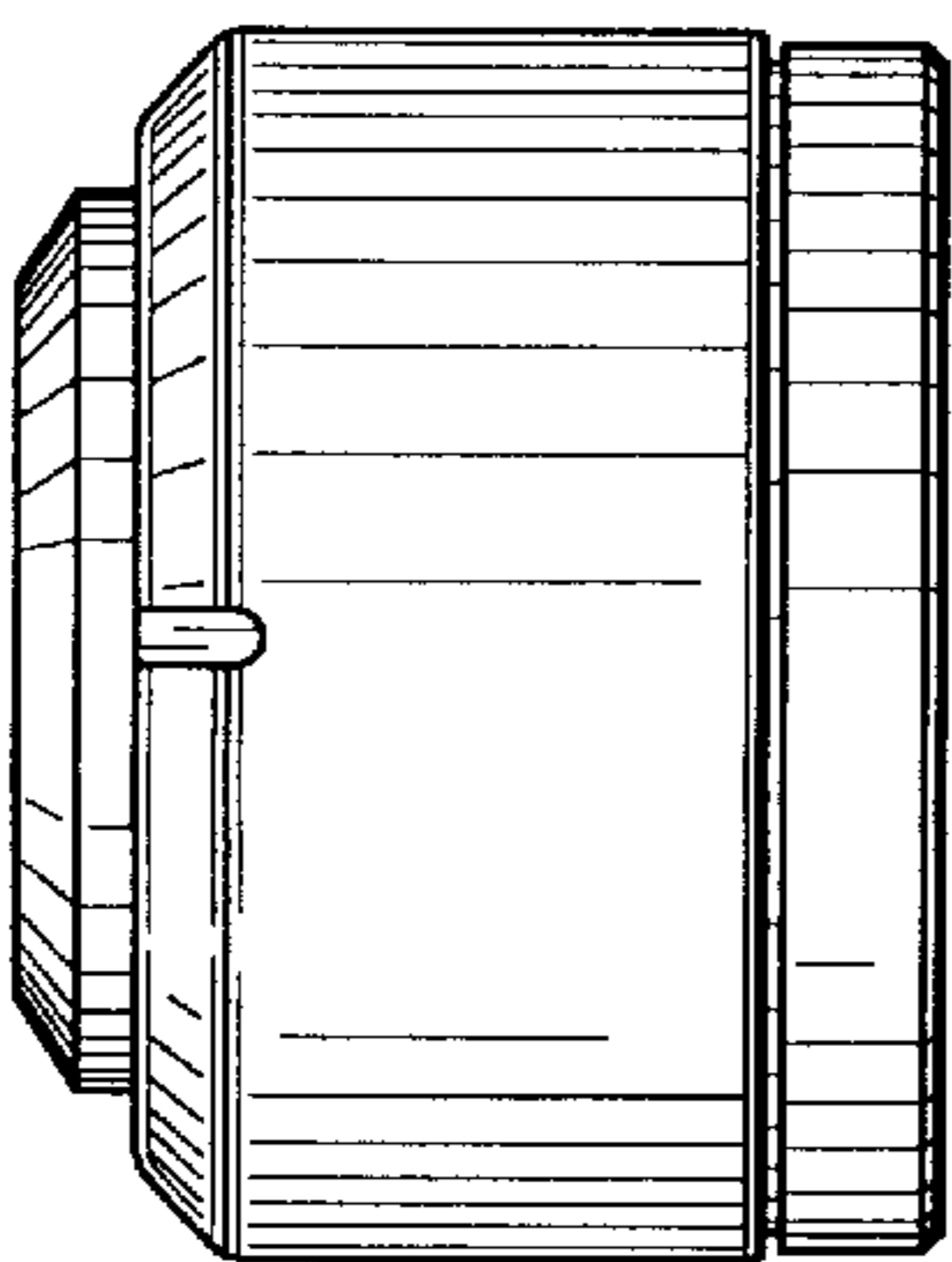


FIG. 7

