



US00D419899S

# United States Patent [19]

Levar et al.

[11] Patent Number: **Des. 419,899**

[45] Date of Patent: **\*\* Feb. 1, 2000**

[54] **CHILD MONITOR**

[76] Inventors: **Dion Levar; Mitchell Levar**, both of  
16370 Comanche, Victorville, Calif.  
92392

[\*\*] Term: **14 Years**

[21] Appl. No.: **29/098,146**

[22] Filed: **Dec. 23, 1998**

[51] **LOC (7) Cl.** ..... **10-05**

[52] **U.S. Cl.** ..... **D10/104**

[58] **Field of Search** ..... D10/104, 106,  
D10/116, 121; 340/540, 541, 545, 548,  
571, 572, 573

[56] **References Cited**

**U.S. PATENT DOCUMENTS**

D. 262,457	12/1981	Swales	.....	D14/95
D. 356,516	3/1995	Price	.....	D10/104
D. 358,107	5/1995	Bossen	.....	D10/104
D. 388,720	1/1998	Montgomery	.....	D10/104

D. 406,073	2/1999	Clemons	.....	D10/104
4,157,540	6/1979	Oros	.....	340/539
4,300,129	11/1981	Cataldo	.....	340/539
5,021,794	6/1991	Lawrence	.....	342/457
5,289,163	2/1994	Perez	.....	340/539
5,379,224	1/1995	Brown	.....	364/449

*Primary Examiner*—Marcus A. Jackson  
*Attorney, Agent, or Firm*—Goldstein & Canino

[57] **CLAIM**

The ornamental design for a child monitor, as shown and described.

**DESCRIPTION**

FIG. 1 is a diagrammatic perspective view of the child monitor.  
FIG. 2 is a front elevational view thereof.  
FIG. 3 is a rear elevational view thereof.  
FIG. 4 is a right side elevational view thereof.  
FIG. 5 is a left side elevational view thereof.  
FIG. 6 is a top plan view of the child monitor; and,  
FIG. 7 is a bottom plan view thereof.

**1 Claim, 3 Drawing Sheets**

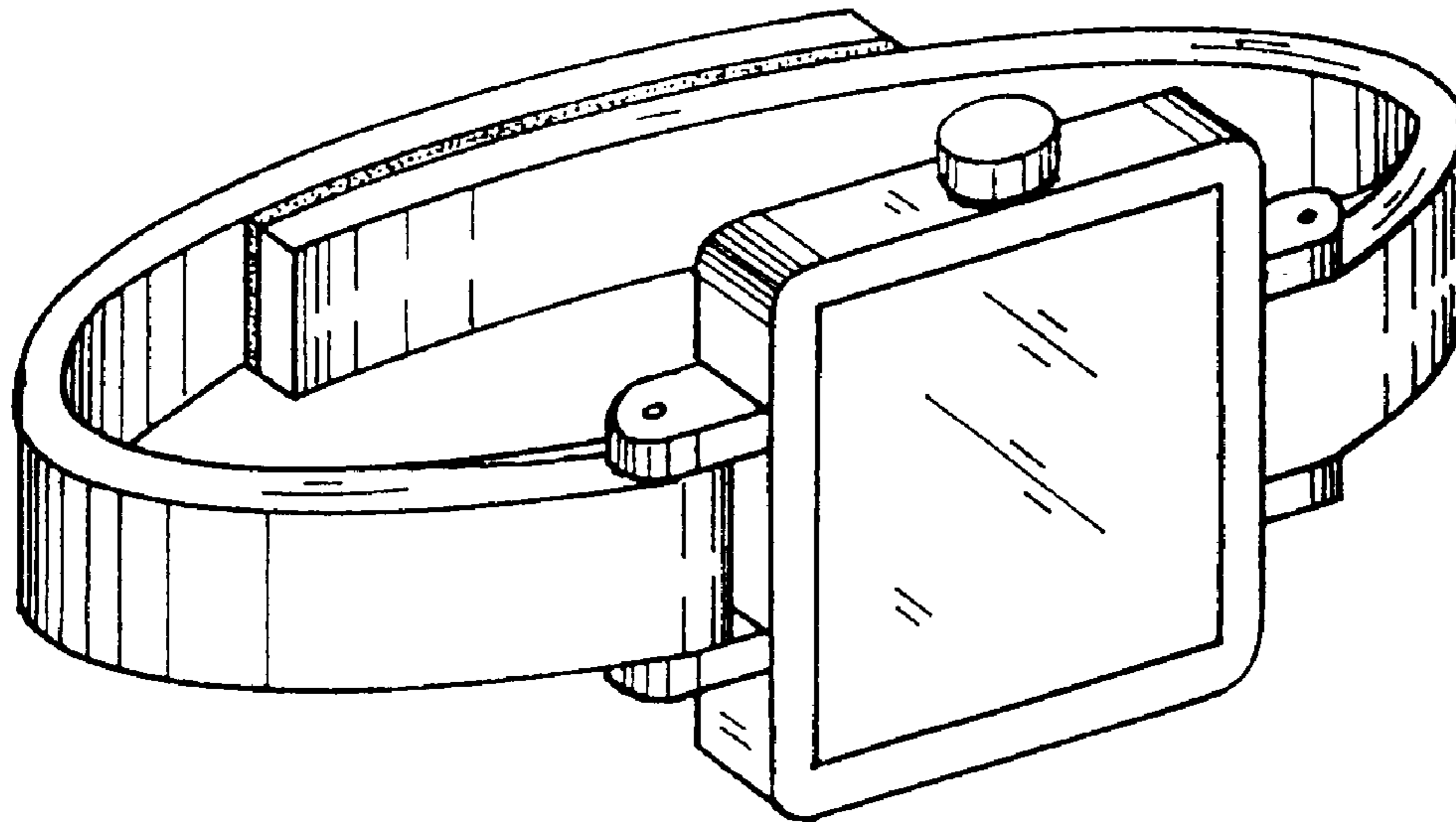


FIG. 1

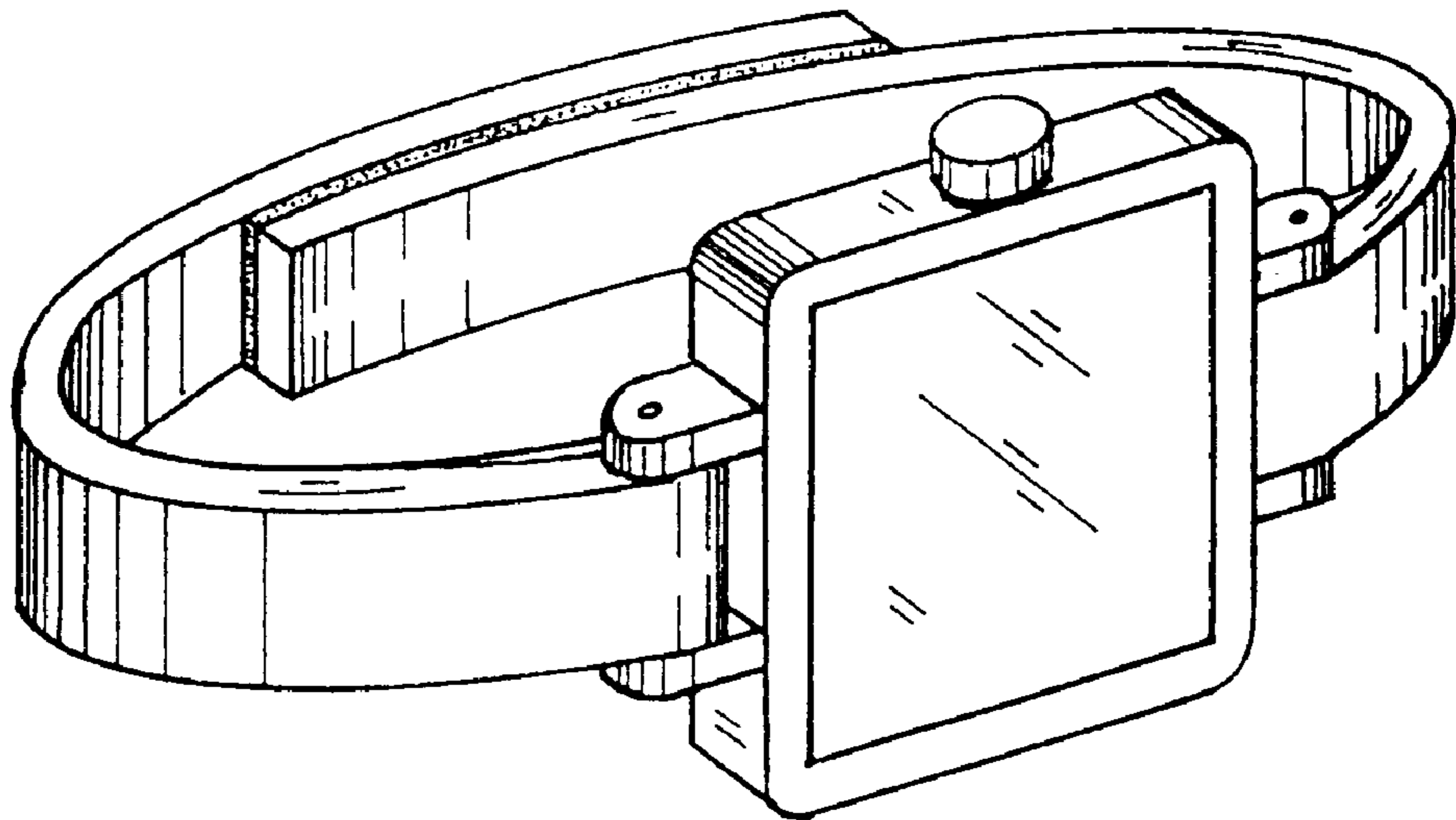


FIG. 2

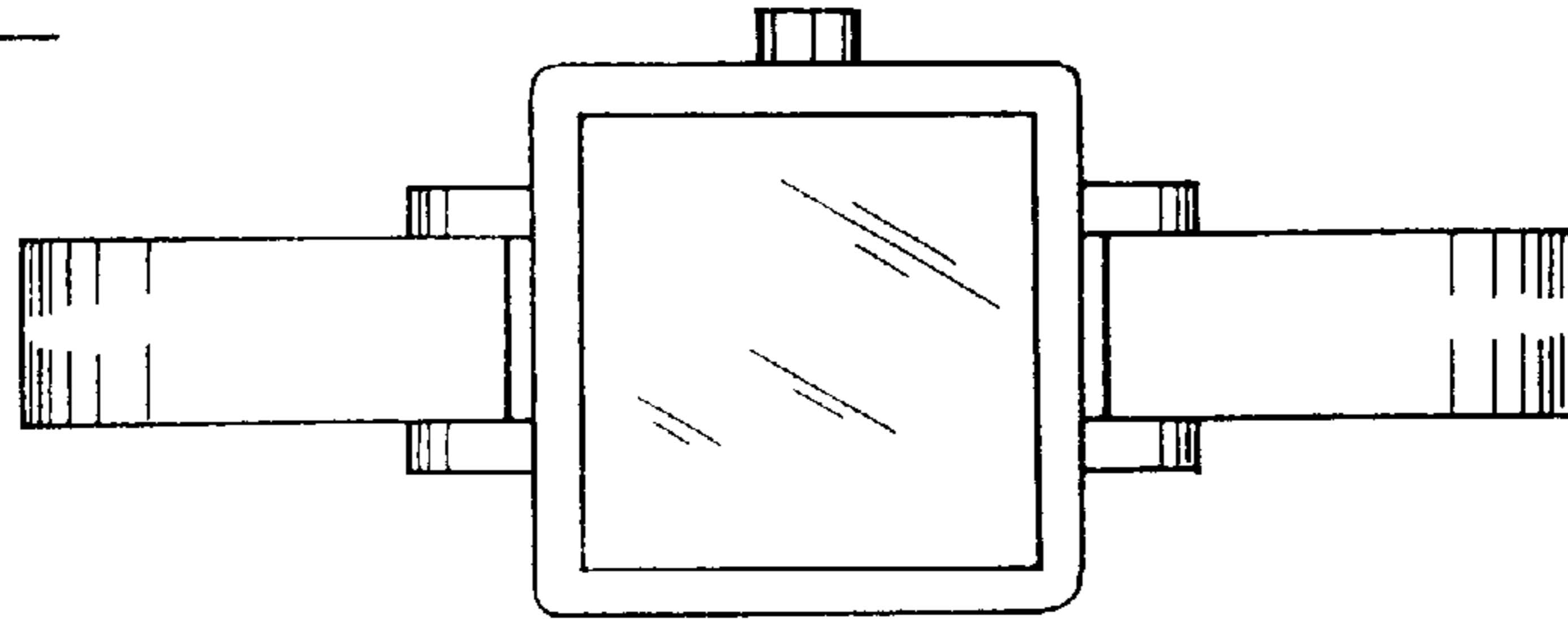


FIG. 3

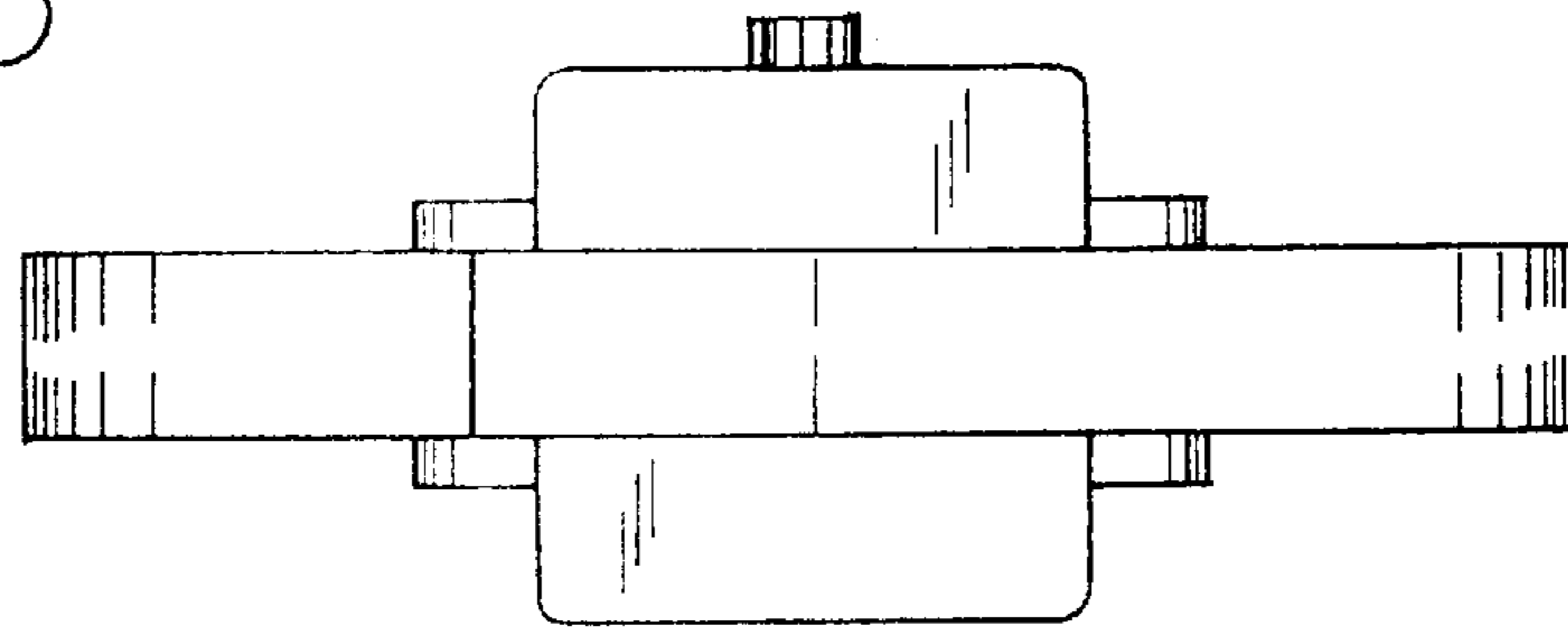


FIG. 4

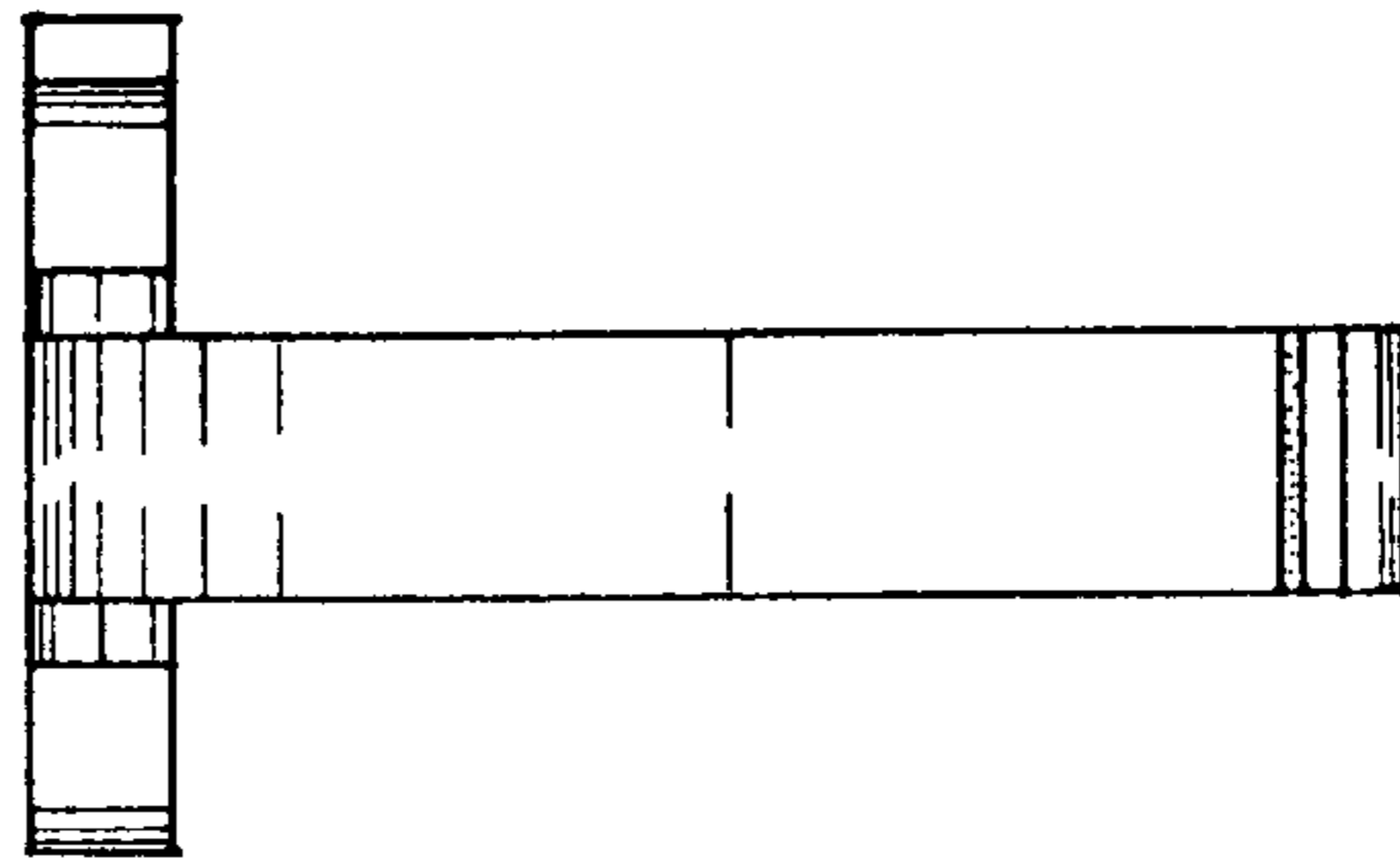
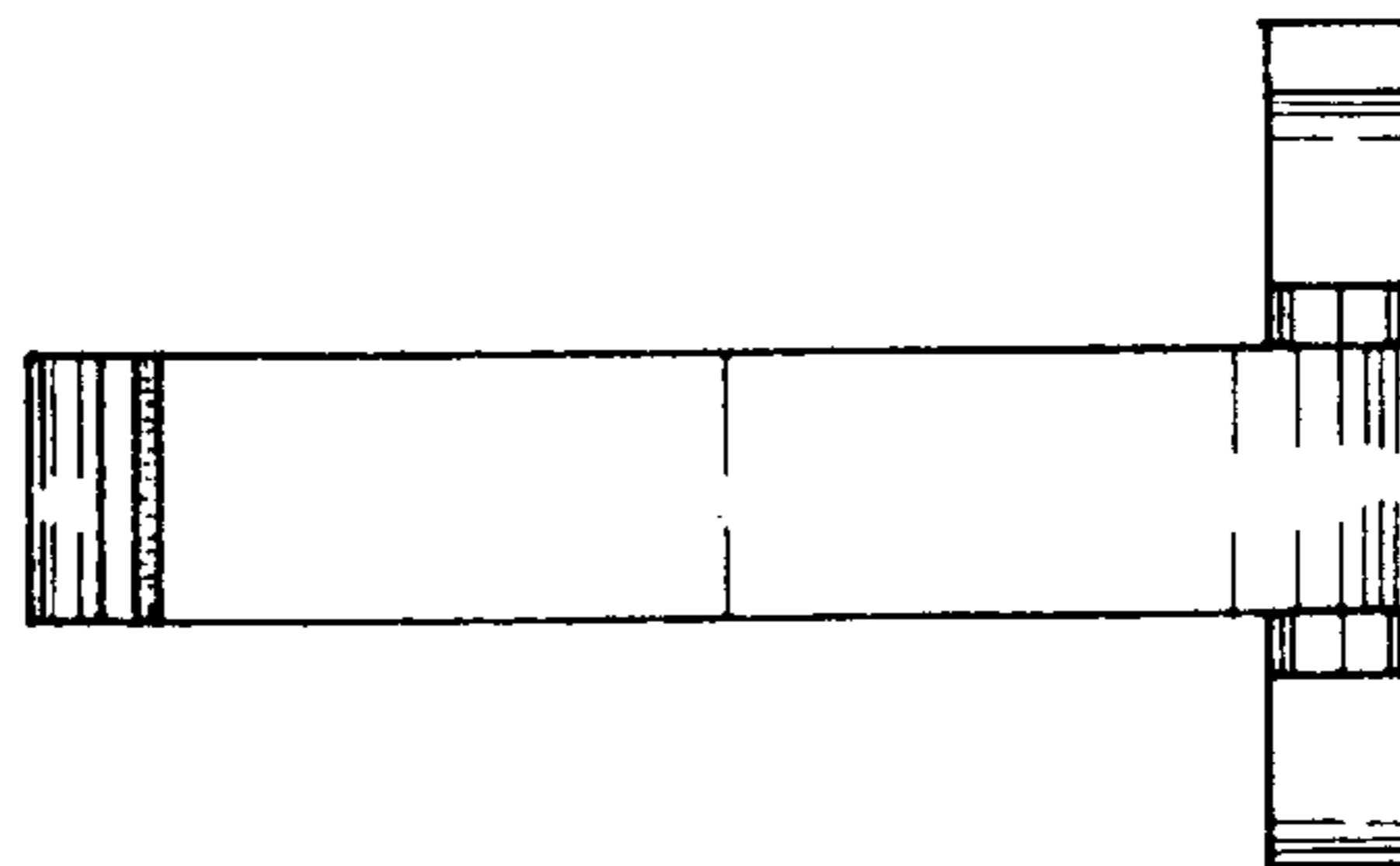


FIG. 5



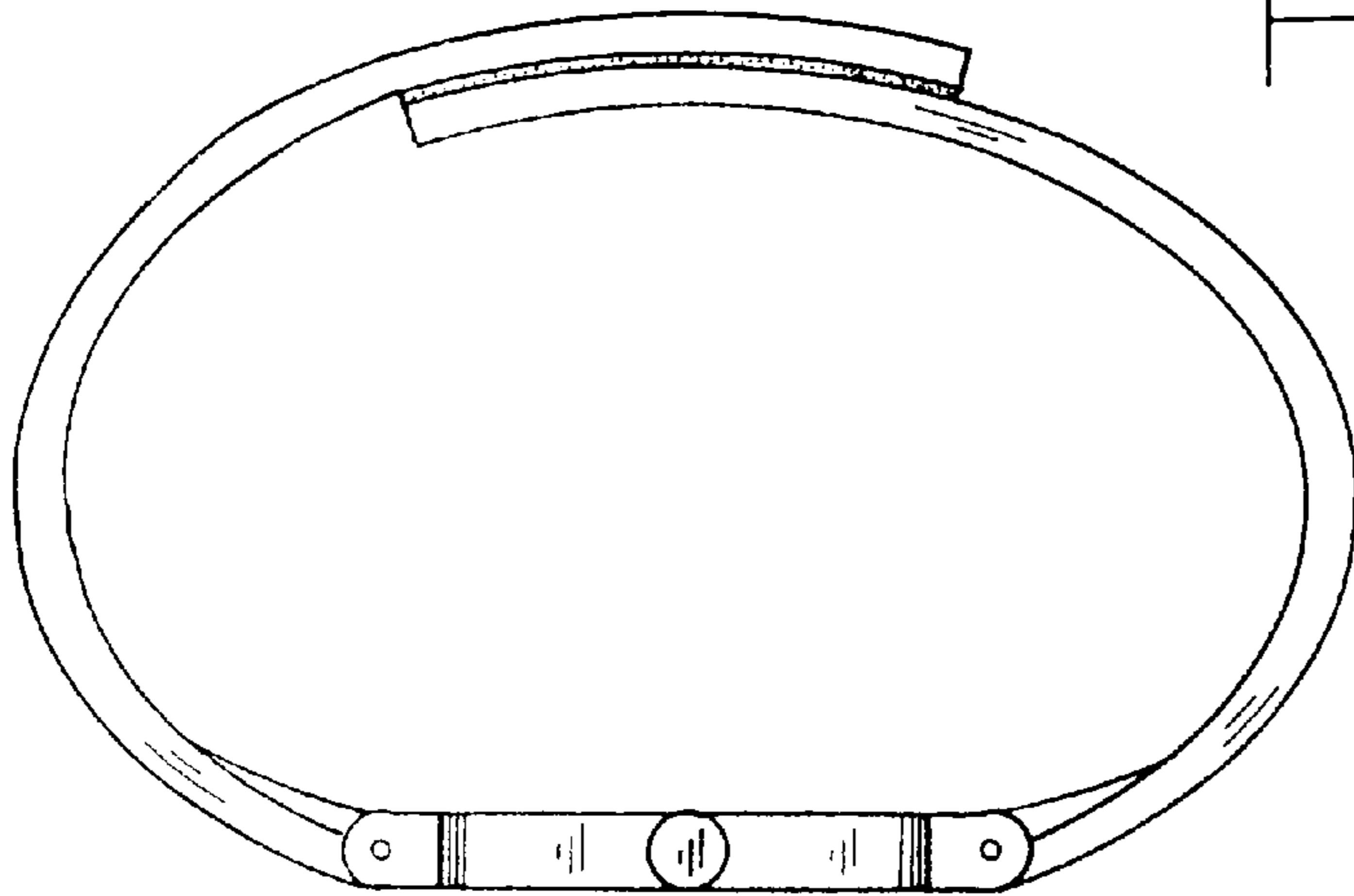


FIG. 6

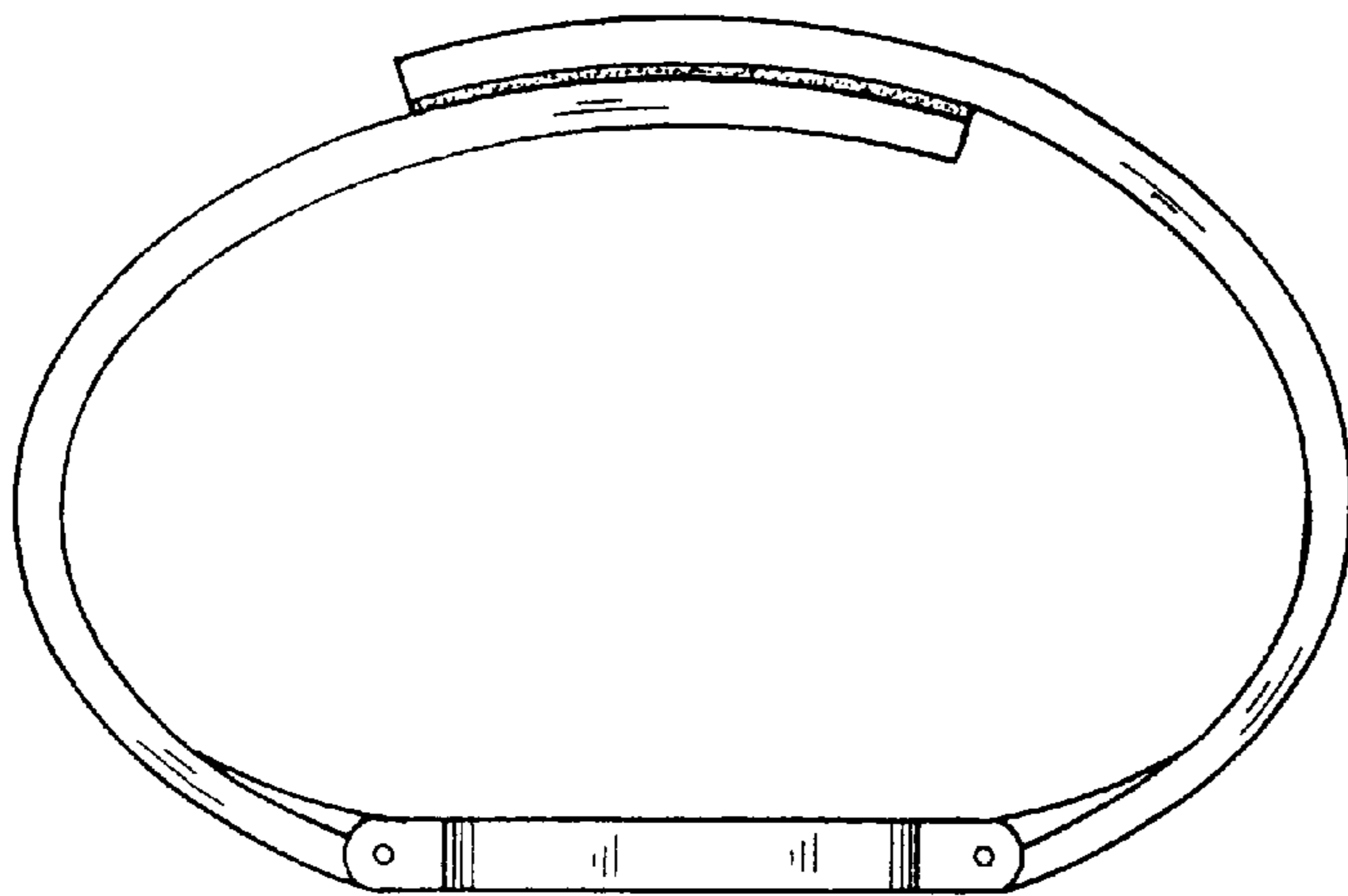


FIG. 7