



US00D419896S

United States Patent [19]

Arnold et al.

[11] Patent Number: Des. 419,896

[45] Date of Patent: ** Feb. 1, 2000

[54] SCALE

D. 304,693 11/1989 Slater D10/93

[75] Inventors: **Gregory J. Arnold**, Saint Johnsbury; **Michael P. Conner**, Danville; **James S. Havers**, Saint Johnsbury, all of Vt.; **Ben H. Graves**, Stilwell, Kans.; **David K. Crabbe**, West Millbury, Mass.; **David C. Elms**, Marlboro, Mass.; **Bonnie L. Crabbe**, West Millbury, Mass.

Primary Examiner—Antoine Duval Davis
Attorney, Agent, or Firm—William B. Kircher; Shook, Hardy & Bacon, LLP

[57] CLAIM

The ornamental design for a scale, as shown and described.

[73] Assignee: **Fairbanks Scales**, Kansas City, Mo.

DESCRIPTION

[**] Term: **14 Years**

FIG. 1 is a front elevational view of a scale showing our new design;

[21] Appl. No.: **29/098,577**

FIG. 2 is a side elevational view thereof;

[22] Filed: **Dec. 31, 1998**

FIG. 3 is a rear elevational view thereof;

[51] LOC (7) Cl. **10-04**

FIG. 4 is a top plan view thereof; and,

[52] U.S. Cl. **D10/93**

FIG. 5 is a bottom plan view thereof.

[58] Field of Search D10/93, 94; 177/238-245

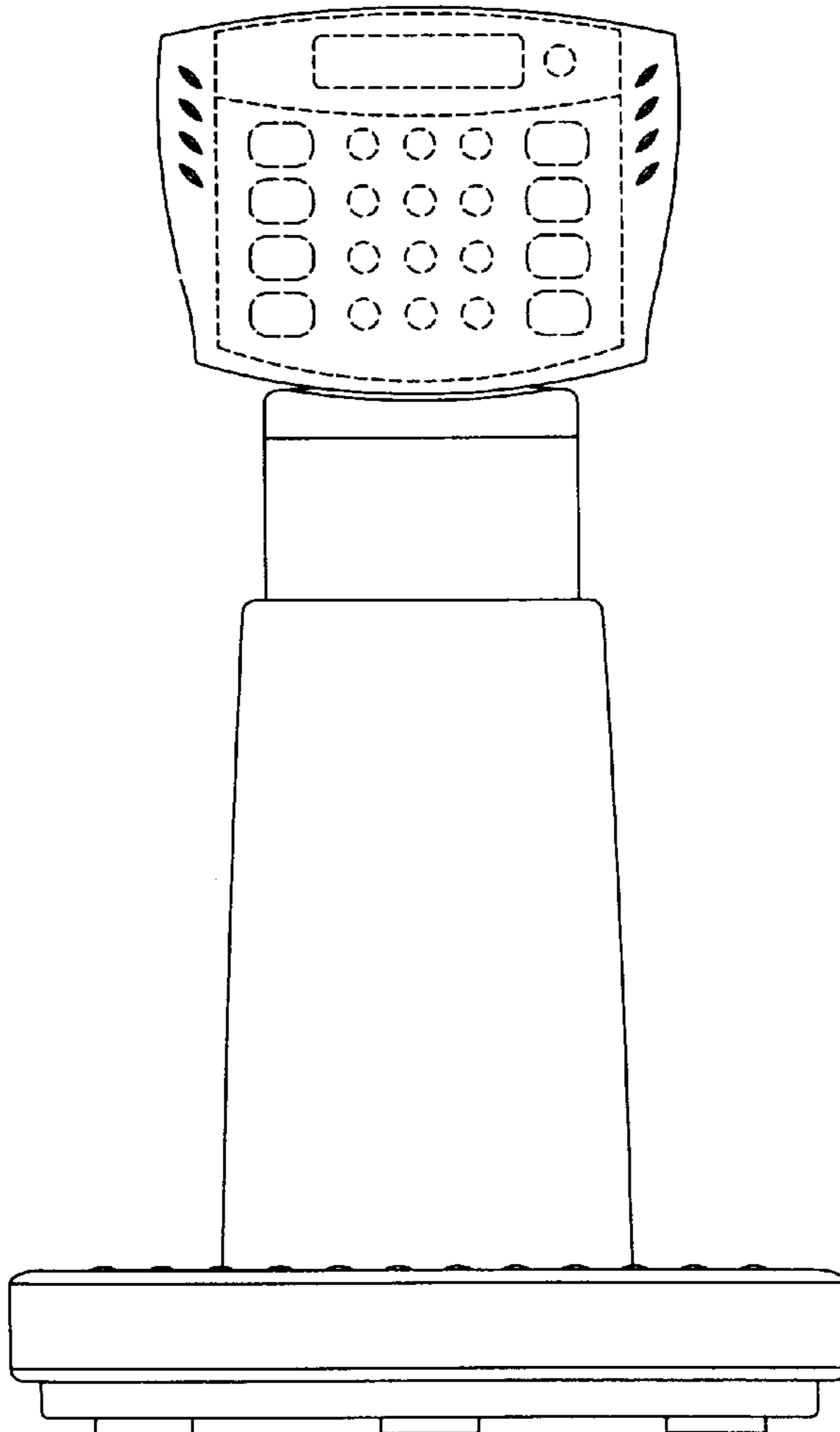
The broken lines are for purposes of illustration only and form no part of the claimed design.

[56] References Cited

U.S. PATENT DOCUMENTS

D. 281,403 11/1985 Zeigner et al. D10/93

1 Claim, 2 Drawing Sheets



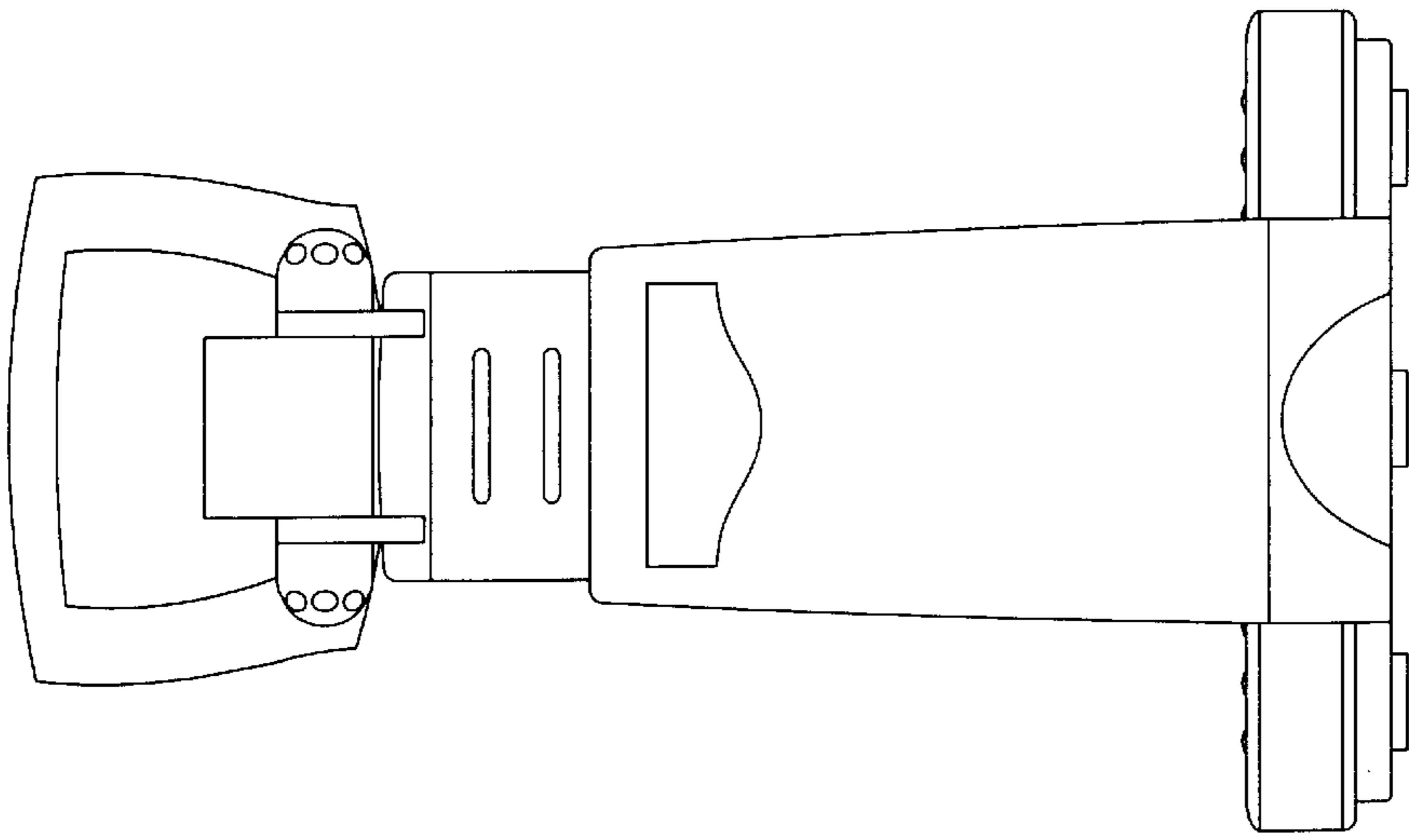


Fig. 3.

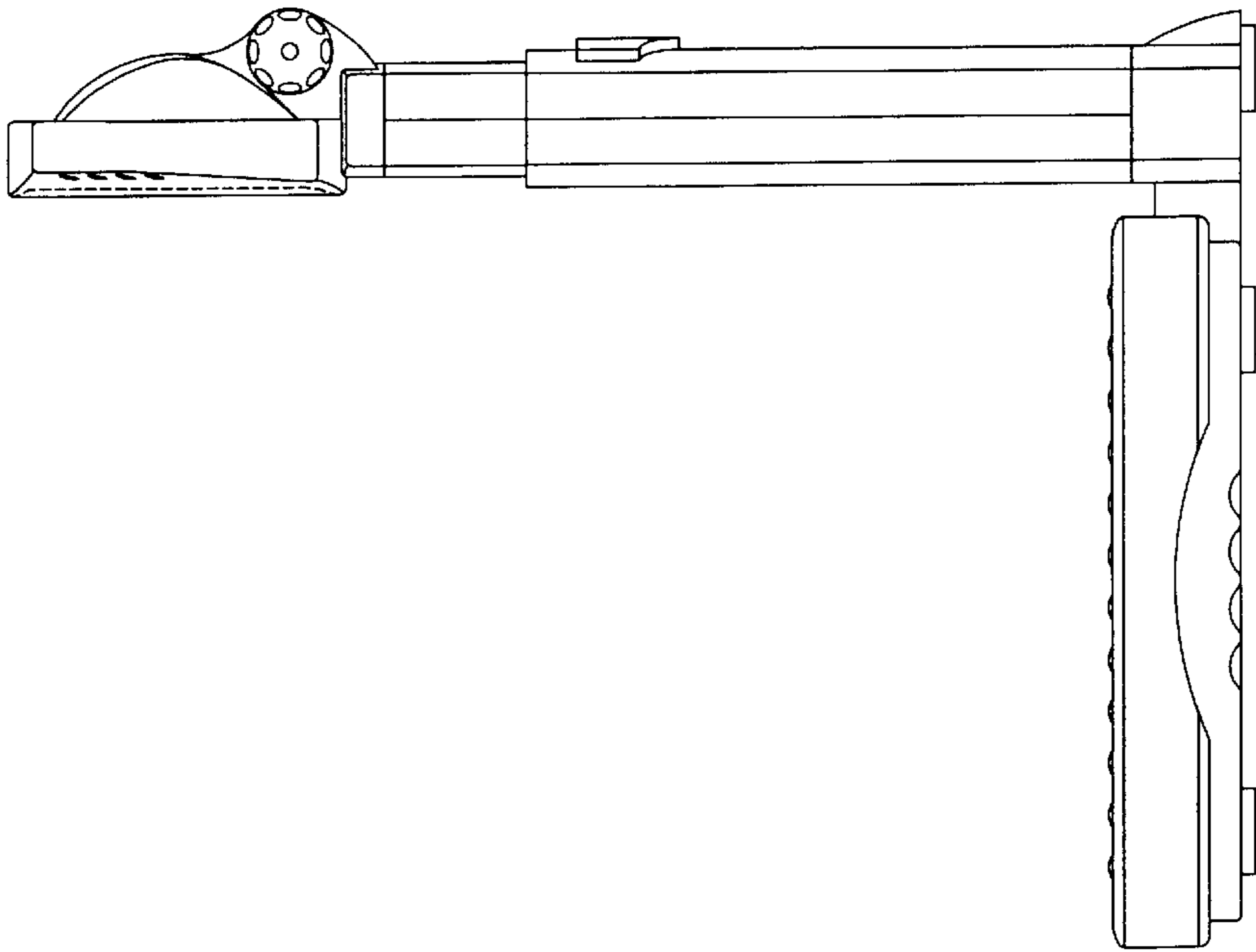


Fig. 2.

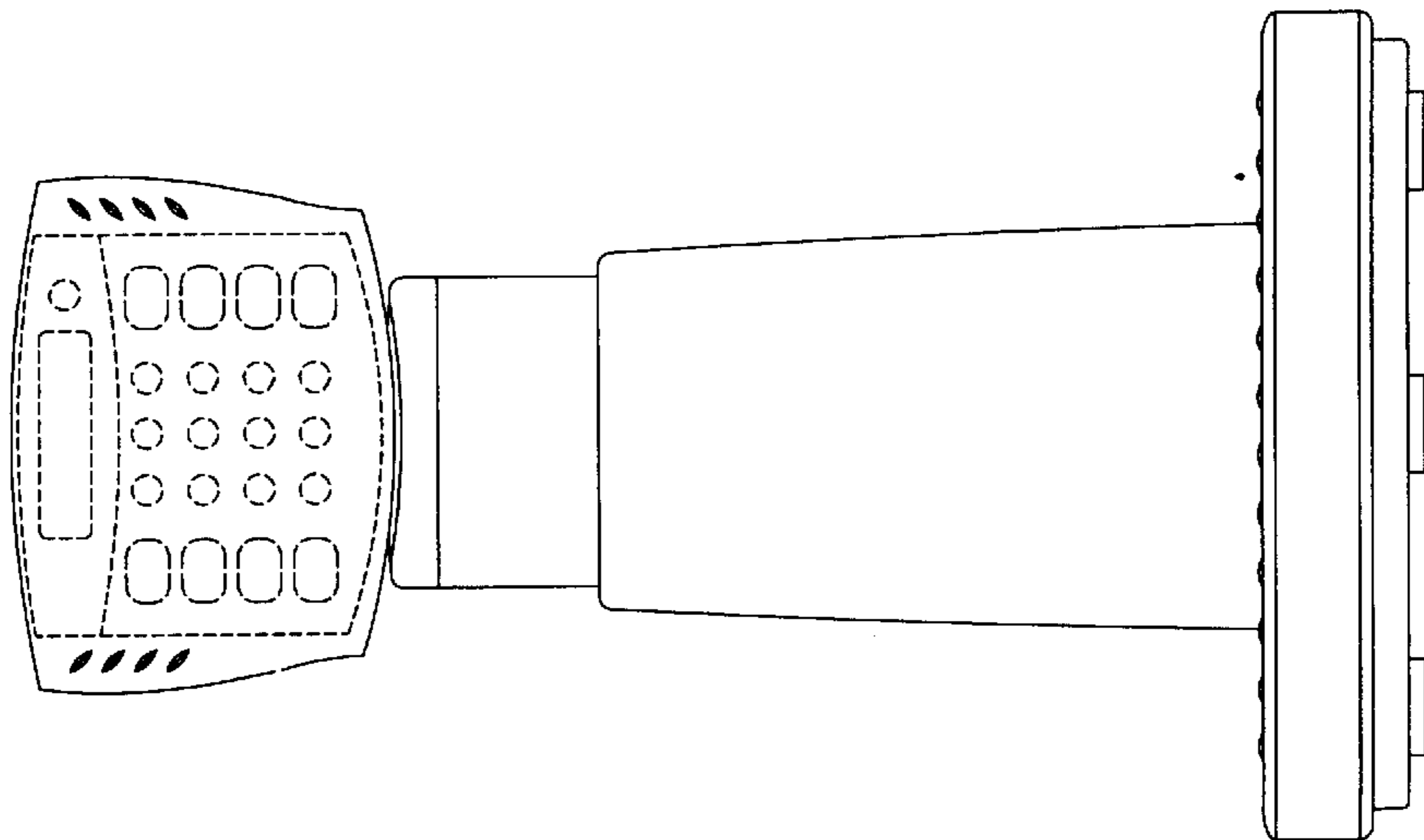


Fig. 1.

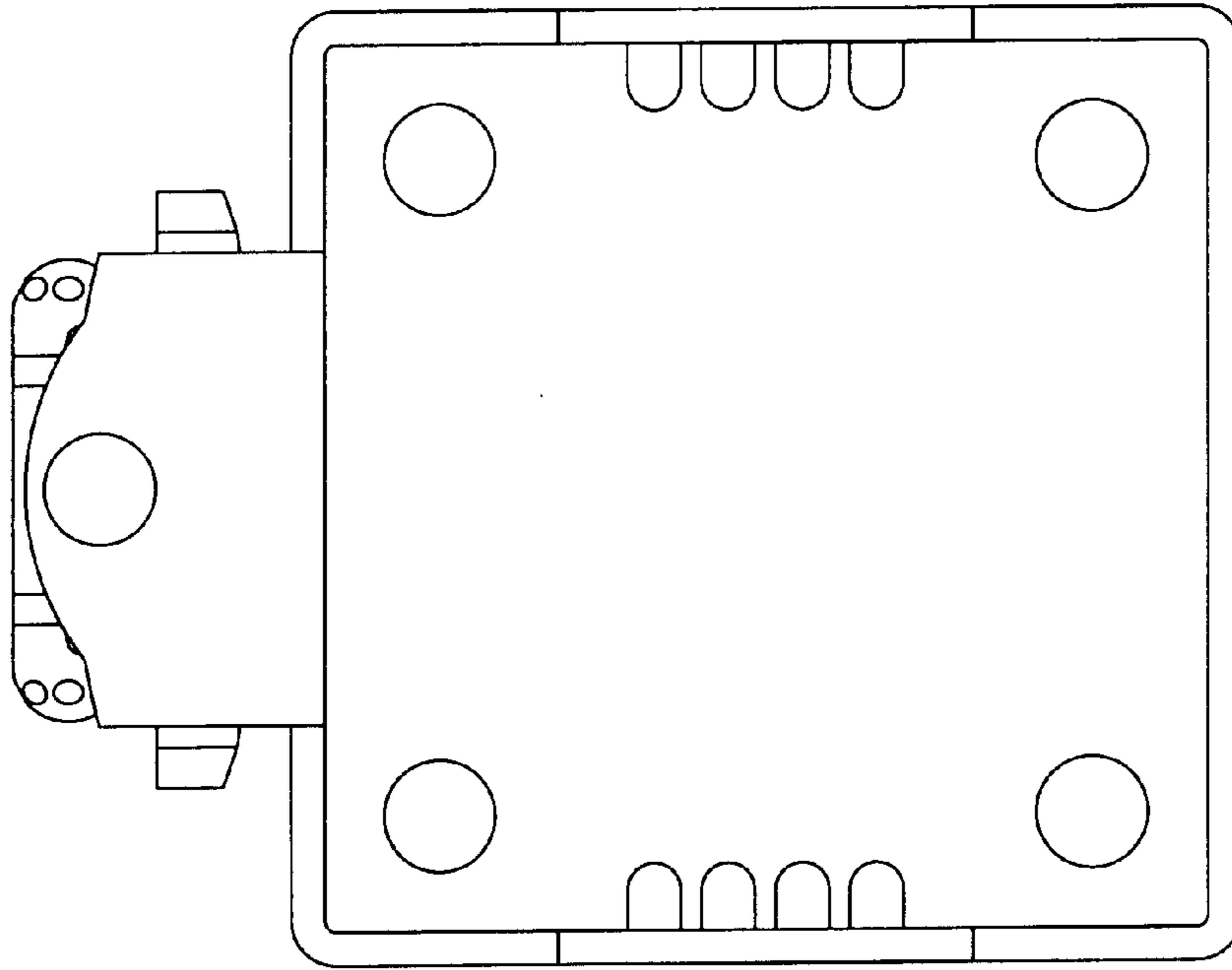


Fig. 5.

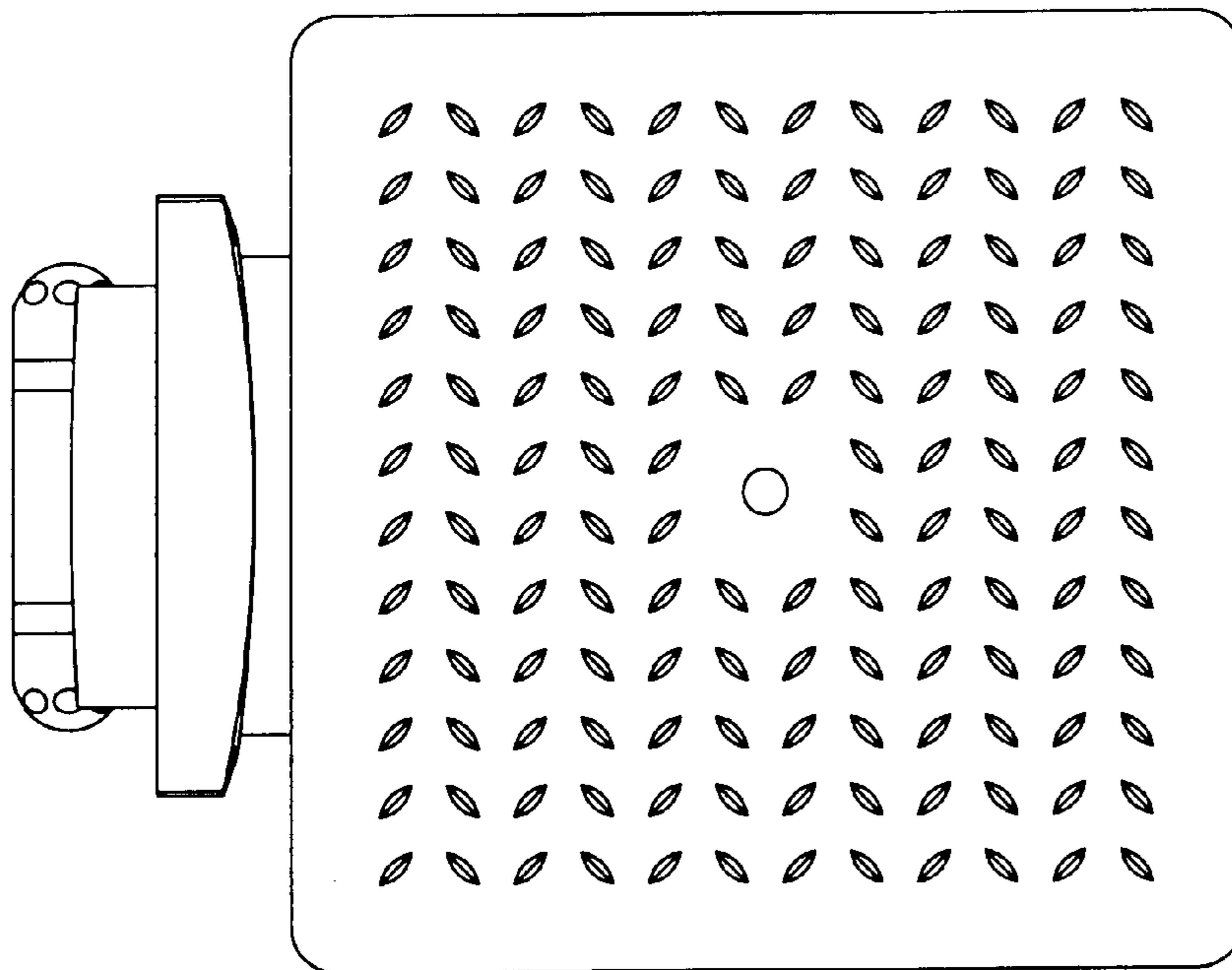


Fig. 4.