



US00D419885S

United States Patent [19]
Gonzalez C.

[11] **Patent Number: Des. 419,885**
[45] **Date of Patent: ** Feb. 1, 2000**

[54] **BOTTLE**

[75] Inventor: **Jose De Jesus Gonzalez C.**, Jalisco, Mexico

[73] Assignee: **Plasticos Irisagua, S.A. DE C.V.**, Col. Loma Bonita, Mexico

[**] Term: **14 Years**

[21] Appl. No.: **29/077,623**

[22] Filed: **Oct. 7, 1997**

[30] **Foreign Application Priority Data**

Apr. 7, 1997 [MX] Mexico 970349

[51] **LOC (7) Cl.** **09-01**

[52] **U.S. Cl.** **D9/531; D9/554; D9/557**

[58] **Field of Search** D9/500, 502-503, D9/507-508, 510, 516, 520, 522, 527-528, 530-531, 533, 546, 551, 554, 557, 559, 564, 569, 572-573; 215/370-375, 382-385, 396, 398; 220/771, 772

[56] **References Cited**

U.S. PATENT DOCUMENTS

- D. 194,068 11/1962 Pettingill D9/554
- D. 235,624 7/1975 Templin D9/502
- D. 243,928 4/1977 Frahm et al. D9/502

- D. 270,136 8/1983 Cox D9/554
- D. 326,051 5/1992 Frahm D9/502
- D. 326,608 6/1992 Frahm D9/502
- D. 326,609 6/1992 Stenger D9/557
- D. 333,098 2/1993 Hestehave et al. D9/531
- D. 334,345 3/1993 Wright D9/557
- D. 339,067 9/1993 Rokus D9/531
- D. 355,367 2/1995 Rokus D9/531
- D. 360,830 8/1995 Hestehavae et al. D9/520
- D. 361,039 8/1995 Rokus D9/531
- D. 361,720 8/1995 Rokus et al. D9/520
- D. 365,757 1/1996 Stenger D9/502
- D. 401,859 12/1998 Rokus D9/551
- 4,143,784 3/1979 Frahm et al. 215/382
- 5,133,469 7/1992 Mehta et al. 215/383
- 5,148,930 9/1992 Ota et al. 215/370

Primary Examiner—James Gandy
Assistant Examiner—Carol Rademaker
Attorney, Agent, or Firm—Loeb & Loeb, LLP

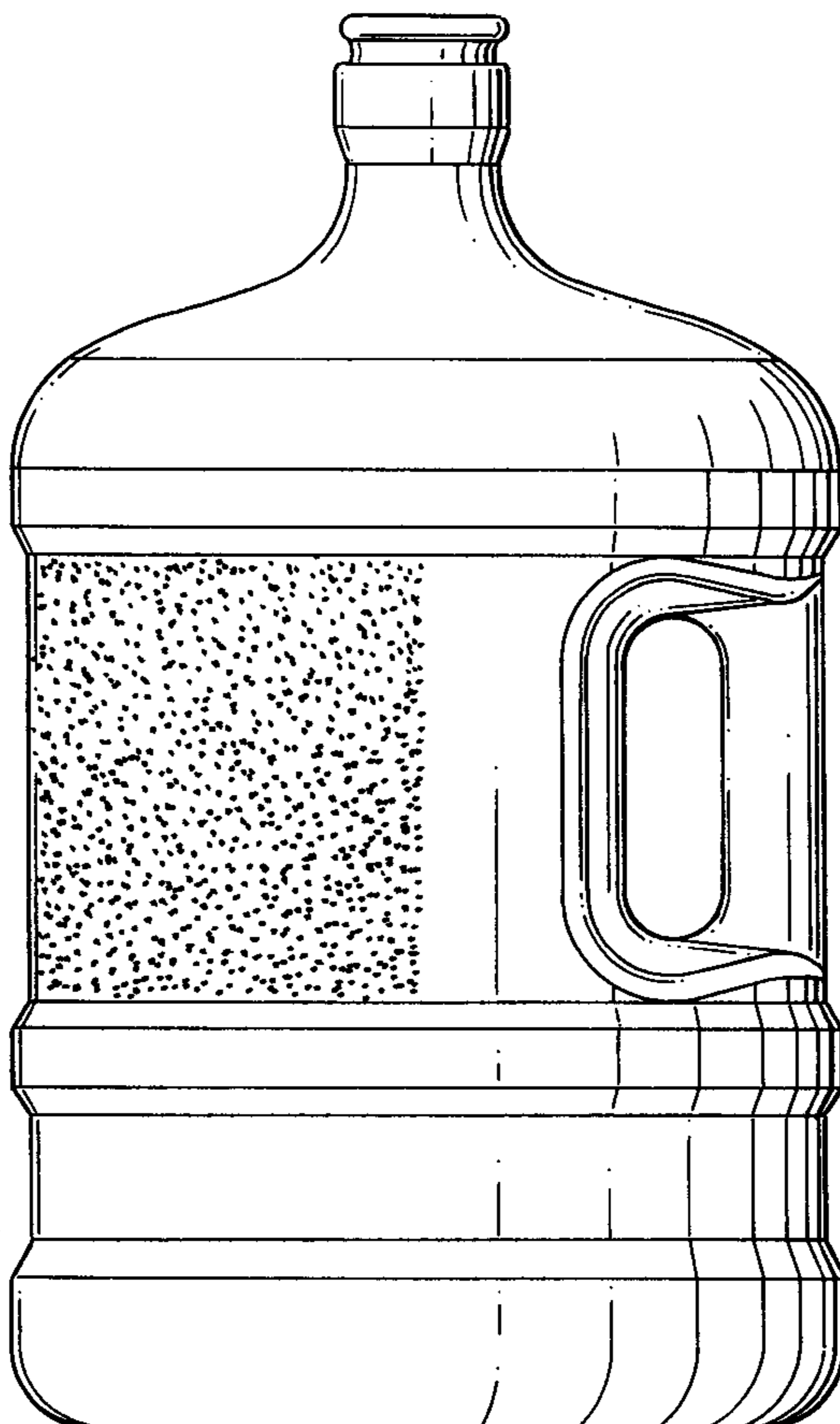
[57] **CLAIM**

The ornamental design for a bottle, as shown and described.

DESCRIPTION

FIG. 1 is a side elevational view of the bottle, the opposite side being a mirror image;
FIG. 2 is a rear elevational view thereof; and,
FIG. 3 is a top plan view thereof.

1 Claim, 3 Drawing Sheets



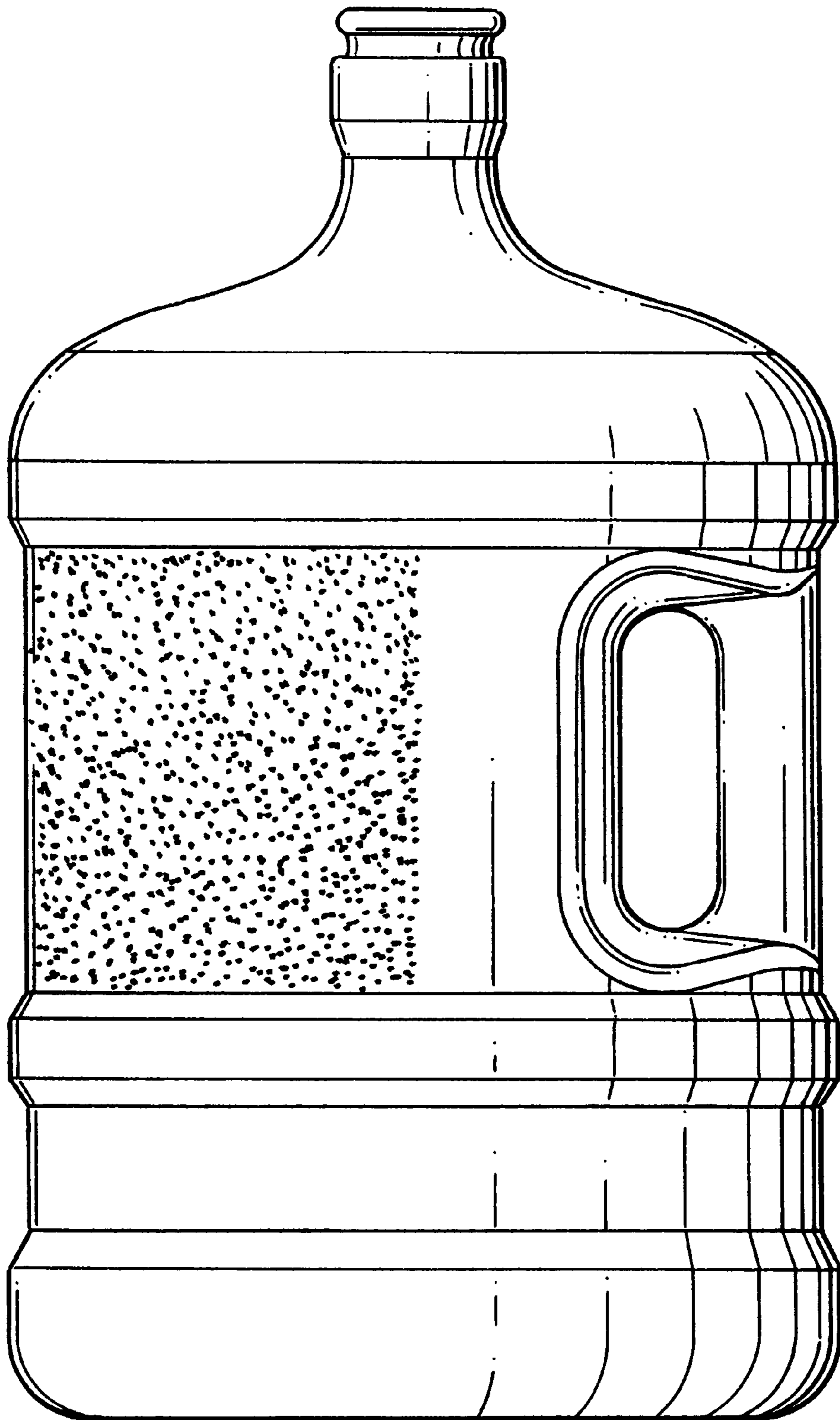


FIG. 1

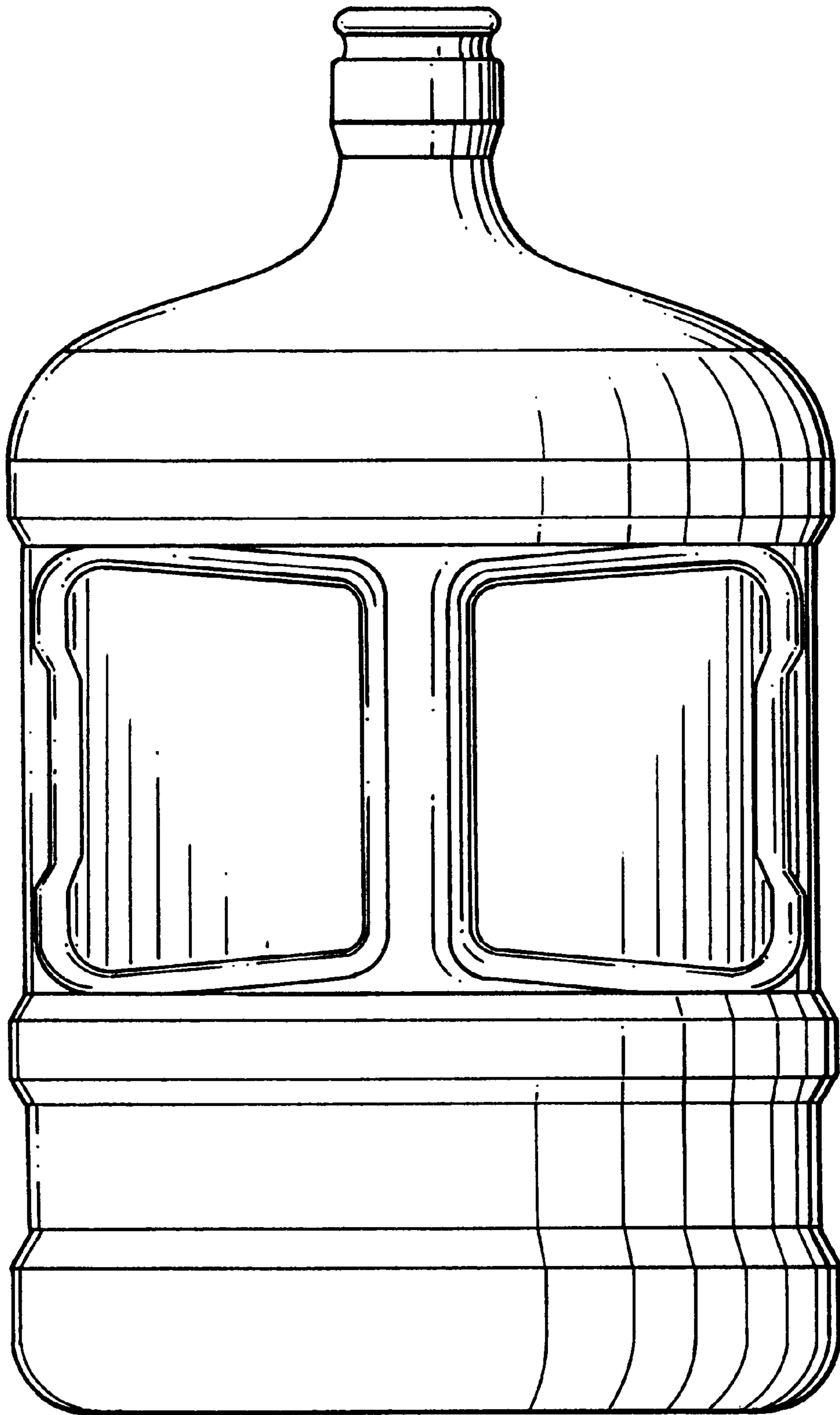


FIG. 2

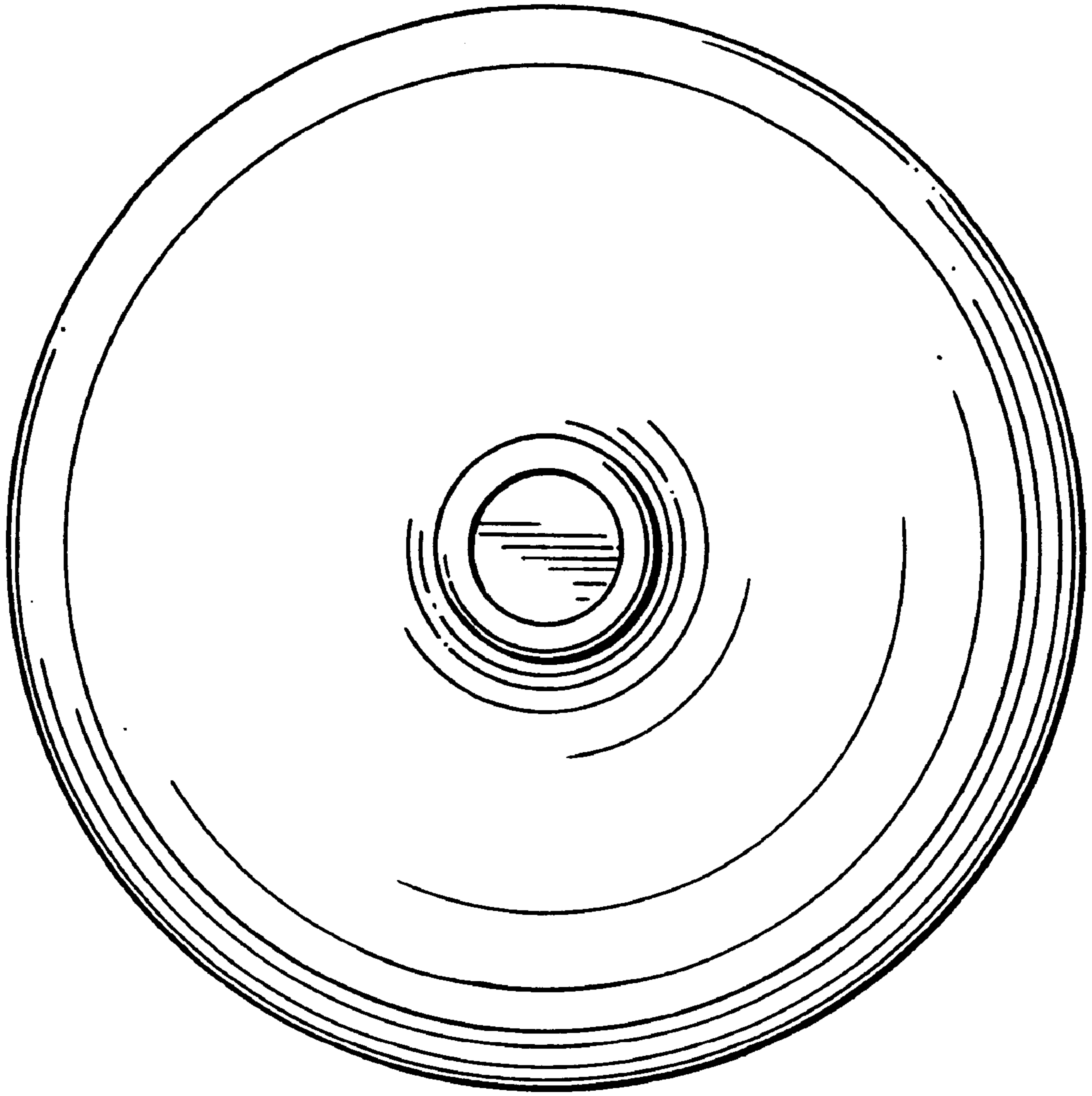


FIG. 3