



US00D419879S

**United States Patent** [19]  
**Robbins, III**

[11] **Patent Number: Des. 419,879**  
[45] **Date of Patent: \*\* Feb. 1, 2000**

[54] **DISPENSING CAP**  
[76] Inventor: **Edward S. Robbins, III**, 2802 E.  
Avalon Ave., Muscle Shoals, Ala. 35662

5,509,582 4/1996 Robbins, III .  
5,547,109 8/1996 Robbins, III ..... 222/158  
5,632,417 5/1997 Robbins, III et al. .... 222/158  
5,667,106 9/1997 Robbins, III ..... 222/158  
5,871,116 2/1999 Picchetti ..... 220/501

[\*\*] Term: **14 Years**

*Primary Examiner*—Cathron B. Matta  
*Attorney, Agent, or Firm*—Nixon & Vanderhye P.C.

[21] Appl. No.: **29/083,172**

[22] Filed: **Jan. 30, 1998**

[57] **CLAIM**

[51] **LOC (7) Cl.** ..... **09-07**

The ornamental design for a “dispensing cap,” as shown and described.

[52] **U.S. Cl.** ..... **D9/449**

[58] **Field of Search** ..... D9/435, 436, 447,  
D9/449, 450, 523; D7/300.1, 589, 591,  
612; 215/236; 220/501, 521, 522; 222/142.1,  
142.6, 142.7, 158, 159, 442, 448, 454,  
456, 556

**DESCRIPTION**

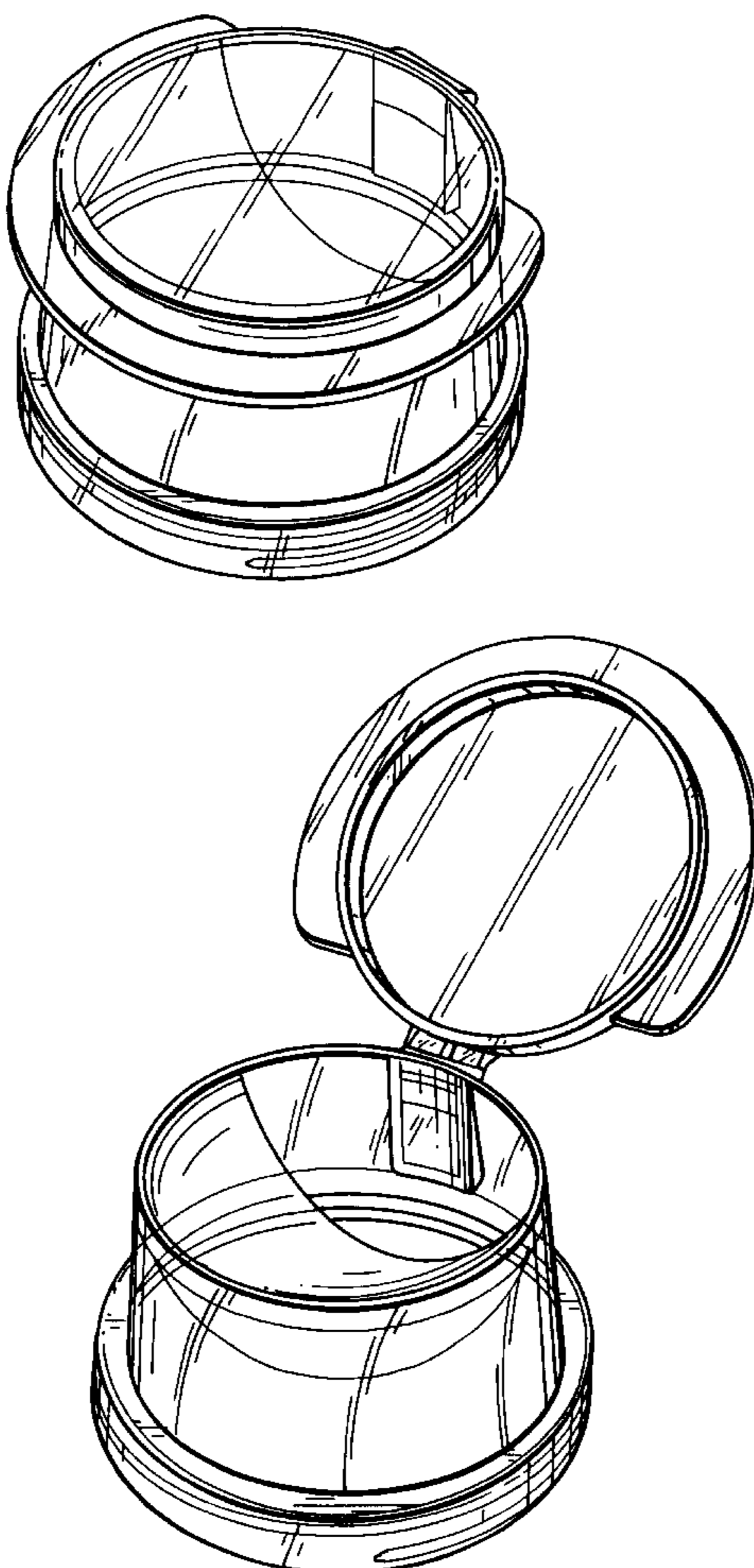
[56] **References Cited**

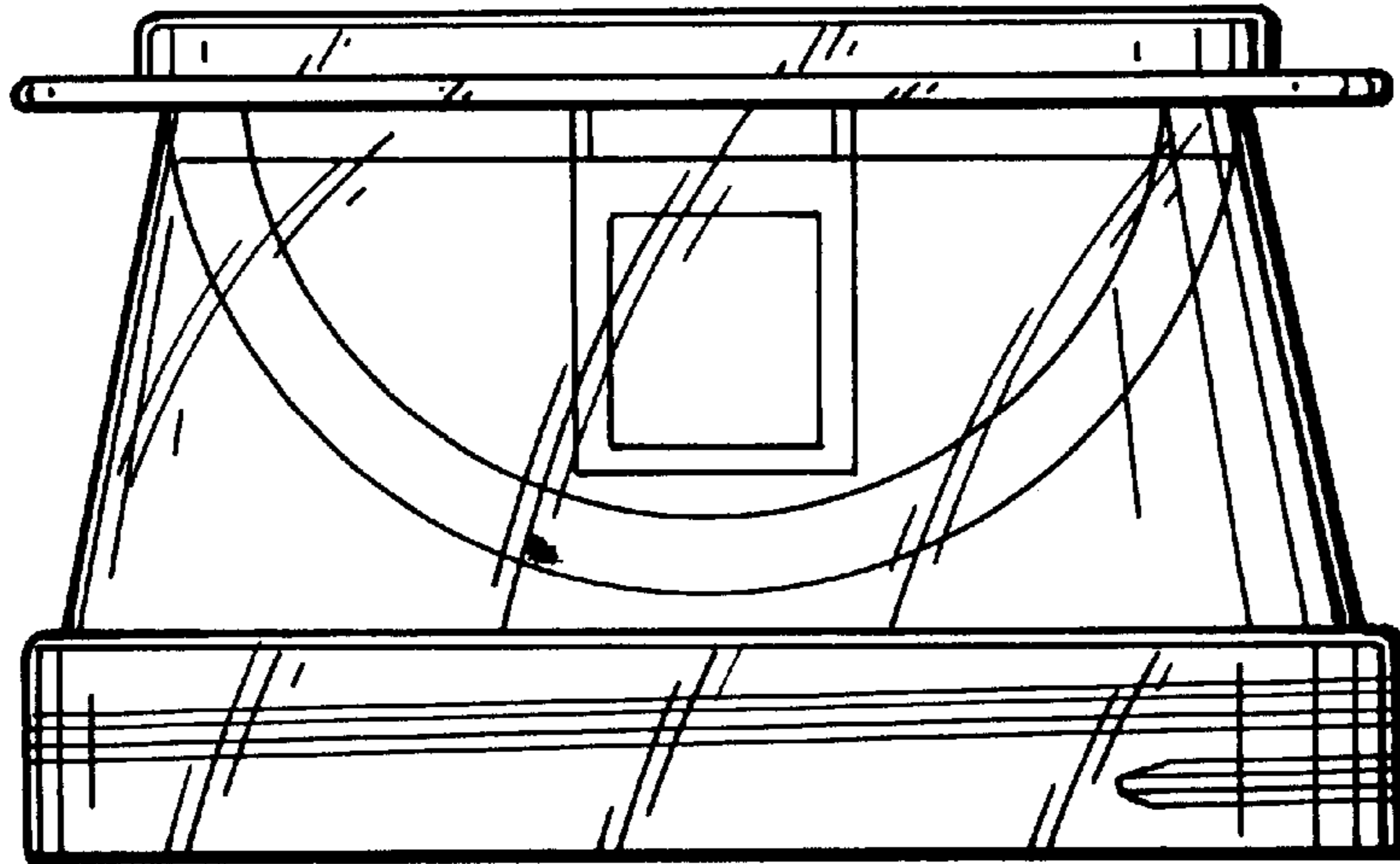
**U.S. PATENT DOCUMENTS**

D. 287,469 12/1986 Weinberger ..... D9/435  
D. 363,649 10/1995 Robbins, III .  
D. 378,273 3/1997 Robbins, III et al. .  
D. 379,148 5/1997 Robbins, III et al. .  
D. 379,434 5/1997 Robbins, III et al. .  
5,465,871 11/1995 Robbins, III .  
5,487,494 1/1996 Robbins, III .

FIG. 1 is a front elevation view of a dispensing cap in accordance with my new design;  
FIG. 2 is a top plan view thereof;  
FIG. 3 is a left side elevation thereof, the right side view being a mirror image thereof, except for differences in the threading;  
FIG. 4 is a rear elevation view thereof;  
FIG. 5 is a bottom plan view thereof;  
FIG. 6 is a perspective view thereof; and,  
FIG. 7 is a perspective view similar to FIG. 6 but with the lid portion of the cap in an open position.

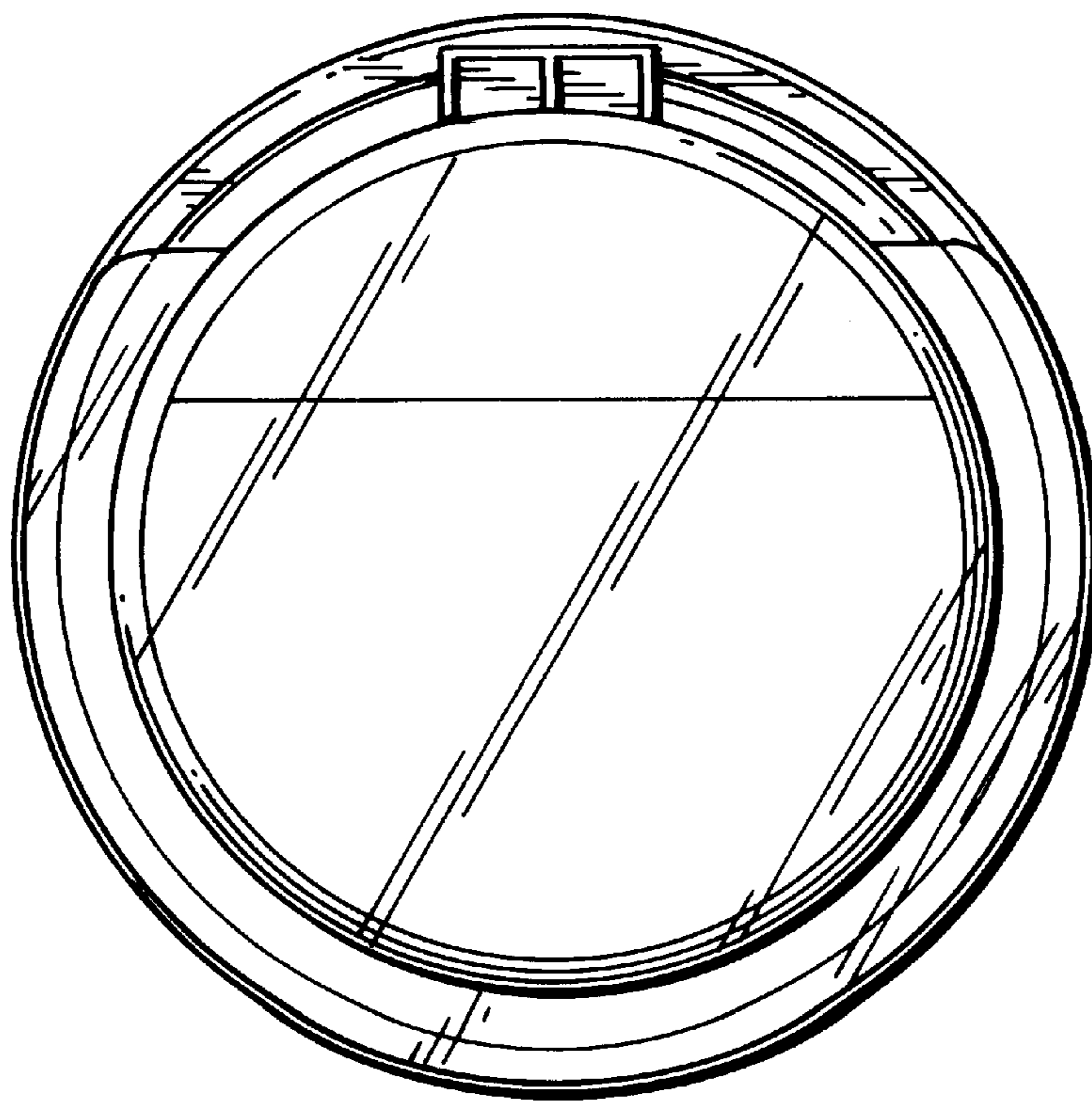
**1 Claim, 4 Drawing Sheets**

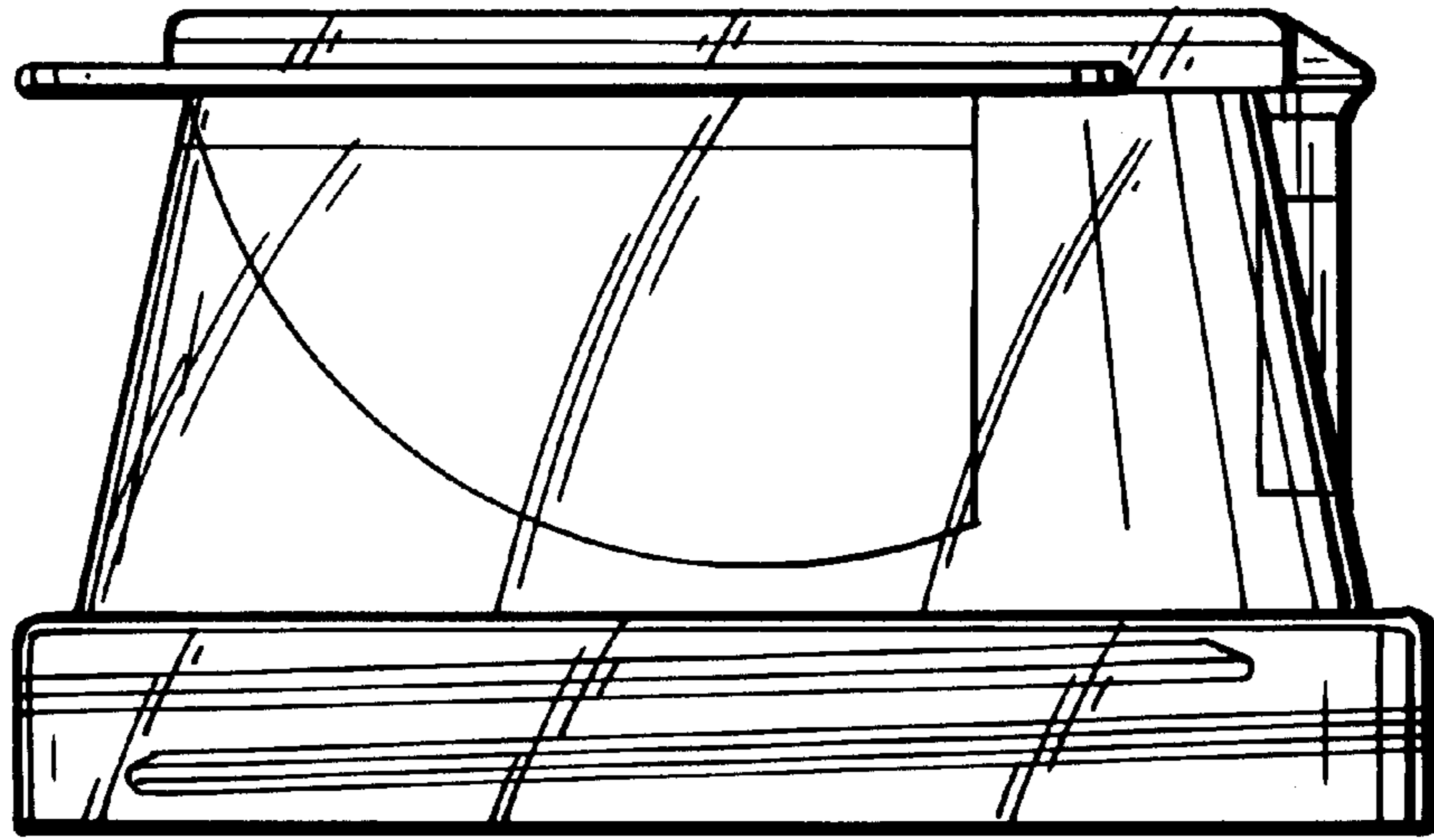




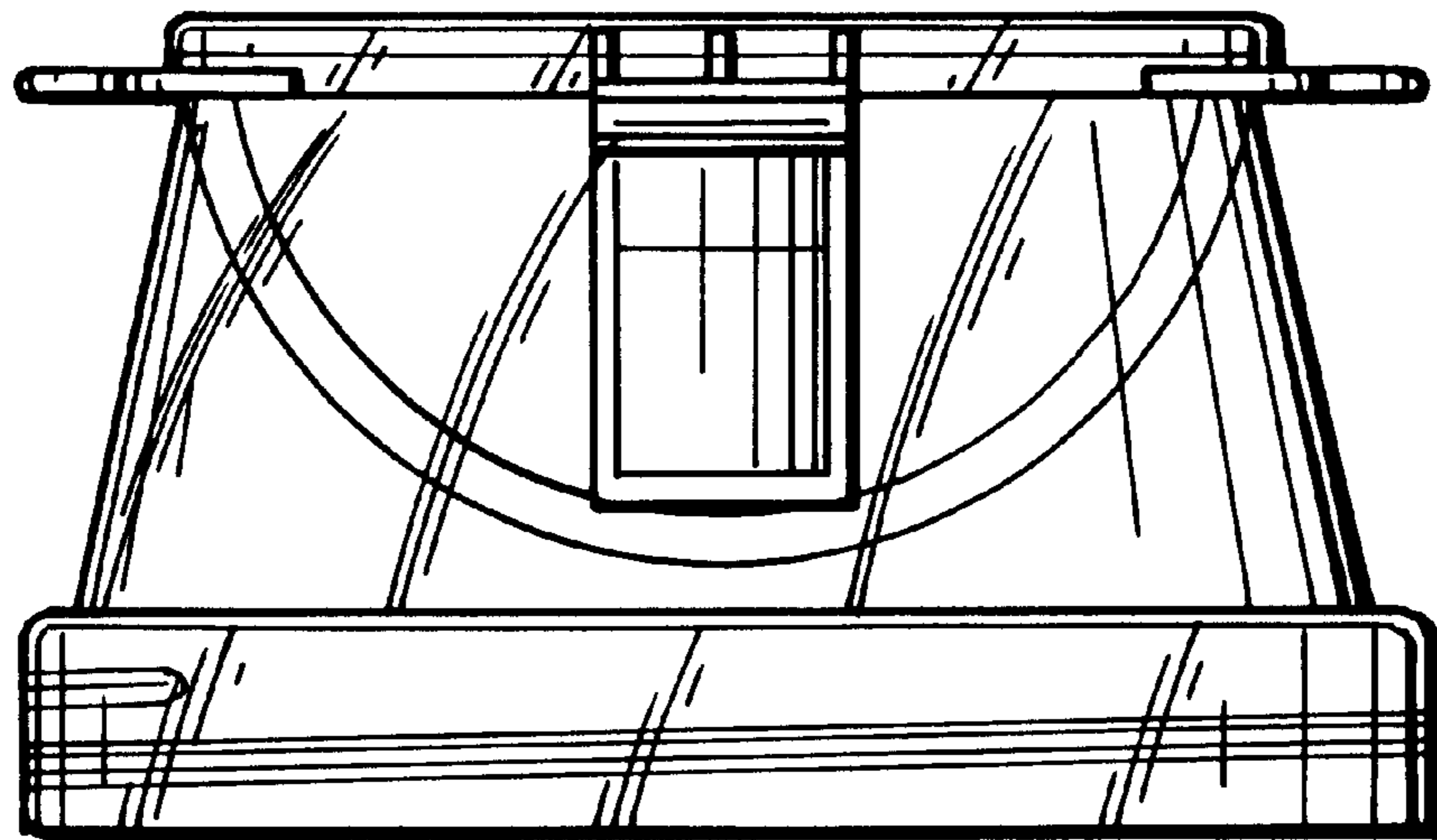
**FIG. 1**

**FIG. 2**

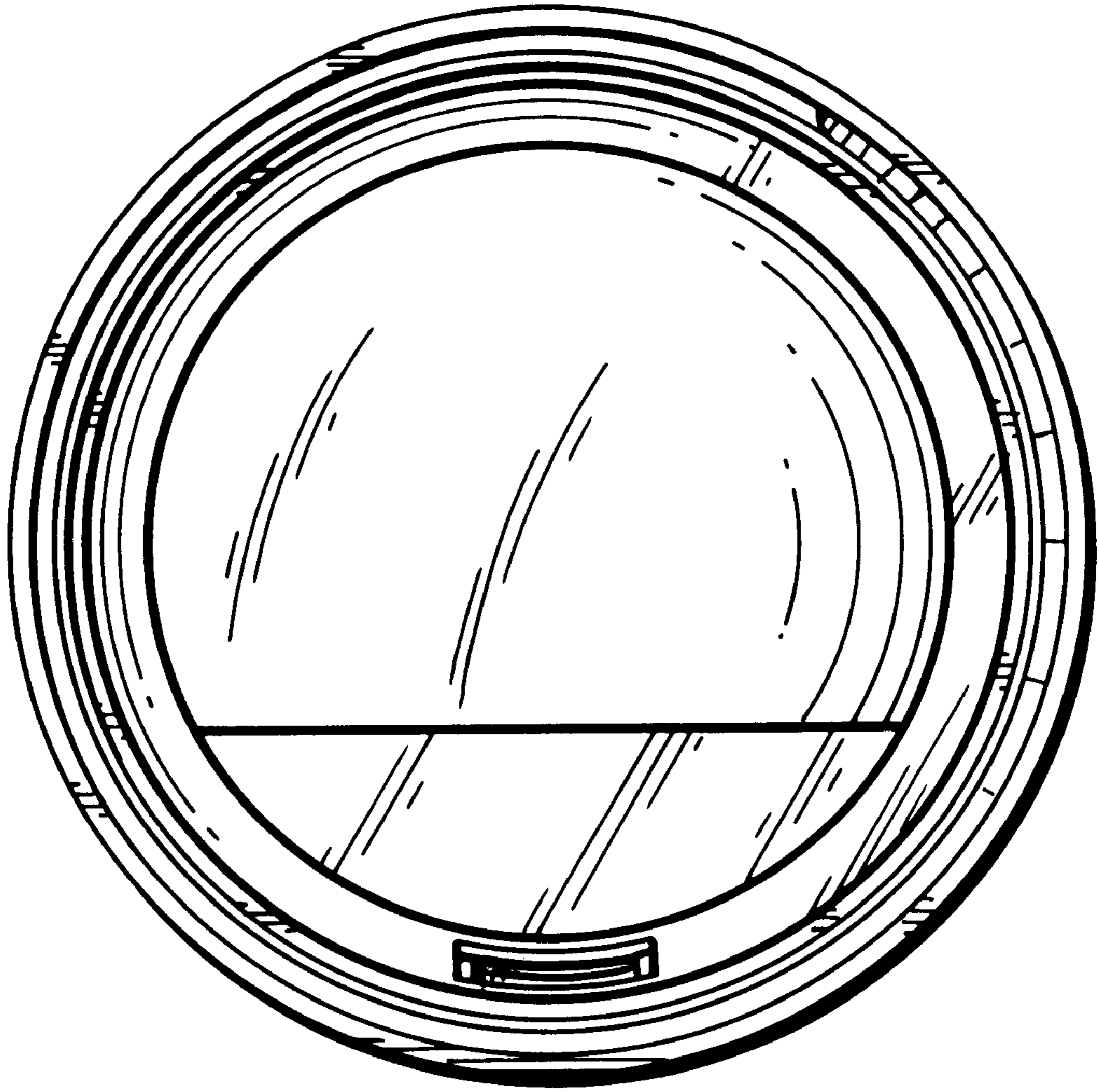




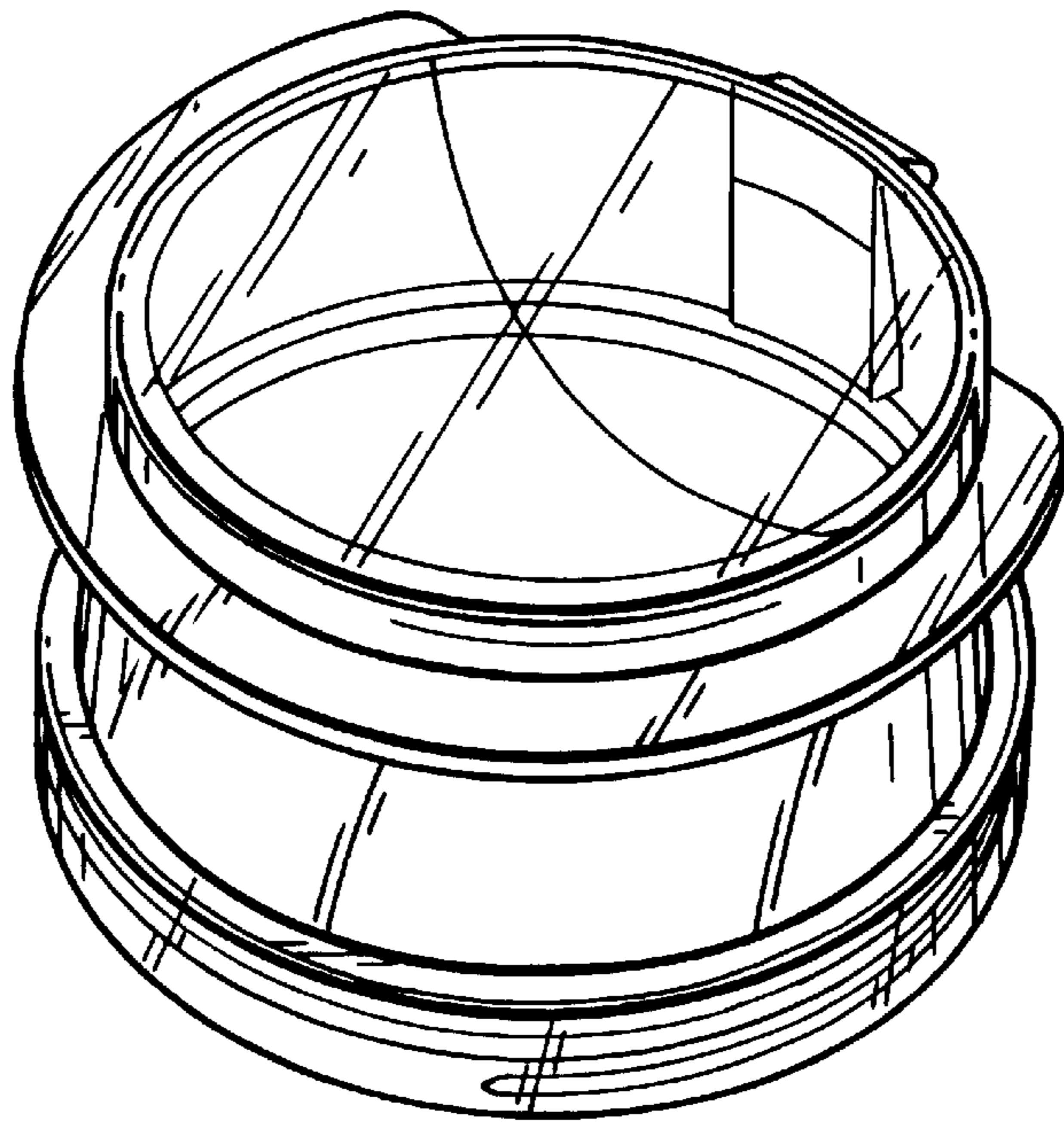
**FIG. 3**



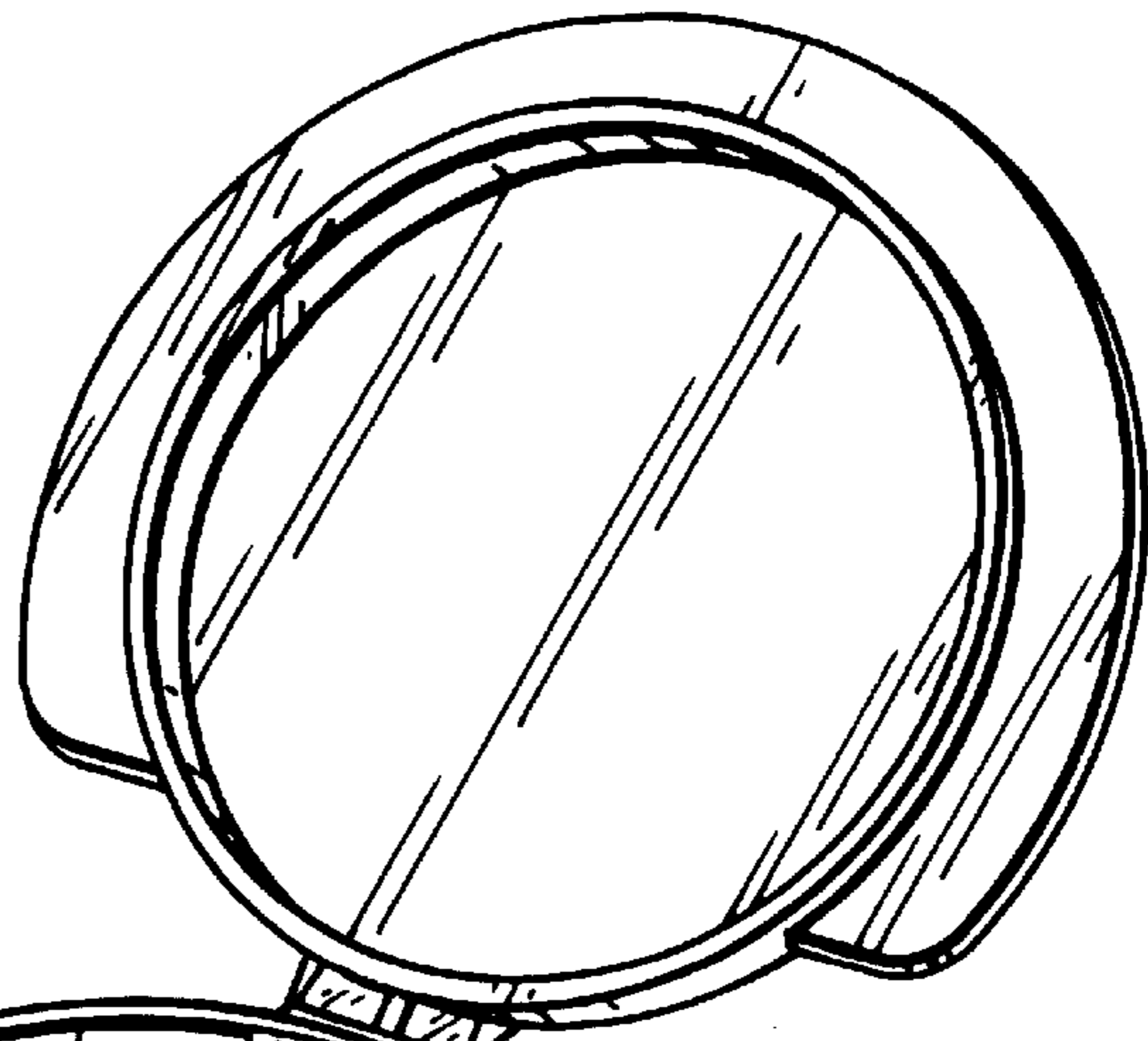
**FIG. 4**



**FIG. 5**



**FIG. 6**



**FIG. 7**

