



US00D419876S

United States Patent [19] Keung

[11] Patent Number: **Des. 419,876**

[45] Date of Patent: **** Feb. 1, 2000**

[54] **TRIGGER PUMP DISPENSER**

[75] Inventor: **Wing-Kwong Keung**, Perrysburg, Ohio

[73] Assignee: **Owens-Illinois Closure Inc.**, Toledo, Ohio

[**] Term: **14 Years**

[21] Appl. No.: **29/095,374**

[22] Filed: **Oct. 22, 1998**

[51] **LOC (7) Cl.** **09-07**

[52] **U.S. Cl.** **D9/448**

[58] **Field of Search** D9/300, 447, 448, D9/449; D23/213, 223, 224, 225, 226; 222/153.1, 153.11, 153.12, 153.13, 153.14, 383.1, 383.2, 383.3, 384, 385; 239/333

[56] **References Cited**

U.S. PATENT DOCUMENTS

- D. 285,713 9/1986 Garneau D23/226
- D. 305,612 1/1990 Haworth .
- D. 321,315 11/1991 Halm et al. .
- D. 337,945 8/1993 Warner D9/448
- D. 358,198 5/1995 Wadsworth D9/448 X
- D. 373,312 9/1996 Lin .

- D. 406,762 3/1999 Durliat D9/448
- 5,257,724 11/1993 Steijns 222/383.1 X
- 5,819,989 10/1998 Saraceni 222/383.1 X
- 5,887,763 3/1999 Foster 222/383.1

Primary Examiner—Cathron B. Matta

[57] **CLAIM**

The ornamental design for a trigger pump dispenser, as shown and described.

DESCRIPTION

FIG. 1 is a perspective view of a trigger pump dispenser showing my new design. The broken line showing of environmental parts is for illustrative purposes only and forms no part of the design;

FIG. 2 is a top plan view;

FIG. 3 is a left side elevational view;

FIG. 4 is a rear elevational view;

FIG. 5 is a front elevational view; and,

FIG. 6 is a bottom plan view.

The right side elevation is a mirror image of the left side elevation. The interior of the dispenser is shown in broken lines for illustrative purposes only and forms no part of the claimed design.

1 Claim, 2 Drawing Sheets

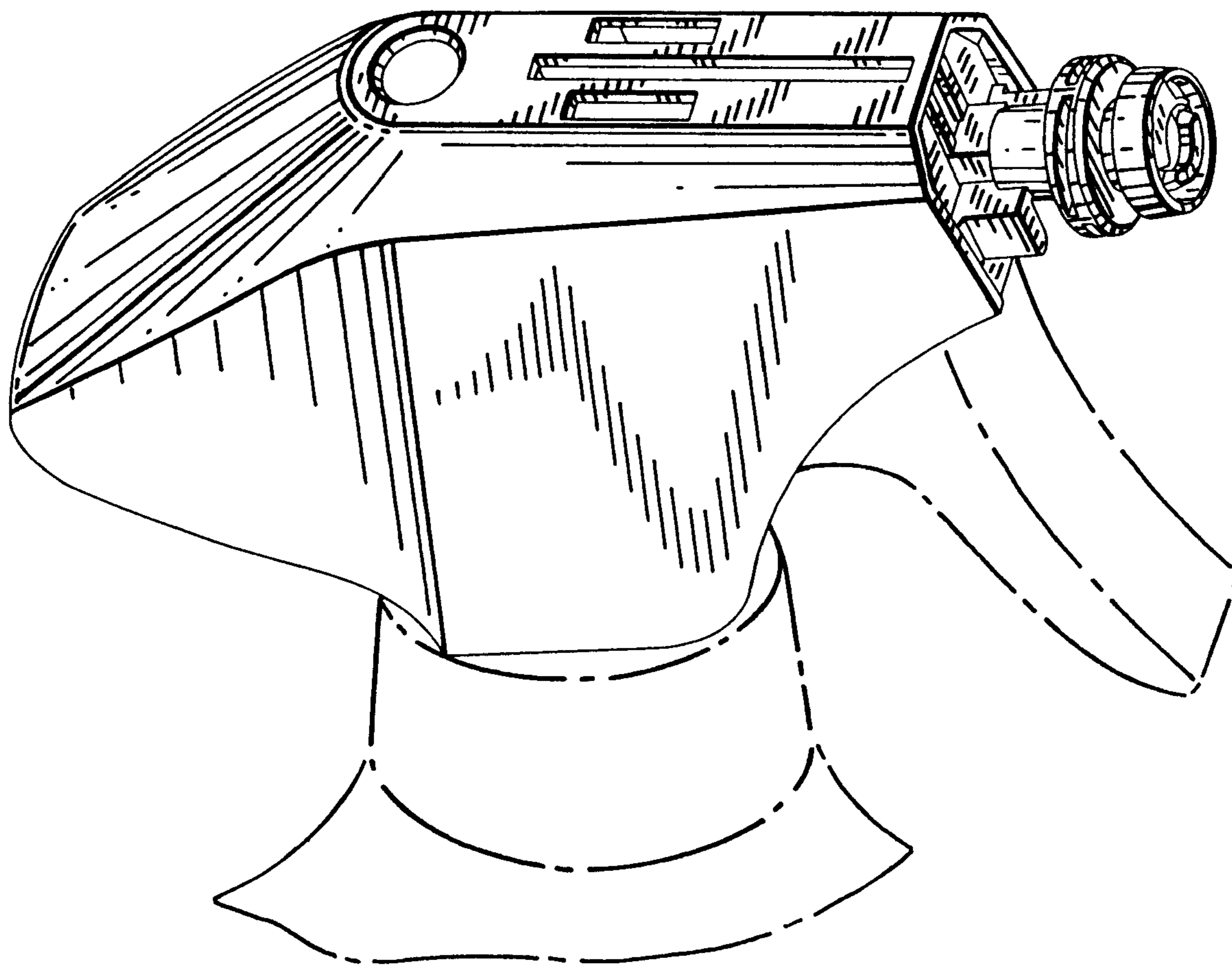


FIG. 1

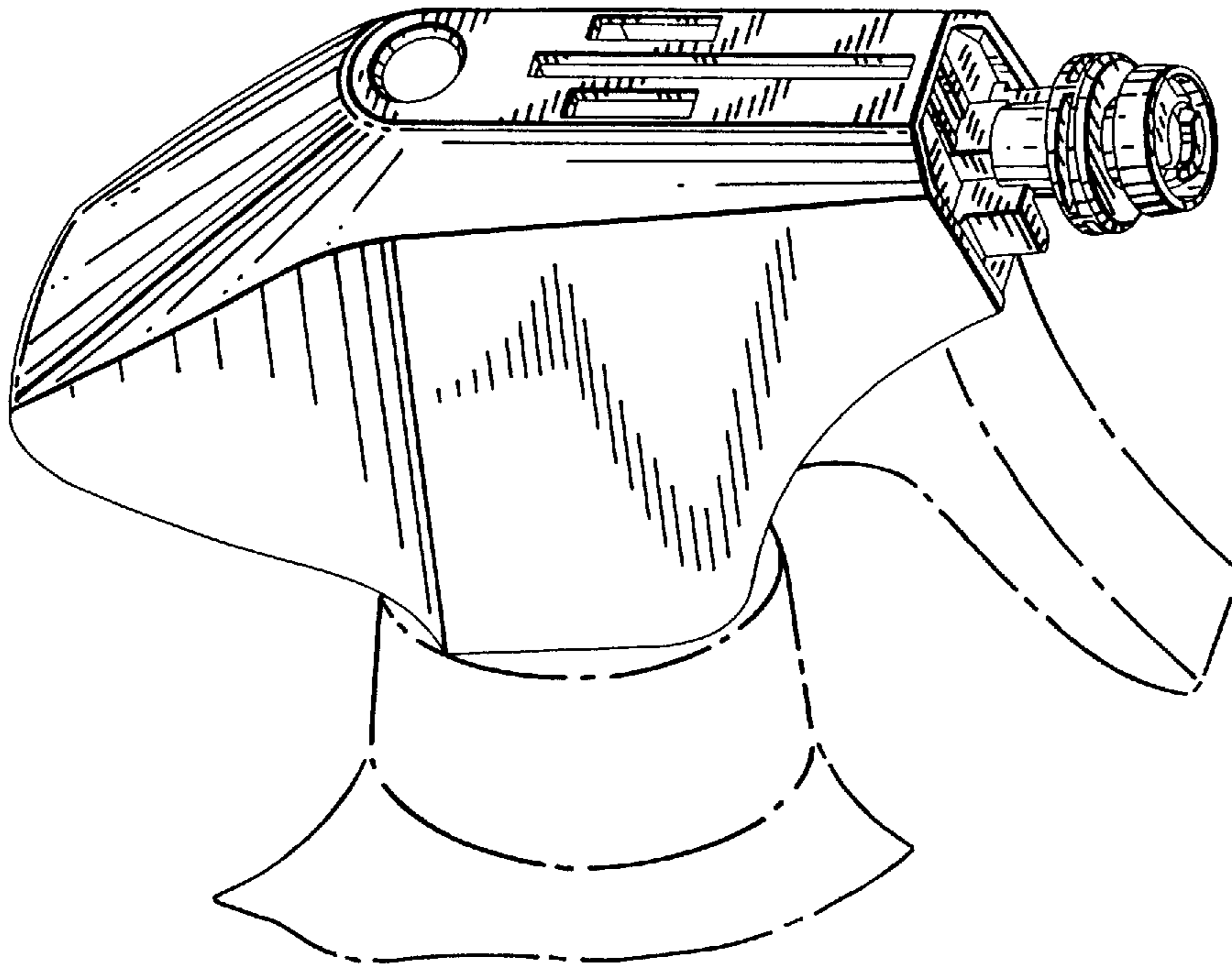
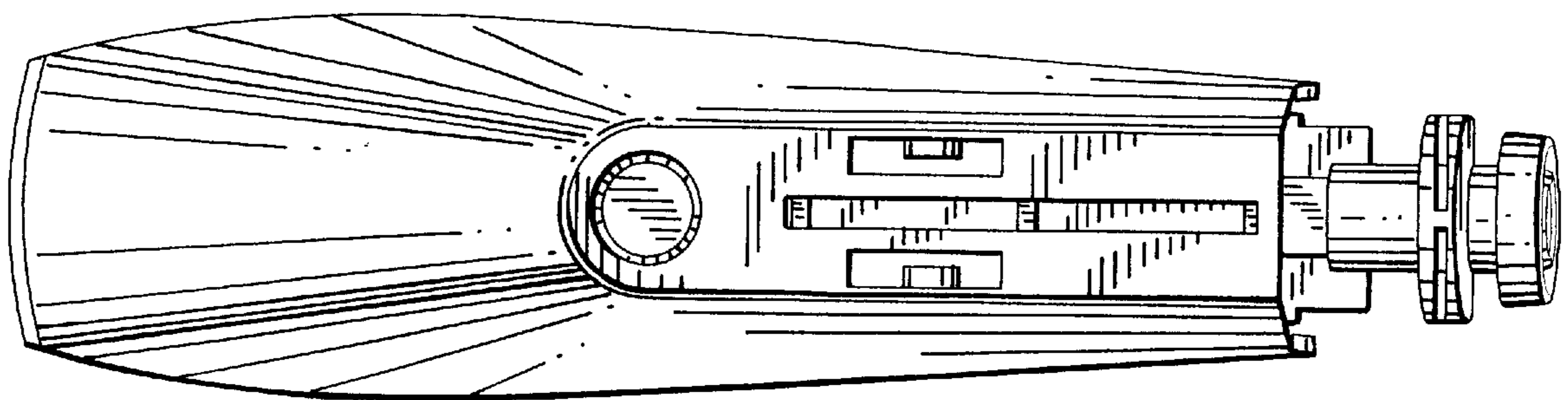


FIG. 2



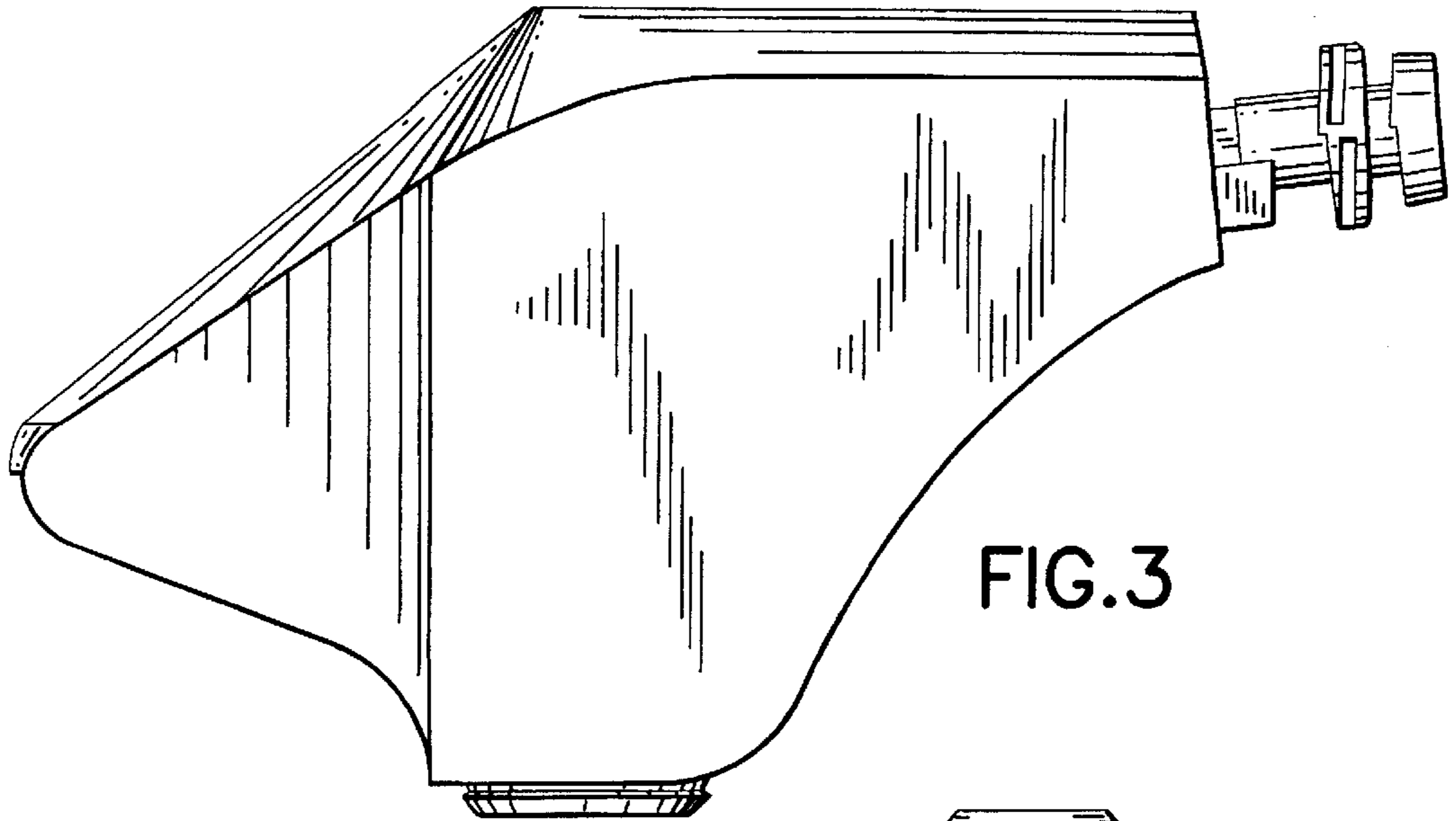


FIG. 3

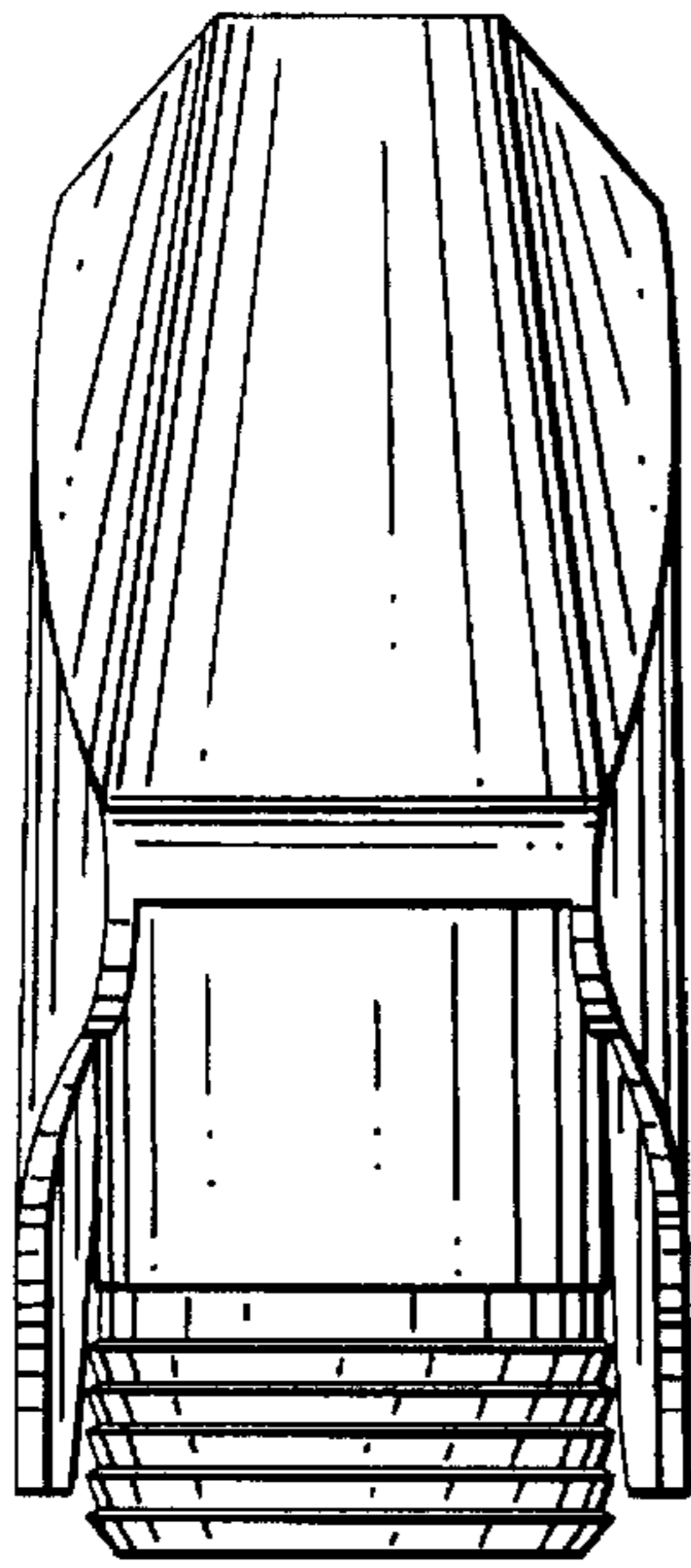


FIG. 4

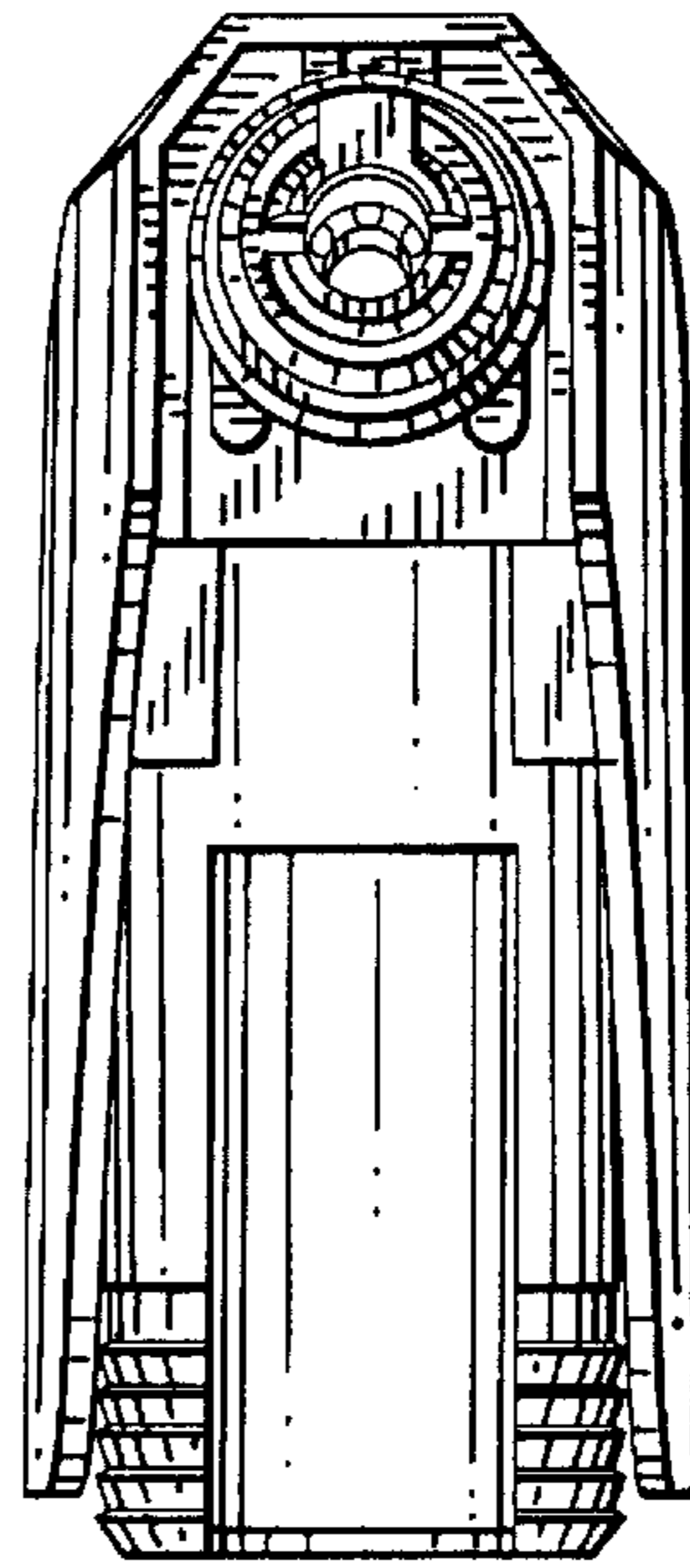


FIG. 5

FIG. 6

