



US00D419872S

United States Patent [19] Lane

[11] **Patent Number: Des. 419,872**

[45] **Date of Patent: ** Feb. 1, 2000**

[54] **BOTTLE**

5,598,941 2/1997 Semersky et al. 215/384
5,758,790 6/1998 Ewing, Jr. 215/384

[75] Inventor: **Michael T. Lane**, Brooklyn, Mich.

Primary Examiner—Cathron B. Matta
Attorney, Agent, or Firm—Harness, Dickey & Pierce, P.L.C.

[73] Assignee: **Schmalbach-Lubeca AG**, Ratingen,
Germany

[57] **CLAIM**

[**] Term: **14 Years**

The ornamental design for a bottle, as shown and described.

[21] Appl. No.: **29/095,559**

DESCRIPTION

[22] Filed: **Oct. 26, 1998**

[51] **LOC (7) Cl.** **09-07**

[52] **U.S. Cl.** **D9/434; D9/520; D9/537;**
D9/557

[58] **Field of Search** D9/434, 520, 530,
D9/537, 540, 557; 215/382, 383, 384; 220/669,
670, 672, 673, 675

FIG. 1 is a perspective view of a bottle according to the present invention;

FIG. 2 is a rear elevational view thereof;

FIG. 3 is a left side elevational view thereof, the right side elevational view being a mirror image thereof;

FIG. 4 is a front elevational view thereof; and,

FIG. 5 is a left side elevational view of a second embodiment of a bottle according to the present invention, the right side elevational view being a mirror image thereof, and the front and rear elevational views being substantially the same as that shown in FIGS. 2 and 4.

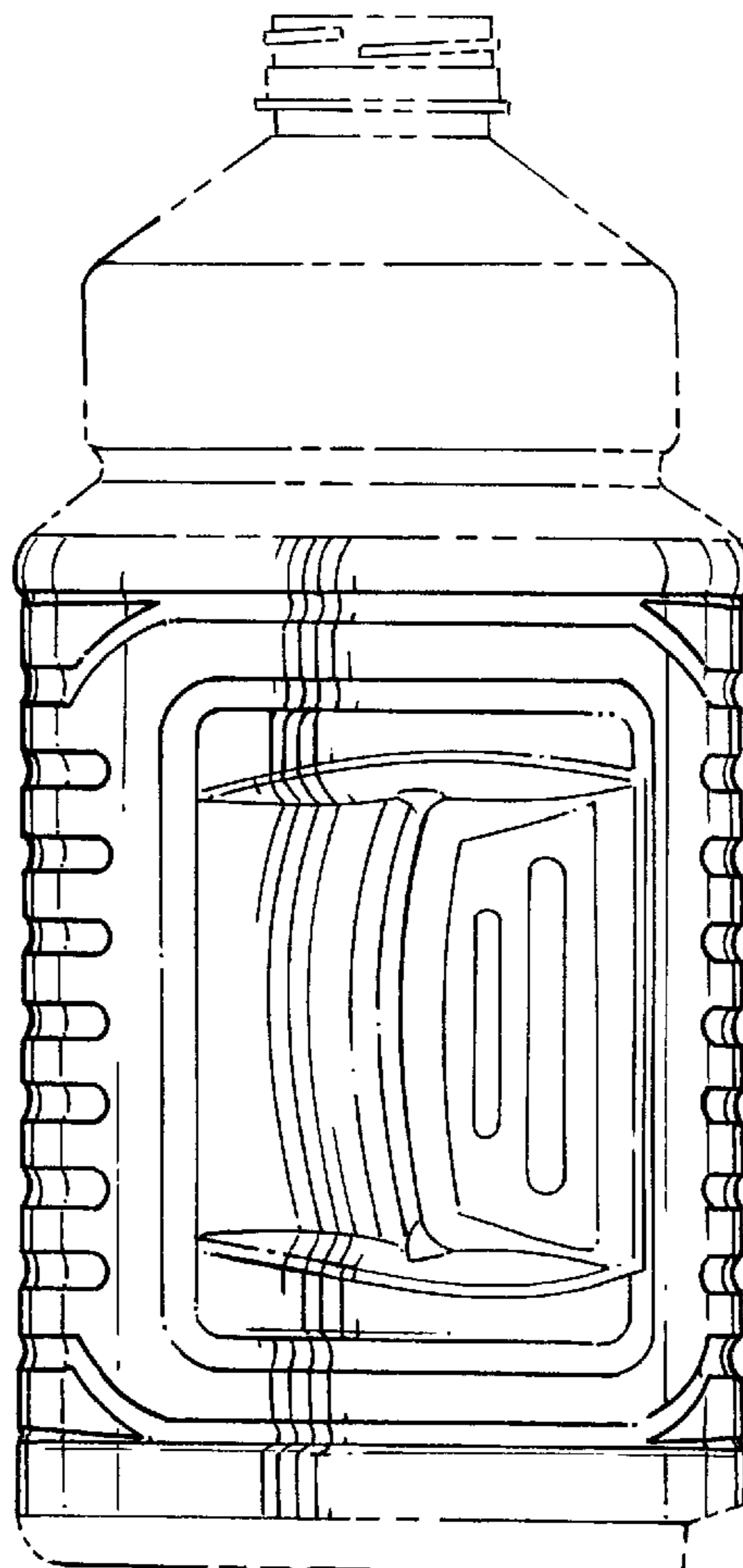
The broken line showing of the upper and lower portion of the bottle is for illustrative purposes only and forms no part of the claimed design. The broken lines which define the bounds of the claimed design form no part thereof.

[56] **References Cited**

U.S. PATENT DOCUMENTS

D. 344,457	2/1994	Prevot	D9/537
D. 390,114	2/1998	Young	D9/520
5,141,120	8/1992	Brown et al.	215/384 X
5,141,121	8/1992	Brown et al.	215/384 X
5,392,937	2/1995	Prevot et al.	220/675 X
5,472,105	12/1995	Krishnakumar et al.	215/384

1 Claim, 3 Drawing Sheets



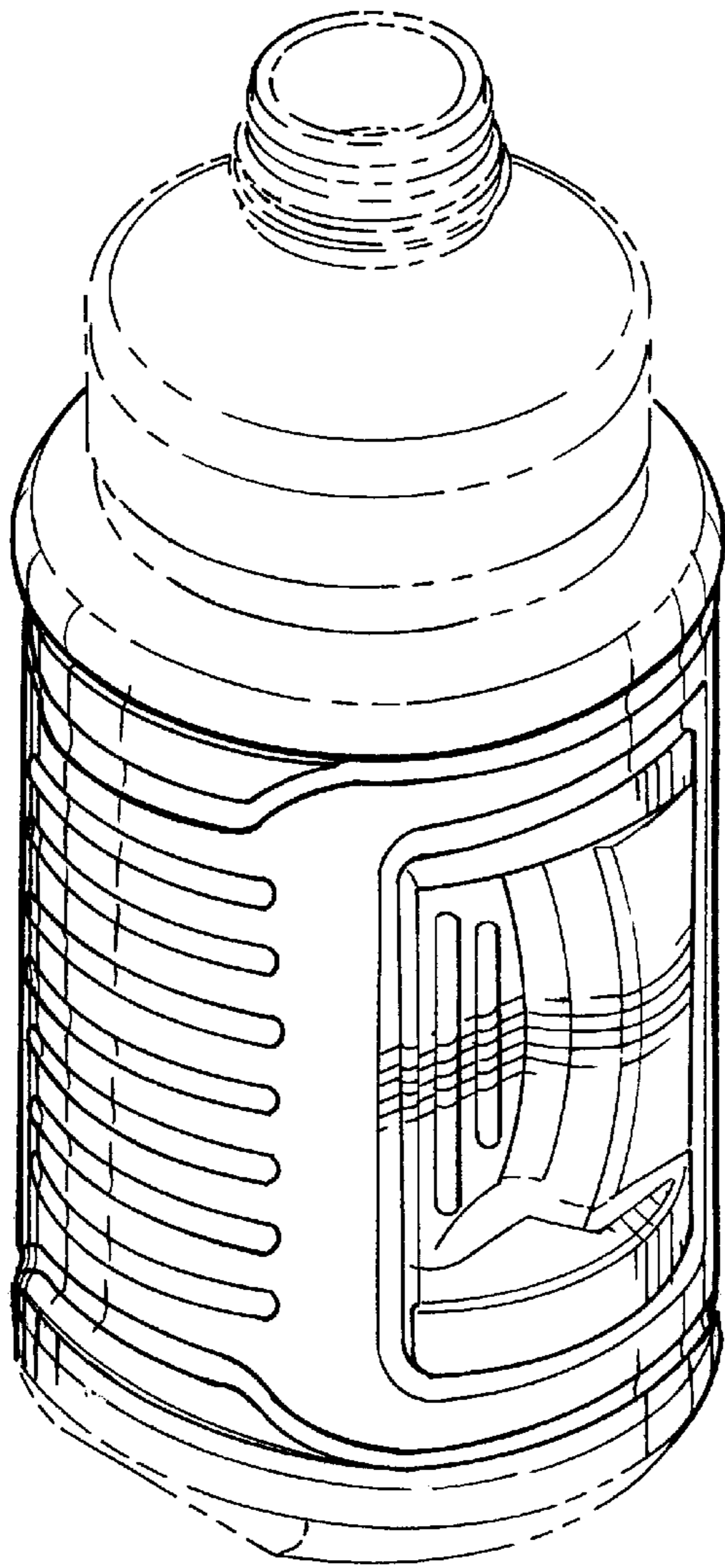


Fig-1

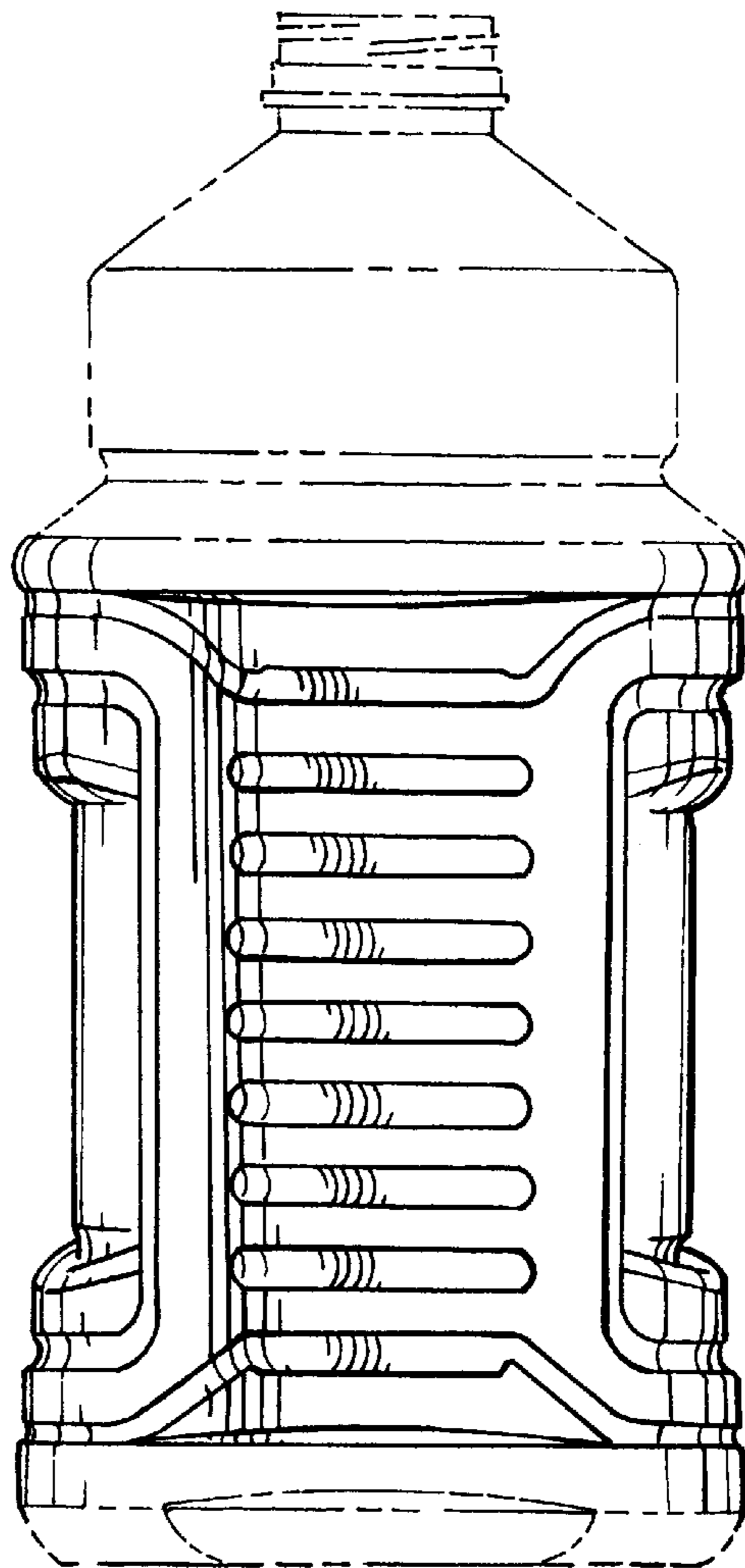


Fig-2

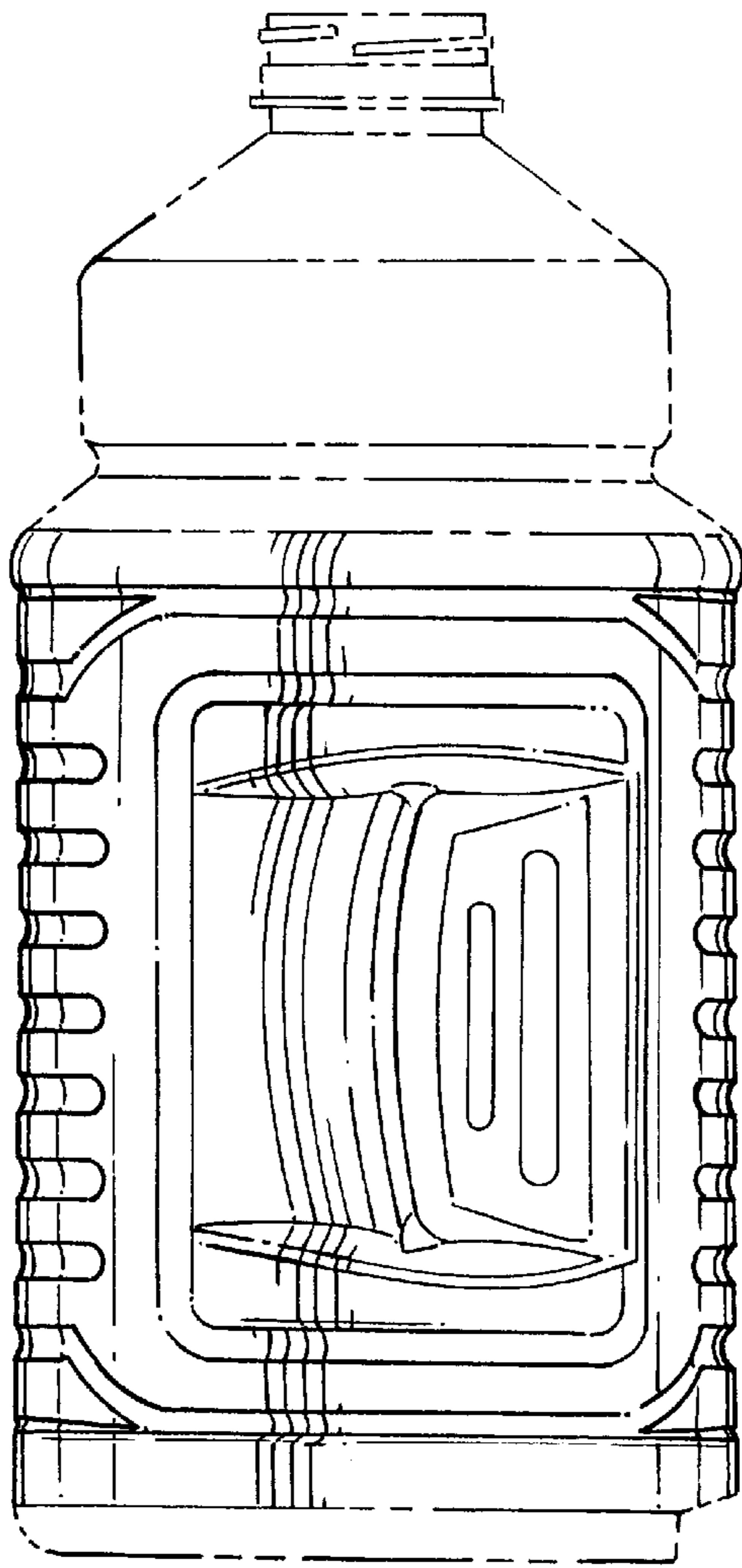
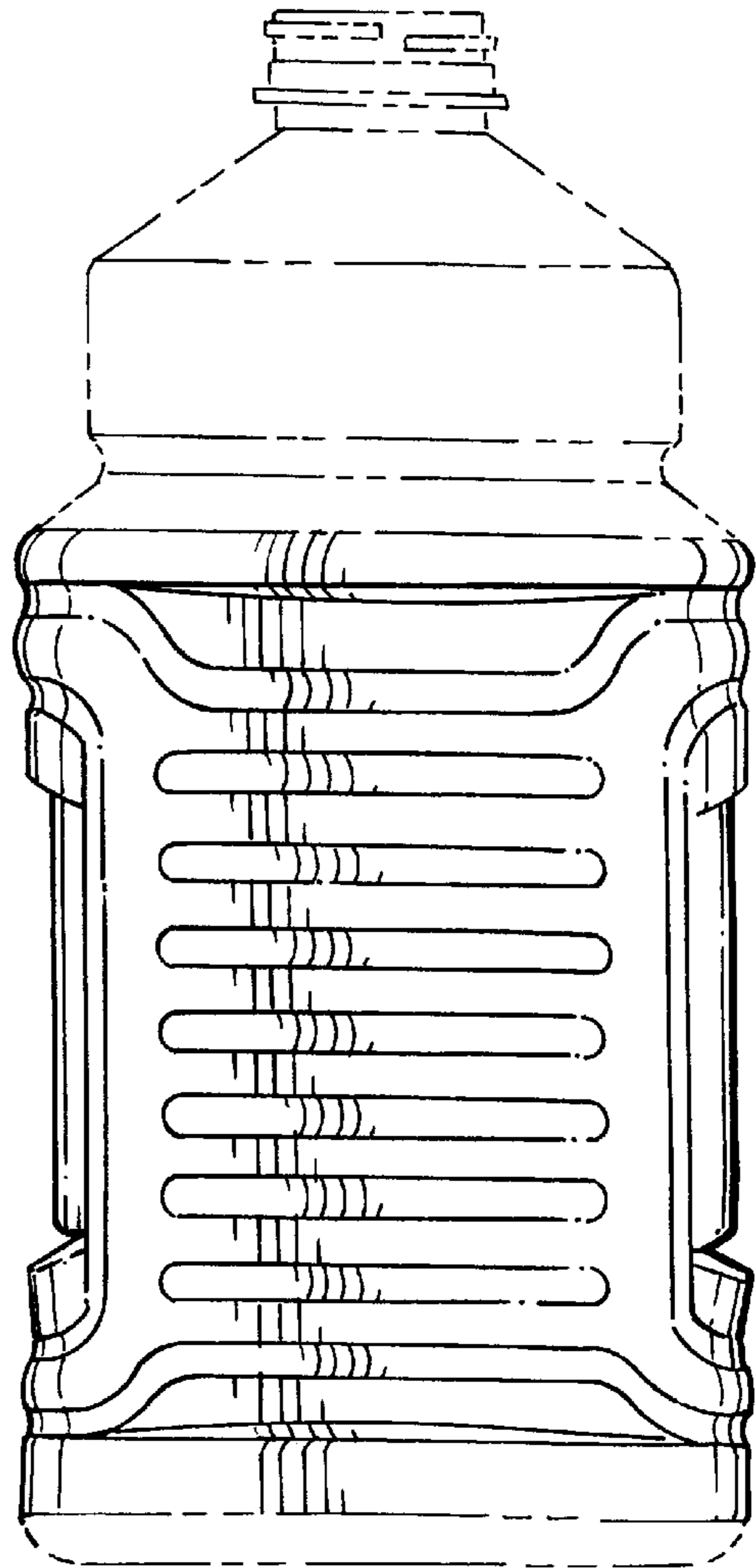


Fig-4

Fig-3



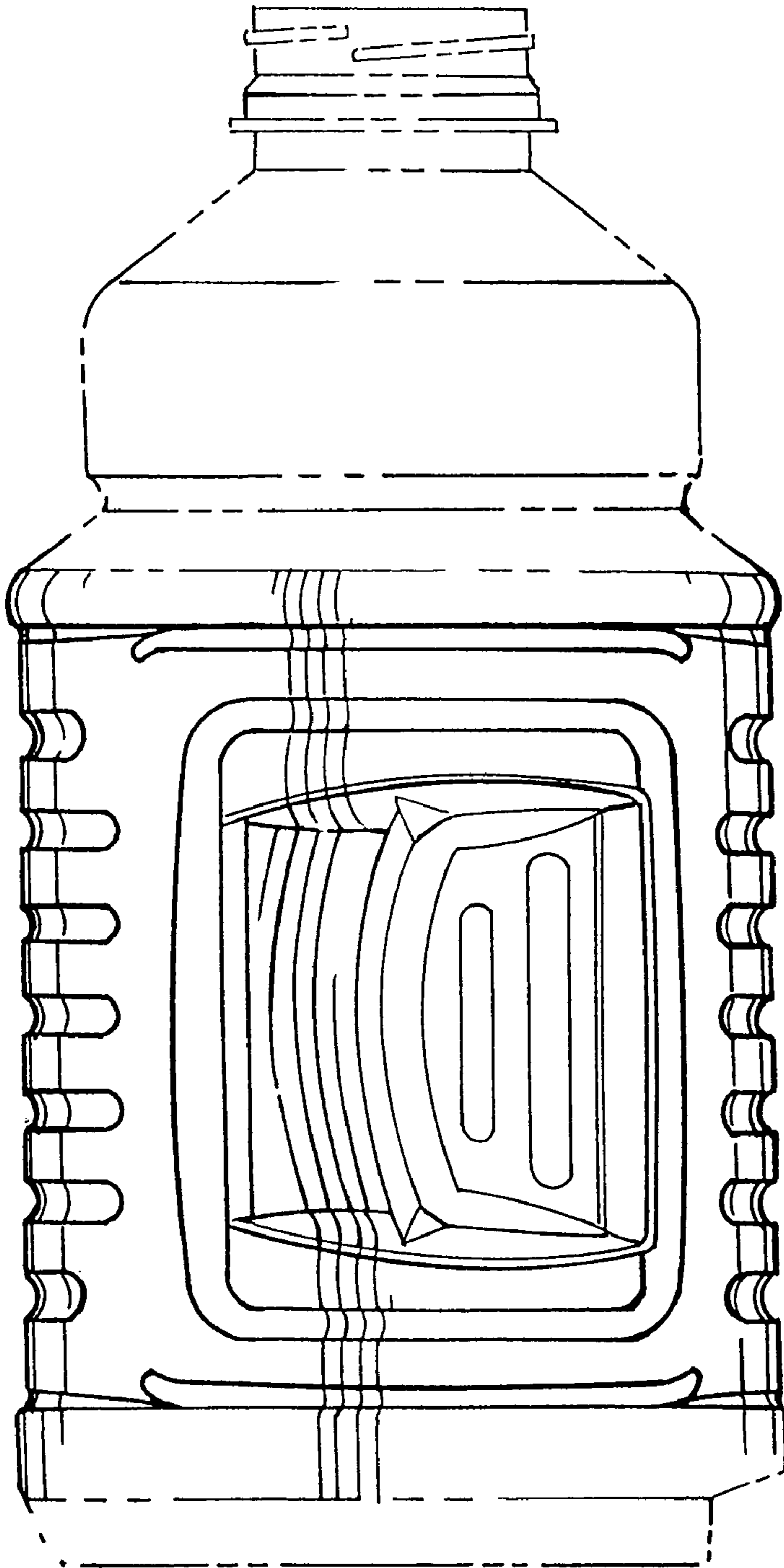


Fig-5