



US00D419863S

United States Patent [19] Mullane

[11] Patent Number: Des. 419,863

[45] Date of Patent: ** Feb. 1, 2000

[54] SNOW GUARD SYSTEM MEMBER

[75] Inventor: Michael J. Mullane, Hudson, Mass.

[73] Assignee: M.J. Mullane Company, Inc., Hudson, Mass.

[**] Term: 14 Years

[21] Appl. No.: 29/104,098

[22] Filed: Apr. 28, 1999

[51] LOC (7) Cl. 08-99

[52] U.S. Cl. D8/499

[58] Field of Search D8/480, 499; D25/199;
52/24, 25, 26

[56] References Cited

U.S. PATENT DOCUMENTS

D. 30,788	5/1899	Clark	D8/499
D. 254,051	1/1980	Zaleski	D8/499
D. 314,506	2/1991	McMullen	D8/499
D. 364,556	11/1995	Lee et al.	D8/499
463,235	11/1891	Reimel	52/24
5,348,791	9/1994	Zaleski	52/24
5,371,979	12/1994	Kwiatkowski et al.	52/24
5,655,334	8/1997	Kwiatkowski	52/24
5,664,374	9/1997	Lee	52/24

OTHER PUBLICATIONS

Snowjax, Inc., *Metal Construction News*, ad, ca. Jan. 1993.
M.J. Mullane Co., "Snow Guards," Oct. 1993.
M.J. Mullane Co., "Cast Snow & Ice Guards," Jun. 1994.
M.J. Mullane Co., "Model #100S: For Retrofit on New Installation on Slate, Shake and Shingle Roofs," 1996.

Primary Examiner—Susan J. Lucas
Assistant Examiner—Jennifer Rivard
Attorney, Agent, or Firm—Christopher John Rudy

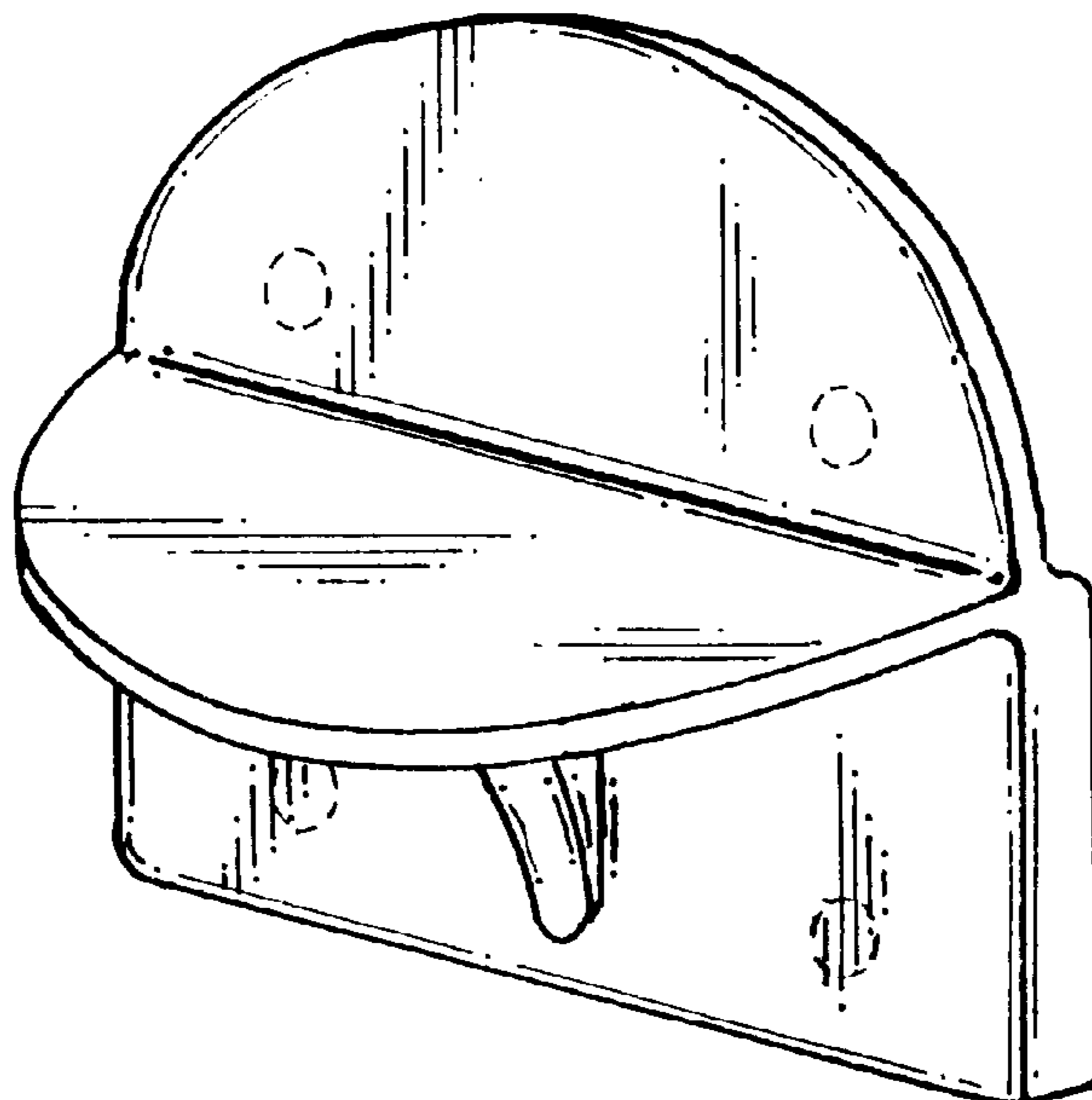
[57] CLAIM

The ornamental design for a snow guard system member, as shown and described.

DESCRIPTION

FIG. 1 is top view of a snow guard system member, showing my new design;
FIG. 2 is a right side view thereof, the left side being in essence a mirror image thereof;
FIG. 3 is a front, inverted view thereof so that the face of the snow restraining member appears to be at the bottom thereof;
FIG. 4 is a rear view thereof;
FIG. 5 is a bottom view thereof; and,
FIG. 6 is a perspective, upraised view thereof, with the snow restraining member appearing to approach the viewer's left side.
FIG. 7 is a bottom view of another embodiment of a snow guard system member, showing my new design, the same having, in lieu of the squarelike-U-shaped installation flange end barrier seen in FIGS. 2-6, a straight installation flange end barrier otherwise of the same general height from the bottom of the base as that squarelike-U-shaped flange barrier, with the present member appearing otherwise analogously to the member of FIGS. 1-4 & 6.
FIG. 8 is a bottom view of another embodiment of a snow guard system member, showing my new design, the same having a flat base bottom, with the present member appearing otherwise analogously to the member of FIGS. 1-4 & 6.
FIG. 9 is a top, rear perspective view of the snow guard system member of FIGS. 1-6 attached in its working environment to an installation flange, illustrated in phantom and forming no part of the present design, which, for example, can be mounted to a shingle of a slate roof.
The phantom holes in FIGS. 1, 5, 6, 7, 8, and 9 are shown for illustrative purposes only and form no part of the claimed design.

1 Claim, 3 Drawing Sheets



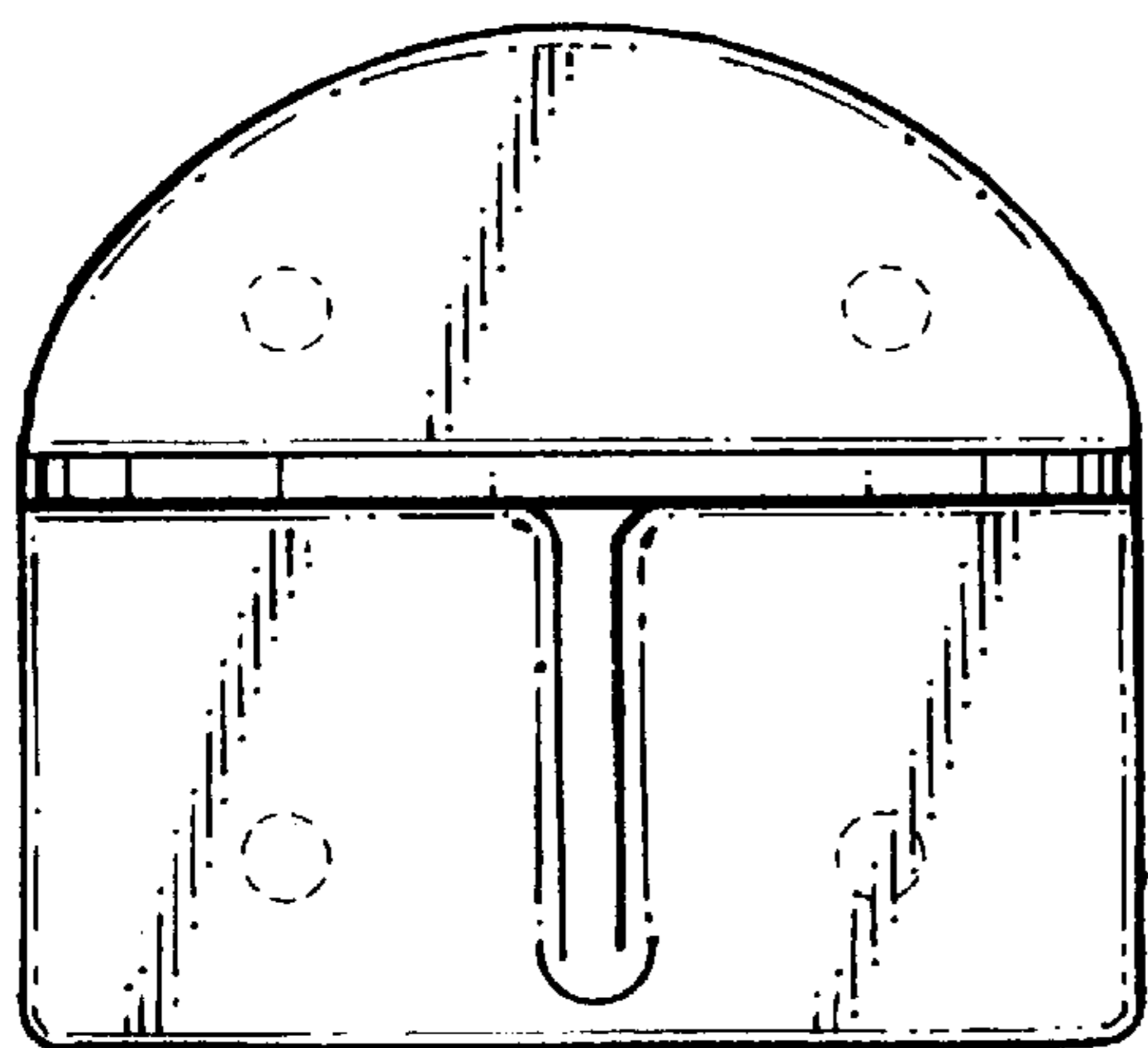


Fig. 1

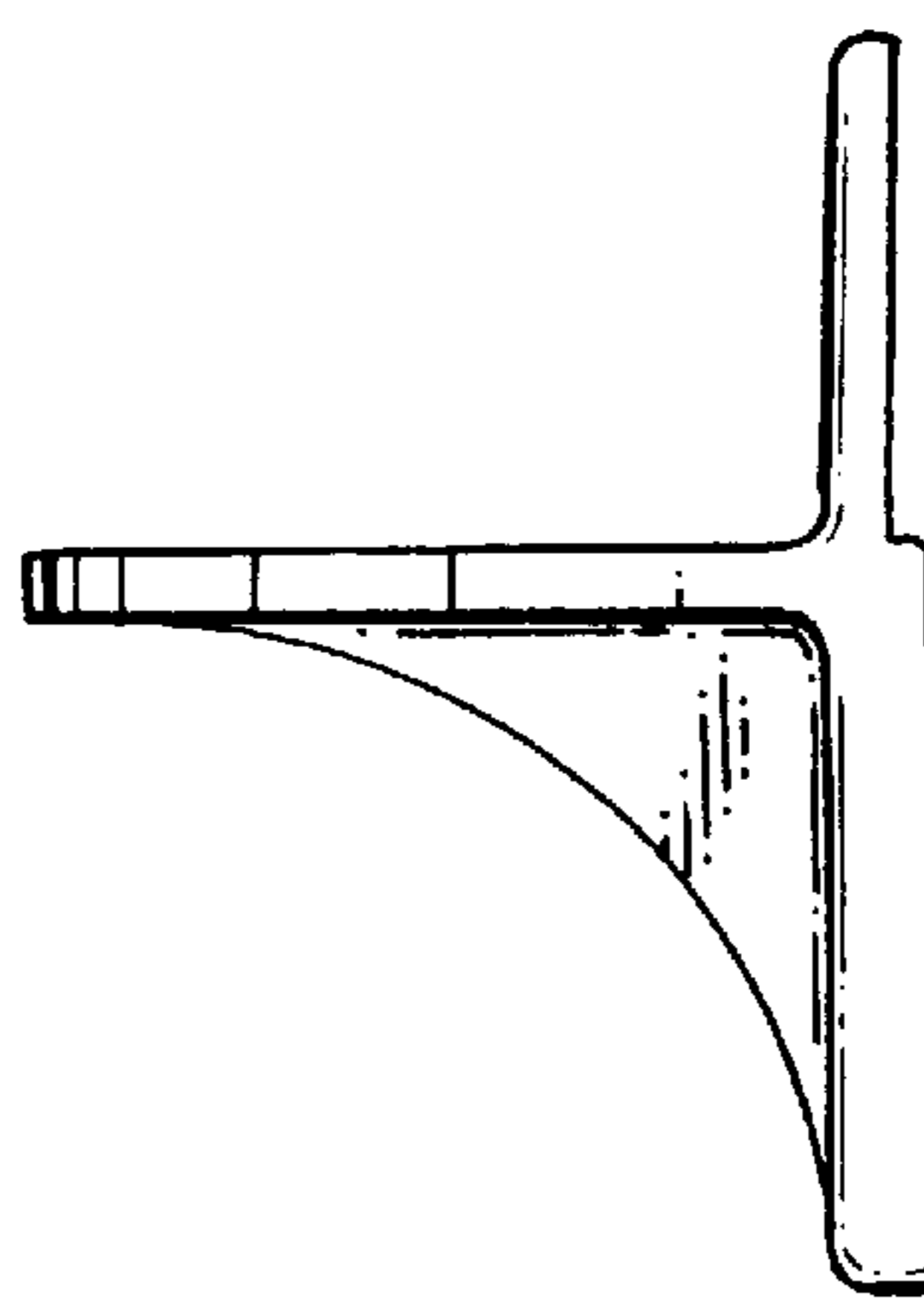


Fig. 2

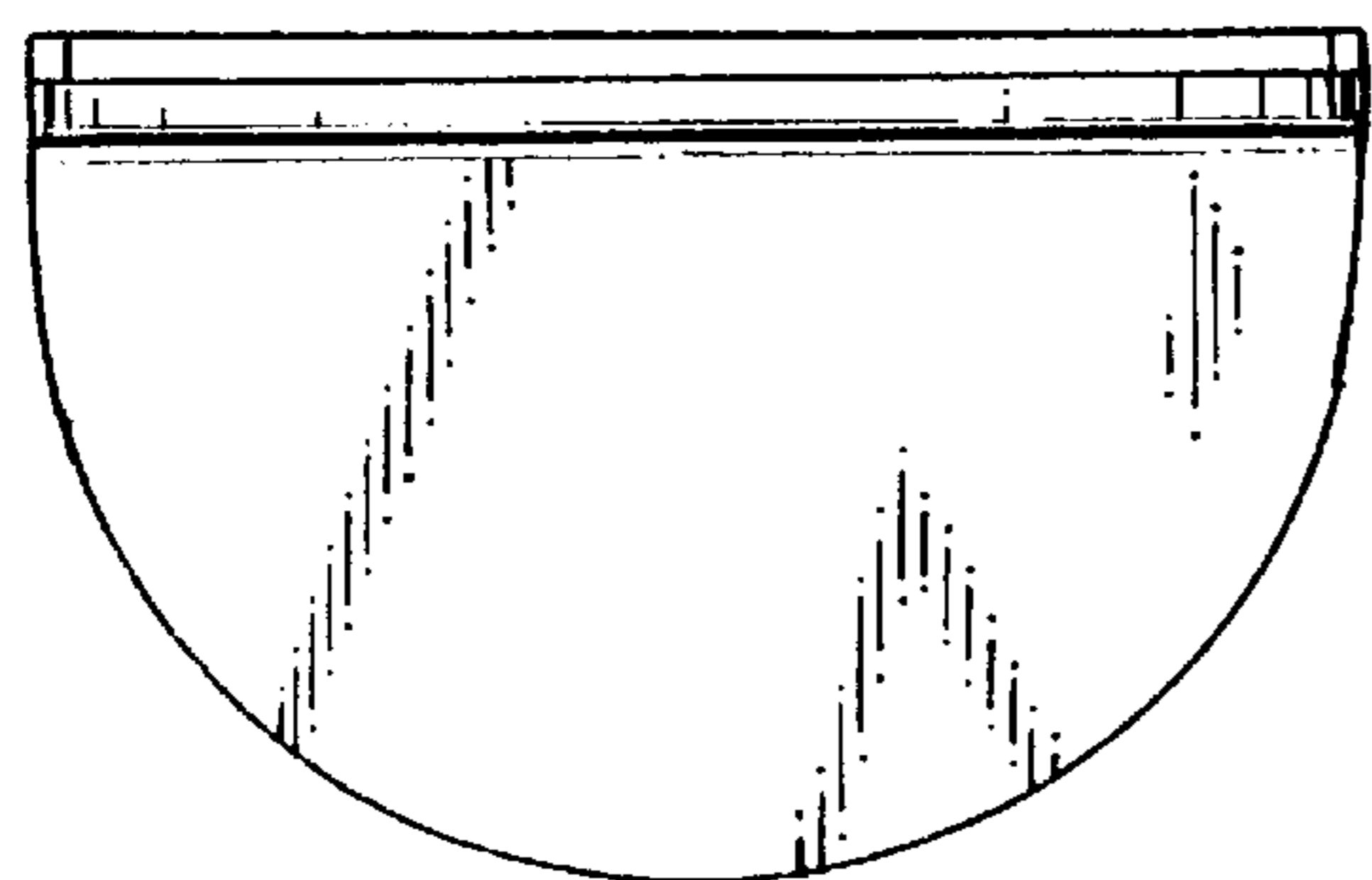


Fig. 3

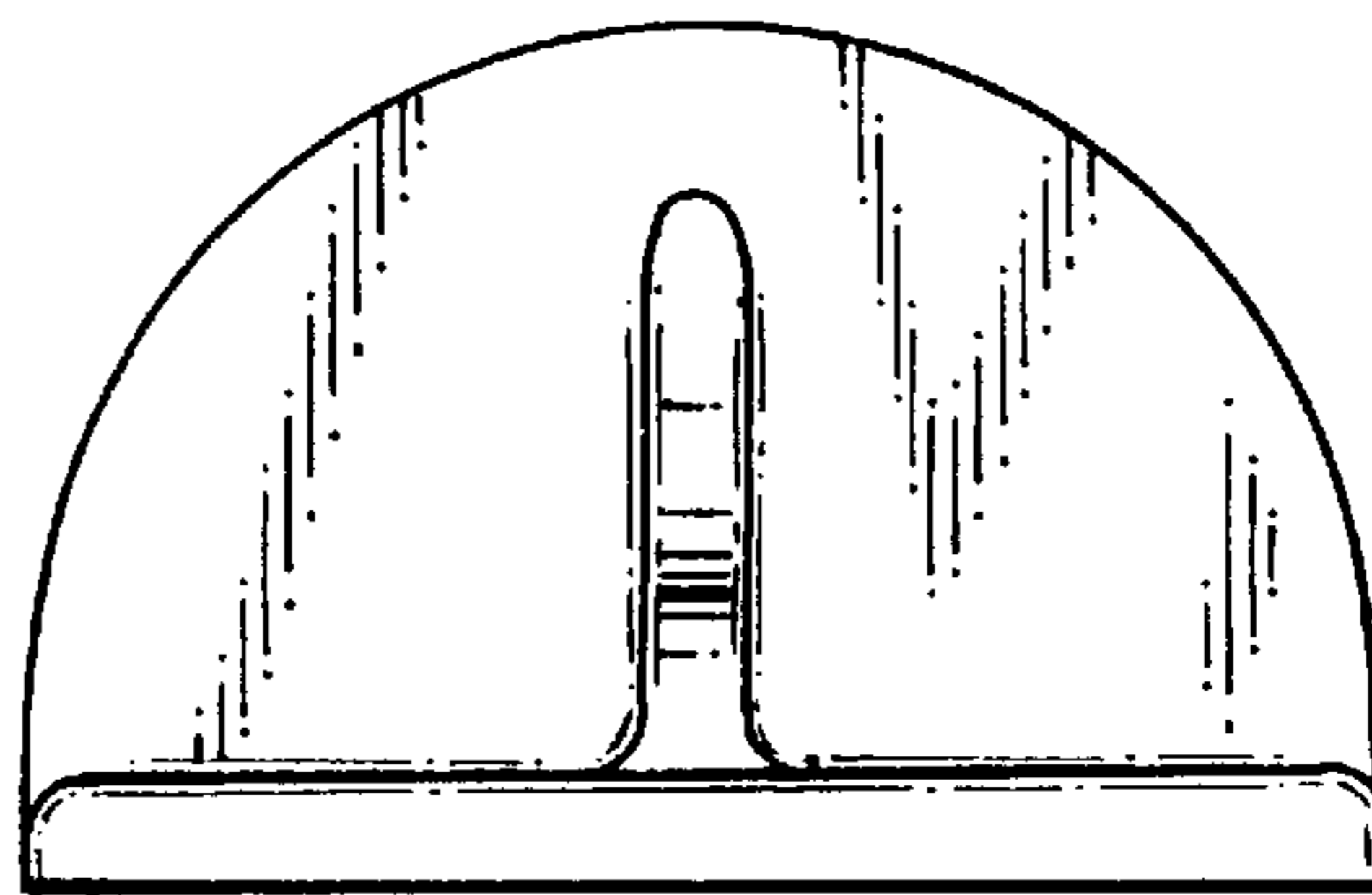


Fig. 4

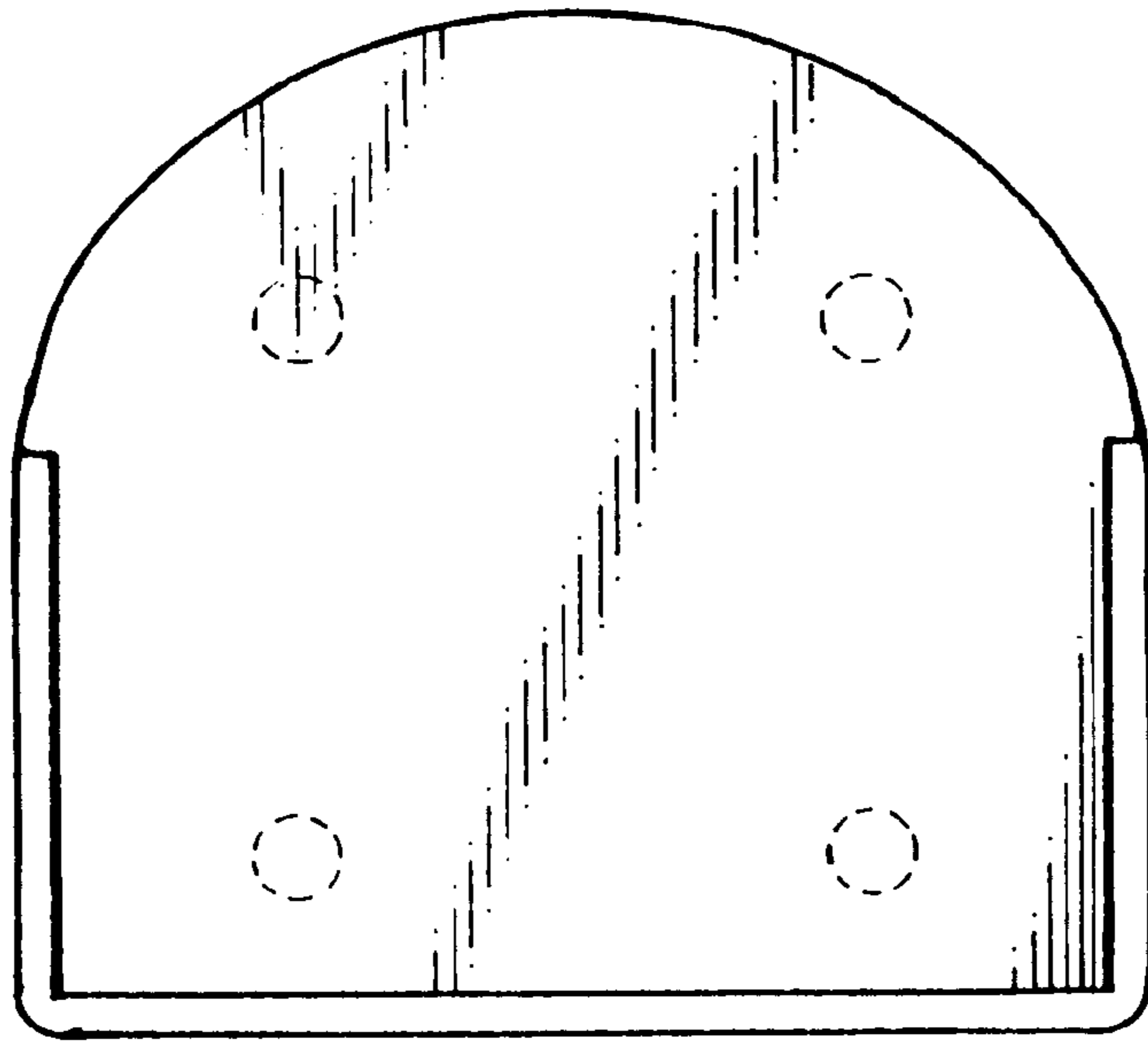


FIG 5

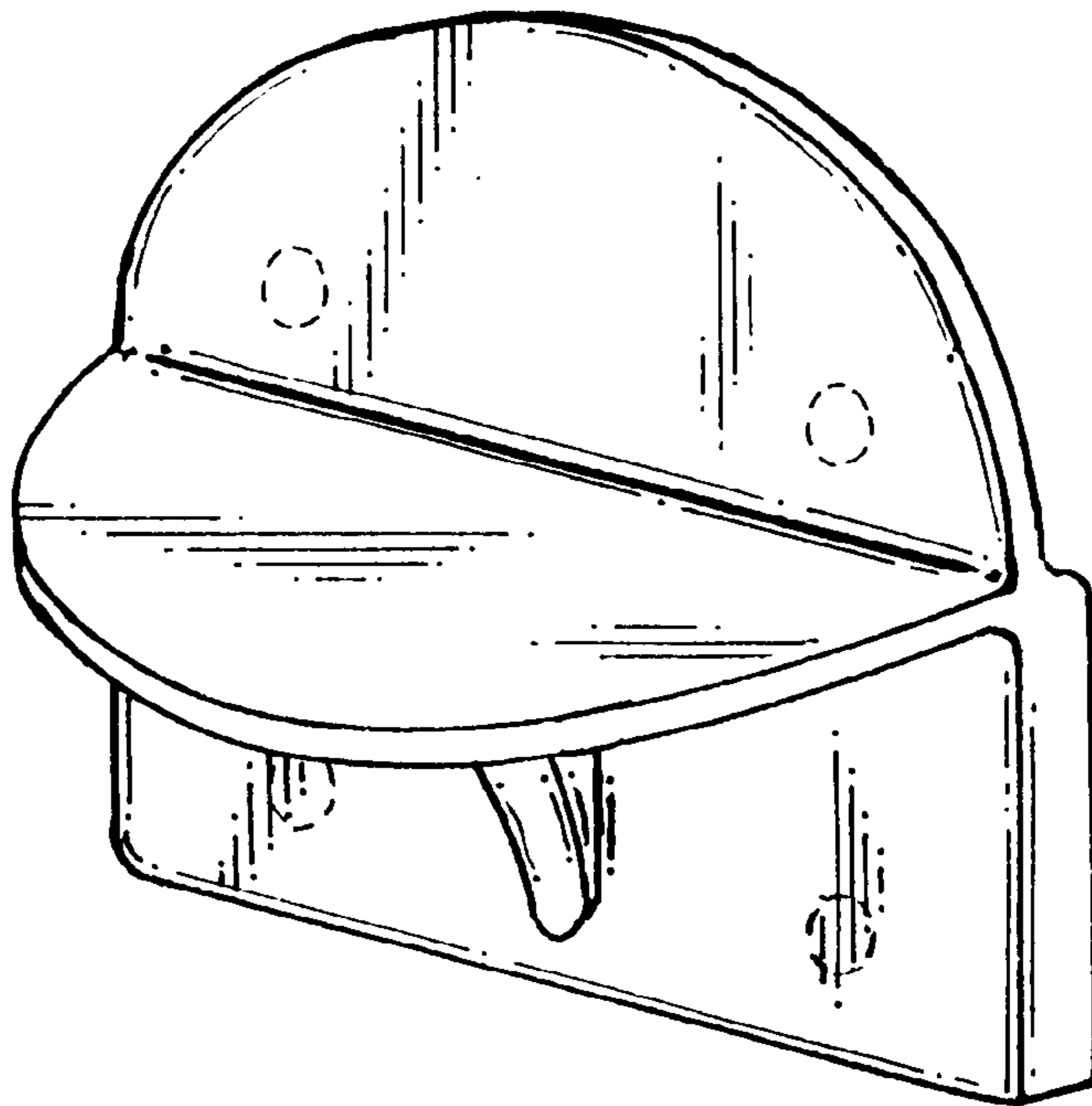


FIG 6

