



US00D419860S

**United States Patent** [19]  
**Persson**

[11] **Patent Number: Des. 419,860**  
[45] **Date of Patent: \*\* Feb. 1, 2000**

[54] **DESIGN FOR A PNEUMATIC COUPLING DEVICE**

[75] Inventor: **Christer Persson**, Skövde, Sweden

[73] Assignee: **Bo Nyberg**, Oberageri, Switzerland

[\*\*] Term: **14 Years**

[21] Appl. No.: **29/098,440**

[22] Filed: **Dec. 29, 1998**

[30] **Foreign Application Priority Data**

Jun. 30, 1998 [SE] Sweden ..... 98-1331

[51] **LOC (7) Cl.** ..... **08-08**

[52] **U.S. Cl.** ..... **D8/382**

[58] **Field of Search** ..... D8/382, 397, 399;  
411/42, 427, 403, 910

[56] **References Cited**

**U.S. PATENT DOCUMENTS**

D. 244,908	7/1977	Hatter et al.	.....	D8/397
D. 298,605	11/1988	Colgan et al.	.....	D8/397
4,143,579	3/1979	Ziaylek, Jr.	.....	411/42

**OTHER PUBLICATIONS**

Cherrymax Tooling catalog, p. 12, adapter located at right of page, Jan. 1982.

*Primary Examiner*—Holly Baynham  
*Attorney, Agent, or Firm*—Young & Thompson

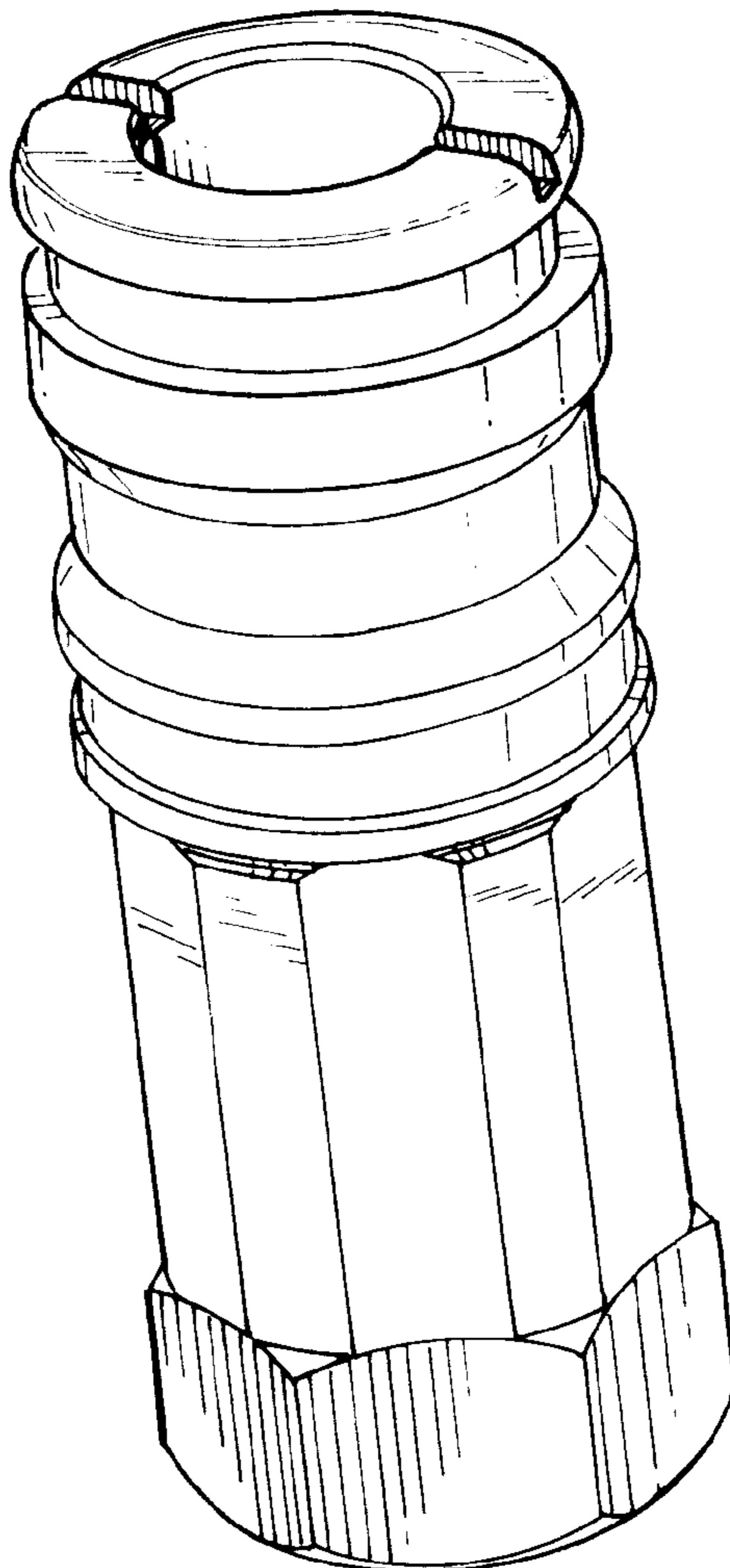
[57] **CLAIM**

The ornamental design for a pneumatic coupling device, as shown and described.

**DESCRIPTION**

FIG. 1 is a perspective view of a pneumatic coupling device, showing my new design;  
FIG. 2 is a perspective view thereof, seen from the opposite side of FIG. 1;  
FIG. 3 is a side elevational view thereof; the opposite side thereof is identical thereto;  
FIG. 4 is a side elevational view thereof, rotated 90° compared to FIG. 3; the opposite side thereof is identical thereto;  
FIG. 5 is an end view thereof; and,  
FIG. 6 is an end view shown from the opposite side of FIG. 5.

**1 Claim, 2 Drawing Sheets**



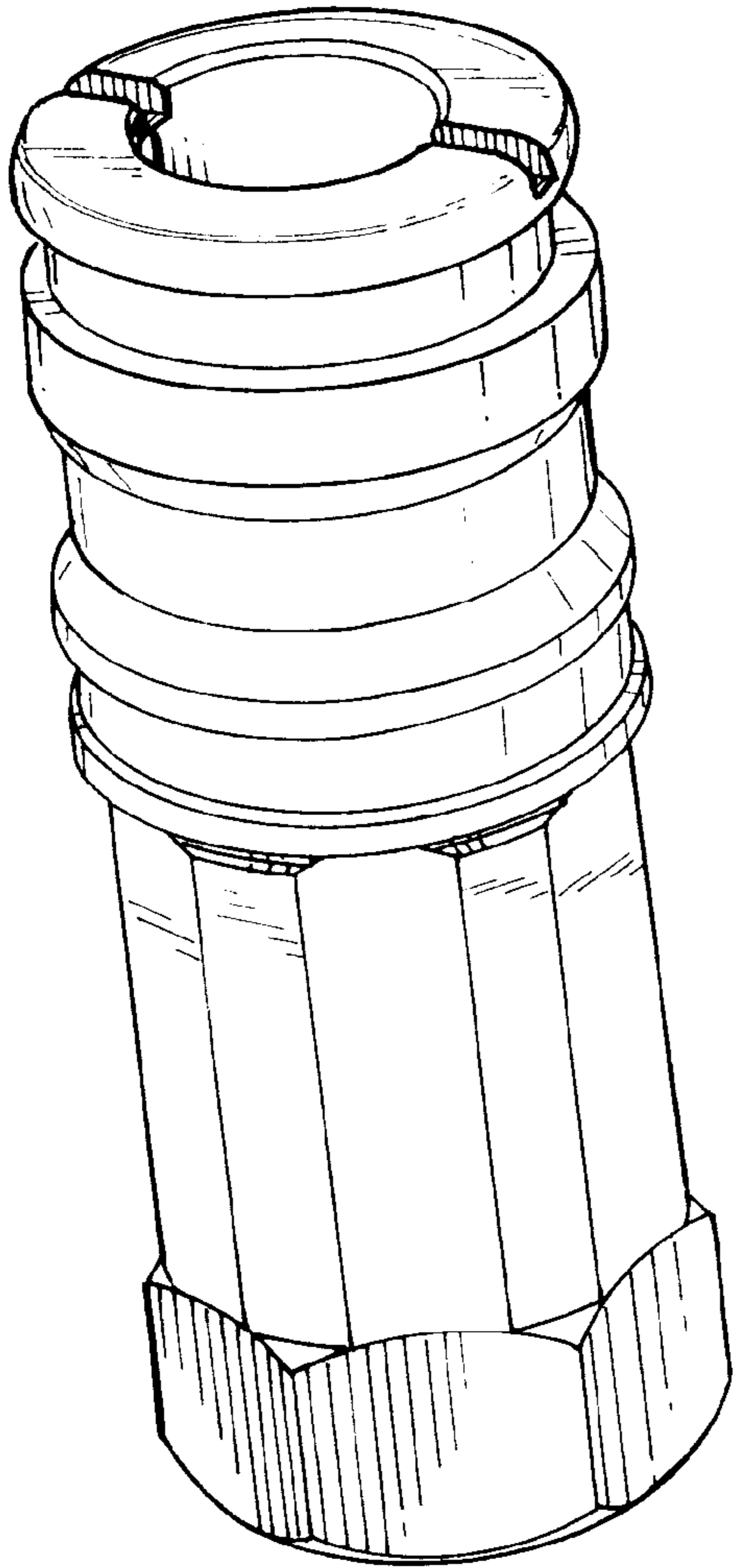


FIG. 1

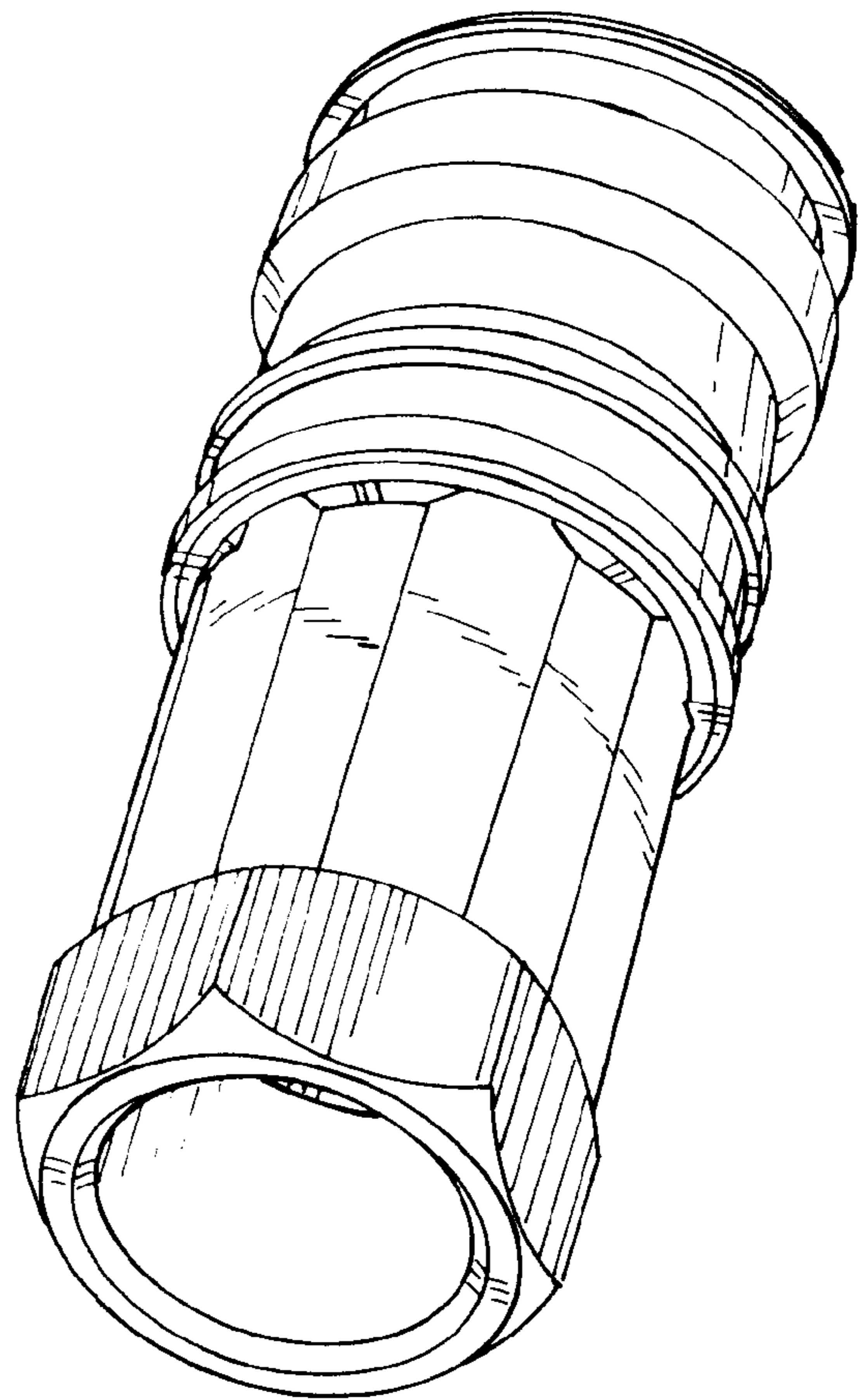


FIG. 2

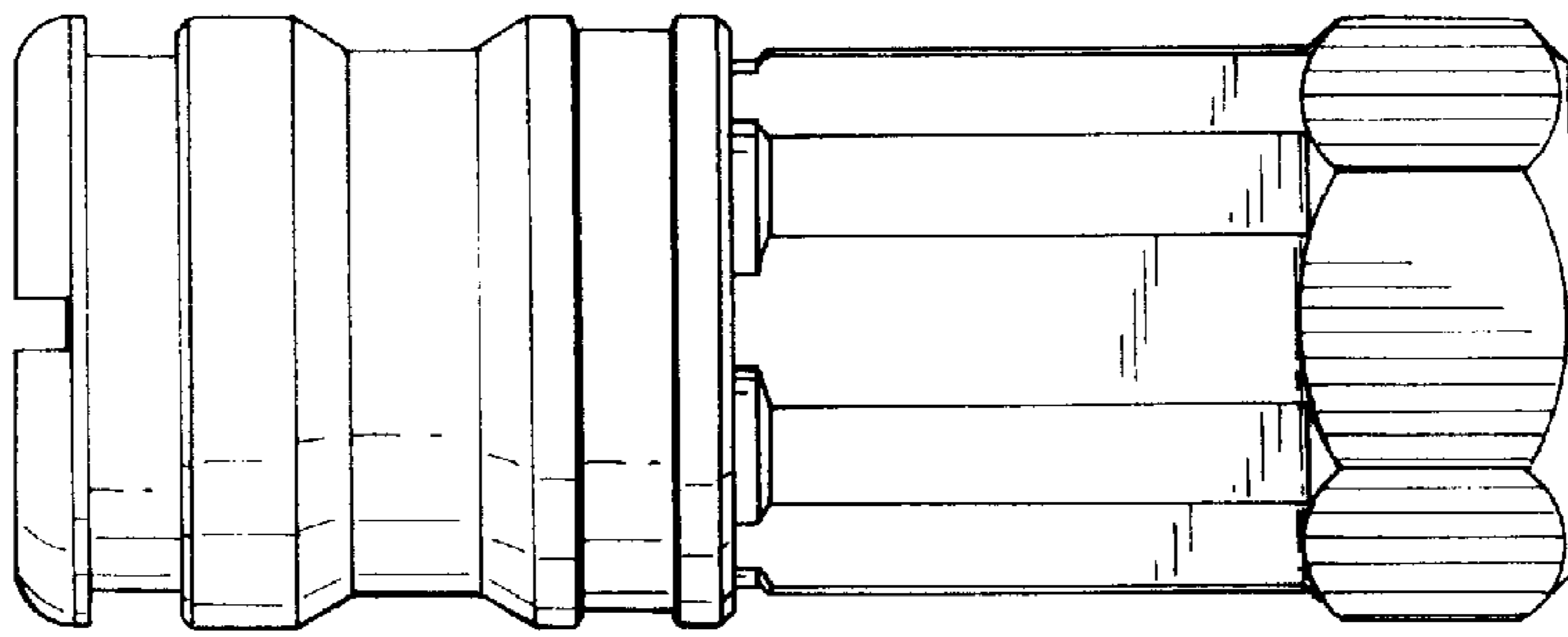


FIG. 3

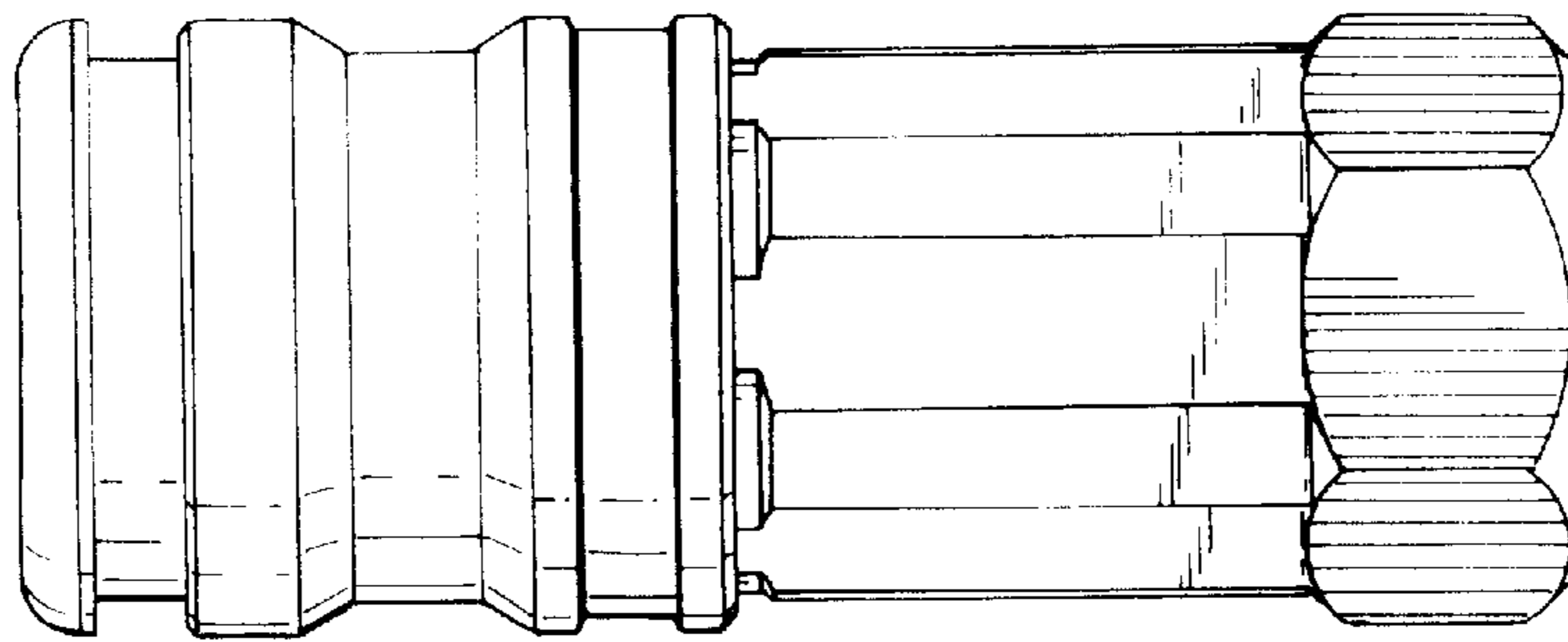


FIG. 4.

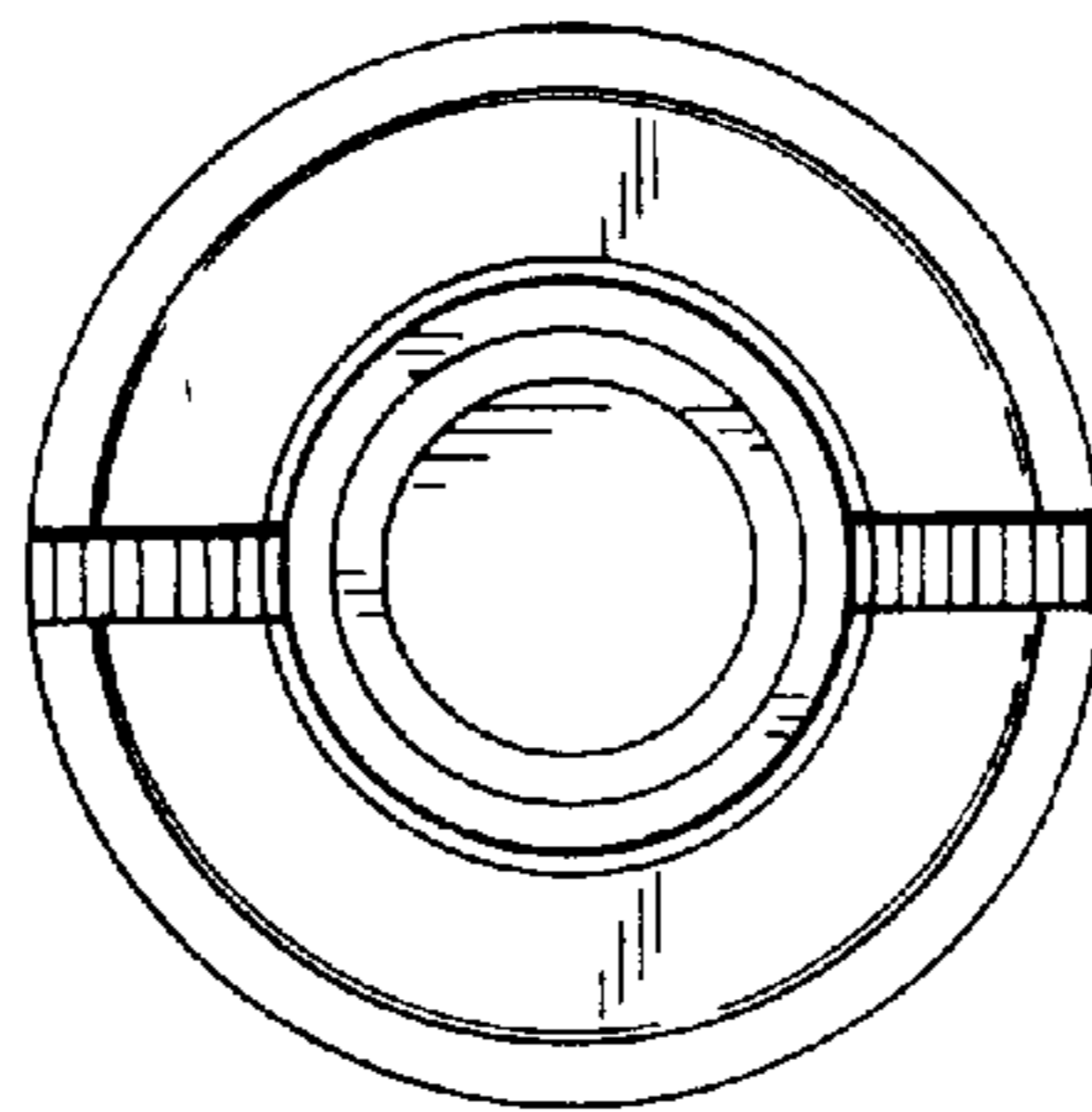


FIG. 5

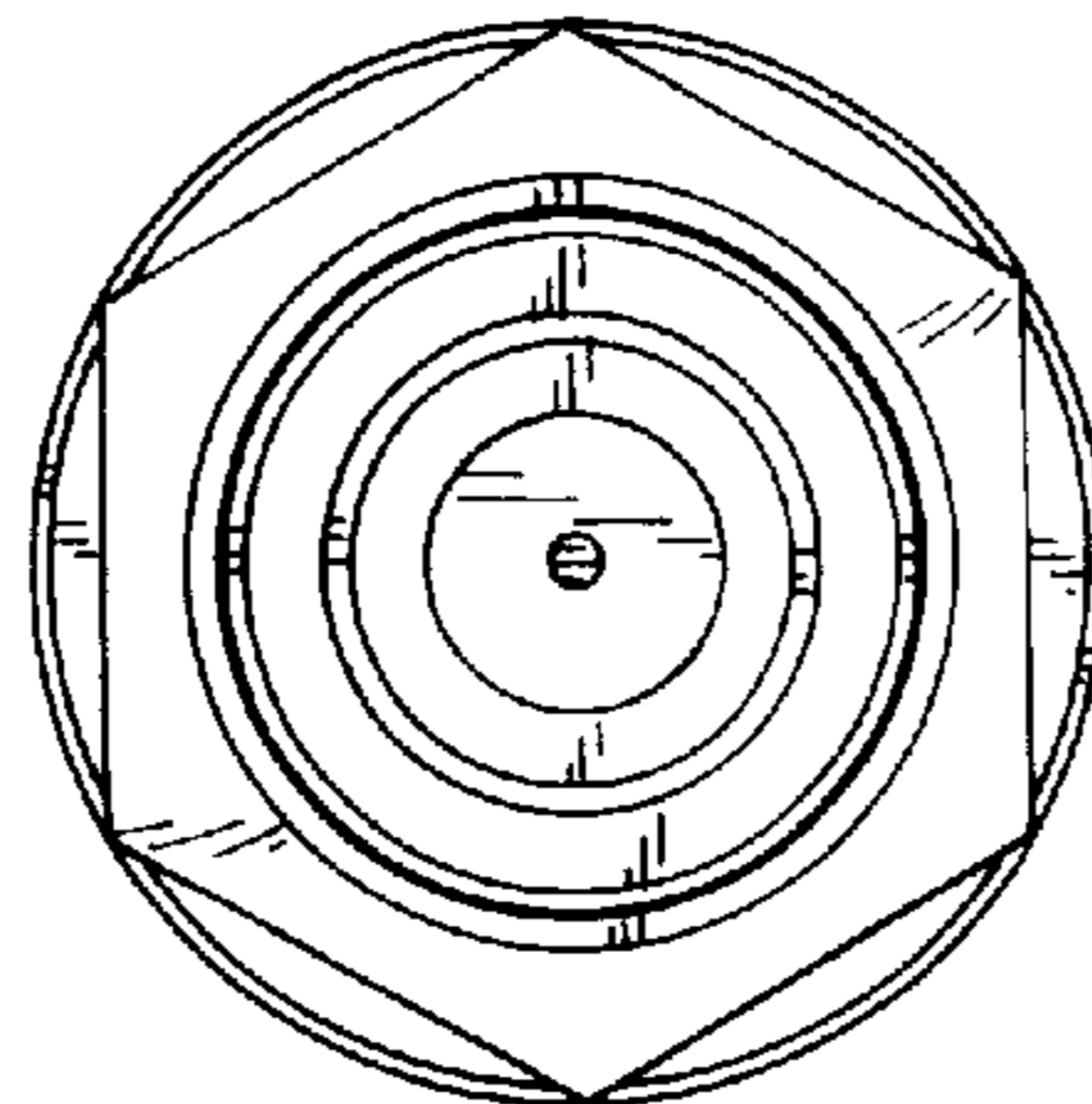


FIG. 6