



US00D419858S

United States Patent [19] Bosgoed

[11] **Patent Number: Des. 419,858**

[45] **Date of Patent: ** Feb. 1, 2000**

[54] **CURTAIN RAIL**

[75] Inventor: **Henricus W. F. Bosgoed**, Schalkhaar, Netherlands

[73] Assignee: **Forest Group Nederland B.V.**, El Deventer, Netherlands

[**] Term: **14 Years**

[21] Appl. No.: **29/092,840**

[22] Filed: **Aug. 27, 1998**

[51] **LOC (7) Cl.** **08-05**

[52] **U.S. Cl.** **D8/377; D25/121**

[58] **Field of Search** **D8/377, 376; D25/119, D25/121-123; 16/94 R, 96 R, 960**

[56] **References Cited**

U.S. PATENT DOCUMENTS

D. 29,669	11/1898	Brengel	D8/377
D. 189,447	12/1960	Attwood	D25/121
D. 220,566	4/1971	Weeks	D25/119
D. 251,451	3/1979	Toder	D25/121

D. 370,205	5/1996	Collins	D25/121 X
2,732,919	1/1956	Johnson, Jr.	16/90 X

Primary Examiner—Holly Baynham
Attorney, Agent, or Firm—Larson & Taylor

[57] **CLAIM**

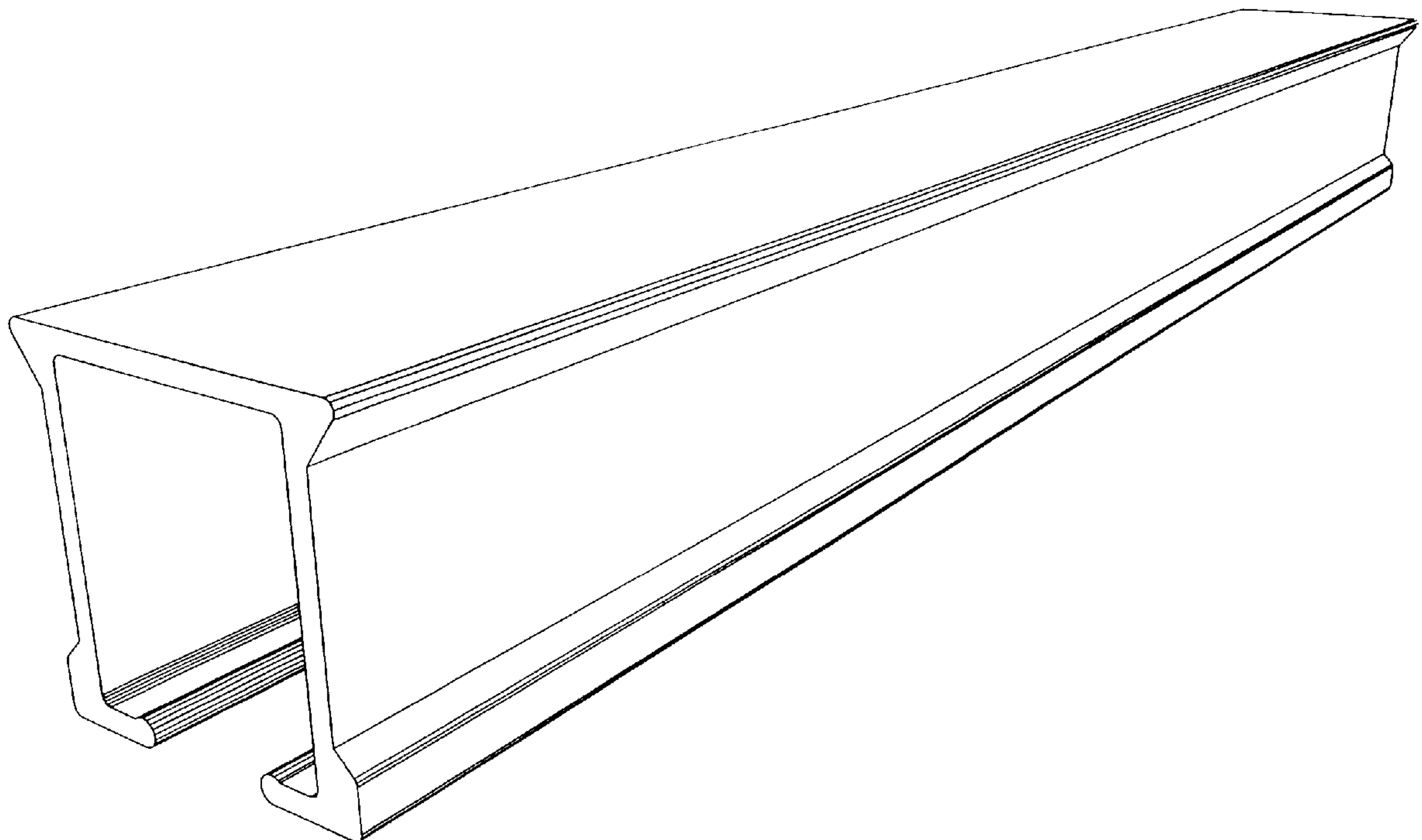
The ornamental design for a curtain rail, as shown and described.

DESCRIPTION

FIG. 1 is a front perspective view of the curtain rail embodying my new design;
FIG. 2 is a end elevation view of the curtain rail depicted in FIG. 1;
FIG. 3 is a top plan view of the curtain rail depicted in FIG. 1;
FIG. 4 is a front view of the curtain rail depicted in FIG. 1; and,
FIG. 5 is a bottom view of the curtain rail depicted in FIG. 1.

The claimed design is shown broken away in FIGS. 3-5 for ease of illustration.

1 Claim, 2 Drawing Sheets



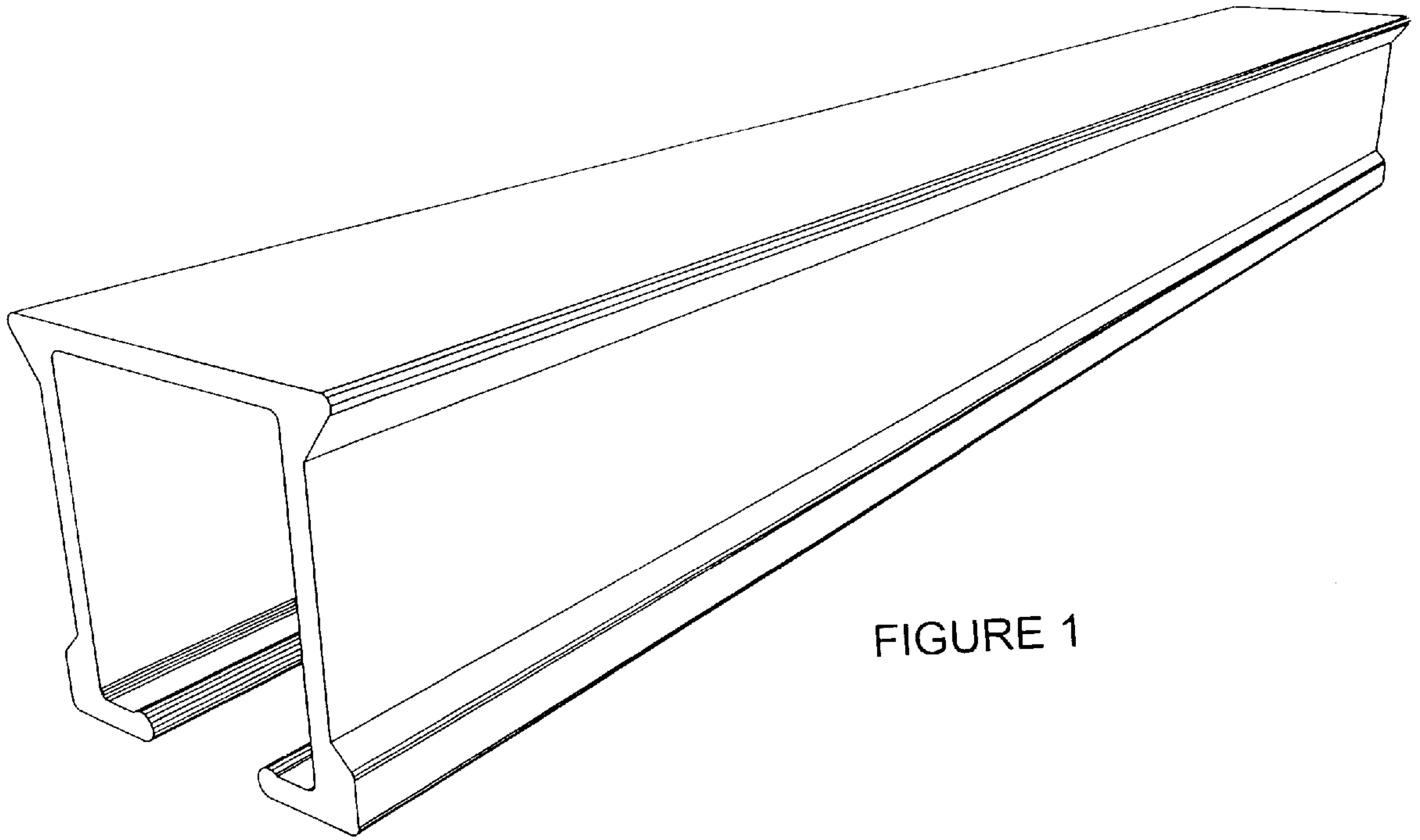


FIGURE 1

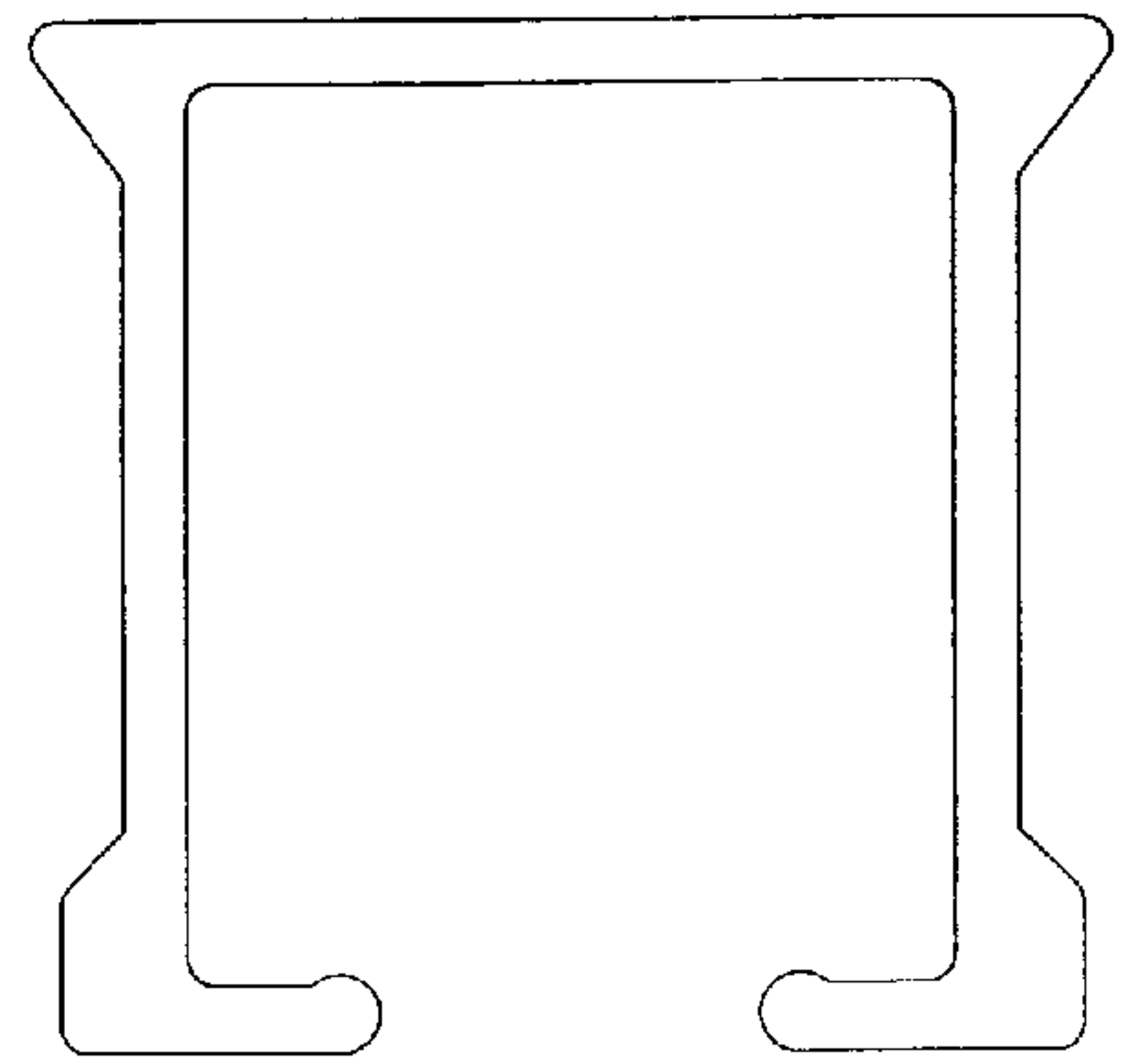


FIGURE 2

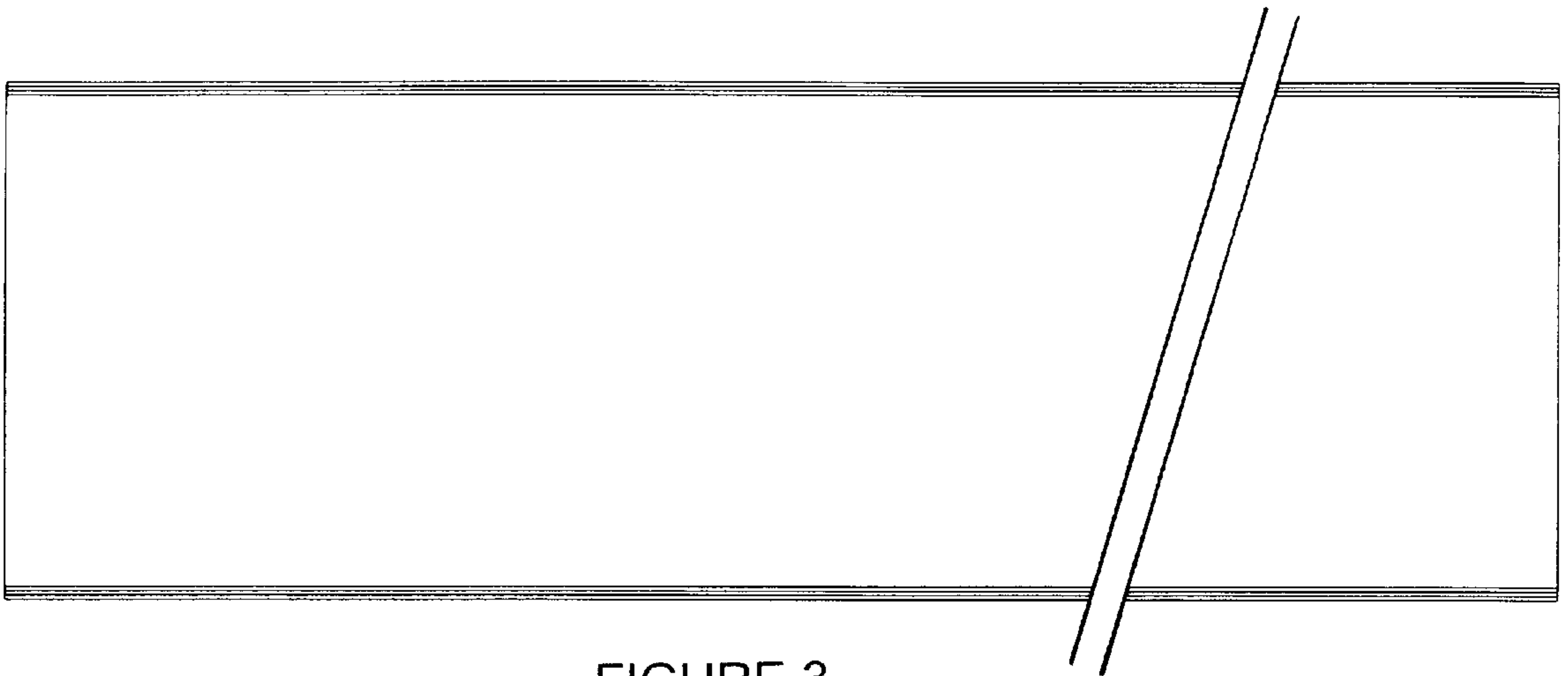


FIGURE 3



FIGURE 4

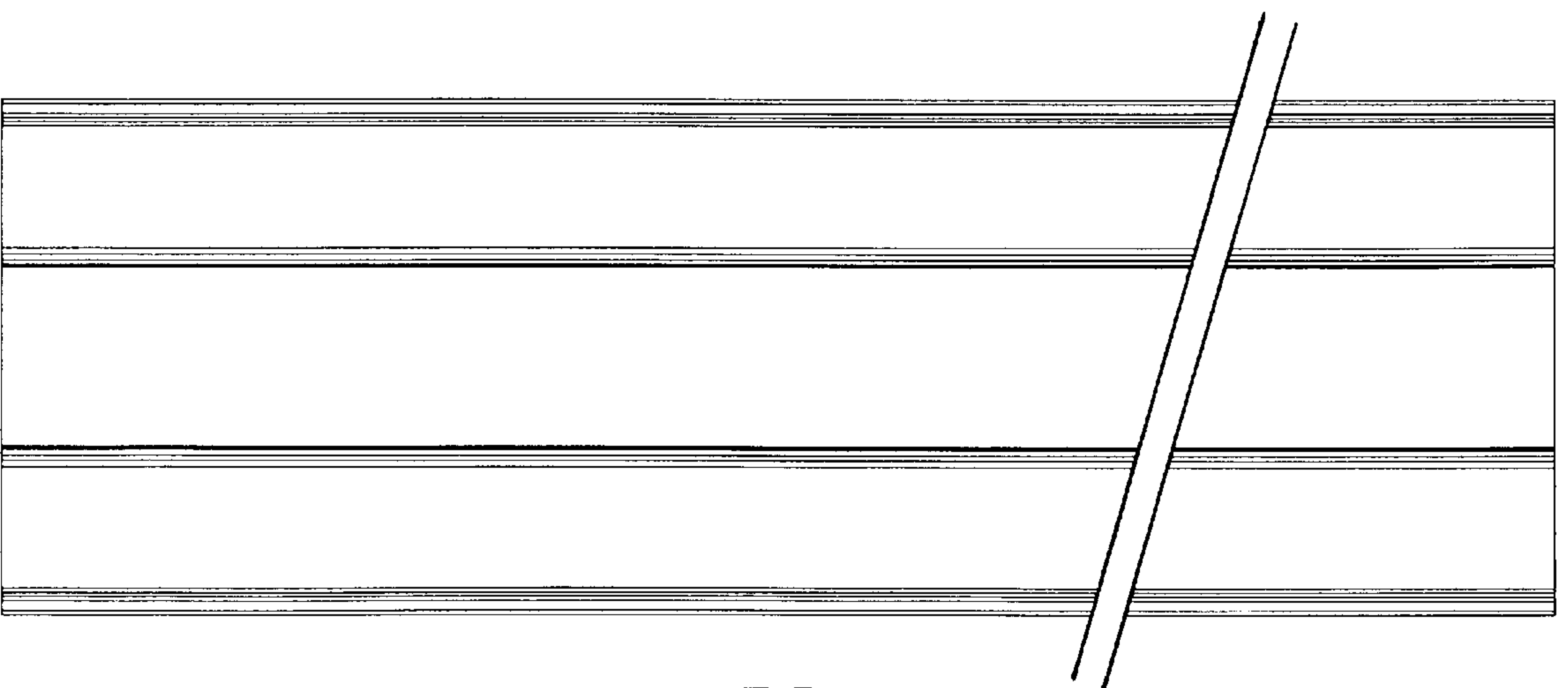


FIGURE 5