



US00D419856S

United States Patent [19]
Richter

[11] **Patent Number: Des. 419,856**
[45] **Date of Patent: ** Feb. 1, 2000**

[54] **ATTACHMENT HOOK FOR PROTECTIVE
AUTO TRANSPORT COVER**

DESCRIPTION

[76] Inventor: **Herbert Richter**, Drosselweg 8, 75331
Engelbrand, Germany

[**] Term: **14 Years**

[21] Appl. No.: **29/096,863**

[22] Filed: **Nov. 23, 1998**

[51] **LOC (7) Cl.** **08-05**

[52] **U.S. Cl.** **D8/367**

[58] **Field of Search** D8/367; 248/301,
248/304, 499, 339; 24/65, 68 CD

[56] **References Cited**

U.S. PATENT DOCUMENTS

- D. 243,441 2/1977 Podd D8/367
- D. 375,673 11/1996 Schowalter D8/367

Primary Examiner—Holly Baynham
Attorney, Agent, or Firm—Klaus J. Bach

[57] **CLAIM**

The ornamental design of an attachment hook for protective auto transport cover, as shown and described.

FIG. 1 is a perspective view of the attachment hook for protective auto transport cover;

FIG. 2 is a side view of the attachment hook for protective auto transport cover shown in FIG. 1;

FIG. 3 is a right side end view of the attachment hook for protective auto transport cover shown in FIG. 2;

FIG. 4 is a bottom view of the attachment hook for protective auto transport cover shown in FIG. 2;

FIG. 5 is a top view of the attachment hook for protective auto transport cover shown in FIG. 2;

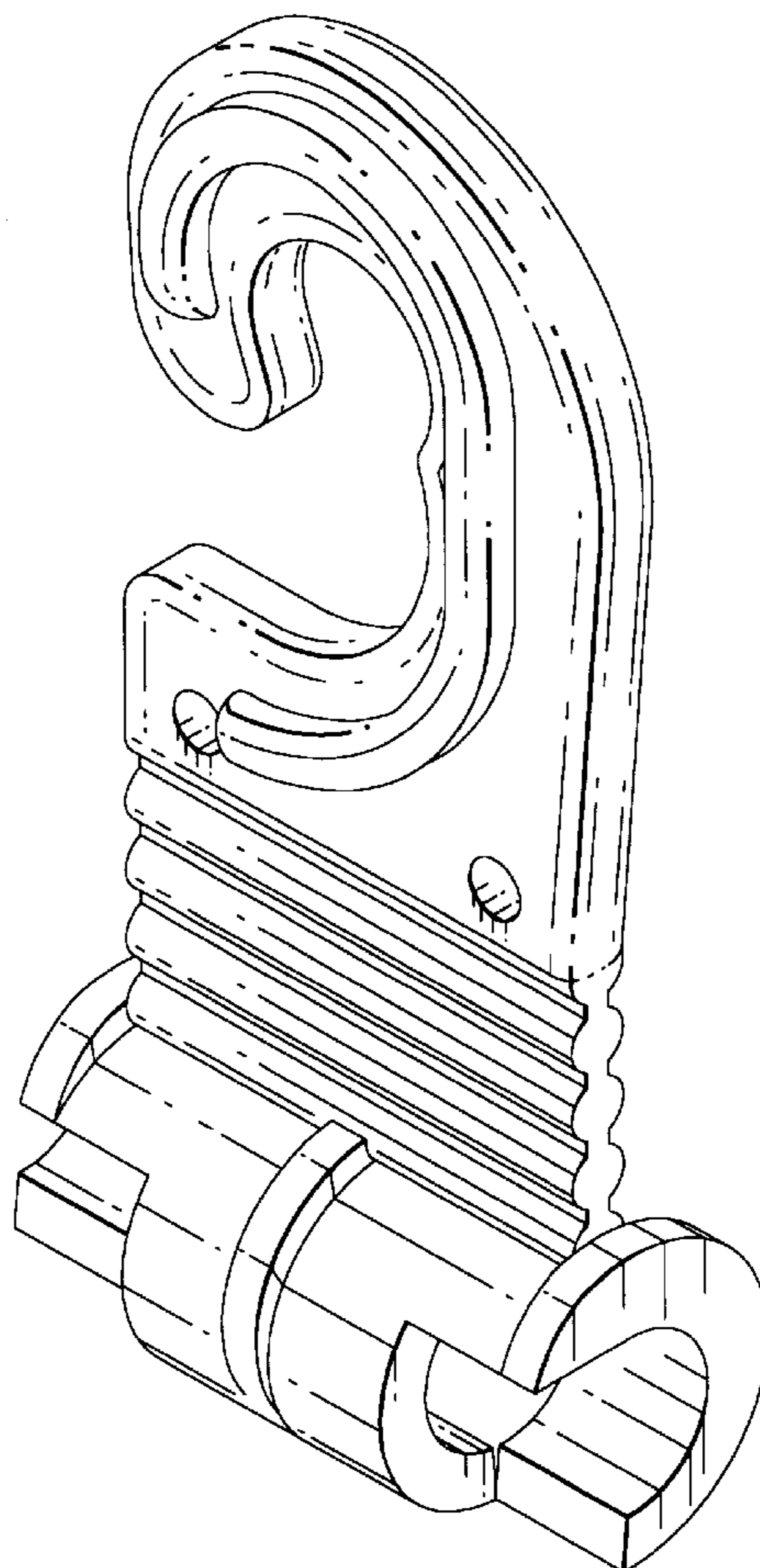
FIG. 6 is rear side view of the attachment hook for protective auto transport cover shown in FIG. 2;

FIG. 7 is a left side end view of the attachment hook for protective auto transport cover shown in FIG. 2; and,

FIG. 8 is a reduced, environmental view of an attachment hook for protective auto transport cover.

The broken line showing of an auto transport cover and additional hooks is for illustrative purposes only and forms no part of the claimed design.

1 Claim, 4 Drawing Sheets



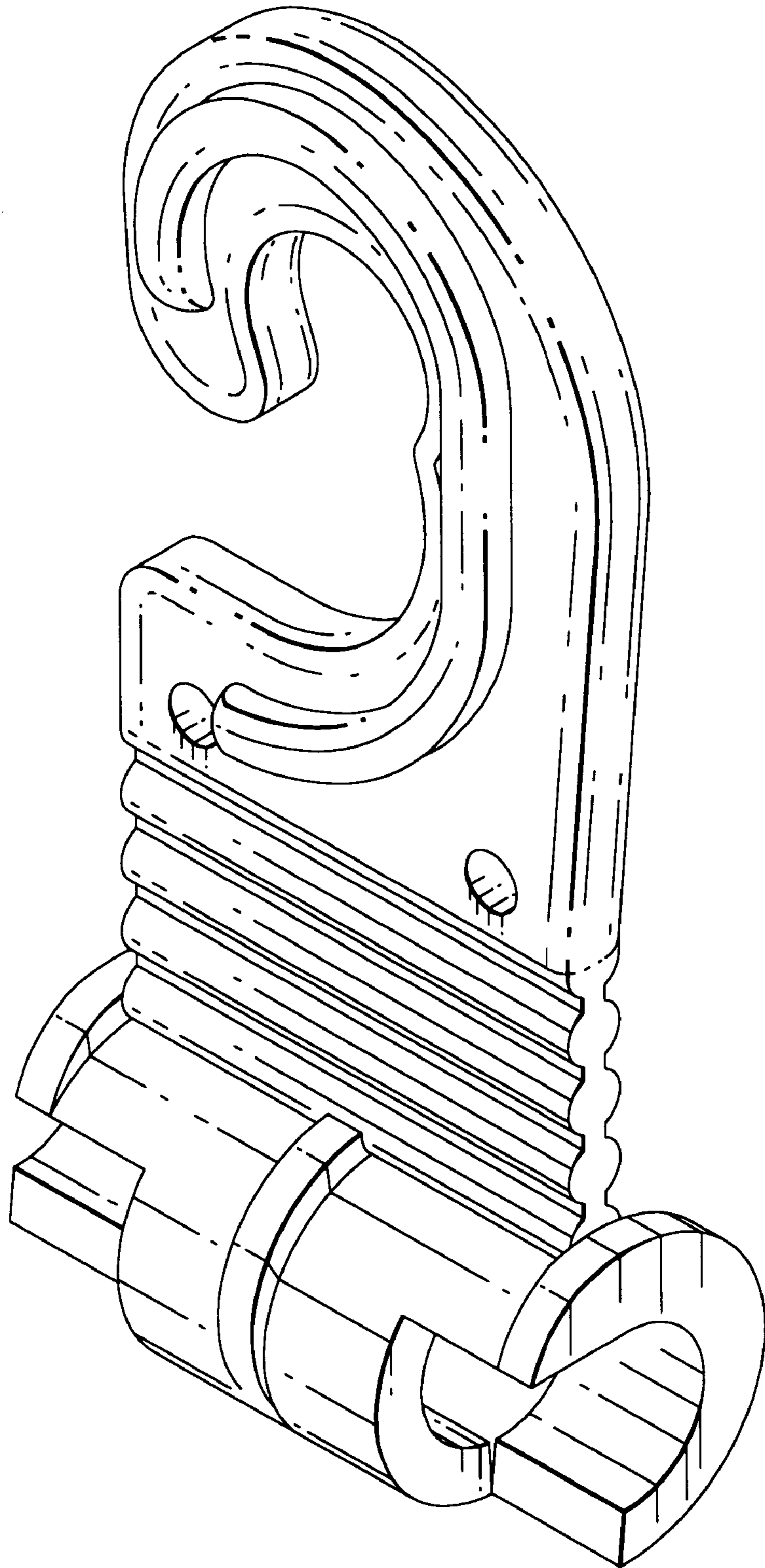


FIG. 1

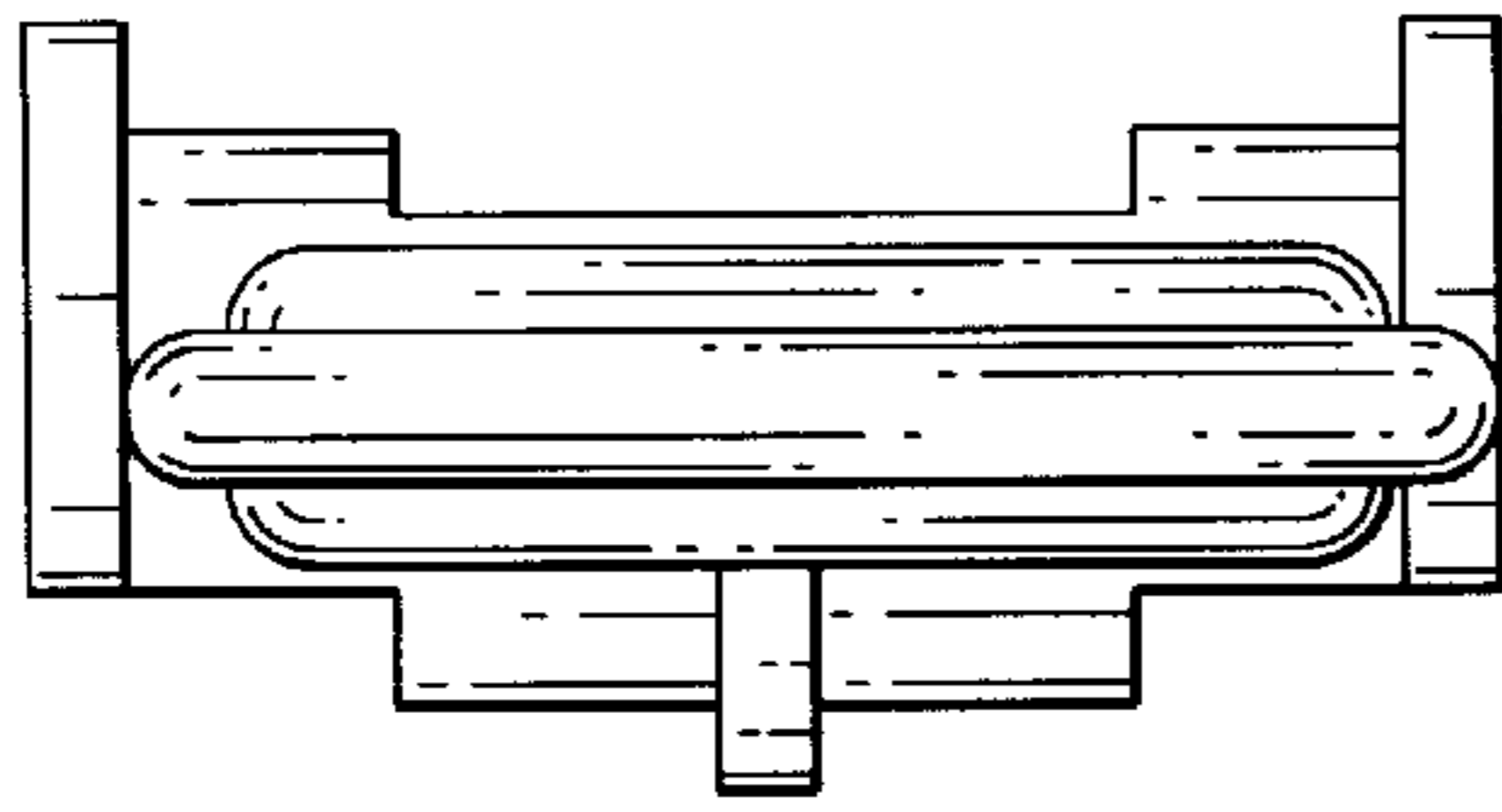


FIG. 5

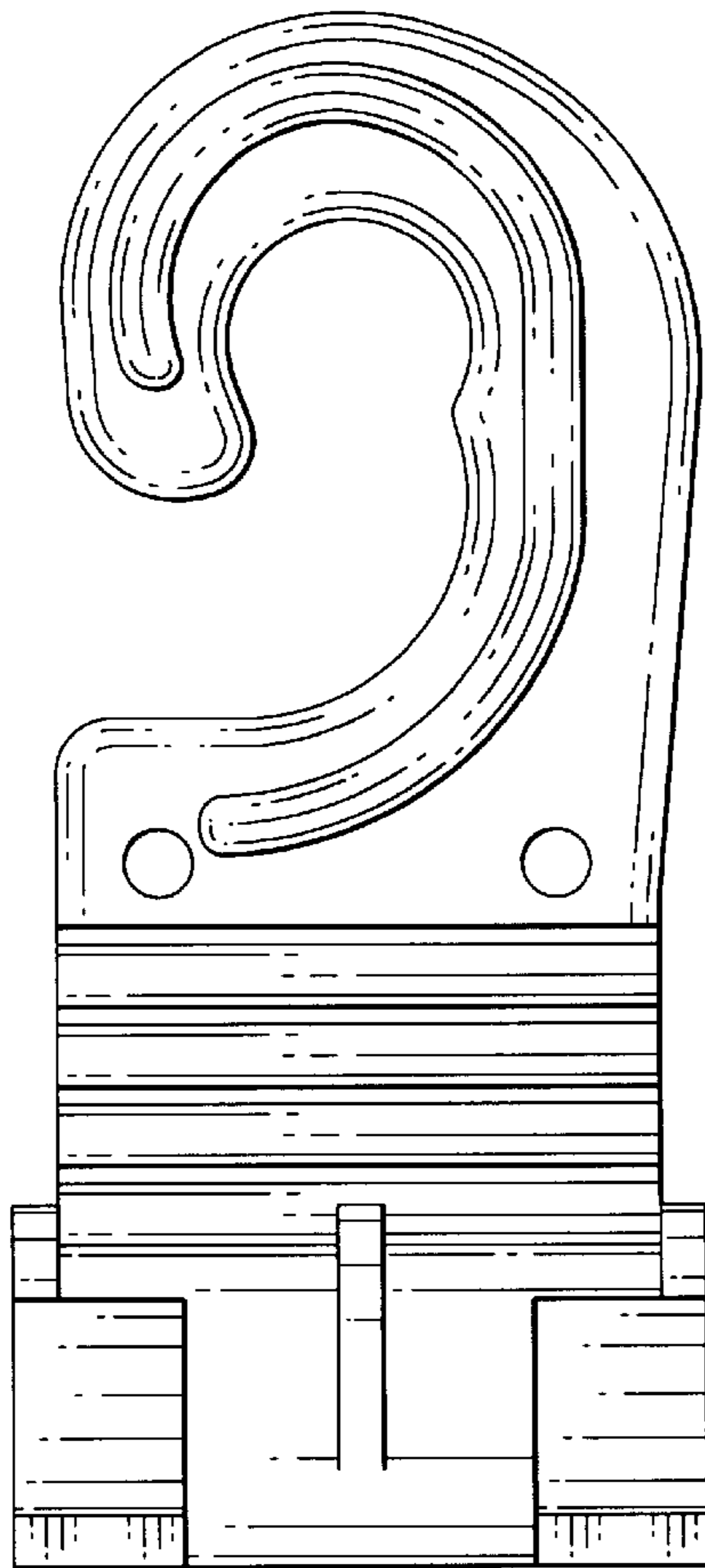


FIG. 2

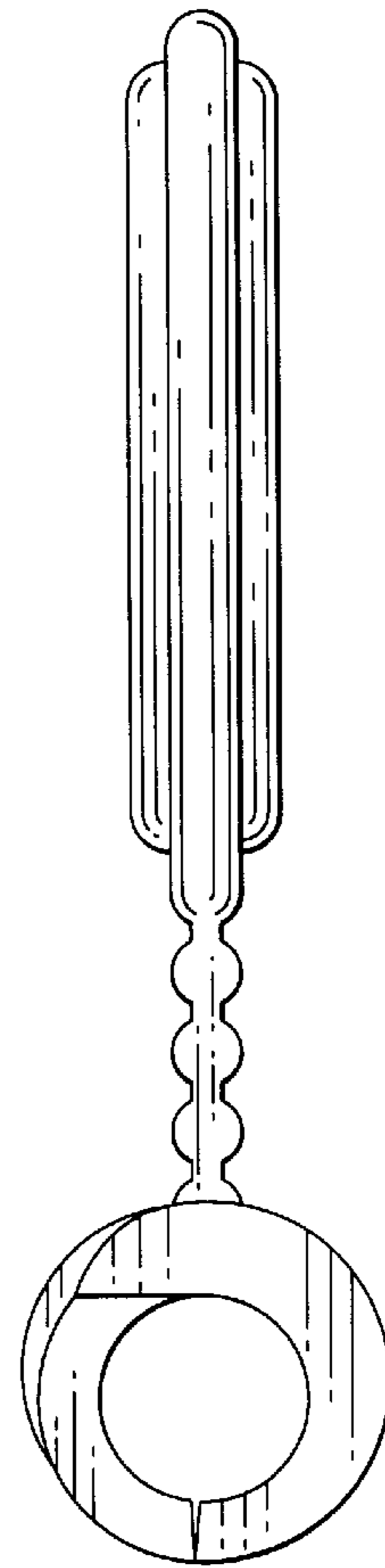


FIG. 3

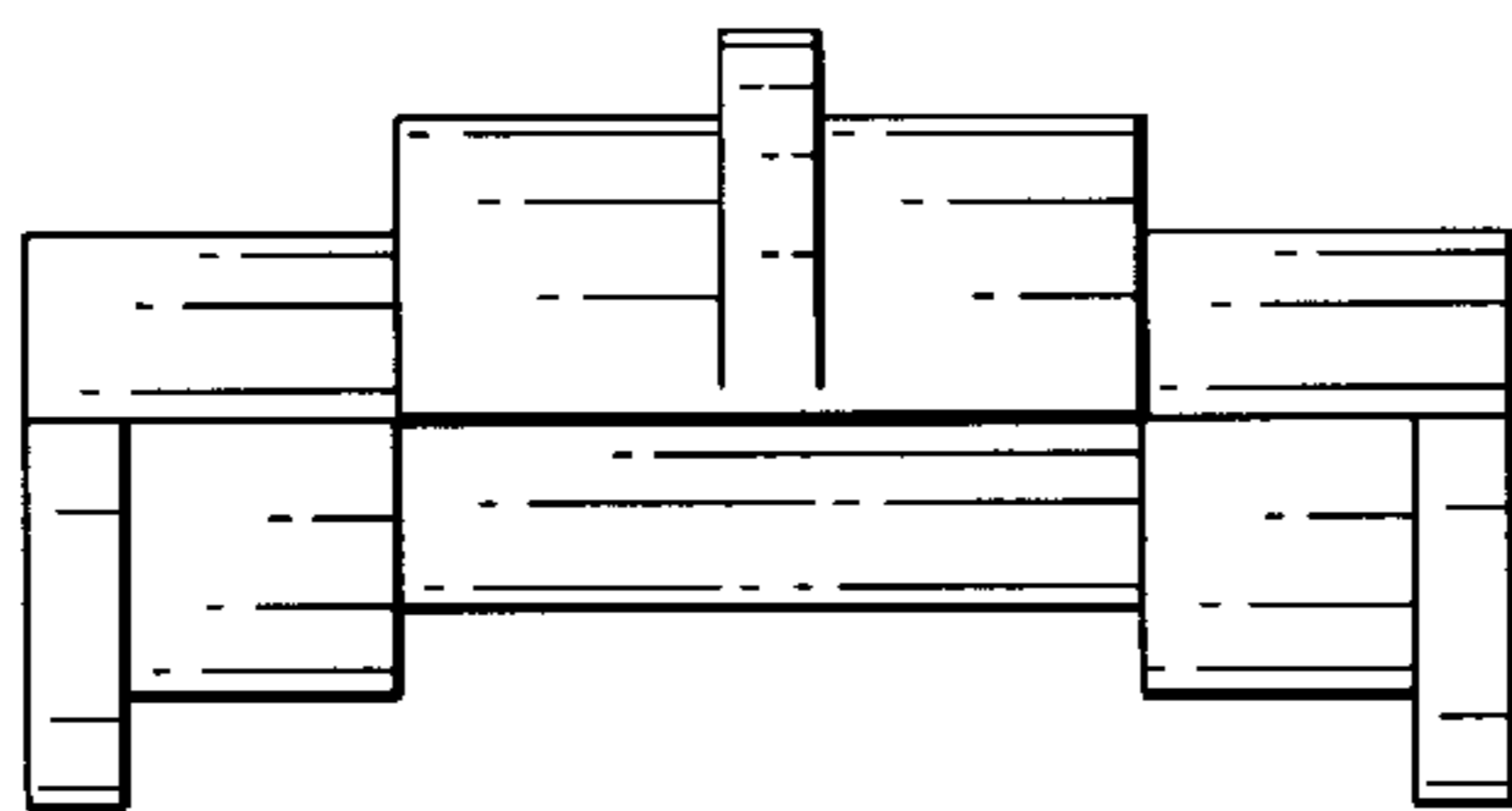


FIG. 4

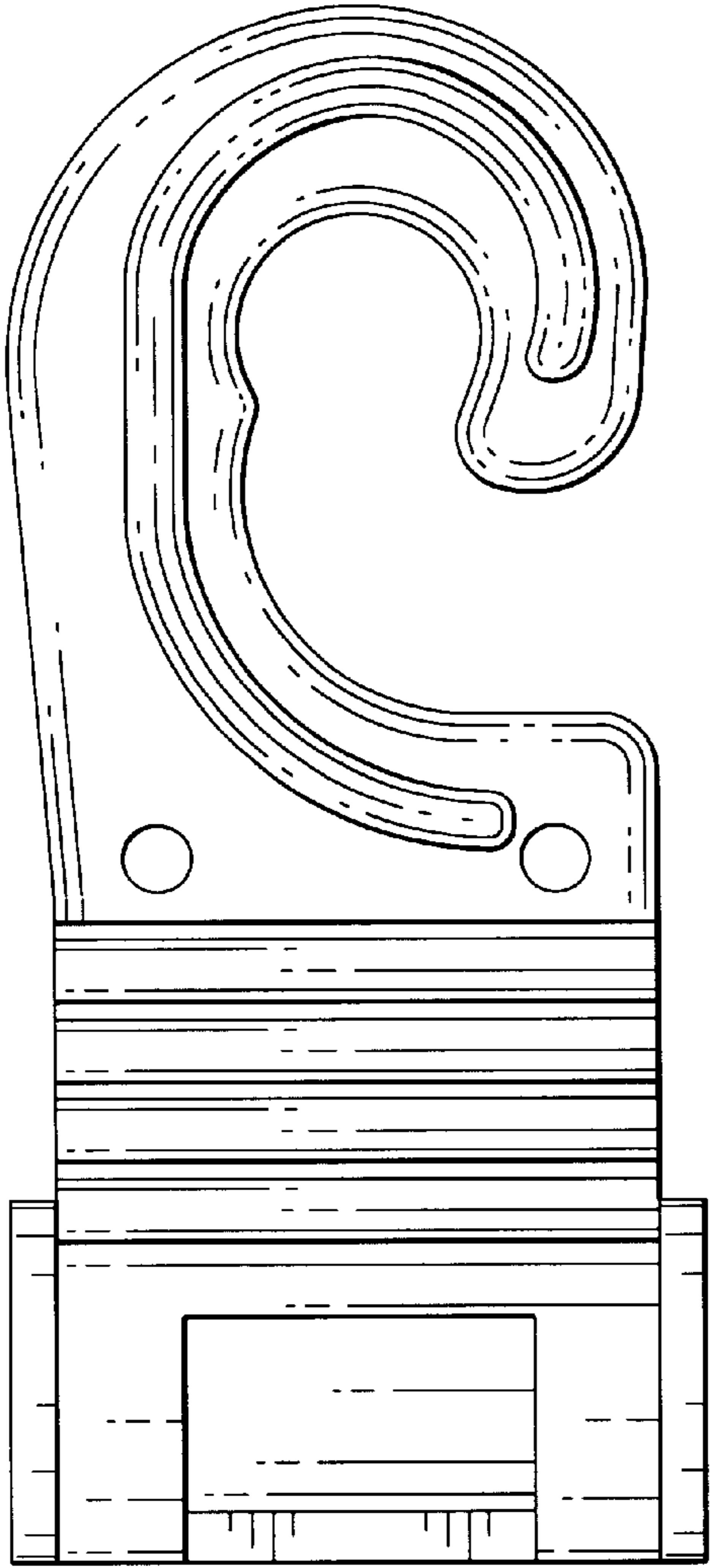


FIG. 6

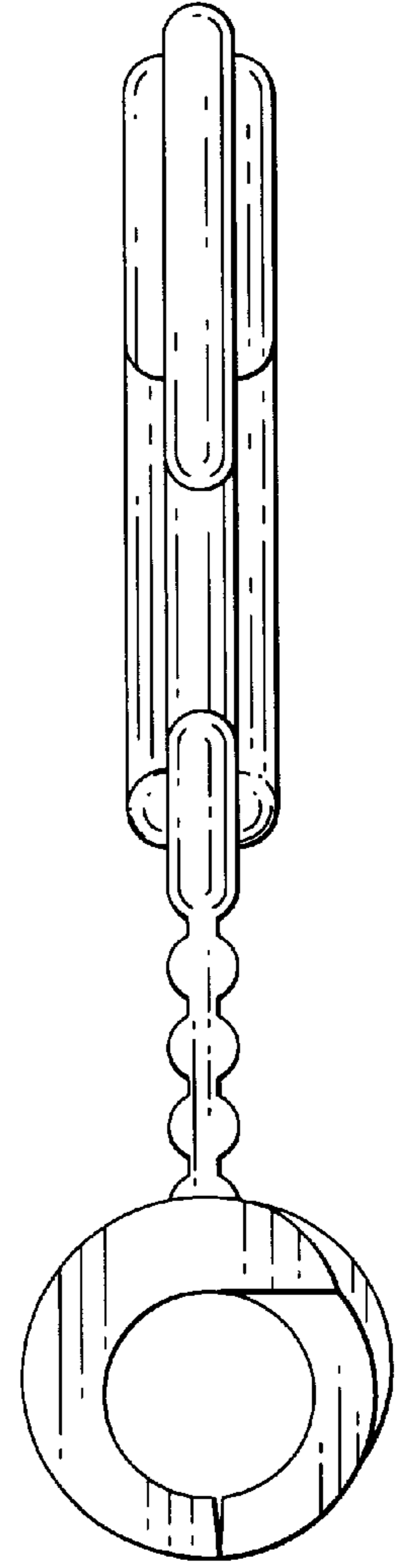


FIG. 7

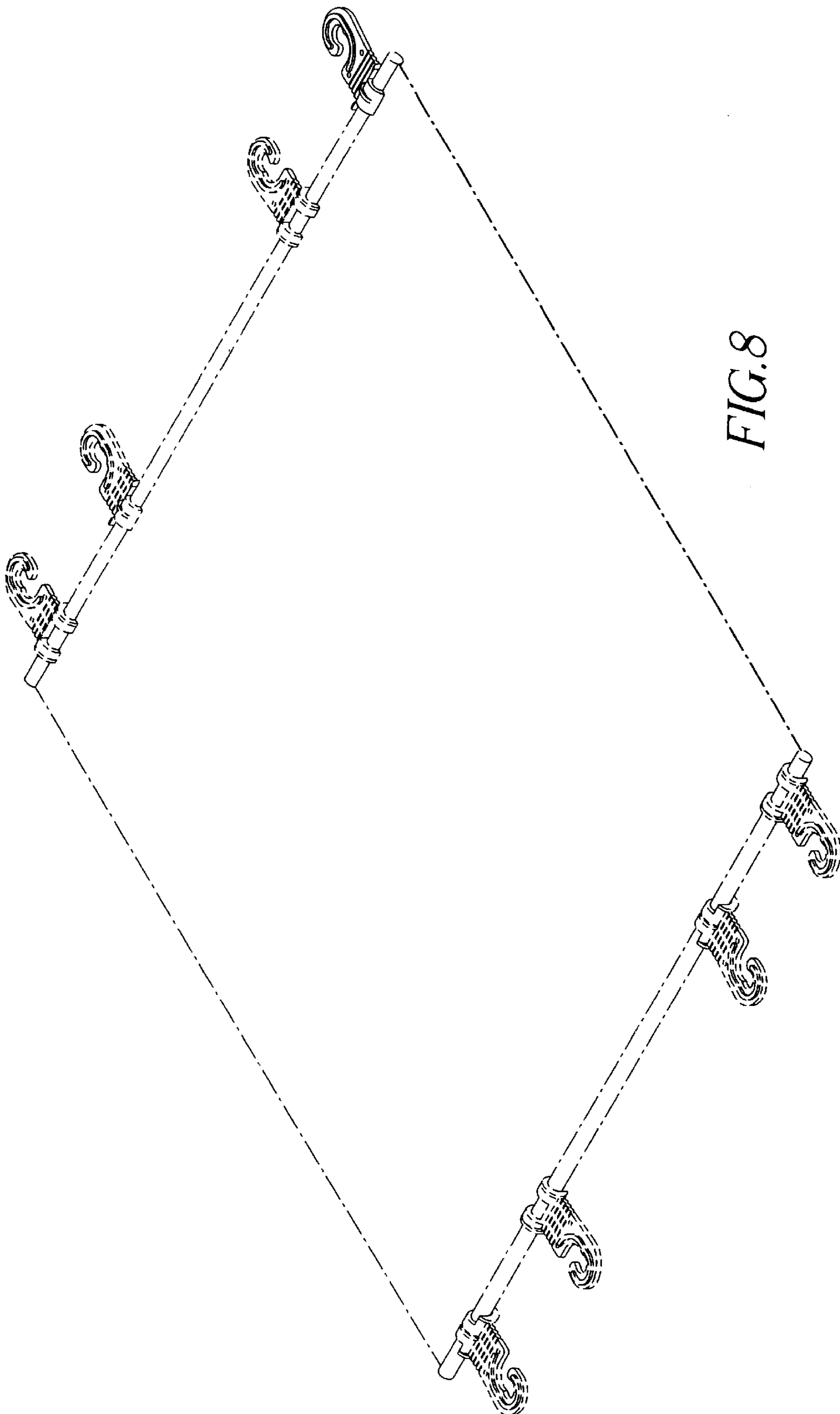


FIG. 8