



US00D419853S

United States Patent [19]

Workman et al.

[11] Patent Number: **Des. 419,853**

[45] Date of Patent: **** Feb. 1, 2000**

[54] **HANDLE AND HANDLE BASE FOR LUGGAGE**

[75] Inventors: **David E. Workman**, Princeton; **Timm John Fenton**, Lebanon, both of N.J.

[73] Assignee: **Tumi, Inc.**, Middlesex, N.J.

[**] Term: **14 Years**

[21] Appl. No.: **29/084,470**

[22] Filed: **Mar. 3, 1998**

[51] **LOC (7) Cl.** **08-06**

[52] **U.S. Cl.** **D8/317**

[58] **Field of Search** D8/315-320; 16/110 R, 16/111 R, 125; 190/115-118; D3/276, 291

[56] **References Cited**

U.S. PATENT DOCUMENTS

- D. 216,076 11/1969 Marks .
- D. 360,526 7/1995 Rencato D3/276
- 1,808,890 6/1931 Grant .
- 3,009,551 11/1961 Kotkins .
- 4,782,556 11/1988 Kim 16/125

5,630,488 5/1997 Chen 190/115

Primary Examiner—B. J. Bullock
Attorney, Agent, or Firm—Baker & Botts, L.L.P.

[57] **CLAIM**

The ornamental design for a handle and handle base for luggage, as shown and described.

DESCRIPTION

FIG. 1 is a pictorial view from above and in front of the handle and handle base for luggage according to our new design;

FIG. 2 is a front elevational view thereof, the rear being identical;

FIG. 3 is a right side elevational view thereof, the left side being a mirror image;

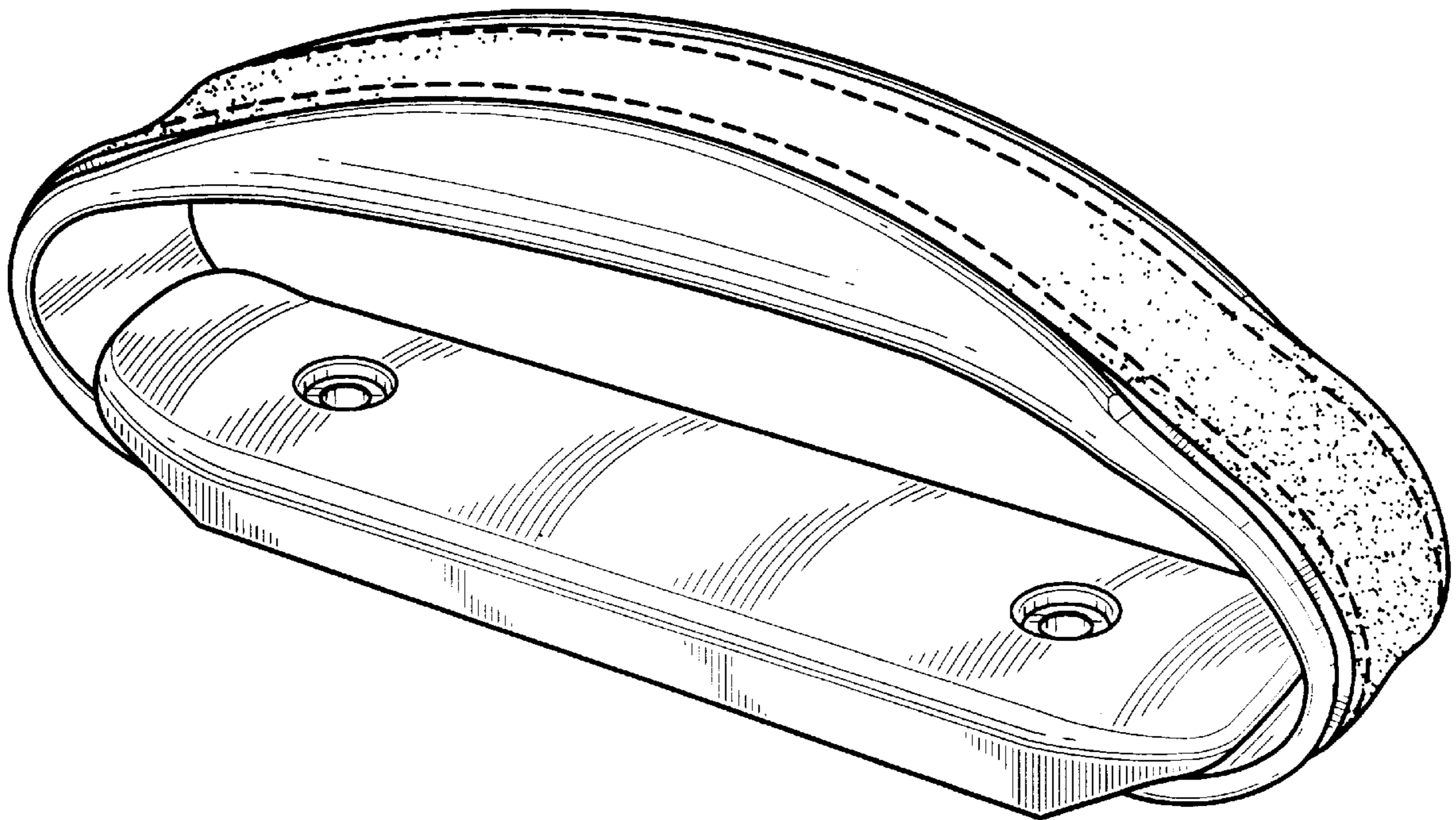
FIG. 4 is a top plan view thereof;

FIG. 5 is a cross-sectional view taken on line 5—5 of FIG. 2;

FIG. 6 is a cross-sectional view taken on line 6—6 of FIG. 2; and,

FIG. 7 is a cross-sectional view taken in the direction of the arrows on line 7—7 FIG. 2.

1 Claim, 2 Drawing Sheets



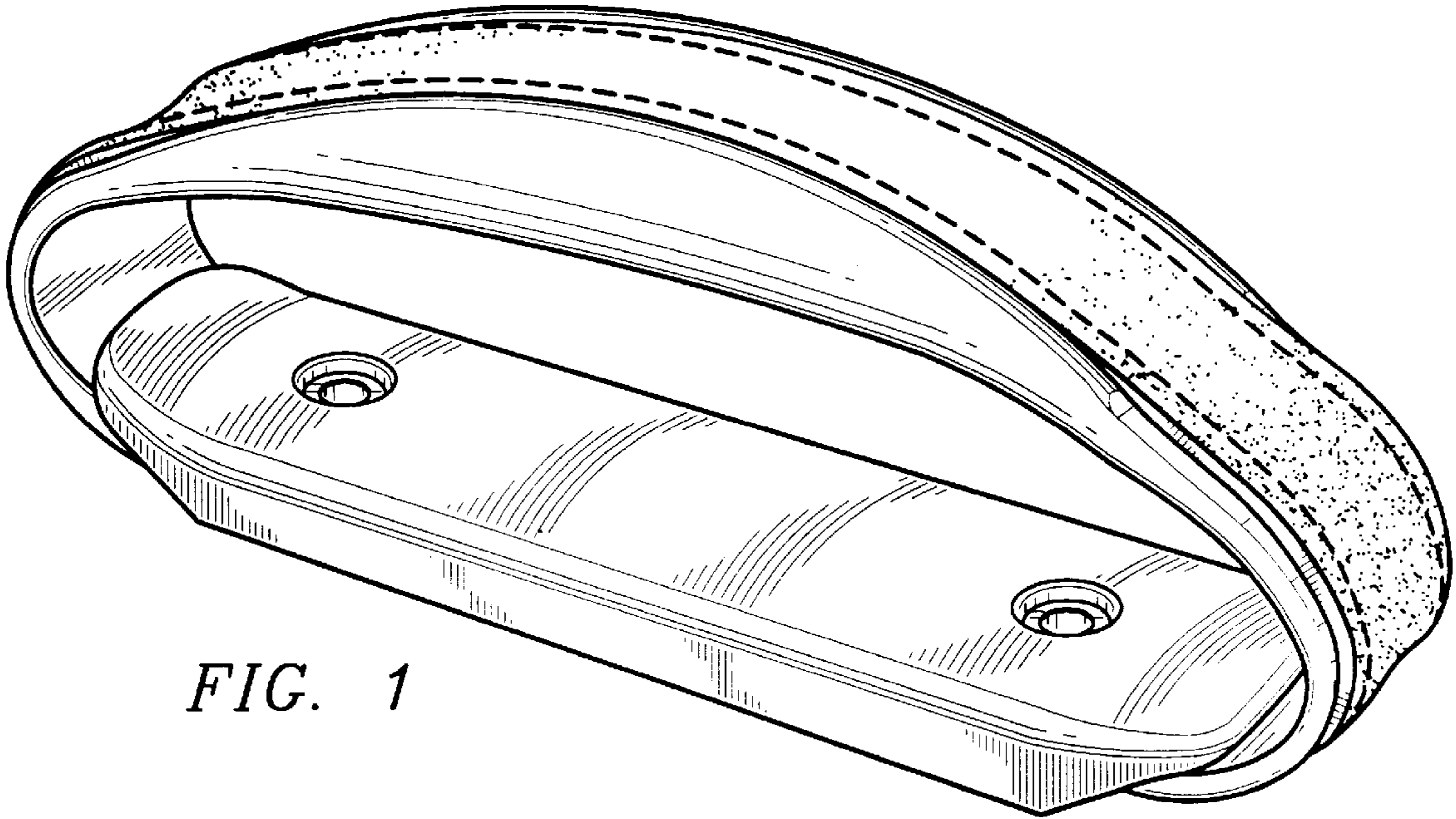


FIG. 1

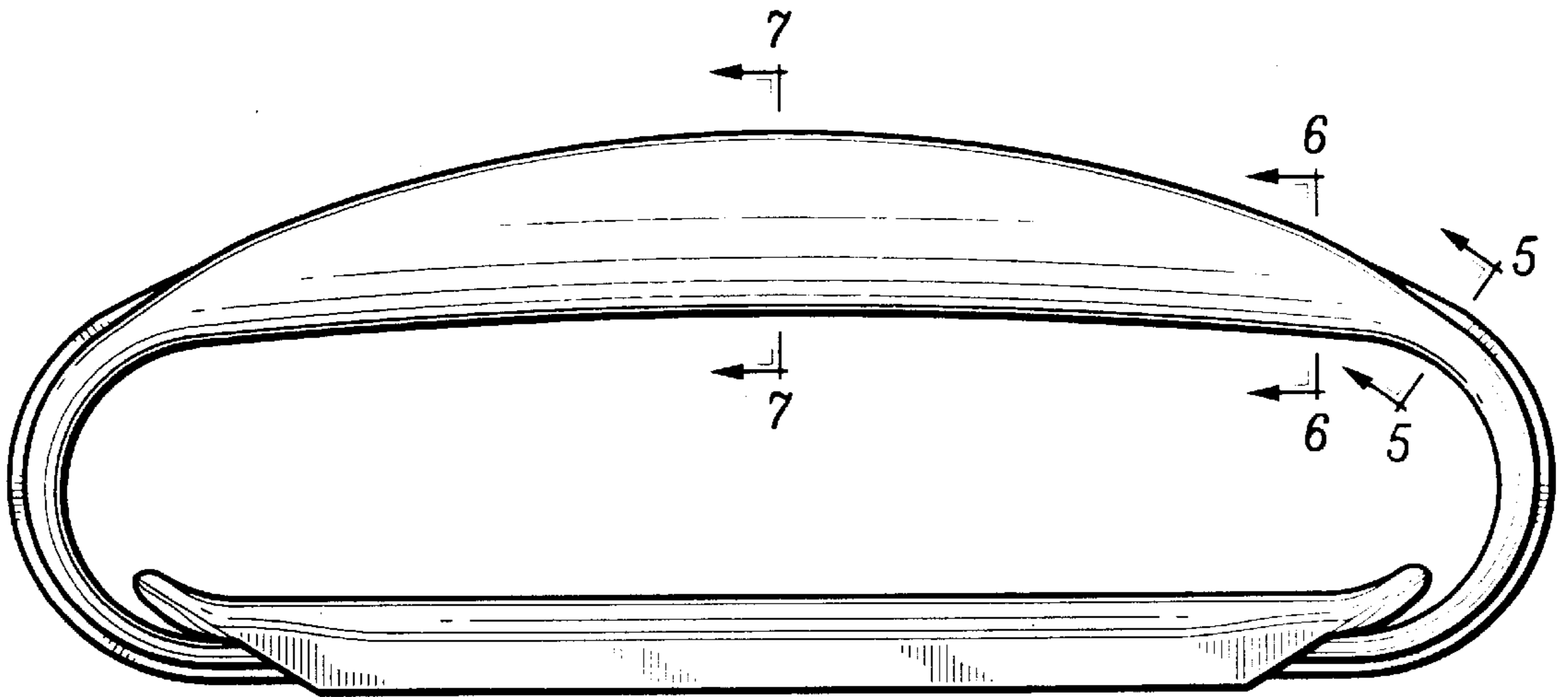


FIG. 2



FIG. 5

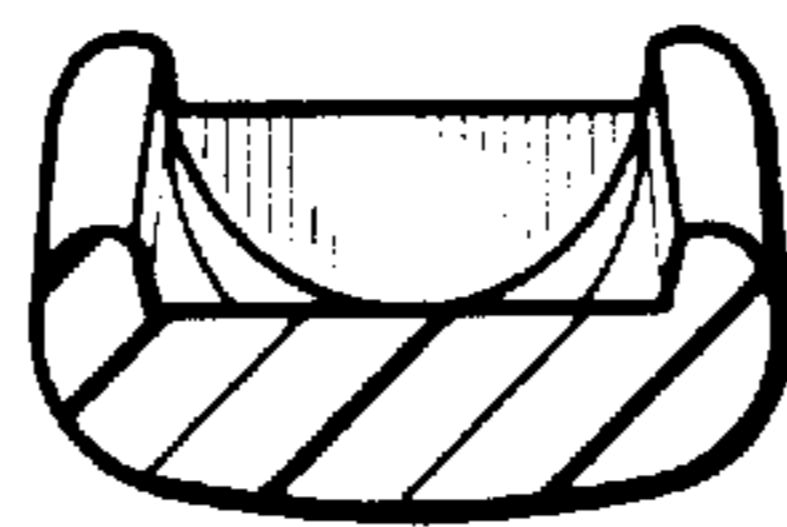


FIG. 6

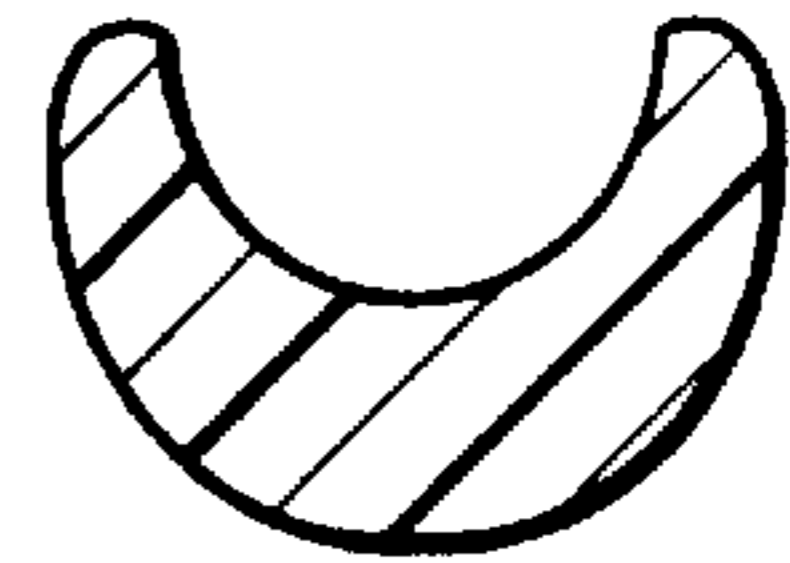


FIG. 7

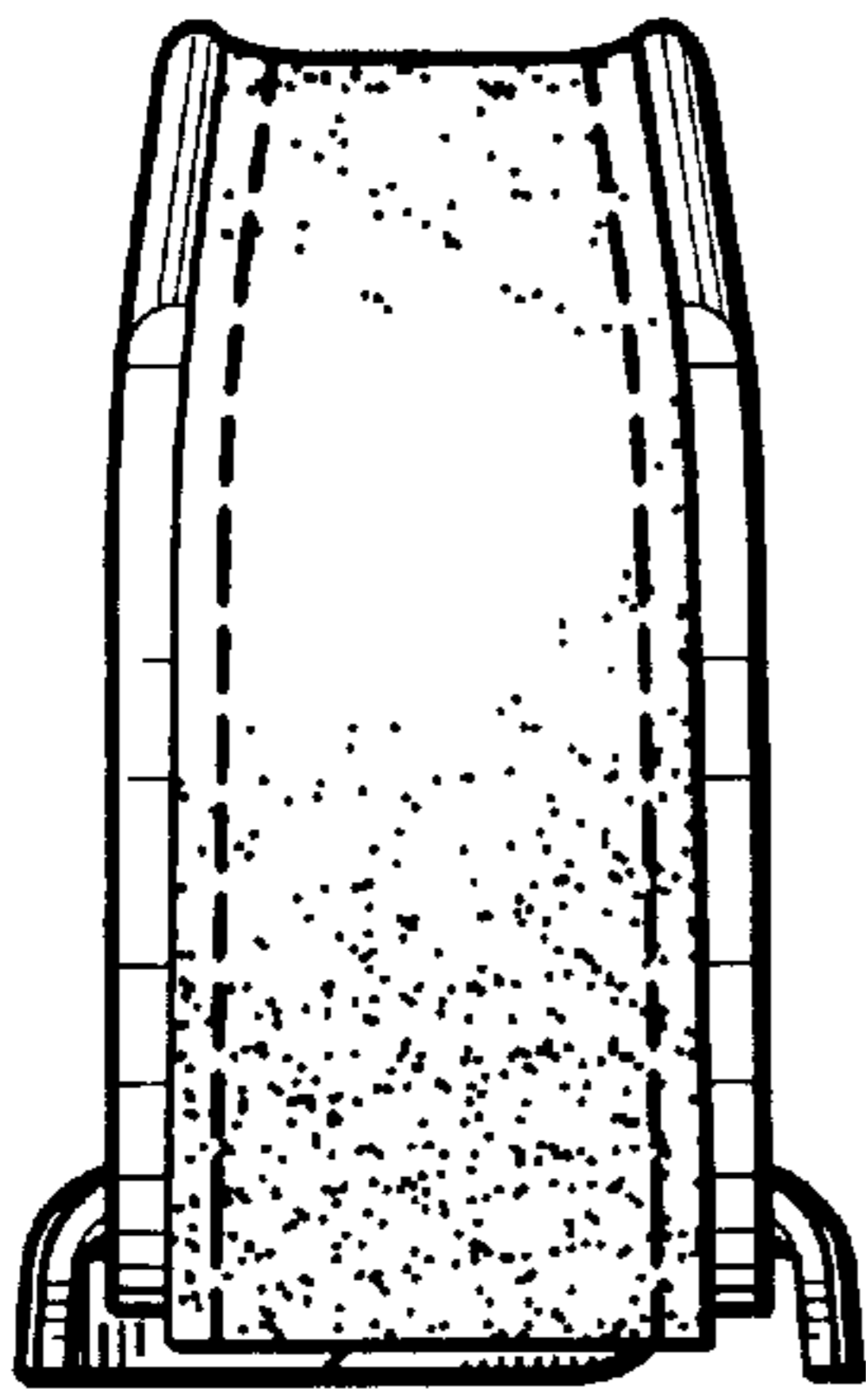


FIG. 3

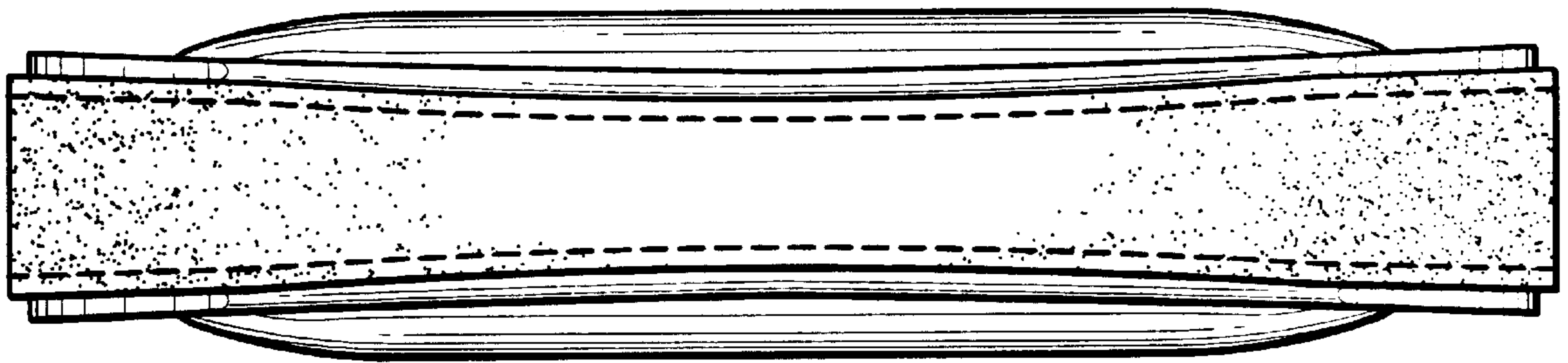


FIG. 4