



US00D419846S

United States Patent [19] Hasan

[11] **Patent Number: Des. 419,846**

[45] **Date of Patent: ** Feb. 1, 2000**

[54] **SCREWDRIVER HANDLE**

[75] Inventor: **Maz A. Hasan**, Kitchener, Canada

[73] Assignee: **Maxtech Manufacturing Inc.**,
Waterloo, Canada

[**] Term: **14 Years**

[21] Appl. No.: **29/092,329**

[22] Filed: **Aug. 17, 1998**

[51] **LOC (7) Cl.** **08-04**

[52] **U.S. Cl.** **D8/83**

[58] **Field of Search** D8/82, 83, 84,
D8/85, 86, 87, 107, 303; 16/110 R; 81/436,
437, 438, 439, 440, 177.1

[56] **References Cited**

U.S. PATENT DOCUMENTS

D. 146,898	6/1947	Daniels	D8/83
D. 256,662	9/1980	Holland-Letz	D8/83
D. 307,236	4/1990	Cascio et al.	D8/82
D. 346,943	5/1994	Haberstroh	D8/83
D. 382,188	8/1997	Lin	D8/83

D. 386,382	11/1997	Shiao	D8/83
D. 398,828	9/1998	Shiao	D8/83
D. 400,420	11/1998	Shiao	D8/83
D. 402,176	12/1998	Lauster et al.	D8/83

Primary Examiner—Philip S. Hyder
Attorney, Agent, or Firm—R. Craig Armstrong

[57] **CLAIM**

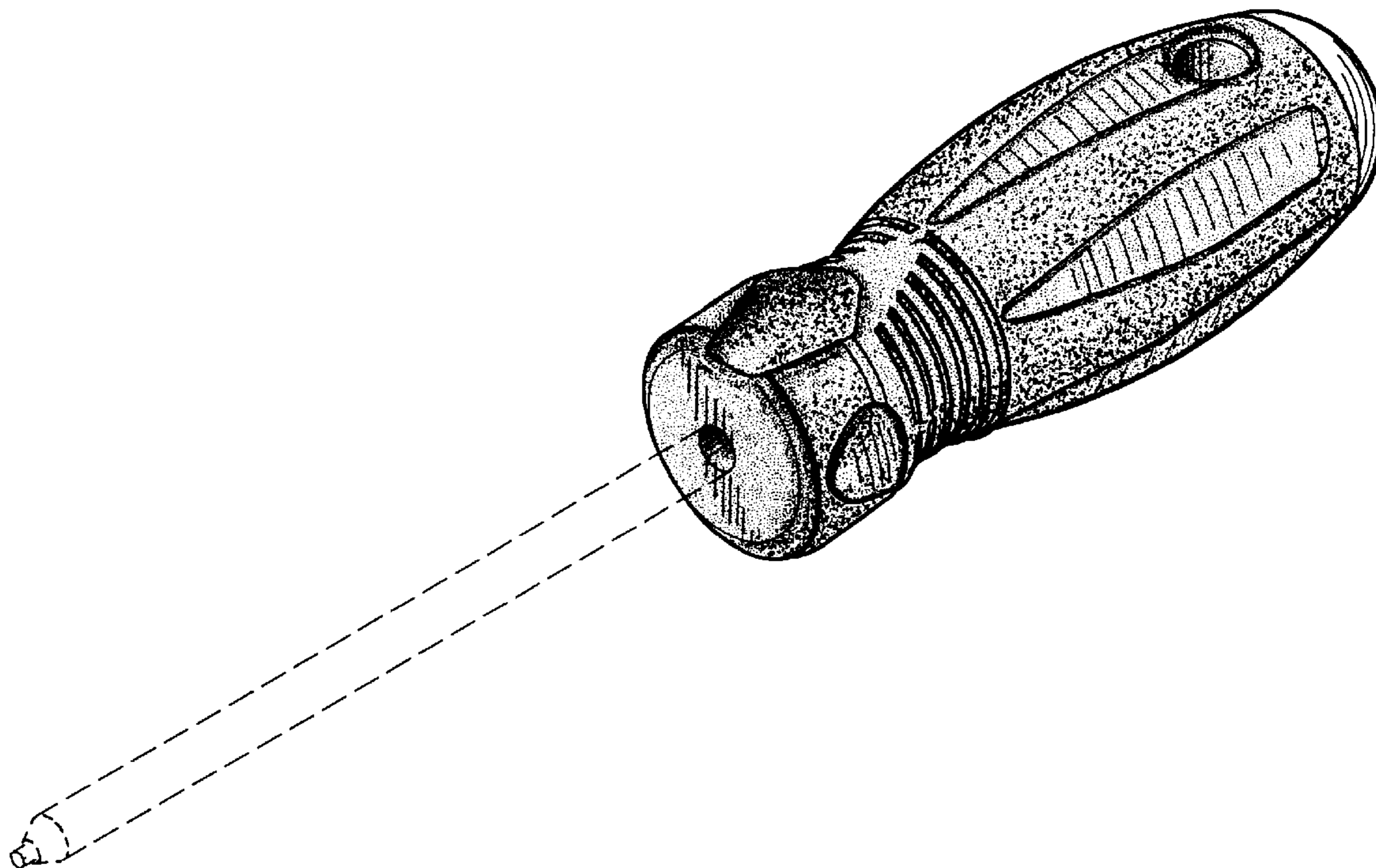
I claim the ornamental design for a screwdriver handle, as shown and described.

DESCRIPTION

FIG. 1 is a perspective view of a screwdriver handle; FIG. 2 is a side view of the screwdriver handle, the side view at 180 degrees being identical; FIG. 3 is a bottom view of the screwdriver handle; FIG. 4 is a top view of the screwdriver handle; and, FIG. 5 is a side view 90 degrees to the view of FIG. 2 of the screwdriver handle, the side view at 180 degrees to FIG. 5 being identical.

The tool shaft depicted by means of broken lines in FIGS. 1, 2, and 5 have been shown for illustrative purposes only and forms no part of the claimed design.

1 Claim, 2 Drawing Sheets



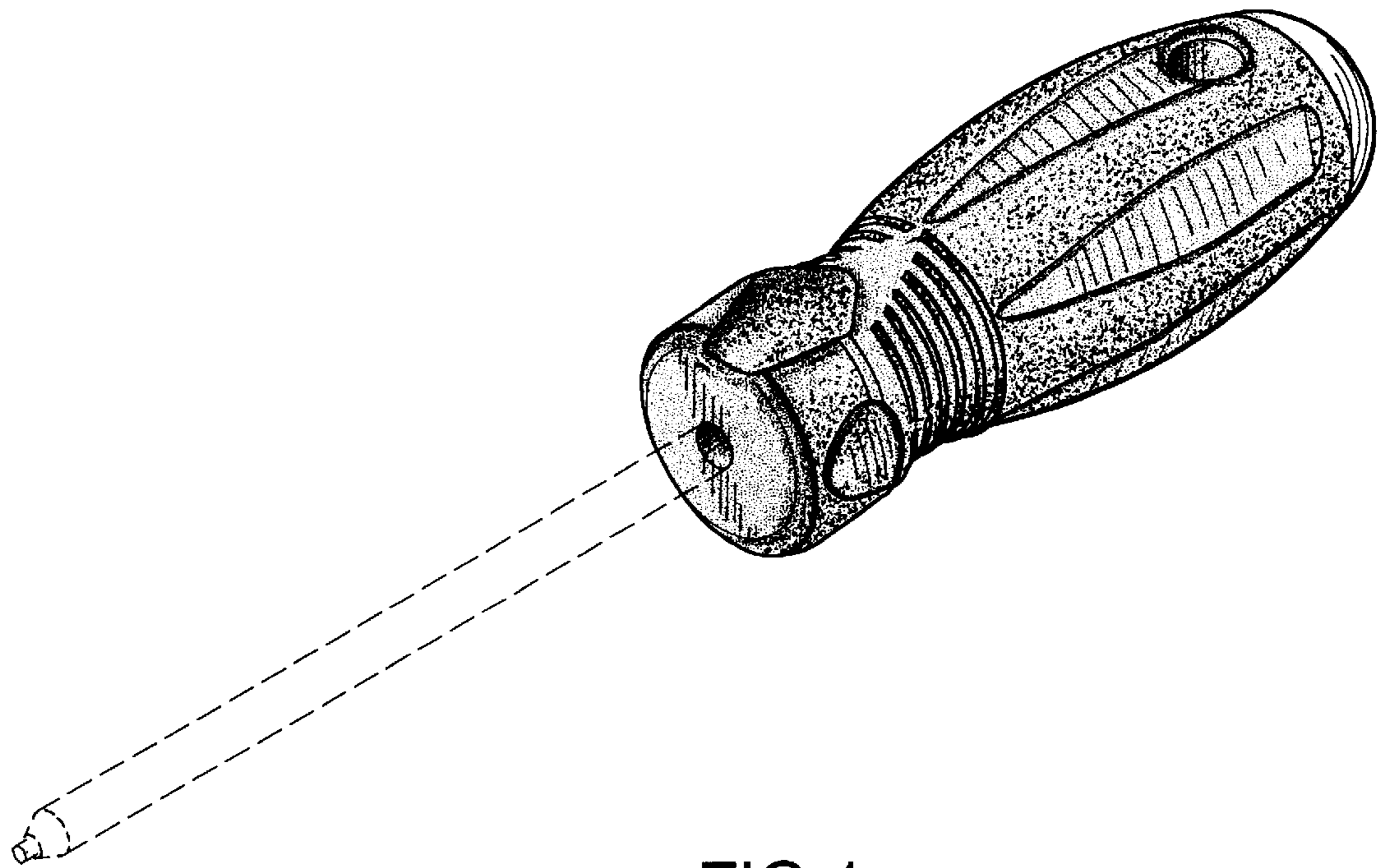


FIG. 1

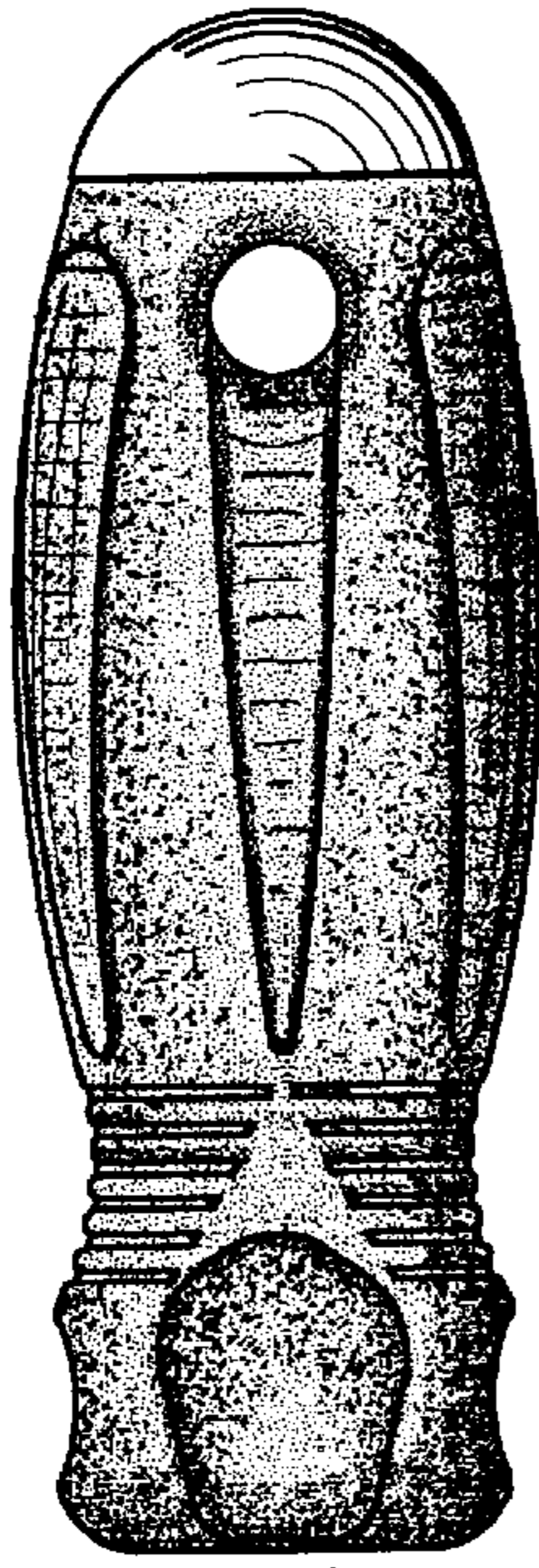


FIG.2

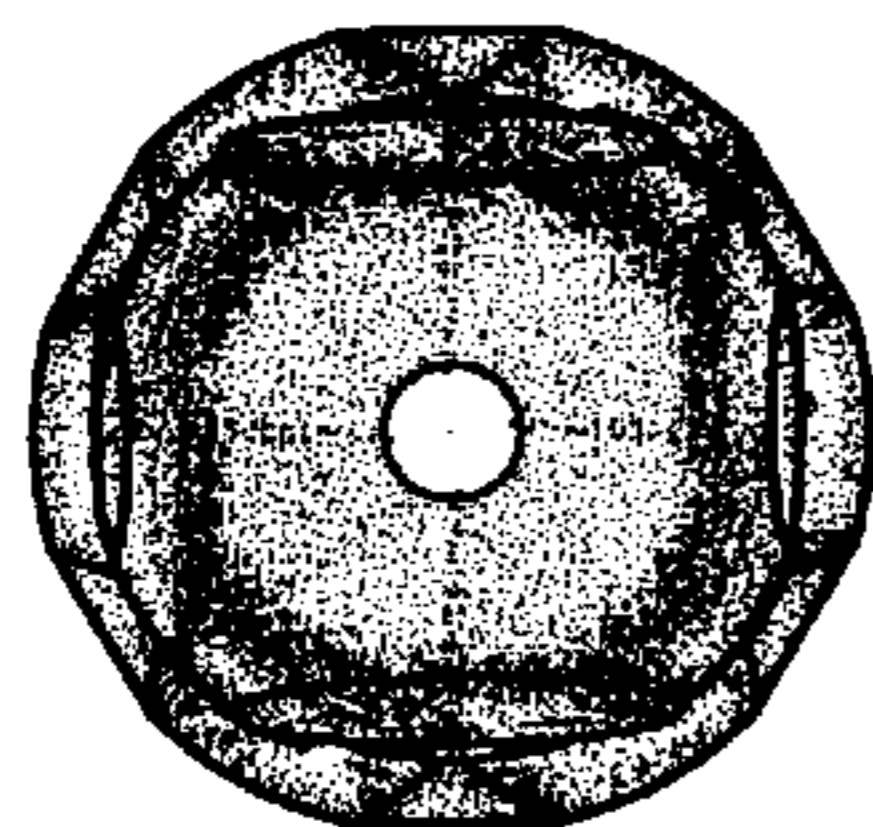


FIG.3

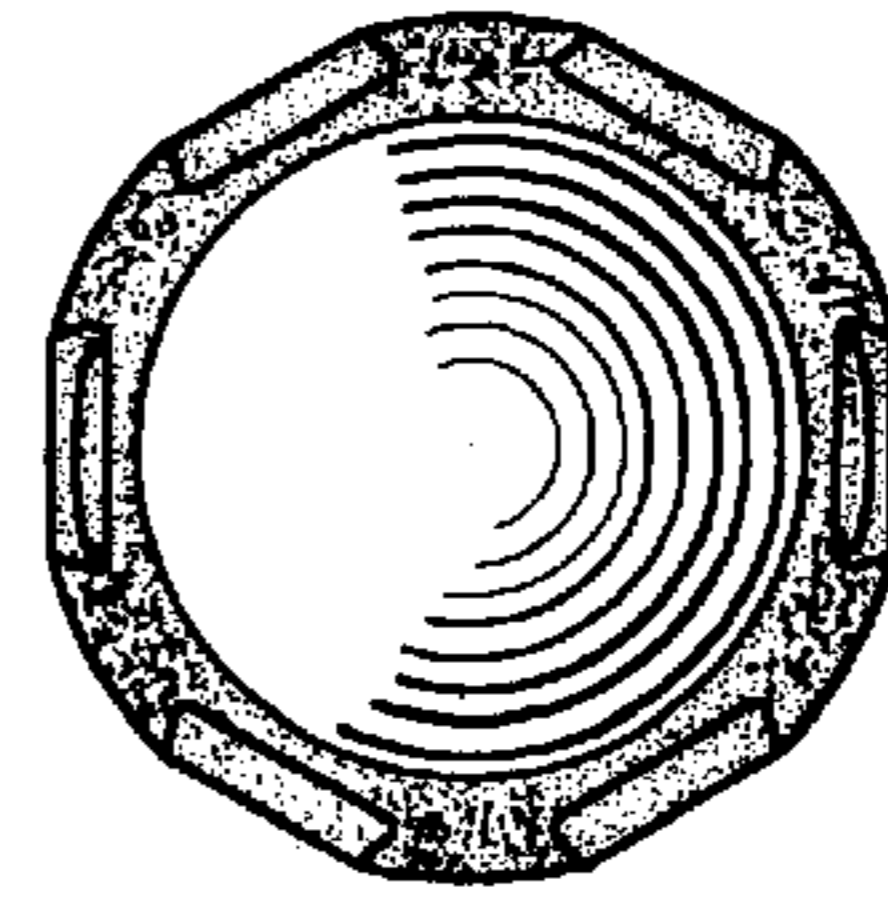


FIG.4

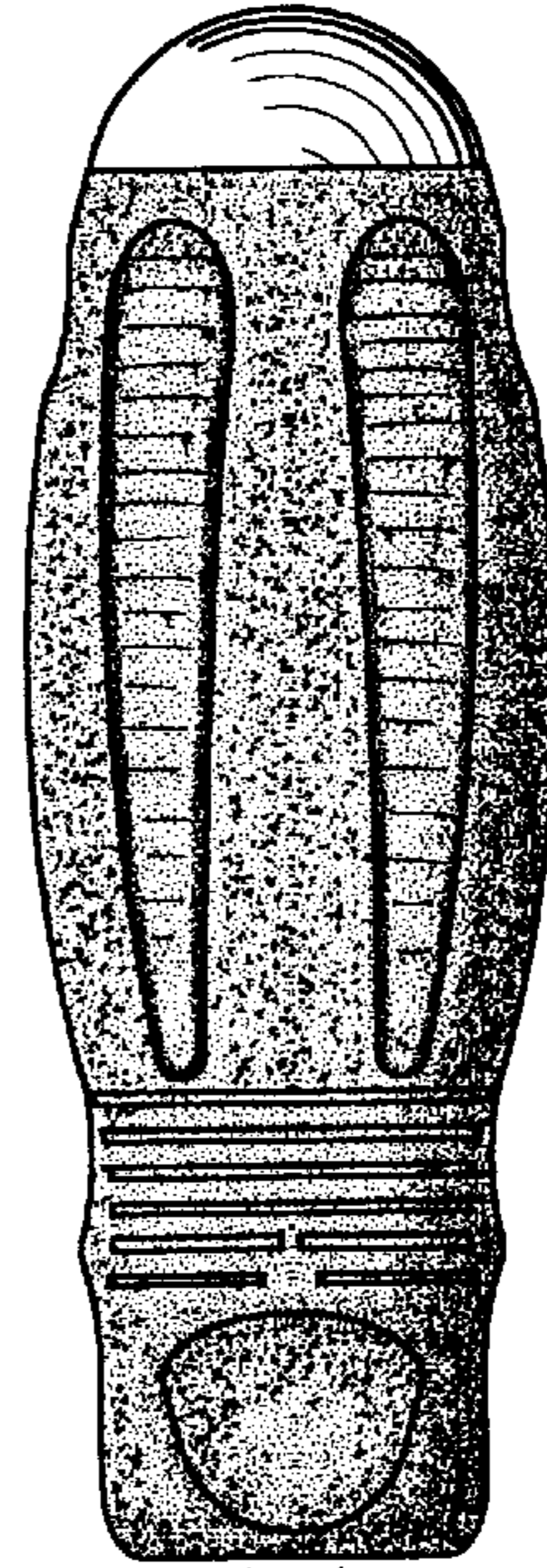


FIG.5