



US00D419845S

United States Patent [19]

Yasutomi et al.

[11] Patent Number: Des. 419,845

[45] Date of Patent: ** Feb. 1, 2000

[54] INNER SOCKET

[75] Inventors: **Sueharu Yasutomi**, Osaka; **Shozo Matsumura**, Toyonaka; **Daijiro Yano**, Tondabayashi; **Koichi Nakayama**, Yao, all of Japan

[73] Assignee: **Maeda Metal Industries, Ltd.**, Japan

[**] Term: **14 Years**

[21] Appl. No.: **29/095,544**

[22] Filed: **Oct. 26, 1998**

[30] Foreign Application Priority Data

Apr. 27, 1998 [JP] Japan 10-12385

[51] LOC (7) Cl. **08-05**

[52] U.S. Cl. **D8/70**

[58] Field of Search D8/61, 70; 81/56, 81/429, 467-469, 57.13, 57.14, 57.11; 173/169, 170

[56] References Cited

U.S. PATENT DOCUMENTS

- 2,714,026 7/1955 Schultz .
- 4,472,985 9/1984 Orikasa 81/56
- 5,490,439 2/1996 Matsumura et al. 81/469
- 5,550,416 8/1996 Fanchang et al. 310/83

- 5,582,079 12/1996 Matsumura et al. 81/56
- 5,816,121 10/1998 Yoshimizu et al. 81/469
- 5,881,613 3/1999 Han 81/429

Primary Examiner—Nelson C. Holtje
Attorney, Agent, or Firm—Bracewell & Patterson, L.L.P.

[57] CLAIM

The ornamental design for inner socket, as shown and described.

DESCRIPTION

FIG. 1 is a perspective view of an inner socket of the present invention;
 FIG. 2 is a front view of the inner socket of the present invention;
 FIG. 3 is a left side view of the inner socket of the present invention;
 FIG. 4 is a right side view of the inner socket of the present invention;
 FIG. 5 is a top plan view of the inner socket of the present invention;
 FIG. 6 is a bottom plan view of the inner socket of the present invention;
 FIG. 7 is a rear view of the inner socket of the present invention; and,
 FIG. 8 is a sectional view taken in the direction of arrows A, A on line of FIG. 3.

1 Claim, 1 Drawing Sheet

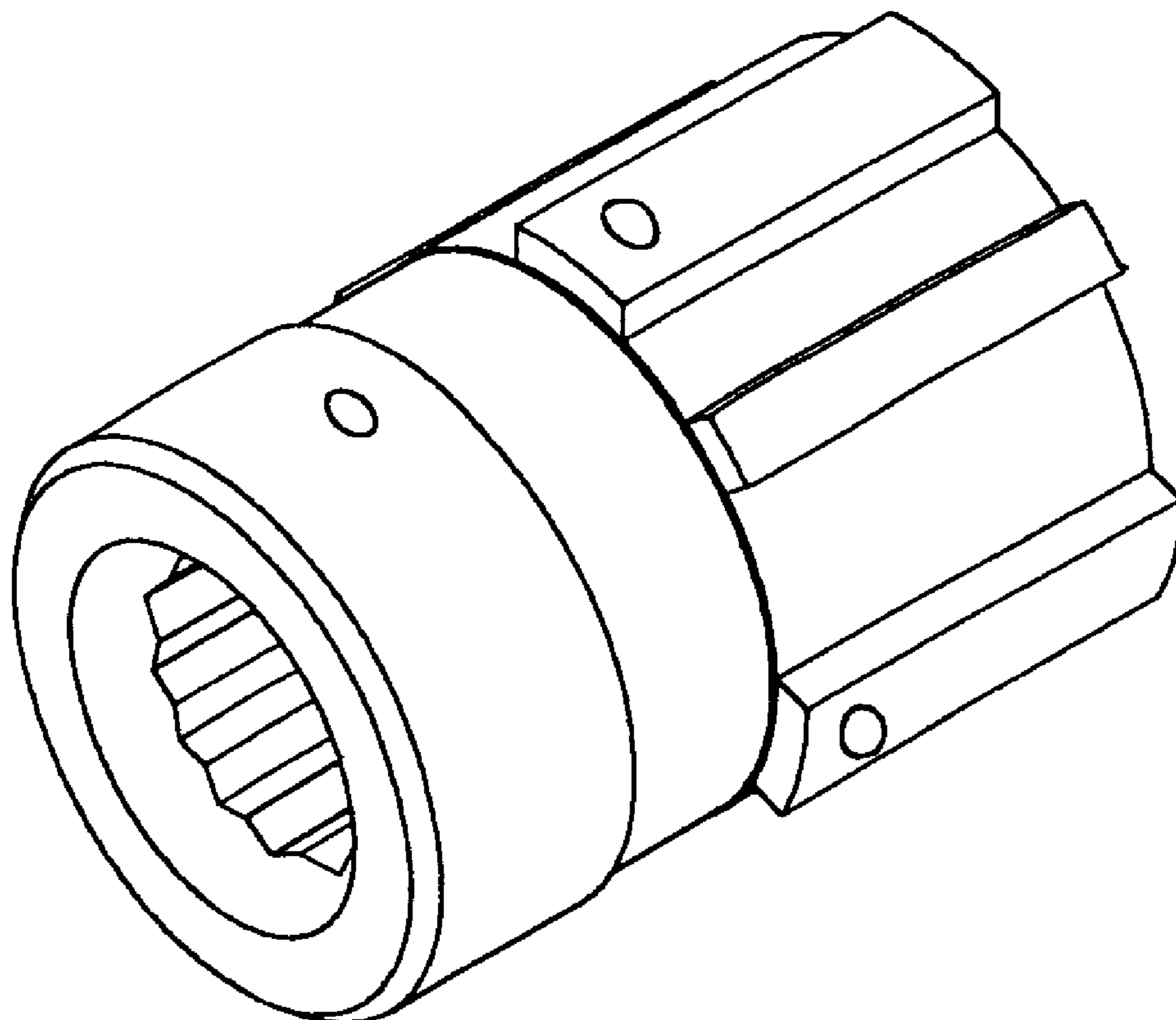


FIG. 1

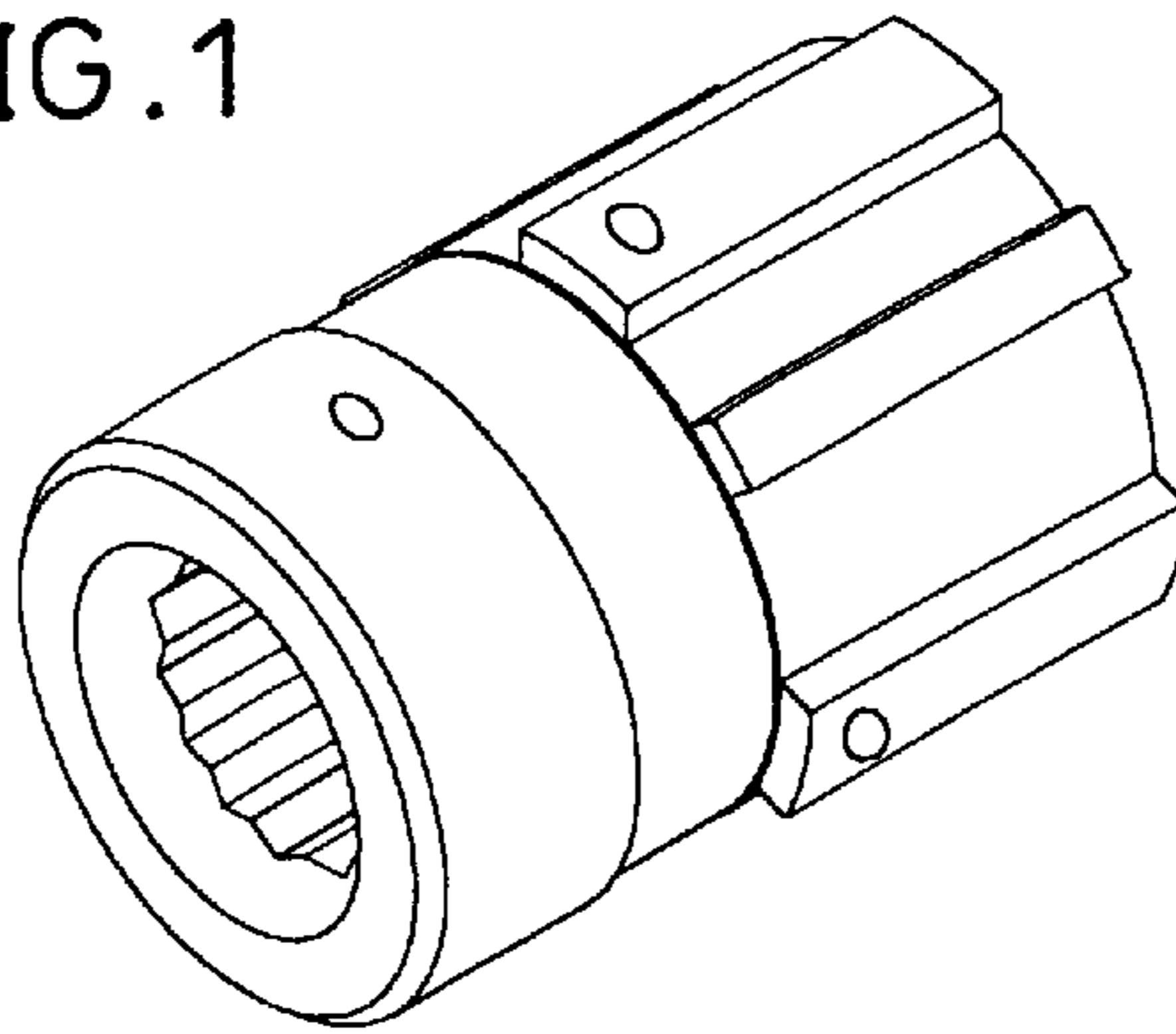


FIG. 3

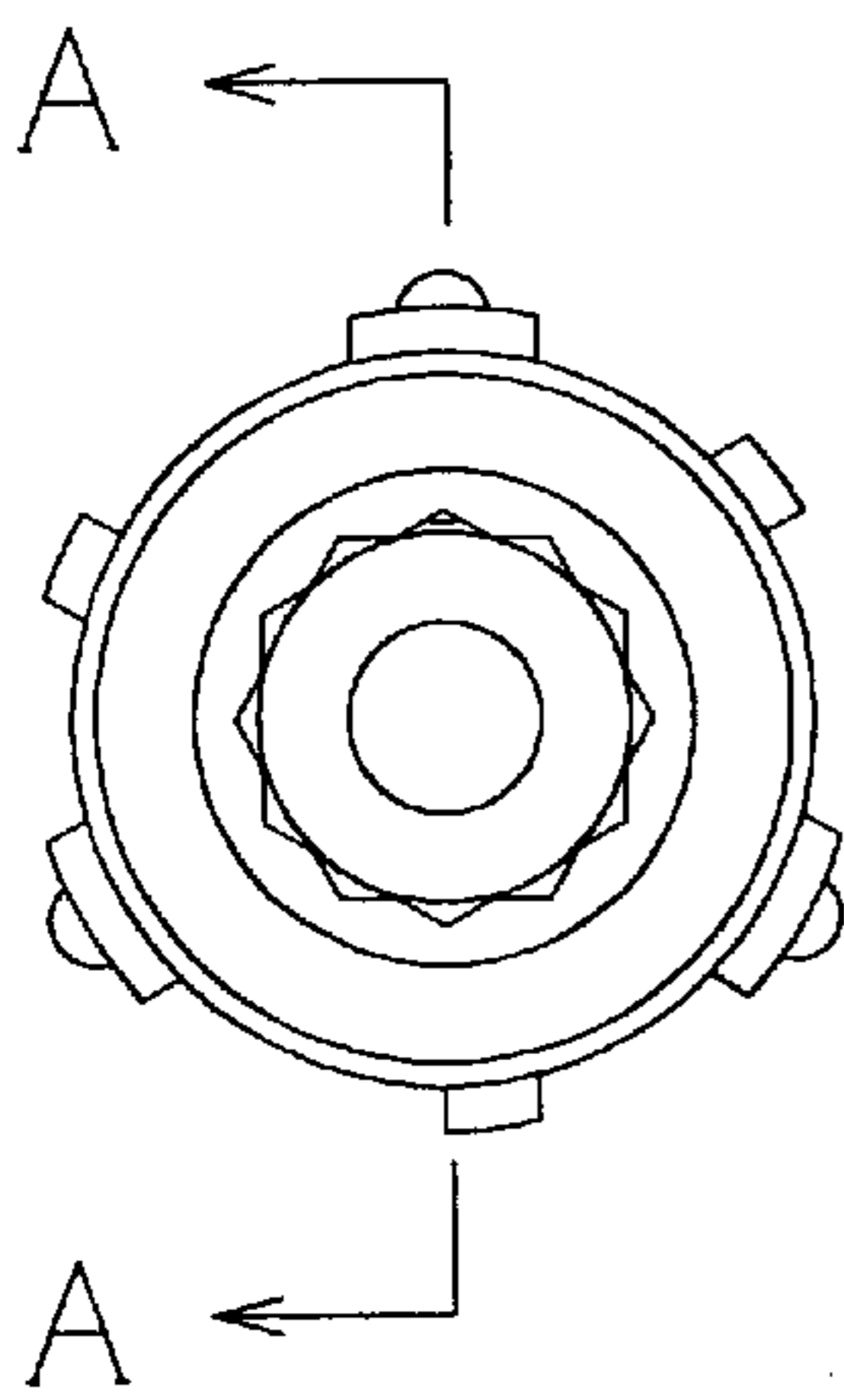


FIG. 2

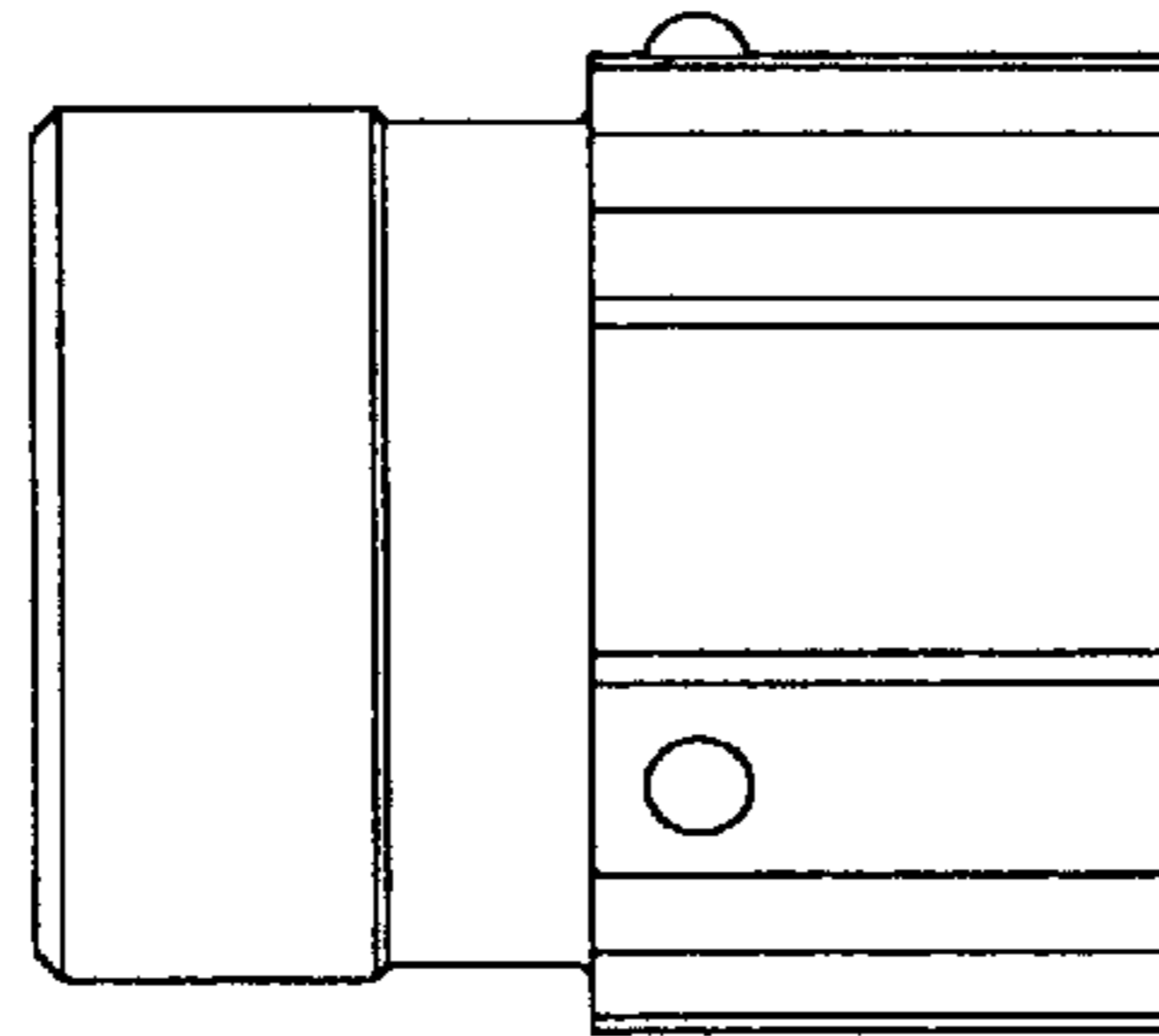


FIG. 4

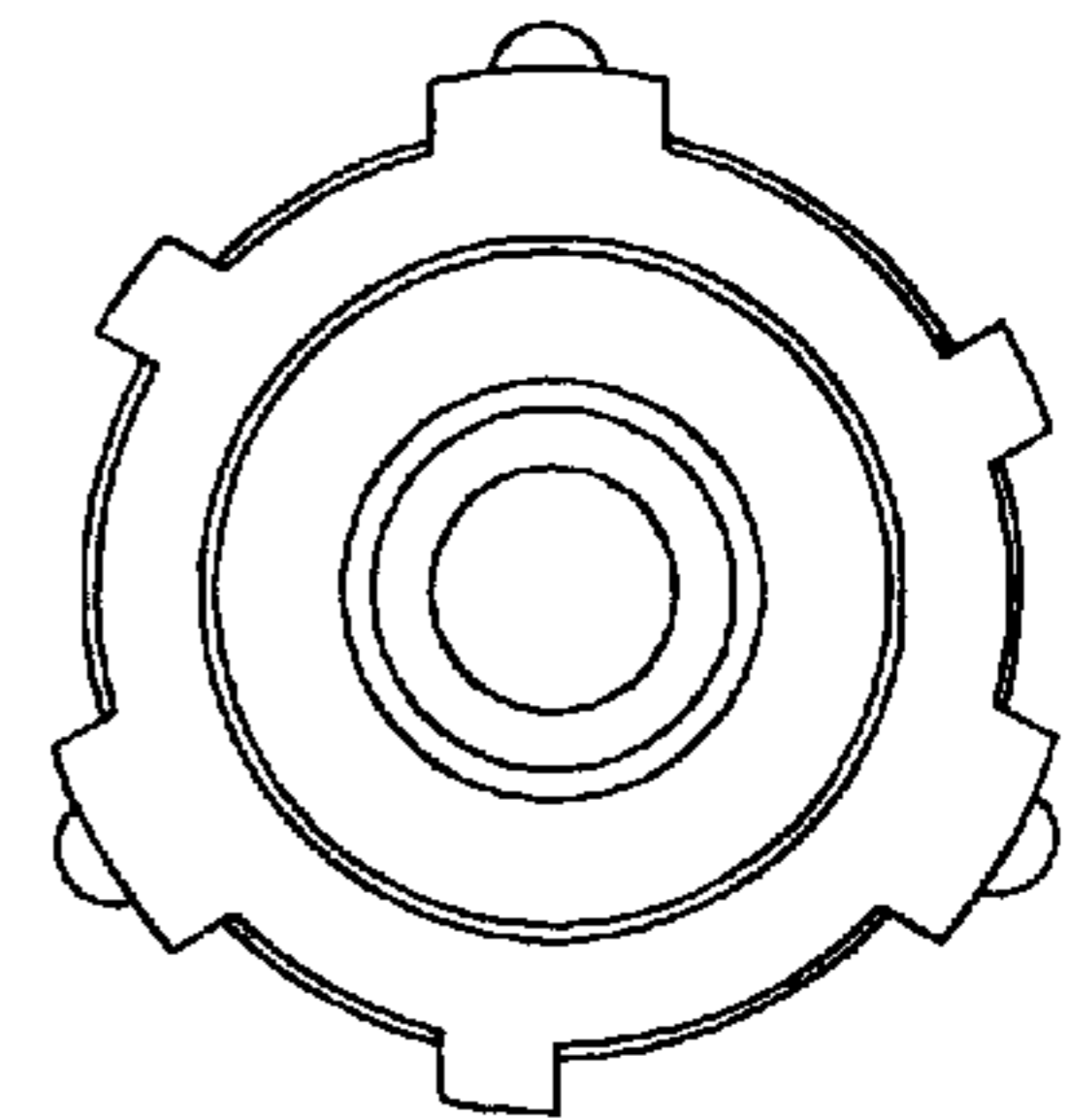


FIG. 5

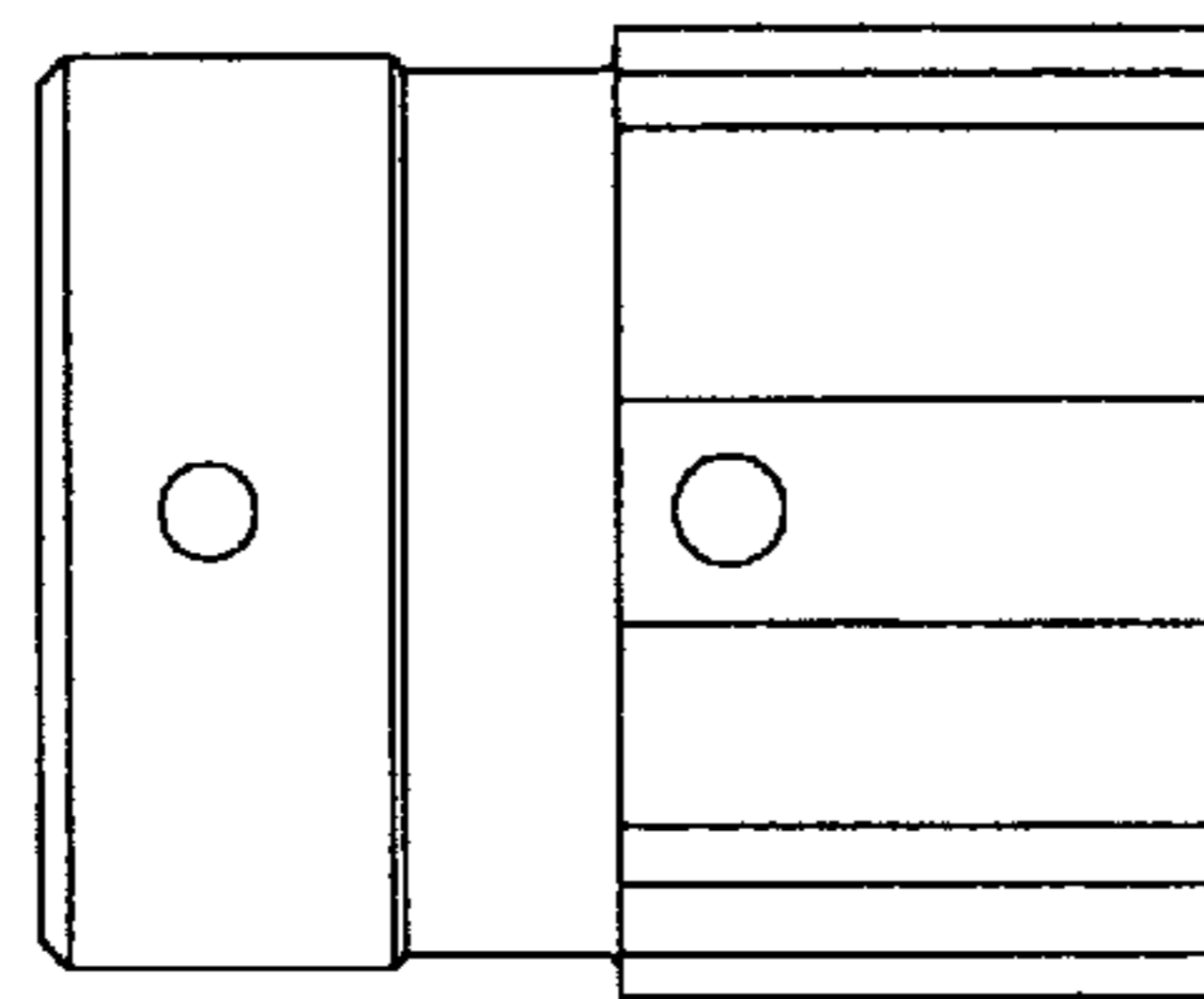


FIG. 6

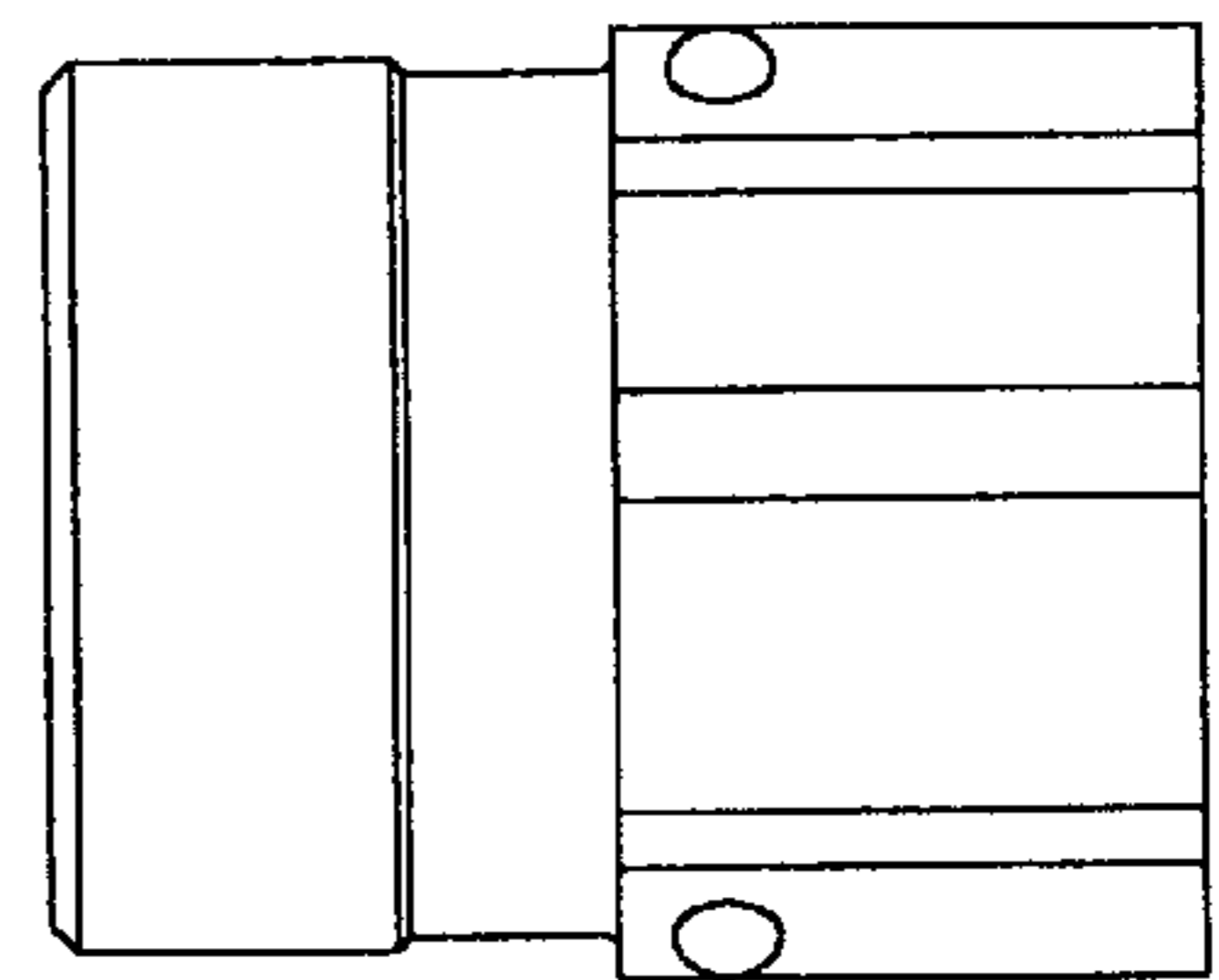


FIG. 7

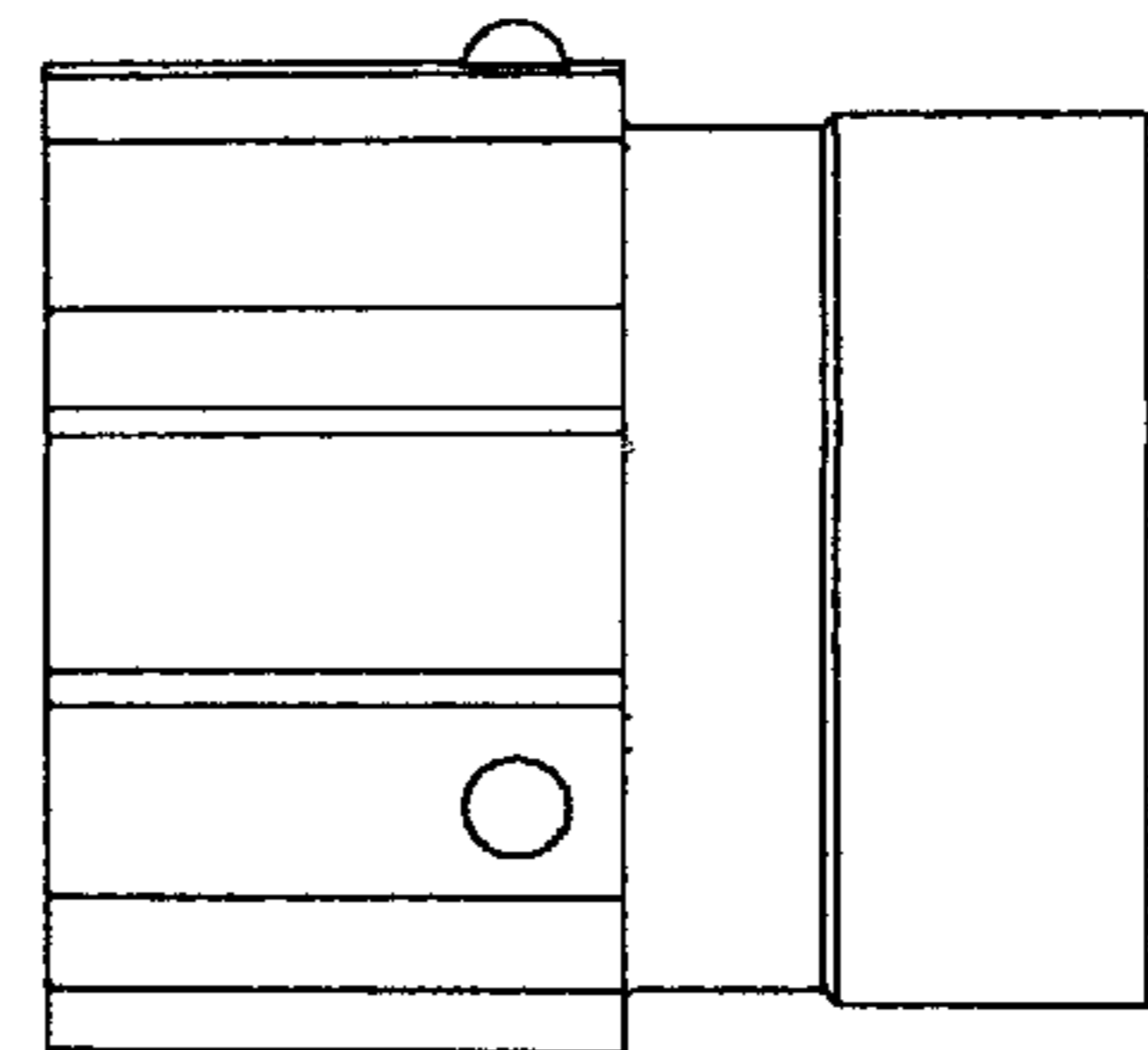


FIG. 8

