



US00D419837S

United States Patent [19]

[11] Patent Number: **Des. 419,837**

Knox et al.

[45] Date of Patent: **** Feb. 1, 2000**

[54] **COMPACT FOLDING WRENCH**

[75] Inventors: **Robert Lawrence Knox**, Shiloh; **John Charles Reddy**, Columbus, both of Ga.

[73] Assignee: **Snap-on Tools Company**, Kenosha, Wis.

[**] Term: **14 Years**

3,839,929 10/1974 Richards .
 4,611,514 9/1986 Hyde .
 4,748,874 6/1988 Sharp et al. .
 4,791,837 12/1988 Main .
 5,005,448 4/1991 Main .
 5,101,696 4/1992 Neff .
 5,201,257 4/1993 Engel .
 5,279,189 1/1994 Marino .

[21] Appl. No.: **29/048,452**

[22] Filed: **Dec. 29, 1995**

Related U.S. Application Data

[63] Continuation of application No. 29/041,622, Jul. 13, 1995.

[51] **LOC (7) Cl.** **08-05**

[52] **U.S. Cl.** **D8/25**

[58] **Field of Search** D8/21-29, 107;
 81/52, 60-63.2, 177.1, 177.2, 177.6, 177.7,
 436

References Cited

U.S. PATENT DOCUMENTS

D. 255,979 7/1980 Boursaw .
 D. 268,805 5/1983 Kowalewicz .
 D. 270,227 8/1983 Roth et al. D8/25
 D. 292,771 11/1987 Kim .
 D. 306,127 2/1990 Graham et al. .
 818,761 5/1906 Hanes, et al. .
 821,328 5/1906 Bartlett .
 854,174 5/1907 Noyer .
 1,006,679 10/1911 Rice .
 2,097,361 10/1937 Bagley .
 2,628,522 2/1953 Kraft .
 2,764,048 9/1956 Thompson .
 2,891,434 6/1959 Lozensky .
 3,156,143 11/1964 Wolf .
 3,269,228 8/1966 Mack .
 3,356,117 12/1967 Wagner .

FOREIGN PATENT DOCUMENTS

802015 9/1958 United Kingdom .

Primary Examiner—Ted Shooman
Assistant Examiner—Richelle Shelton
Attorney, Agent, or Firm—Emrich & Dithmar

CLAIM

[57] The ornamental design for a compact folding wrench, as shown and described.

DESCRIPTION

FIG. 1 is a perspective view of a compact folding wrench showing our new design.

FIG. 2 is a reduced front elevational view of the compact folding wrench;

FIG. 3 is a rear elevational view thereof;

FIG. 4 is a top plan view thereof;

FIG. 5 is a right side elevational view thereof;

FIG. 6 is a bottom plan view thereof;

FIG. 7 is a left side elevational view thereof;

FIG. 8 is a perspective view of the compact folding wrench in the folded position;

FIG. 9 is a reduced front elevational view of the compact folding wrench in the folded position;

FIG. 10 is a rear elevational view thereof;

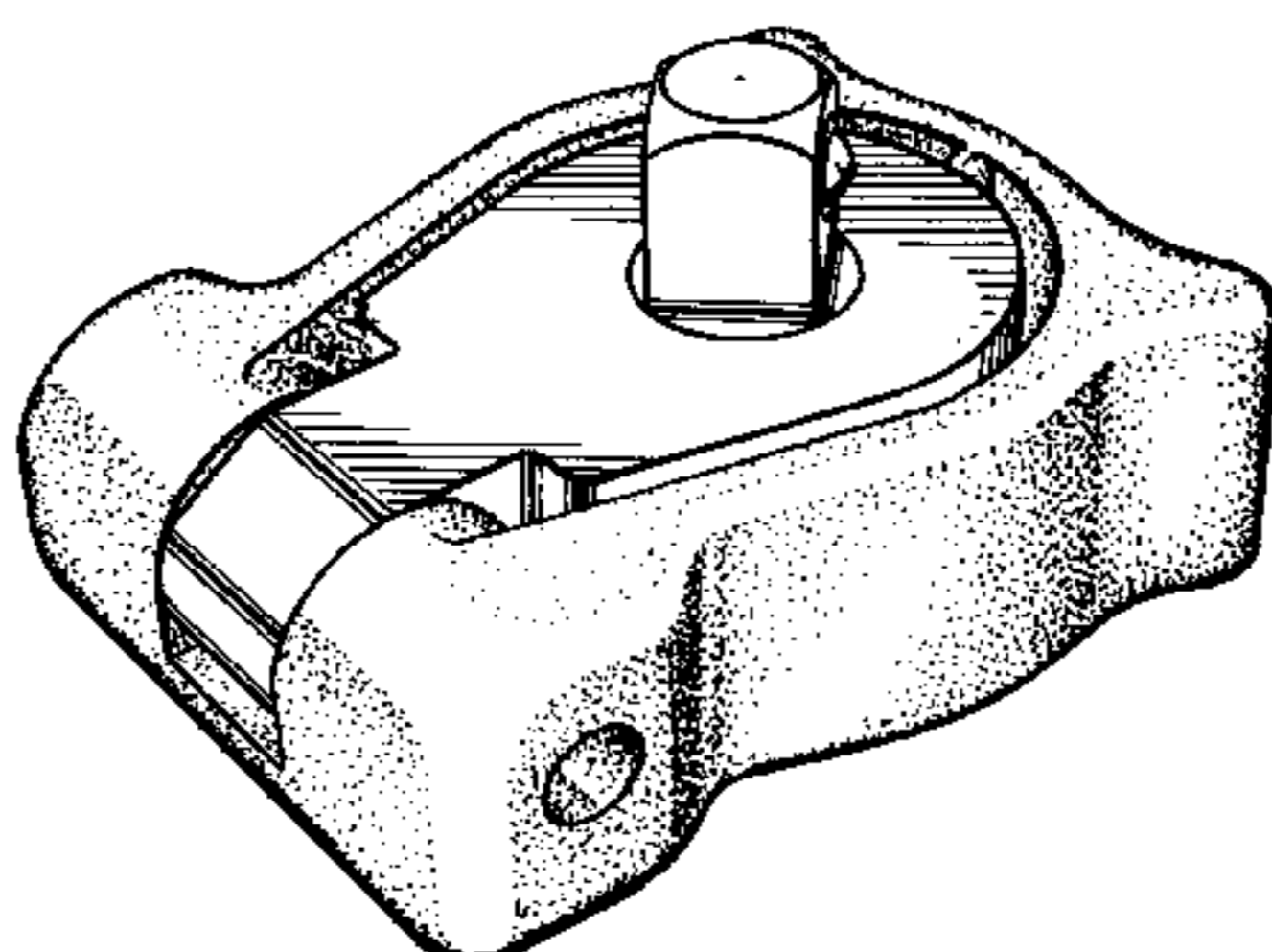
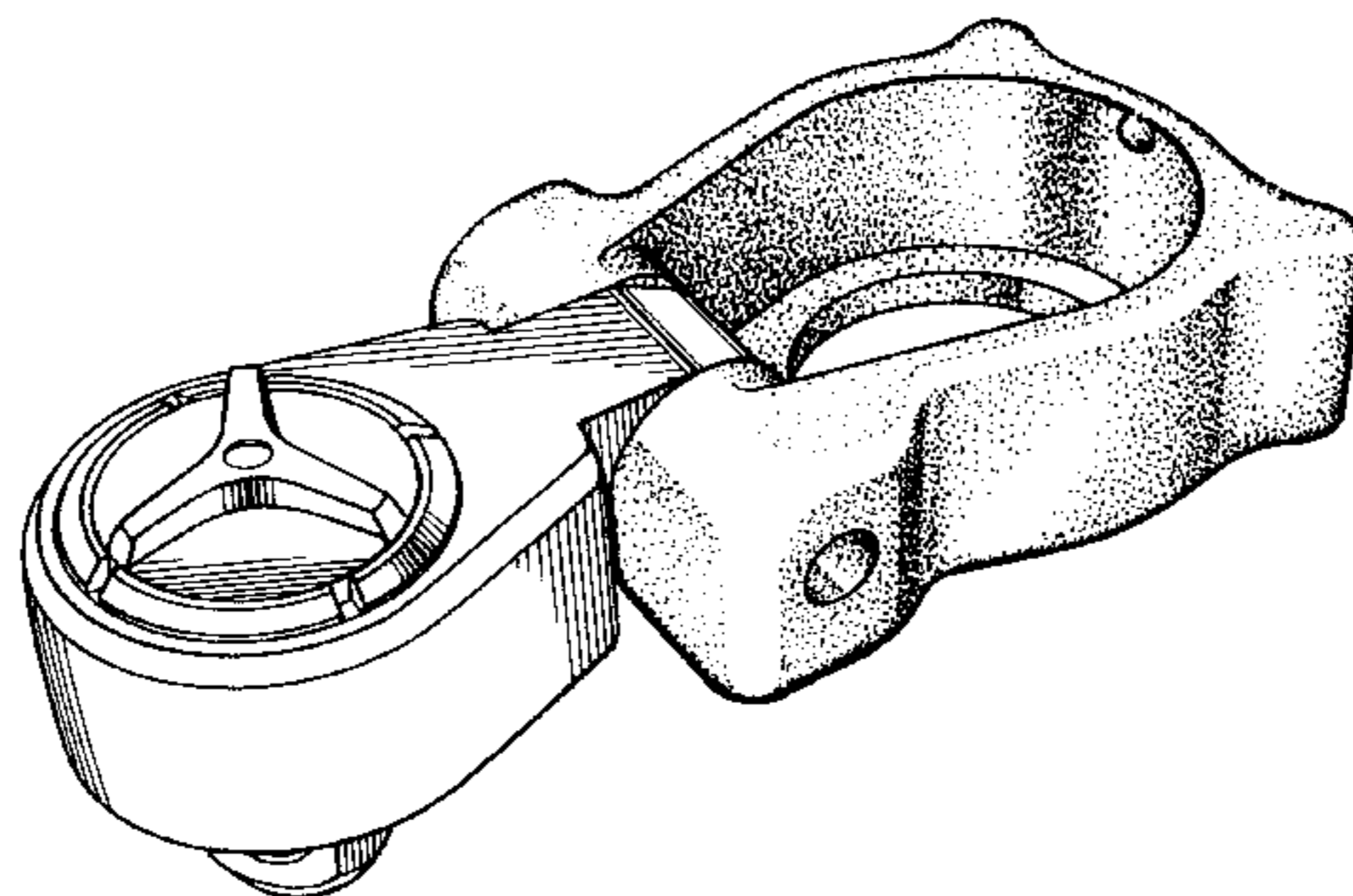
FIG. 11 is a top plan view thereof;

FIG. 12 is a right side elevational view thereof;

FIG. 13 is a bottom plan view thereof; and,

FIG. 14 is a left side elevational view thereof.

1 Claim, 4 Drawing Sheets



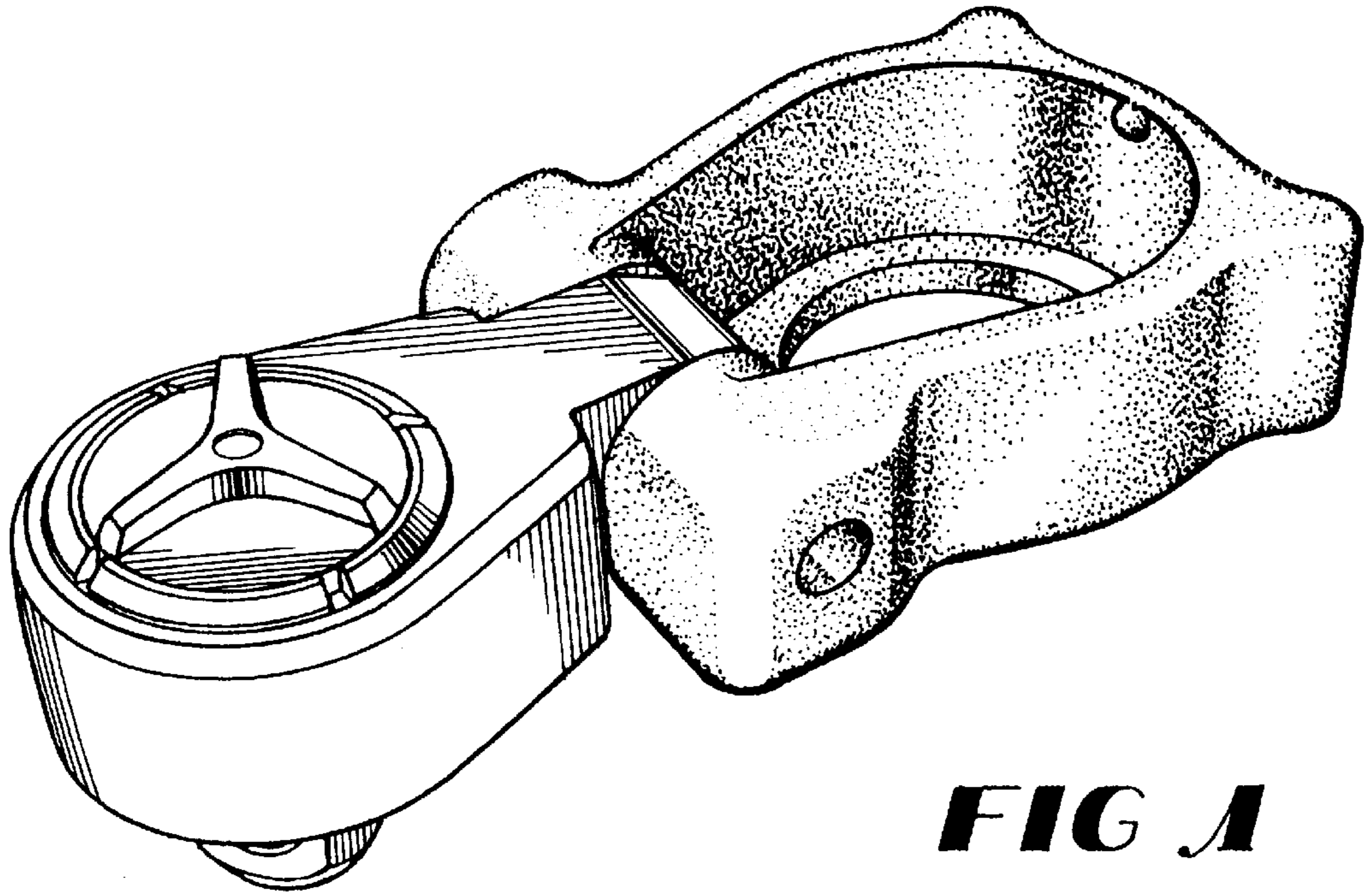


FIG 1

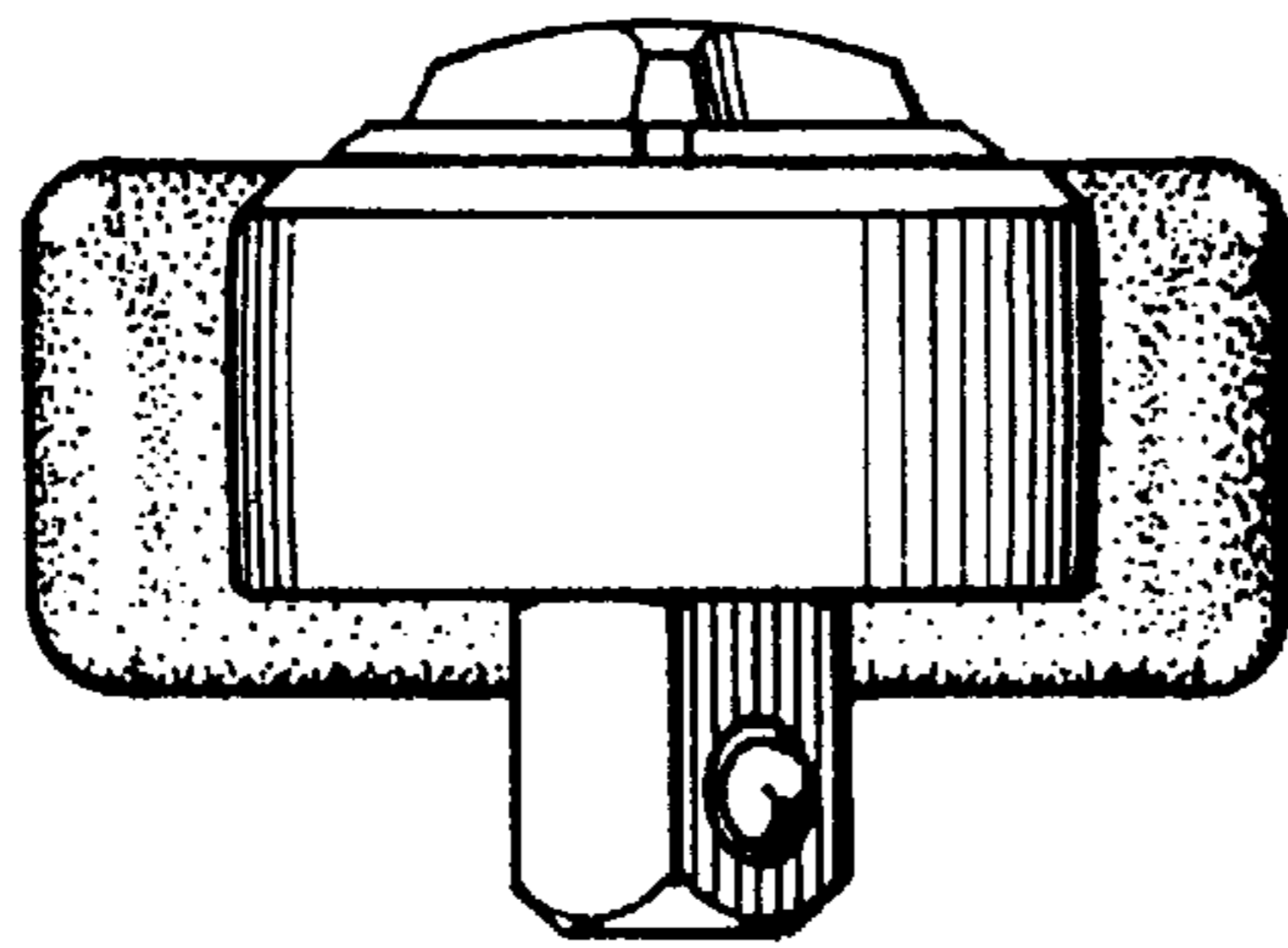


FIG 2

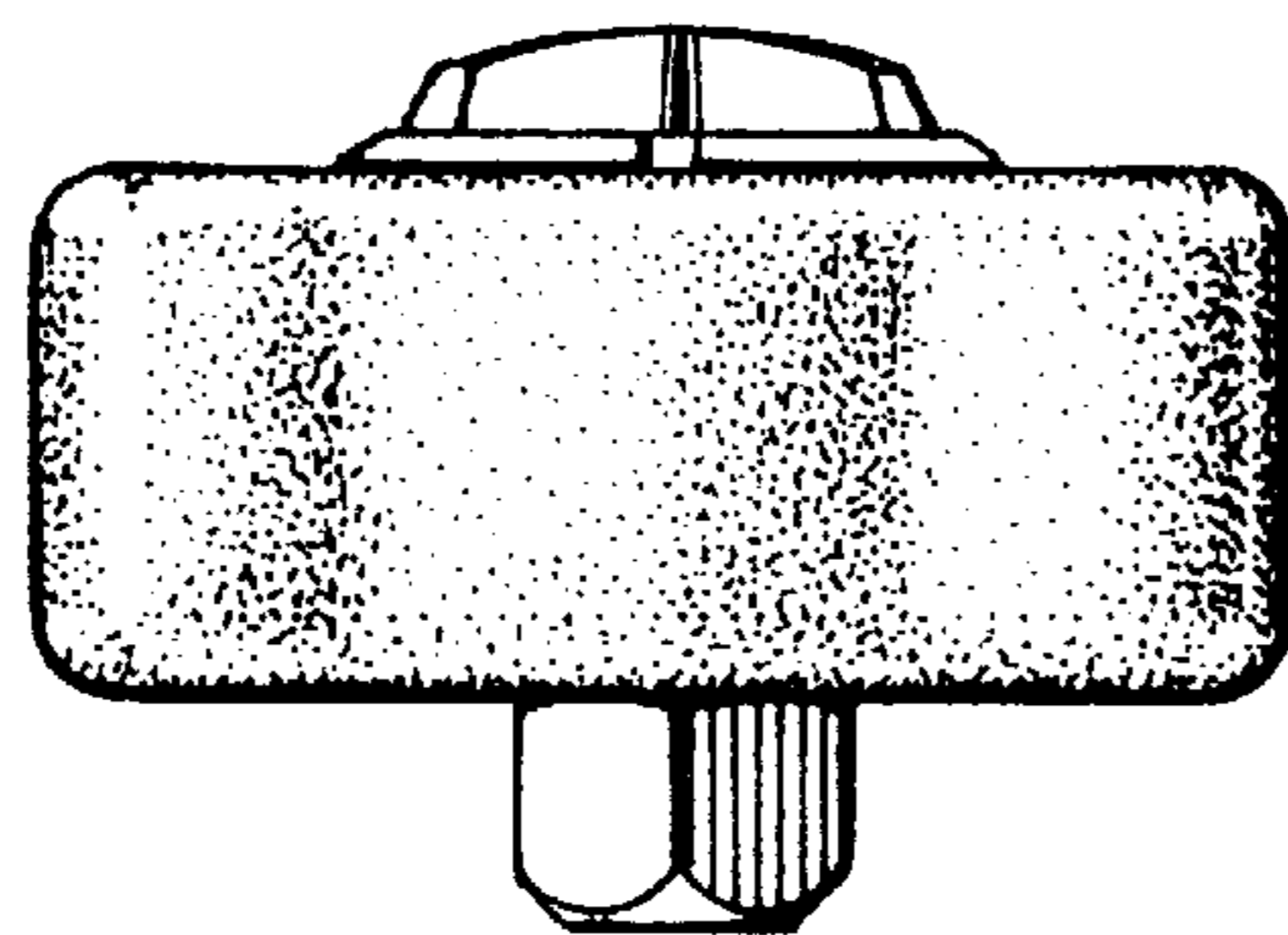


FIG 3

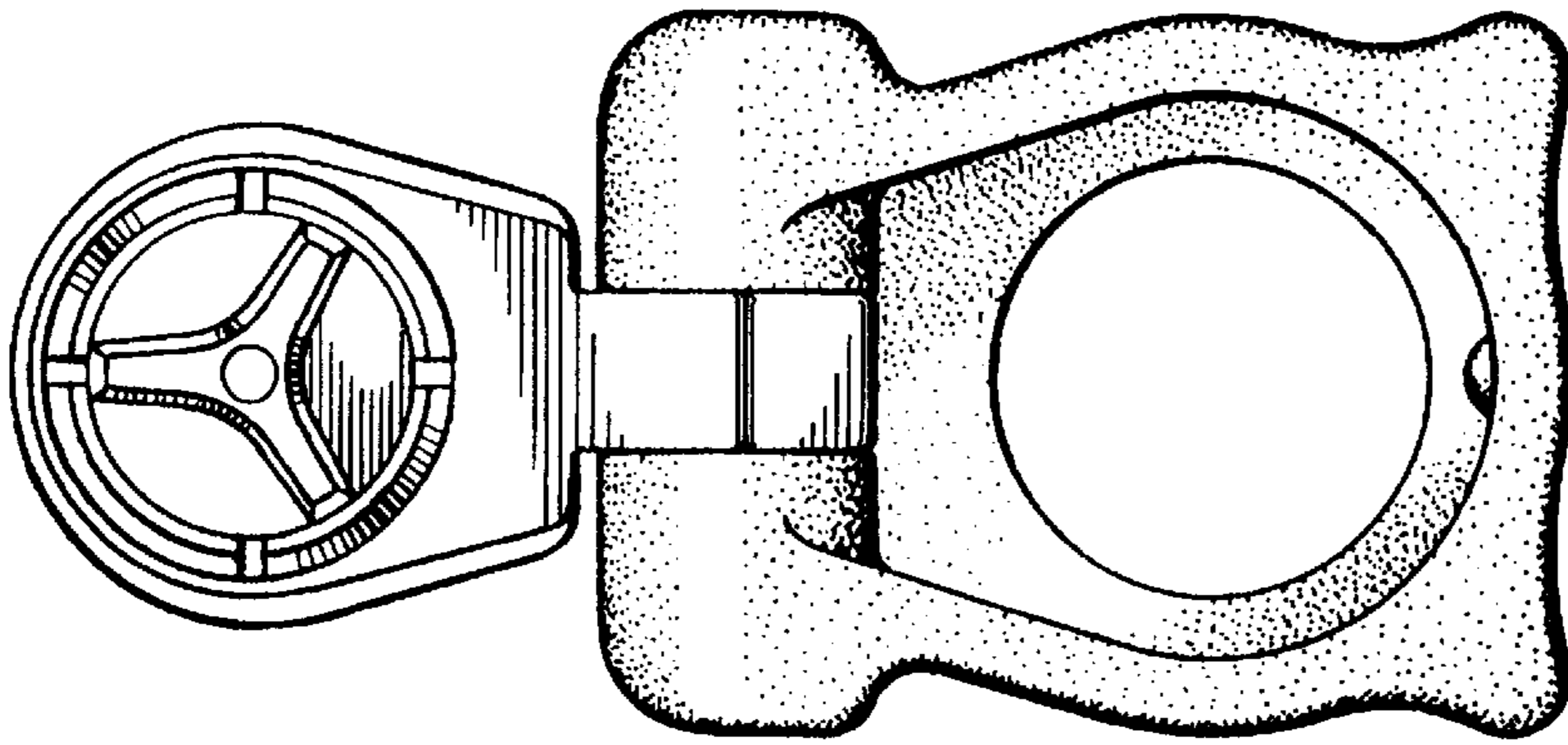


FIG 4

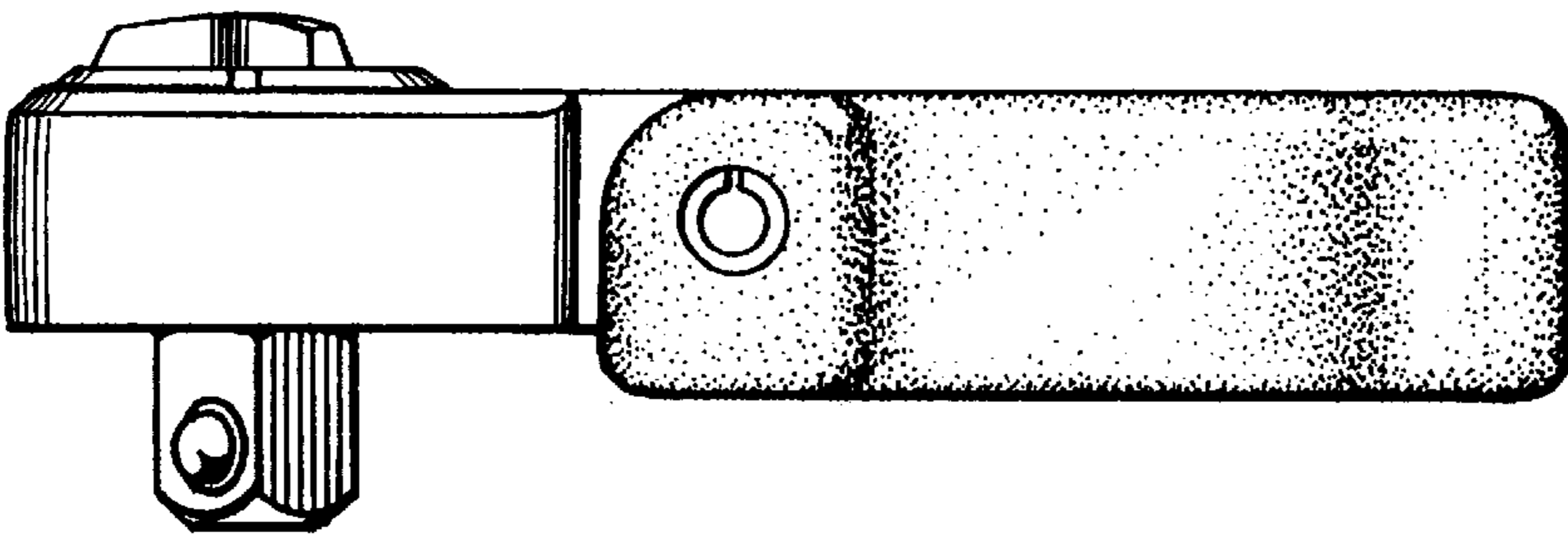


FIG 5

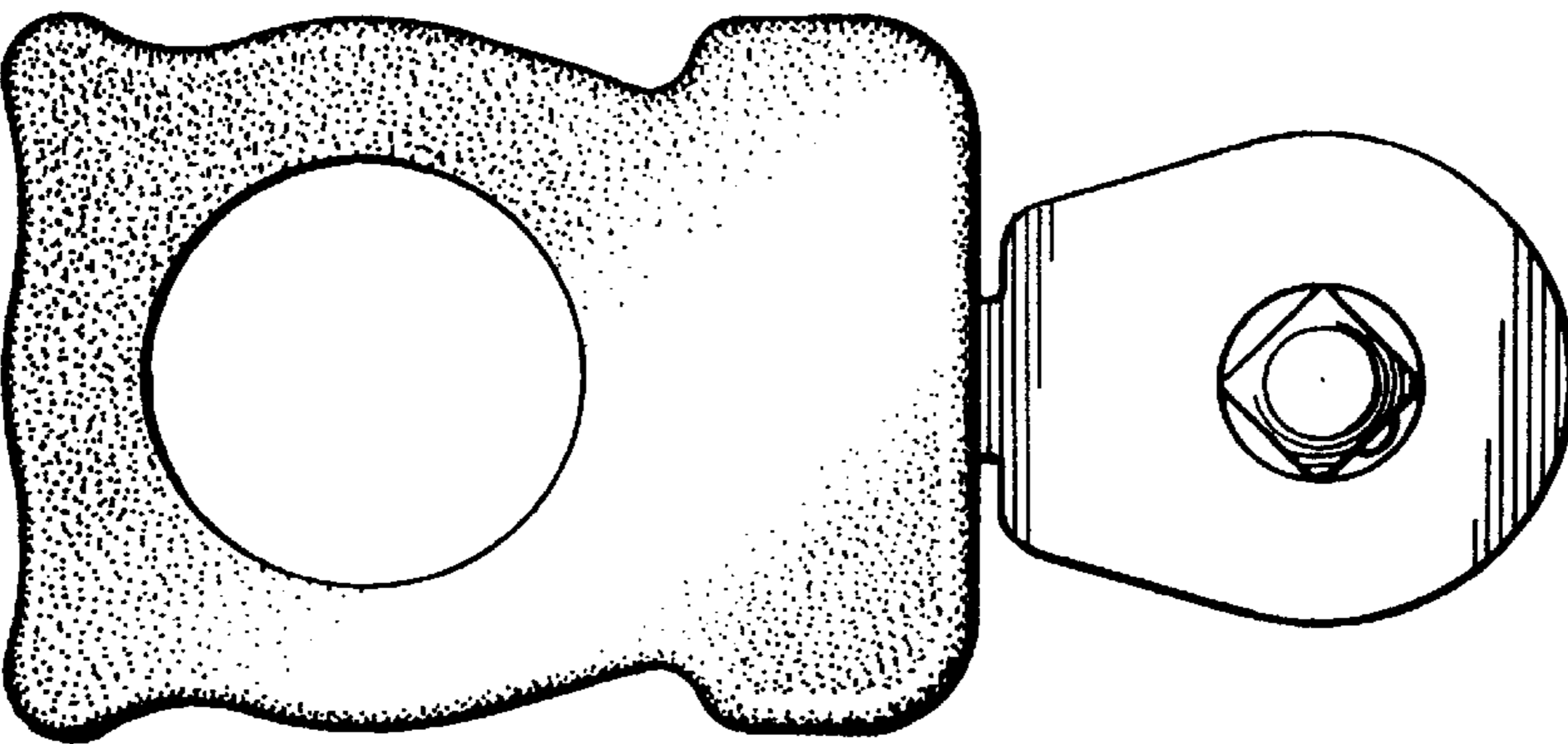


FIG 6

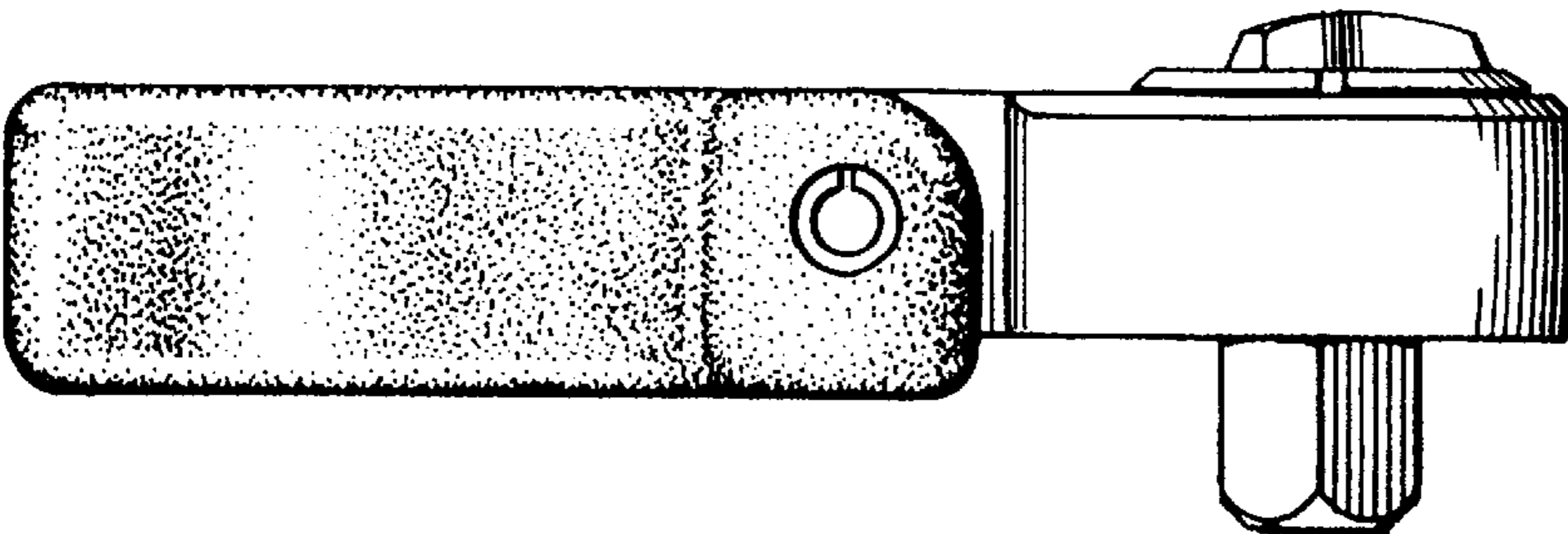


FIG 7

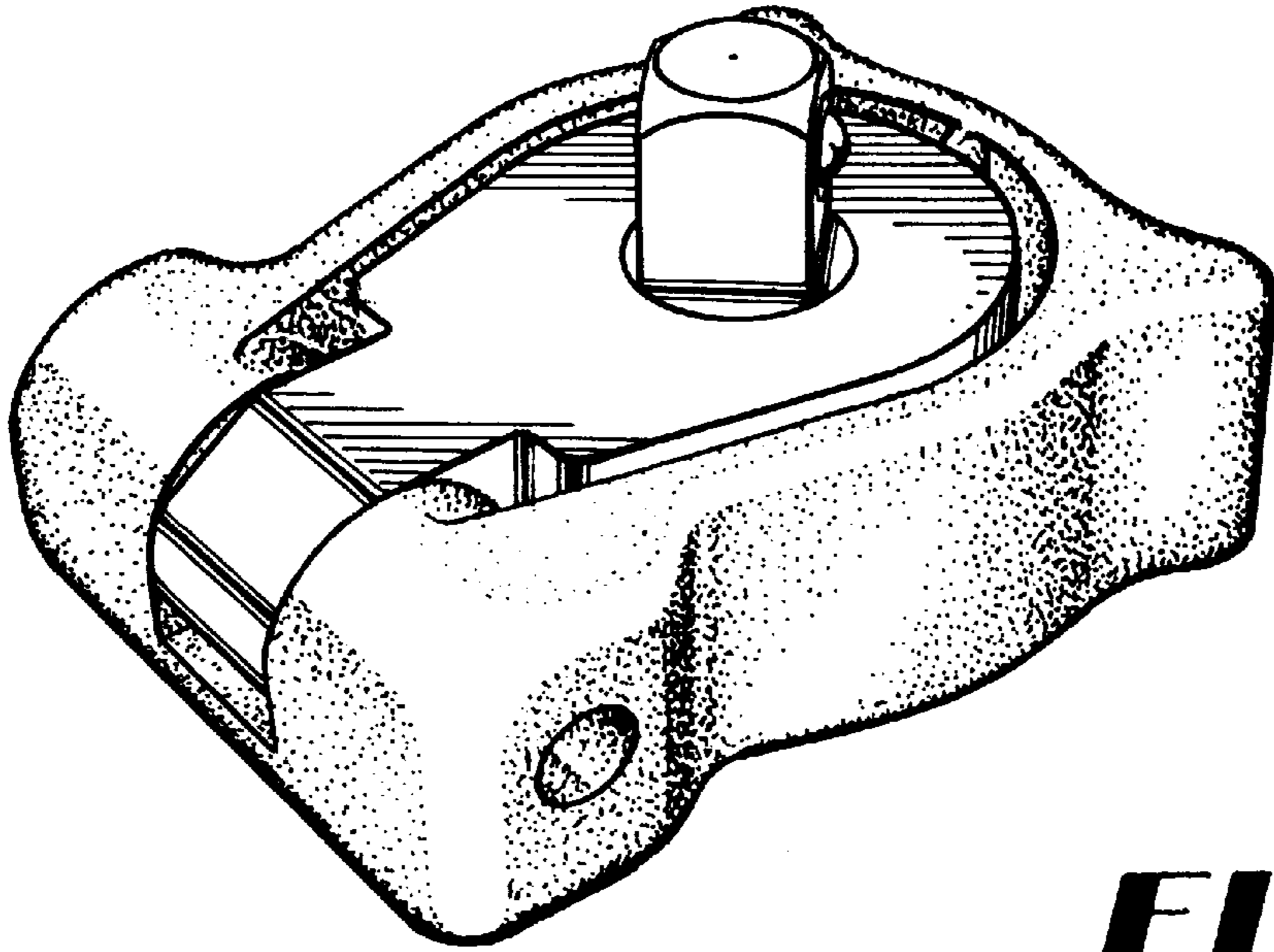


FIG 8

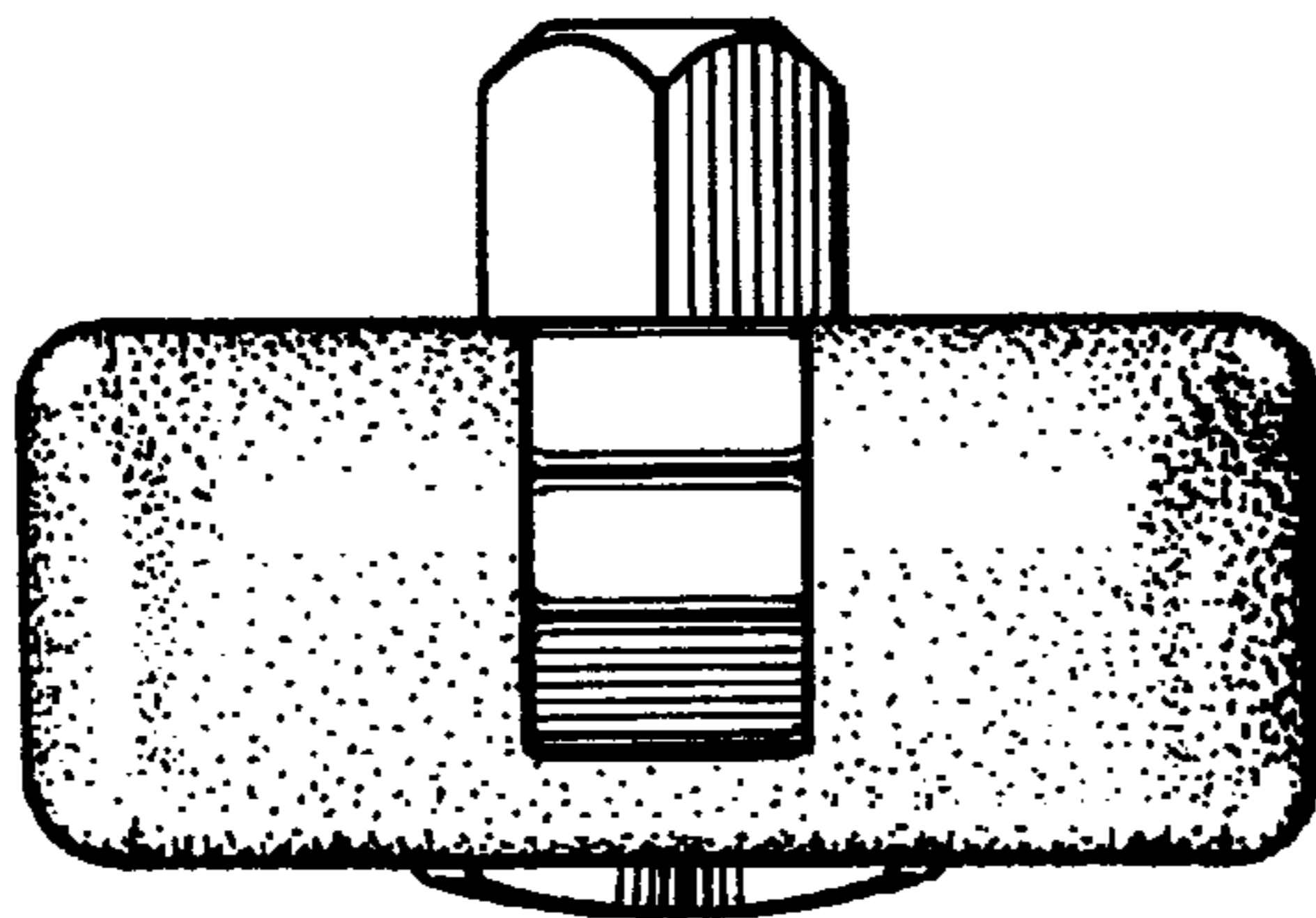


FIG 9

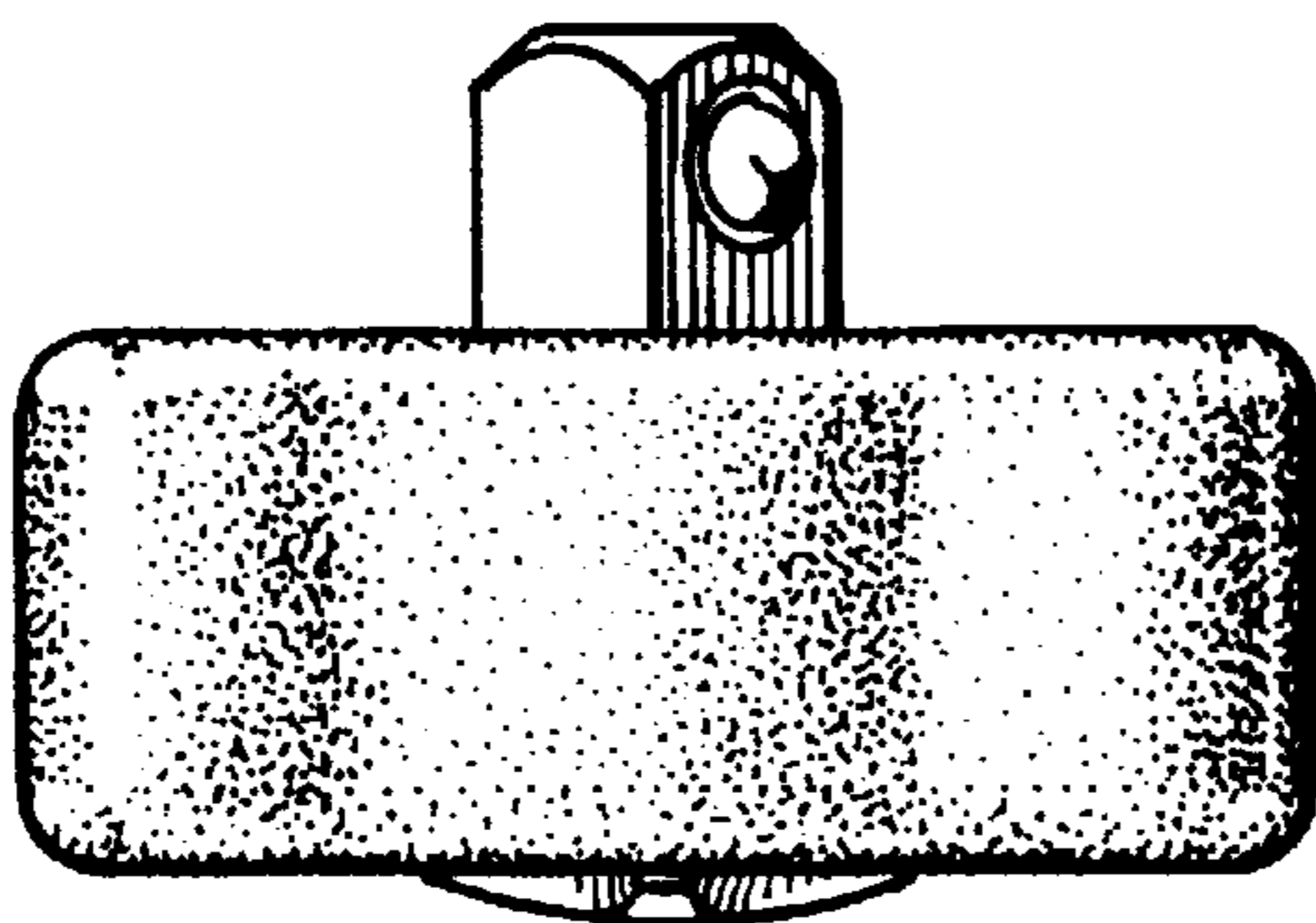


FIG 10

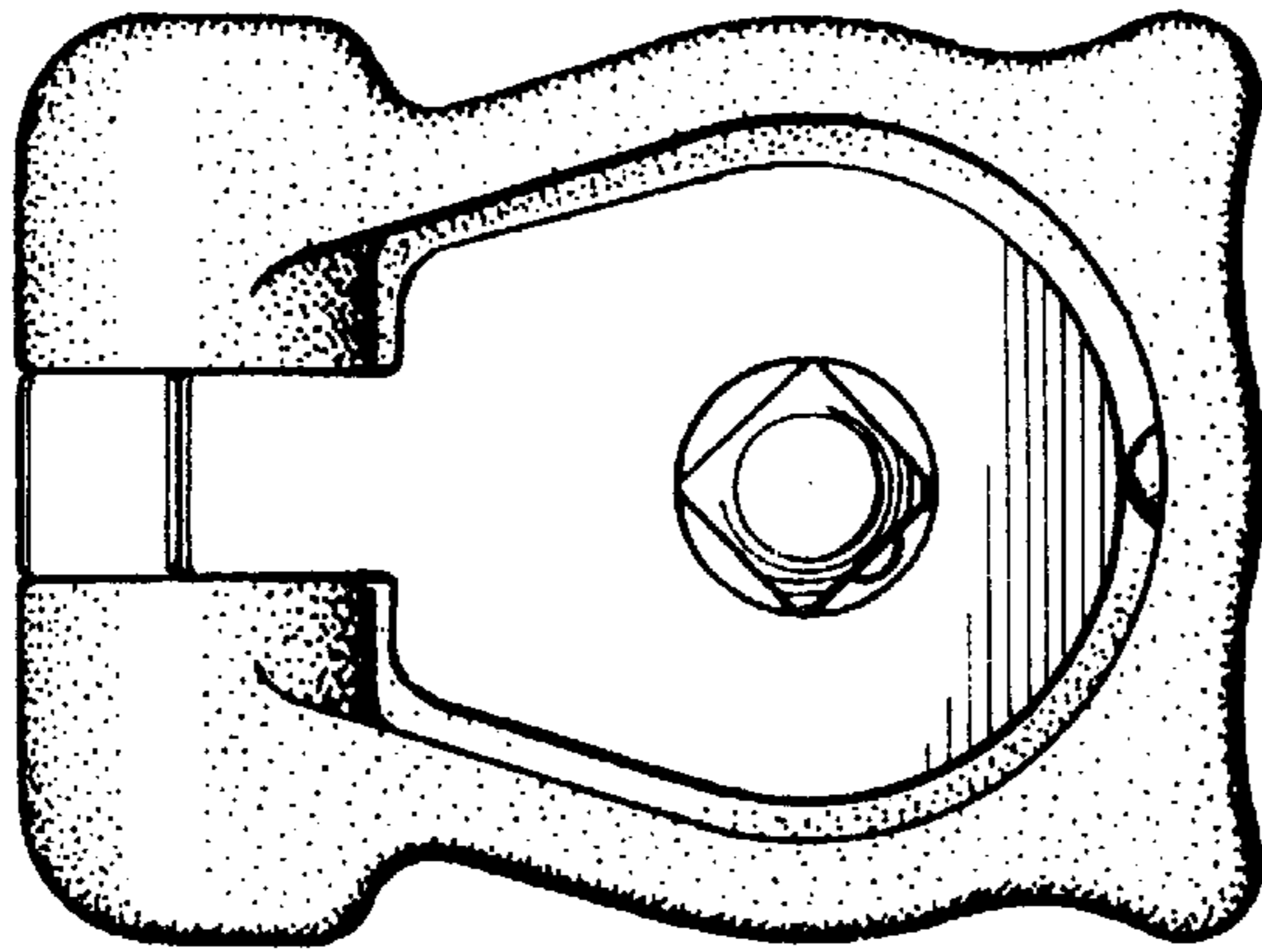


FIG 11

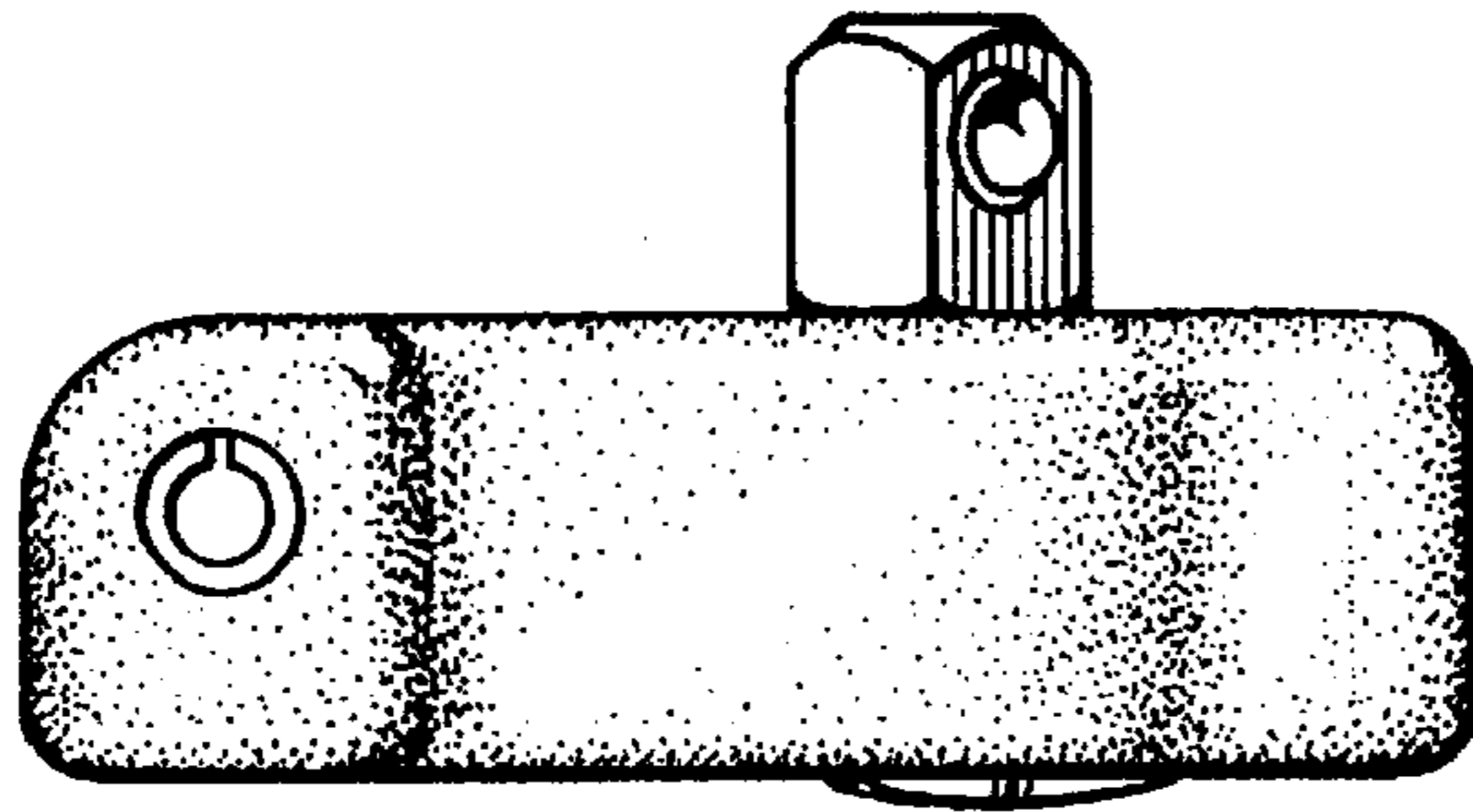


FIG 12

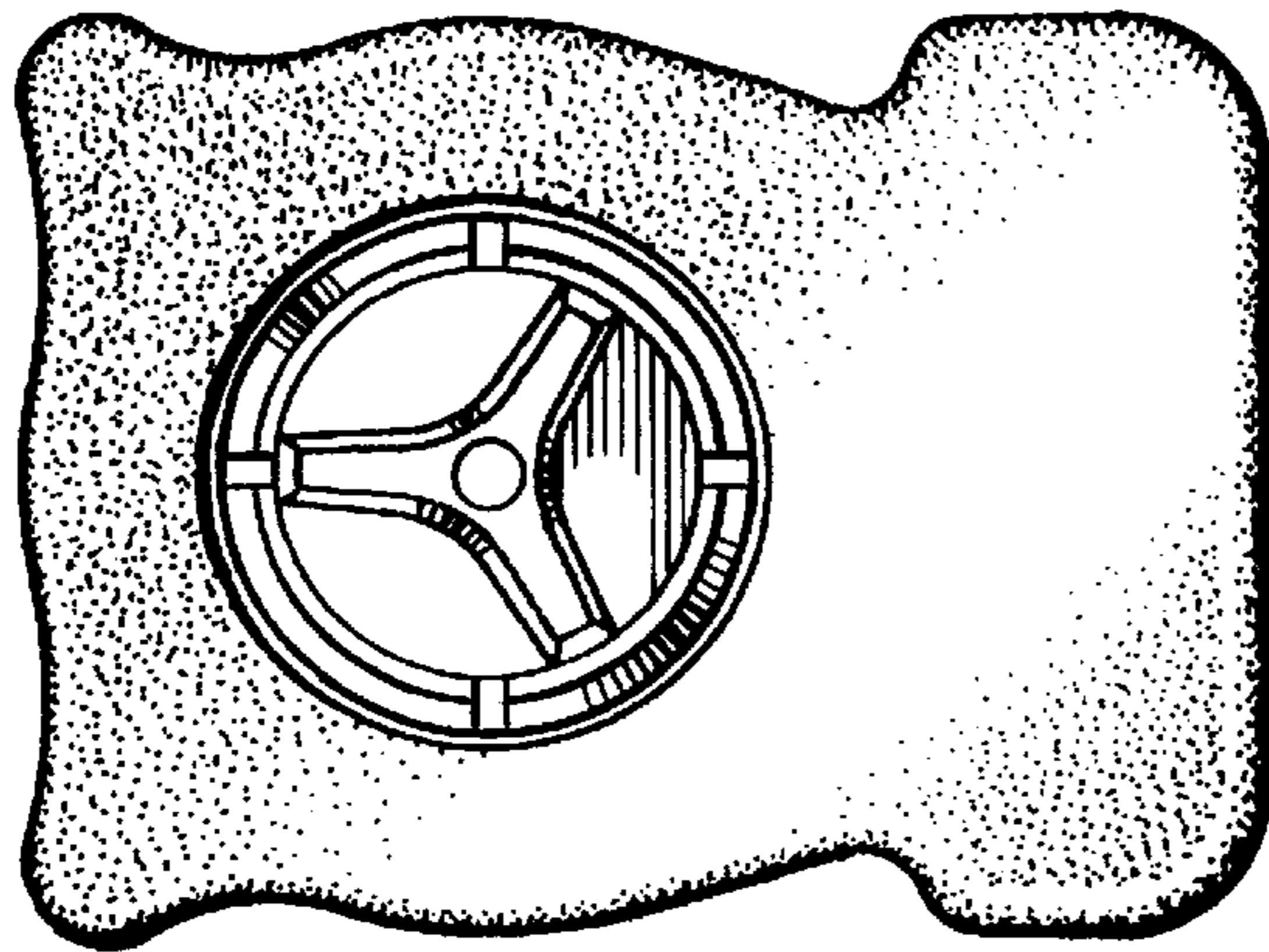


FIG 13

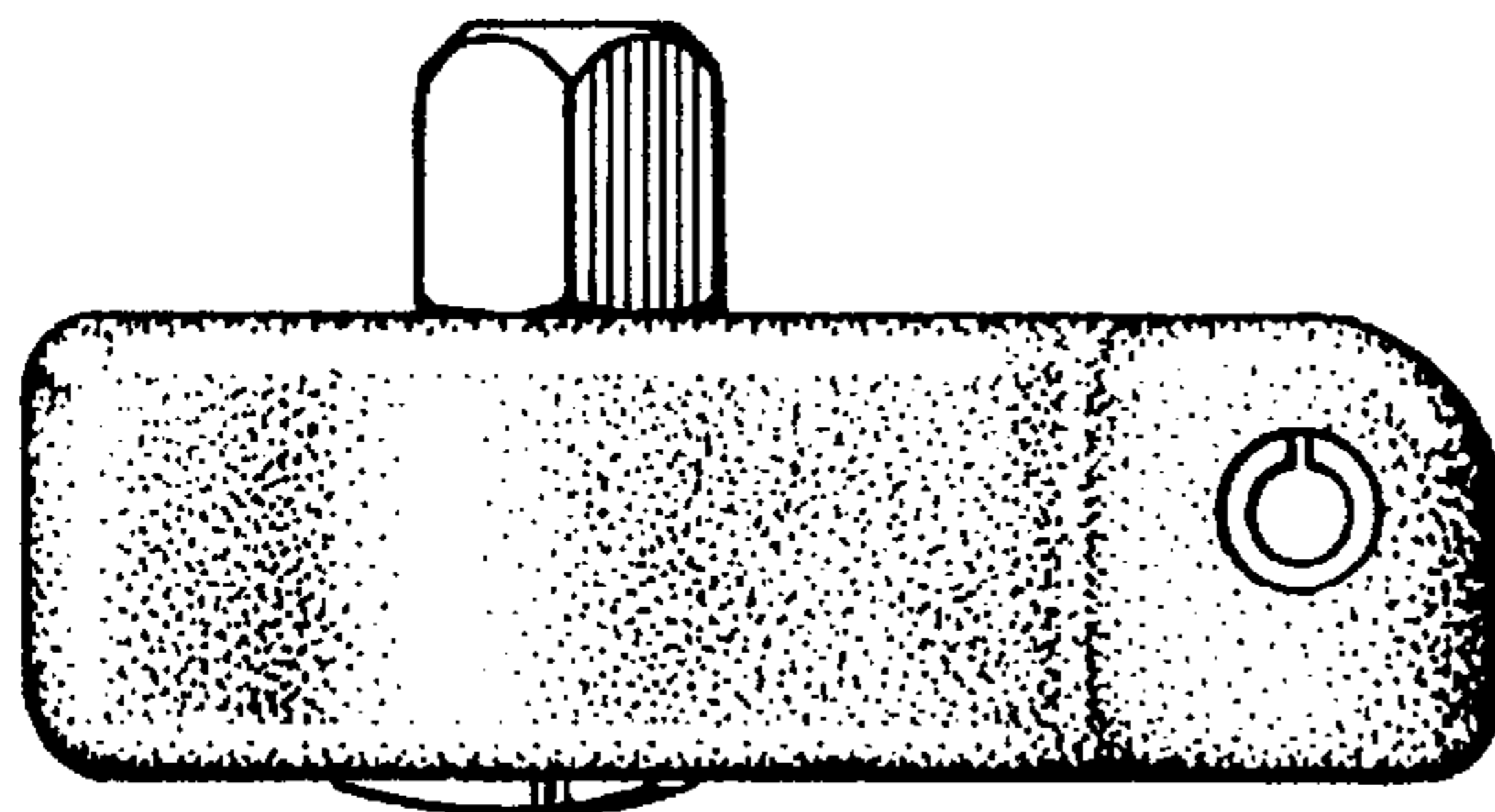


FIG 14