



US00D419831S

United States Patent [19]
Jaracz

[11] **Patent Number: Des. 419,831**
[45] **Date of Patent: ** Feb. 1, 2000**

[54] **HAM STORAGE CONTAINER**

[57] **CLAIM**

[76] Inventor: **Donna Jean A Jaracz**, 15314 Semrau,
Eastpointe, Mich. 48021

The ornamental design for a ham storage container, as shown.

[**] Term: **14 Years**

DESCRIPTION

[21] Appl. No.: **29/098,880**

FIG. 1 is a front elevational view of the ham storage container of the present design;

[22] Filed: **Jan. 7, 1999**

FIG. 2 is a back elevational view of the ham storage container of FIG. 1;

[51] **LOC (7) Cl.** **07-07**

FIG. 3 is a left side elevational view of the ham storage container of FIG. 1;

[52] **U.S. Cl.** **D7/628**

FIG. 4 is a right side elevational view of the ham storage container of FIG. 1;

[58] **Field of Search** D7/538-542, 550-554,
D7/602, 628-630; 206/457; 220/574, 660,
675, 780, 796

FIG. 5 is a top plan view of the ham storage container of FIG. 1; and,

FIG. 6 is a bottom plan view of the ham storage container of FIG. 1.

[56] **References Cited**

U.S. PATENT DOCUMENTS

D. 332,202 1/1993 Mosa D7/539 X

Primary Examiner—Terry A. Wallace

1 Claim, 3 Drawing Sheets

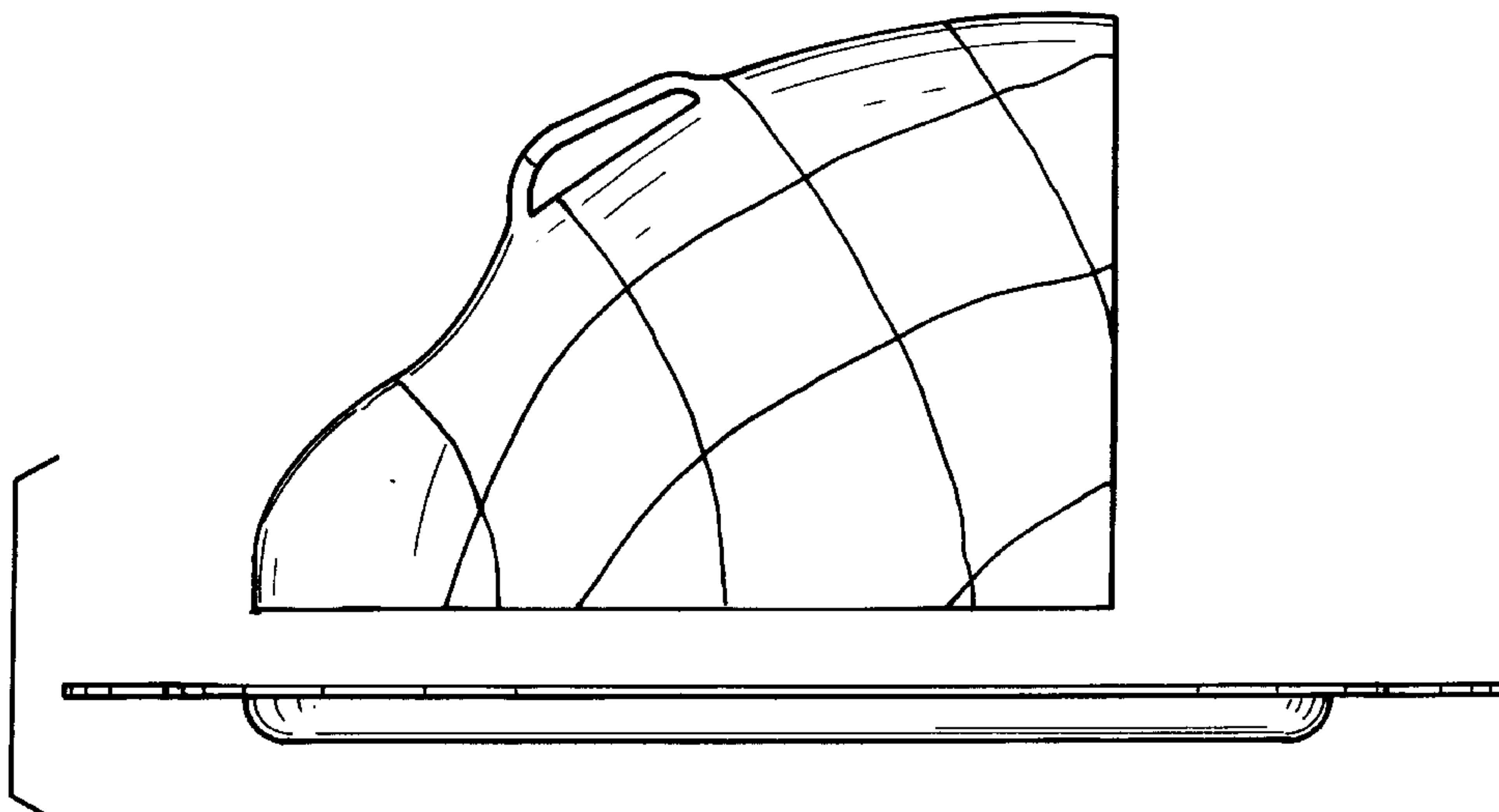
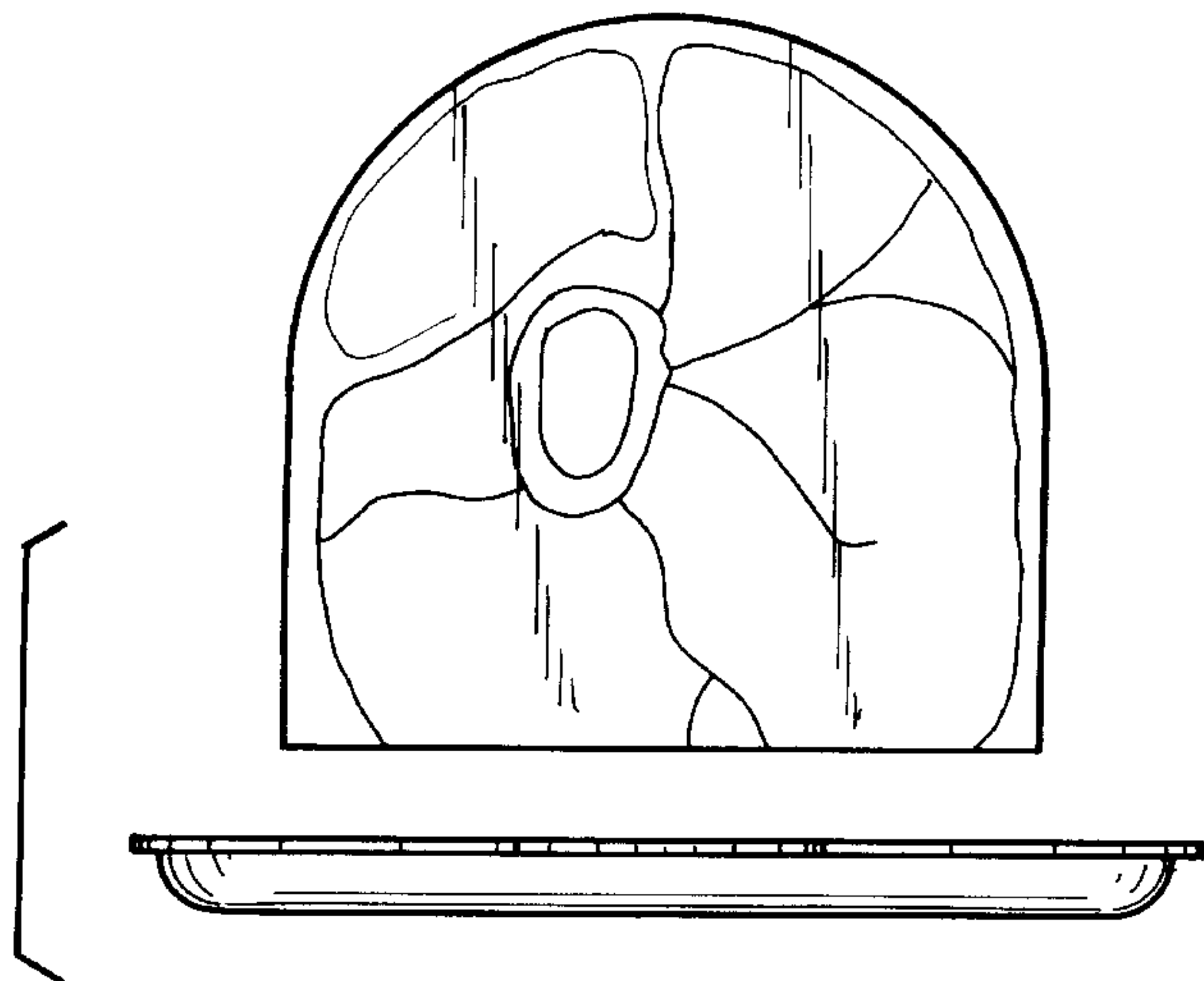


FIG. 1

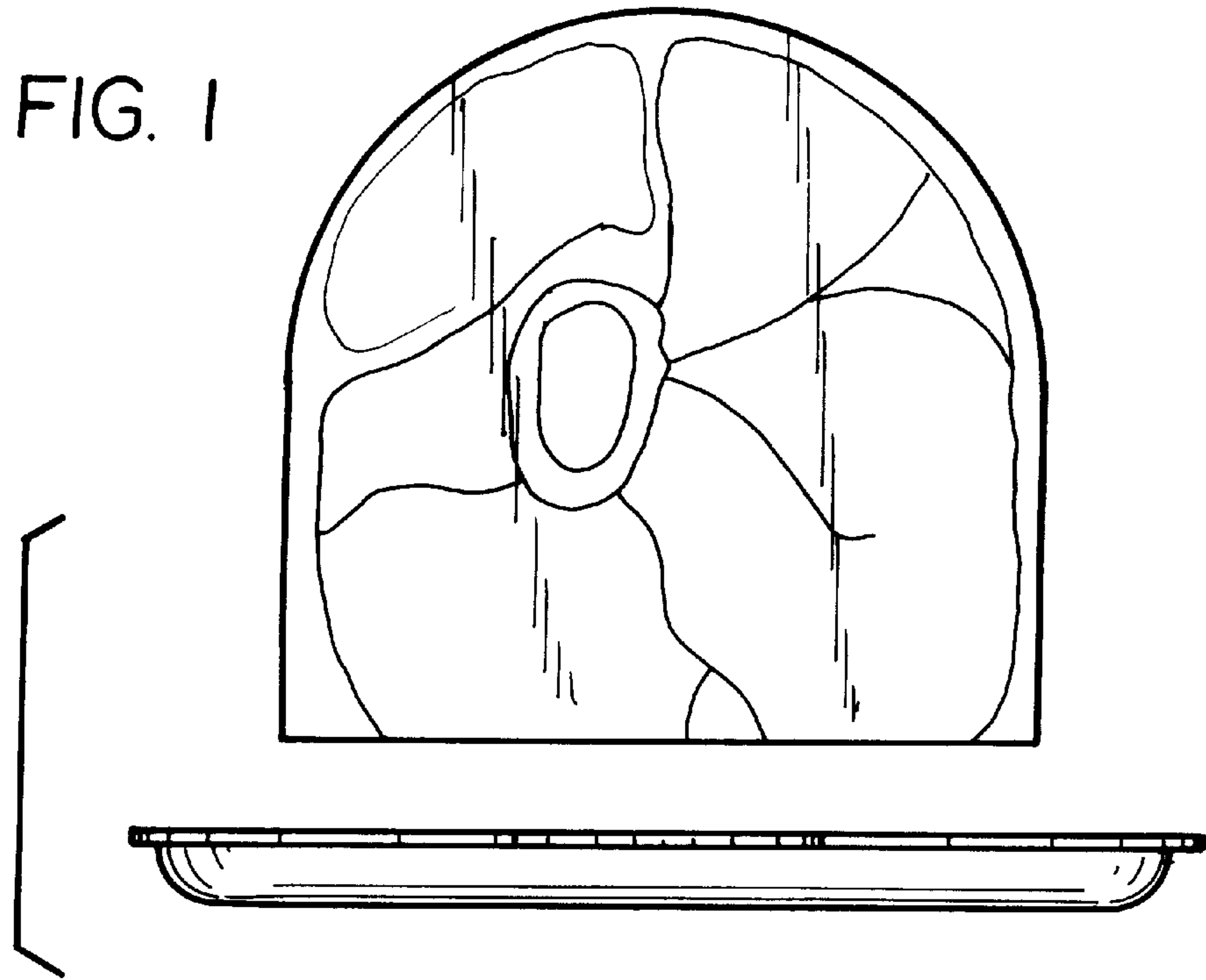


FIG. 2

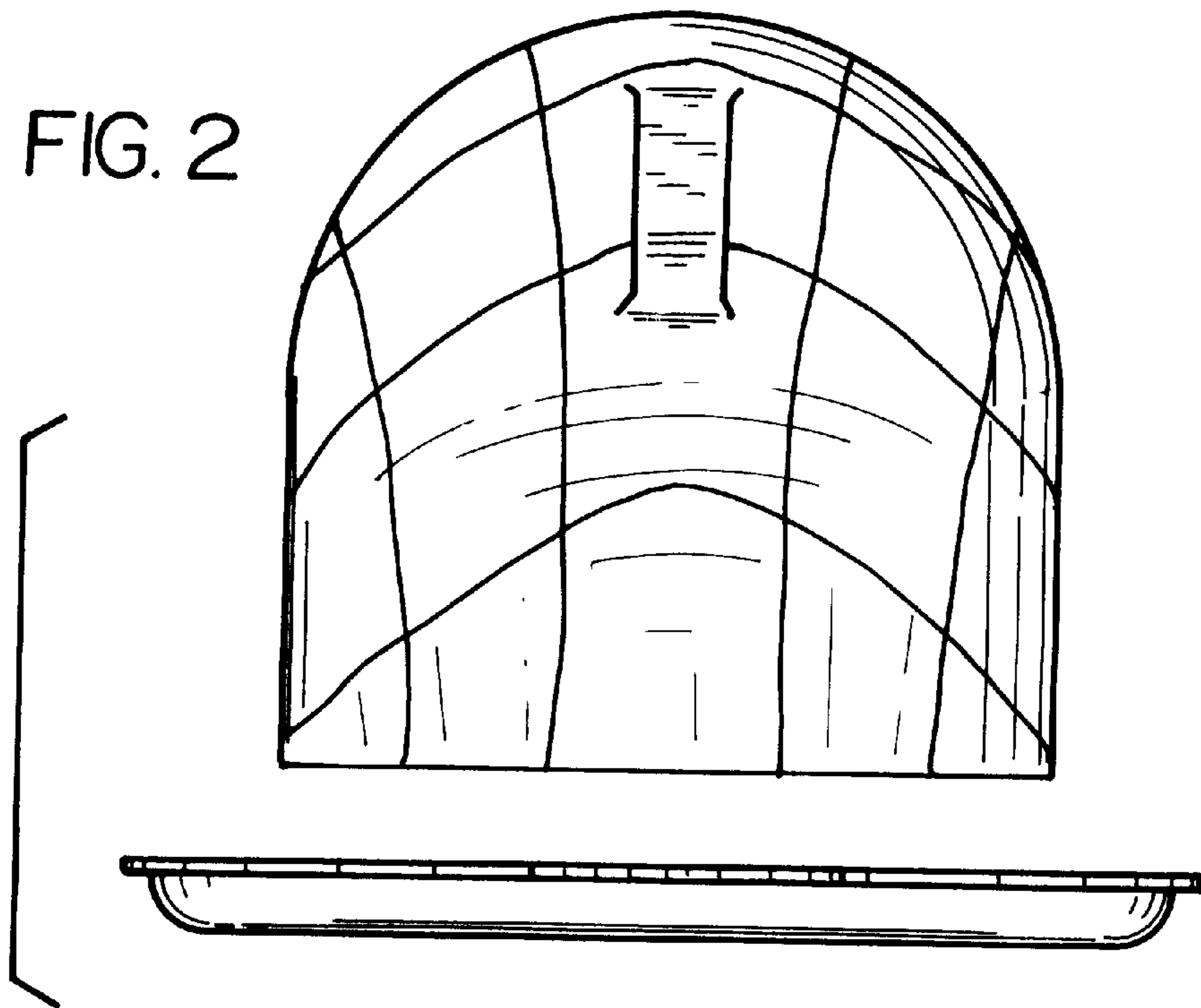


FIG. 3

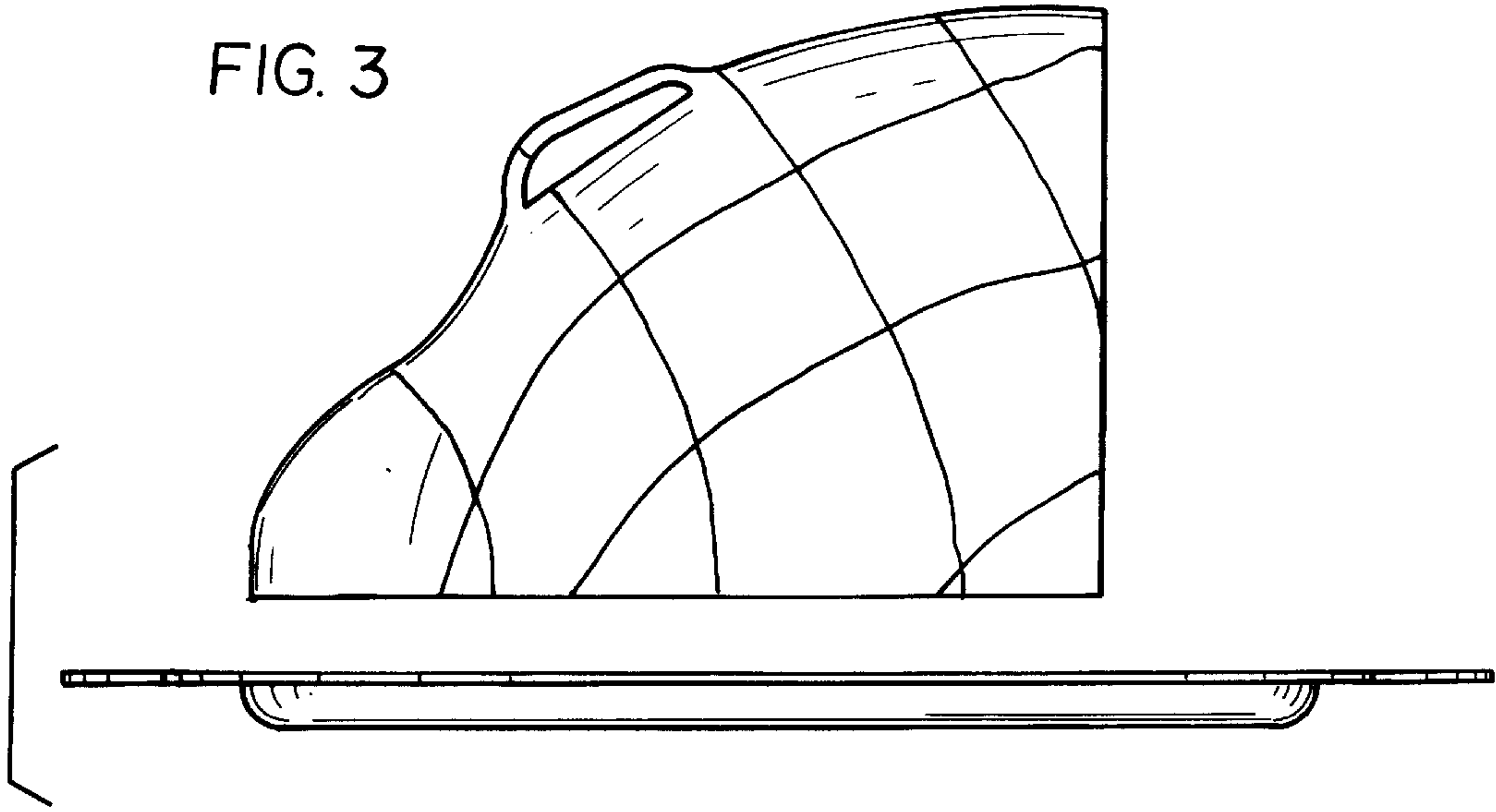


FIG. 4

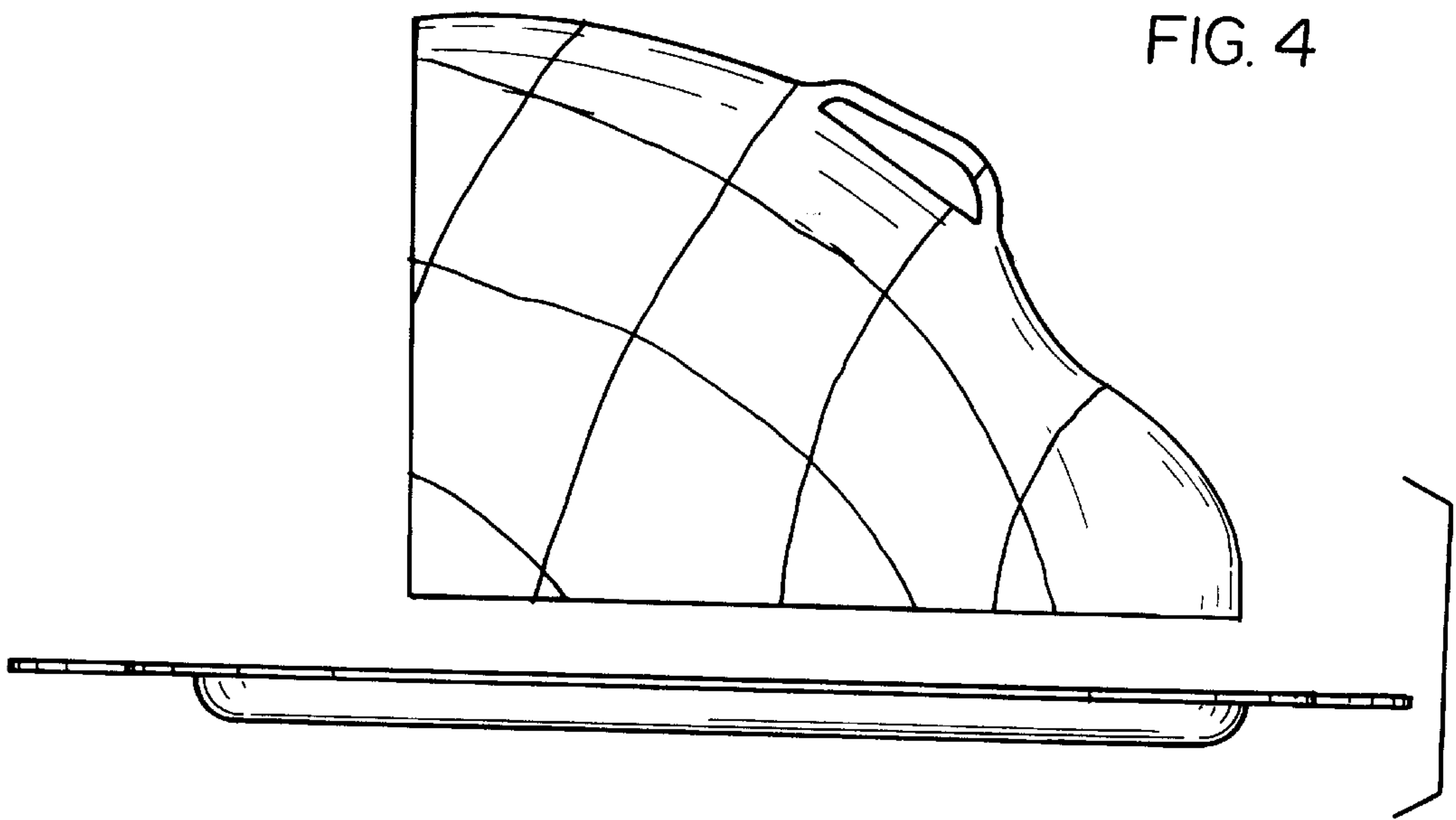


FIG. 5

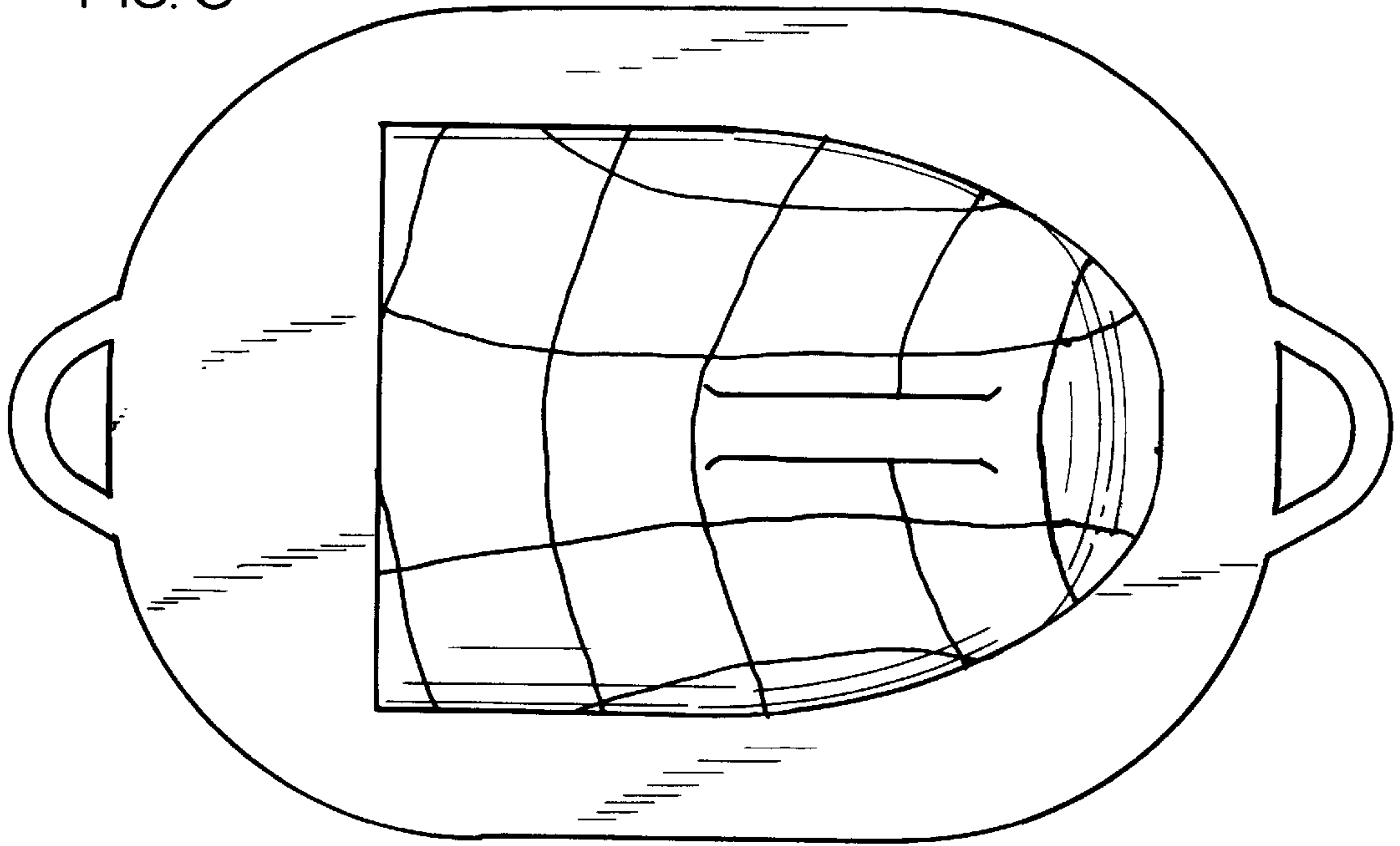


FIG. 6

