



US00D419825S

United States Patent [19]
Derington

[11] **Patent Number: Des. 419,825**
[45] **Date of Patent: ** Feb. 1, 2000**

[54] **ICE SCOOP HANDLE**

[76] Inventor: **Laura Derington**, 23551 Norwood,
Oakpark, Mich. 48237

[**] Term: **14 Years**

[21] Appl. No.: **29/095,157**

[22] Filed: **Oct. 15, 1998**

[51] **LOC (7) Cl.** **07-02**

[52] **U.S. Cl.** **D7/395; D7/401.2**

[58] **Field of Search** D7/395, 401.2,
D7/681-696; 16/111 R, 114 R, 114 A, 116 R,
DIG. 12; 30/322-328; D8/300, 303

[56] **References Cited**

U.S. PATENT DOCUMENTS

D. 381,556 7/1997 Cohen et al. D7/395

Primary Examiner—Terry A. Wallace

[57] **CLAIM**

The ornamental design for a ice scoop handle, as shown and described.

DESCRIPTION

FIG. 1 is a top plan view of the ice scoop handle of the present invention;

FIG. 2 is a bottom plan view of the ice scoop handle of FIG. 1;

FIG. 3 is a right side elevational view of the ice scoop handle of FIG. 1;

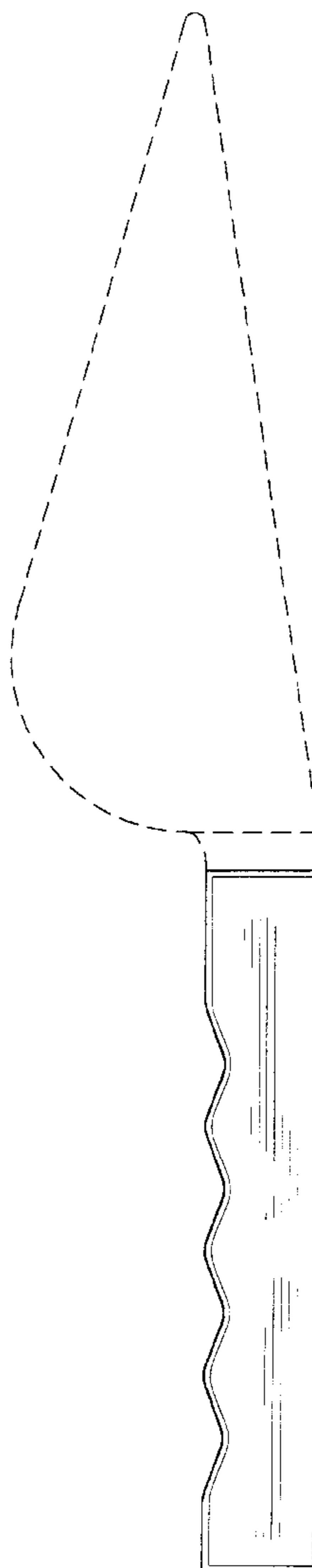
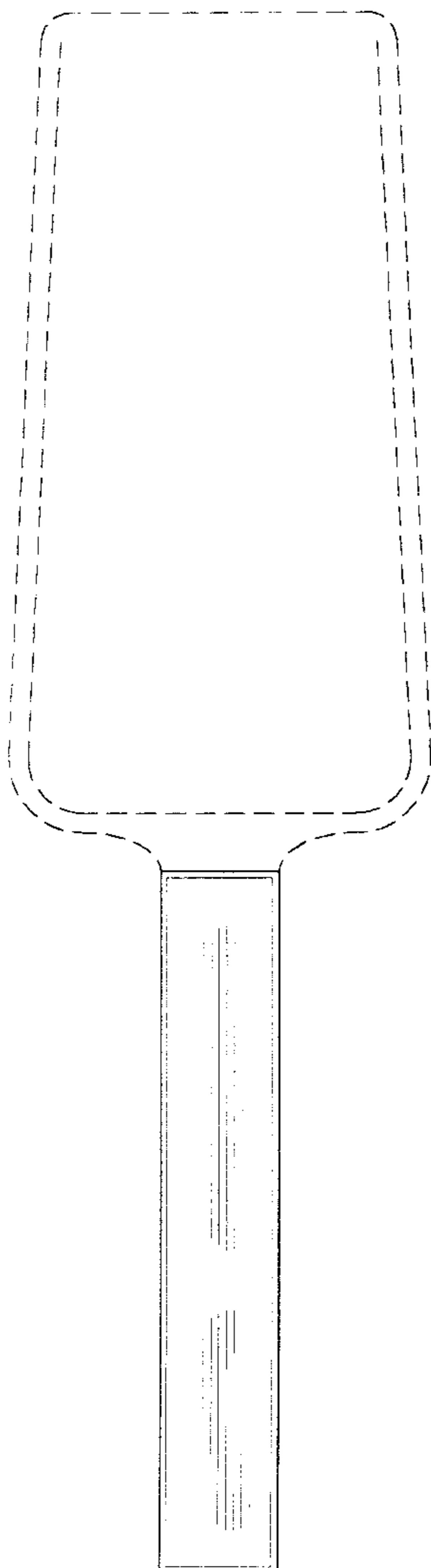
FIG. 4 is a left side elevational view of the ice scoop handle of FIG. 1;

FIG. 5 is a front elevational view of the ice scoop handle of FIG. 1; and,

FIG. 6 is a back elevational view of the ice scoop handle of FIG. 1.

The broken lines showing of an ice scoop in FIGS. 1-6 is for illustrative purposes only and forms no part of the claimed invention.

1 Claim, 3 Drawing Sheets



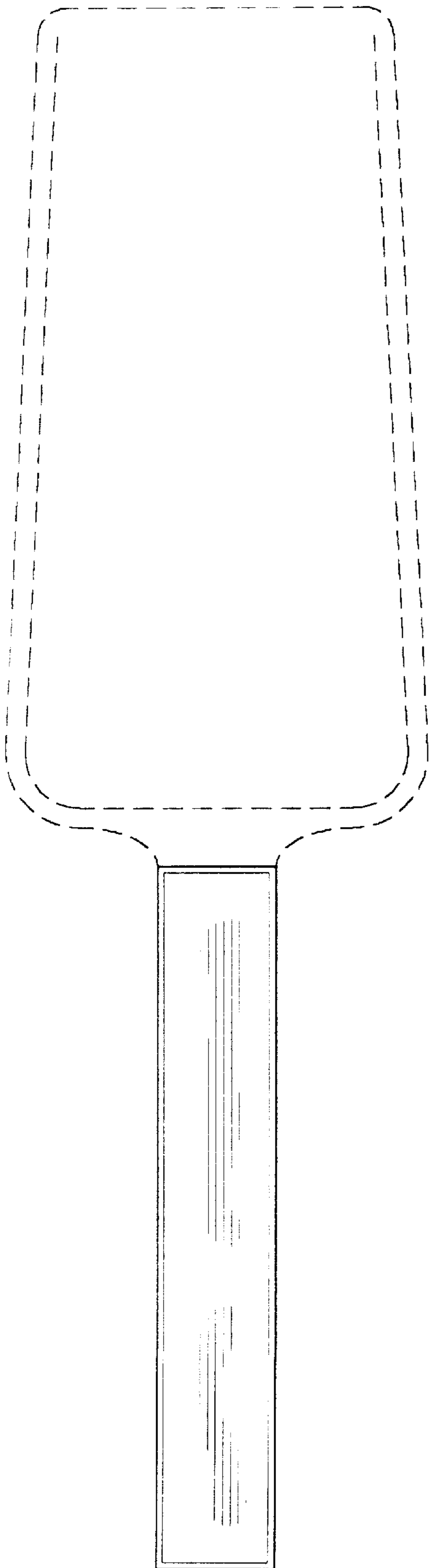


Fig. 1

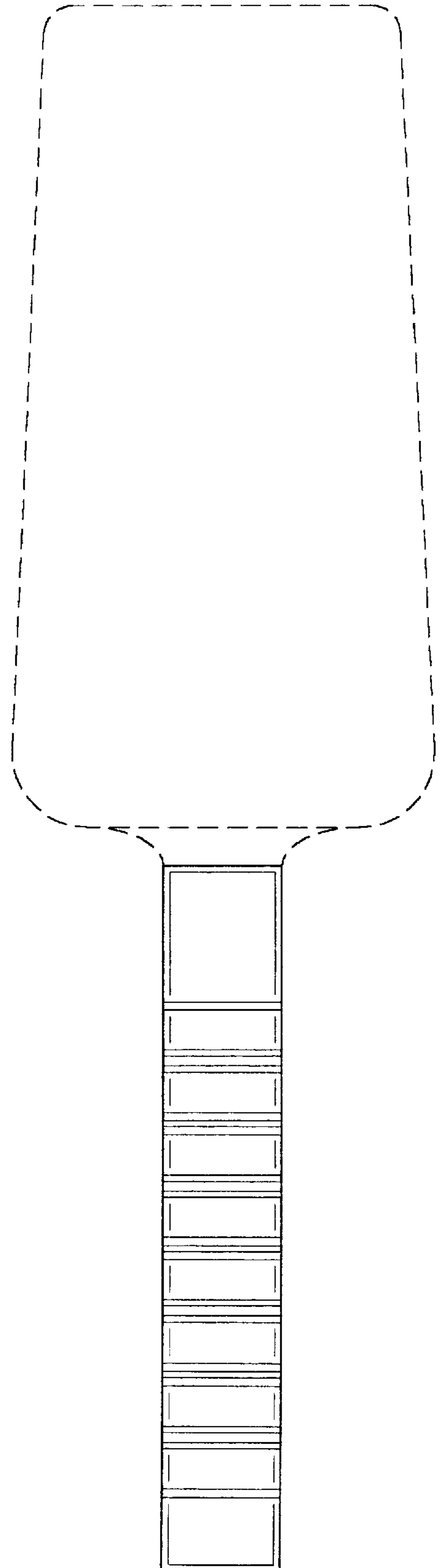


Fig. 2

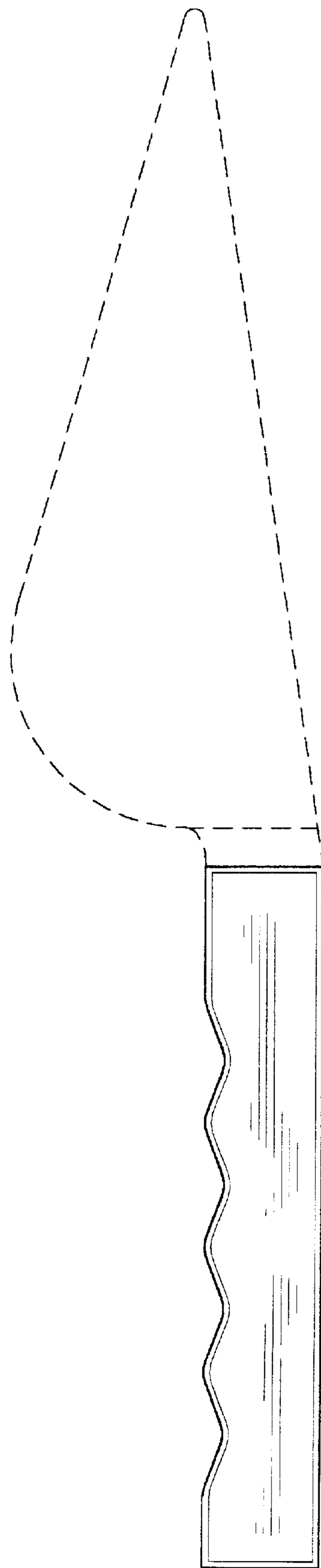


Fig. 3

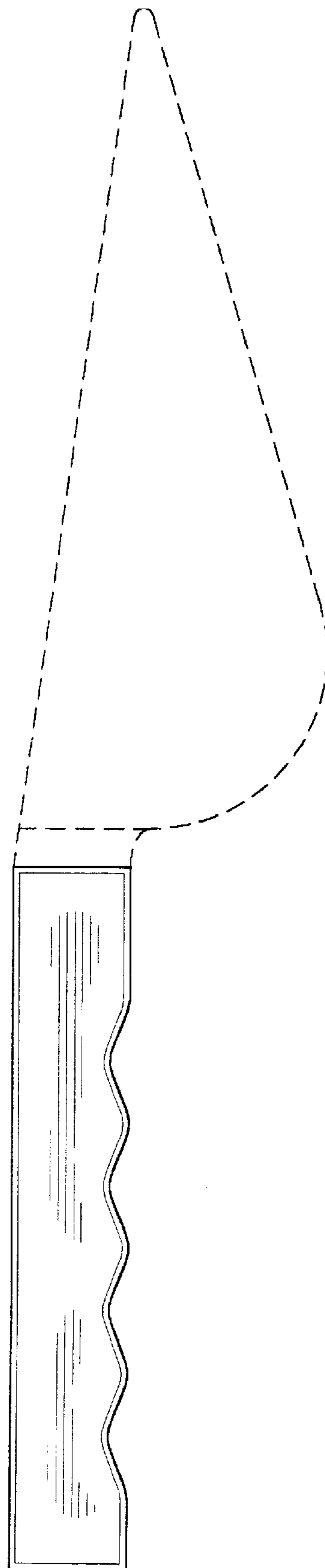


Fig. 4

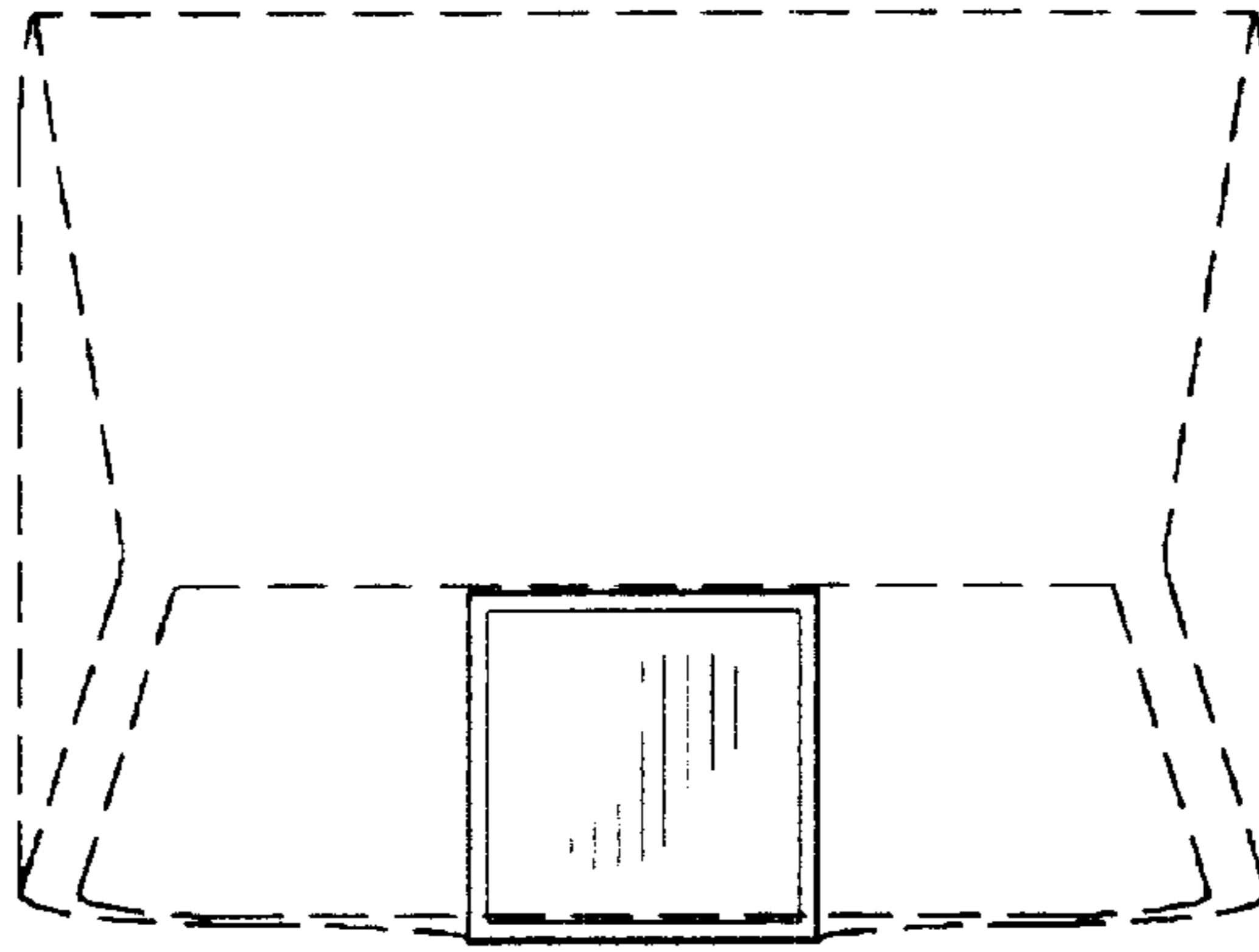


Fig. 5

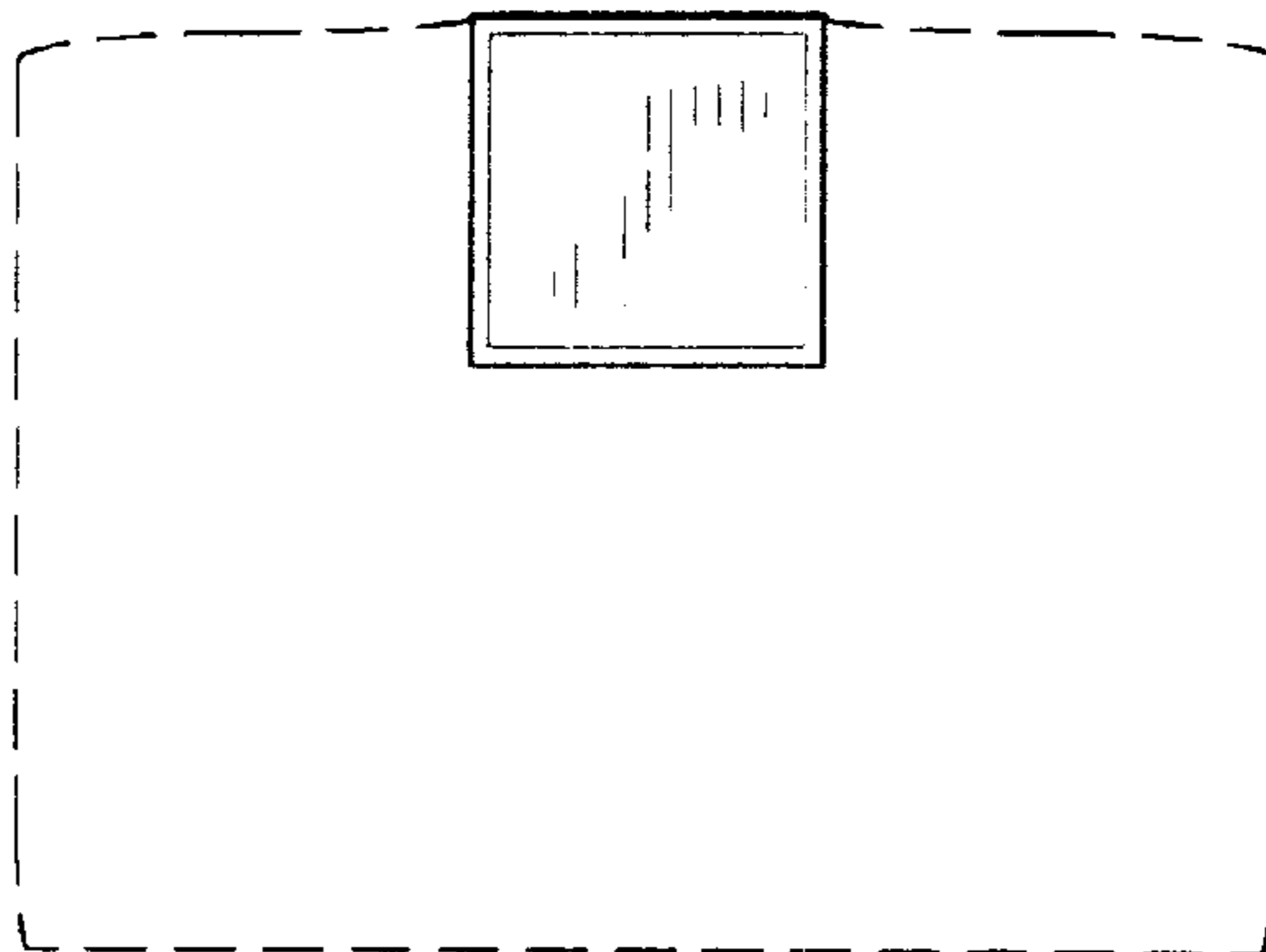


Fig. 6