



US00D419824S

United States Patent [19]

Sham et al.

[11] Patent Number: **Des. 419,824**

[45] Date of Patent: **** Feb. 1, 2000**

[54] **DEEP FRYER**

[75] Inventors: **John C. K. Sham**, Hong Kong, The Hong Kong Special Administrative Region of the People's Republic of China; **Kumkit KunavongVorakul**, Bangkok, Thailand

[73] Assignee: **Wing Shing Products (BVI) Co., Ltd.**, Aberdeen, The Hong Kong Special Administrative Region of the People's Republic of China

[**] Term: **14 Years**

[21] Appl. No.: **29/097,614**

[22] Filed: **Dec. 10, 1998**

[51] **LOC (7) Cl.** **07-02**

[52] **U.S. Cl.** **D7/354**

[58] **Field of Search** D7/232, 354-361, D7/331, 350; 99/403, 408, 410, 416, 336

[56] **References Cited**

U.S. PATENT DOCUMENTS

D. 322,910	1/1992	Stutzer et al.	D7/354
D. 345,281	3/1994	Mauffrey	D7/354
D. 369,505	5/1996	Philippe	D7/354
D. 386,646	11/1997	Wurth	D7/354

Primary Examiner—Caron D. Veynar
Attorney, Agent, or Firm—Salzman & Levy

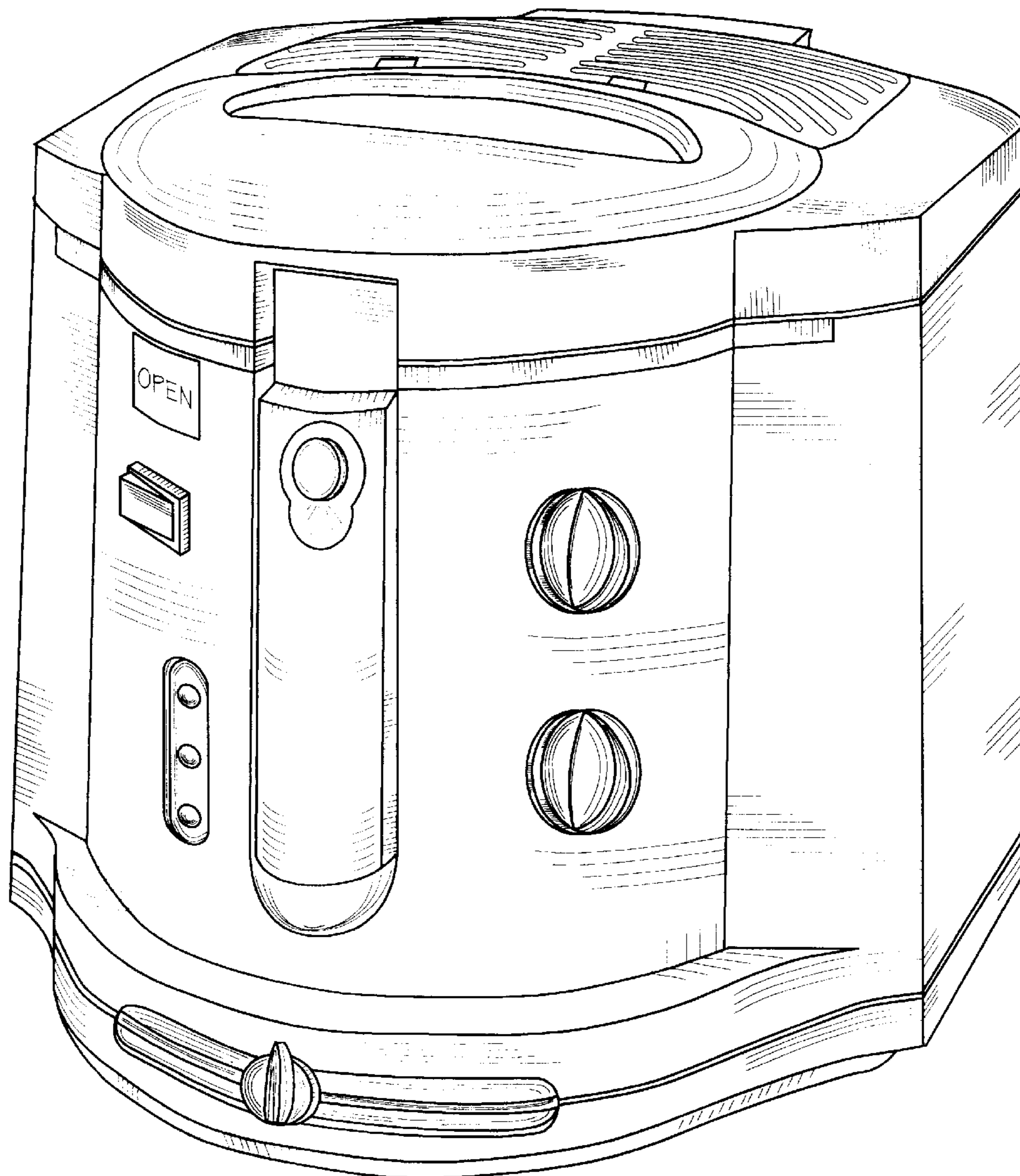
[57] **CLAIM**

The ornamental design for a deep fryer, as shown and described.

DESCRIPTION

FIG. 1 is a front elevational view of the deep fryer; FIG. 2 is a back elevational view of the deep fryer; FIG. 3 is a right elevational view of the deep fryer; FIG. 4 is a top elevational view of the deep fryer; FIG. 5 is a bottom elevational view of the deep fryer; and, FIG. 6 is a perspective view of the deep fryer.

1 Claim, 6 Drawing Sheets



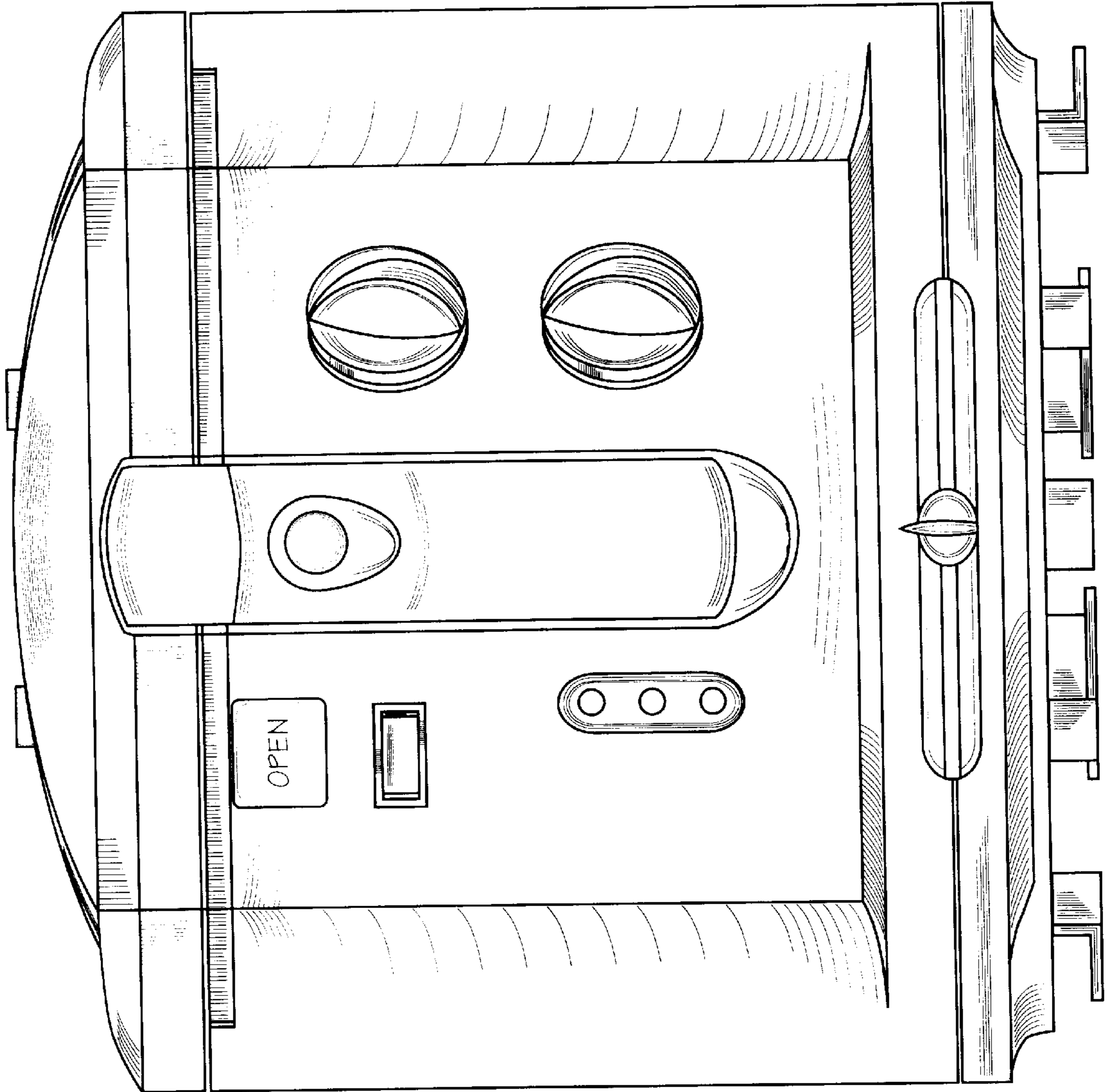


Figure 1

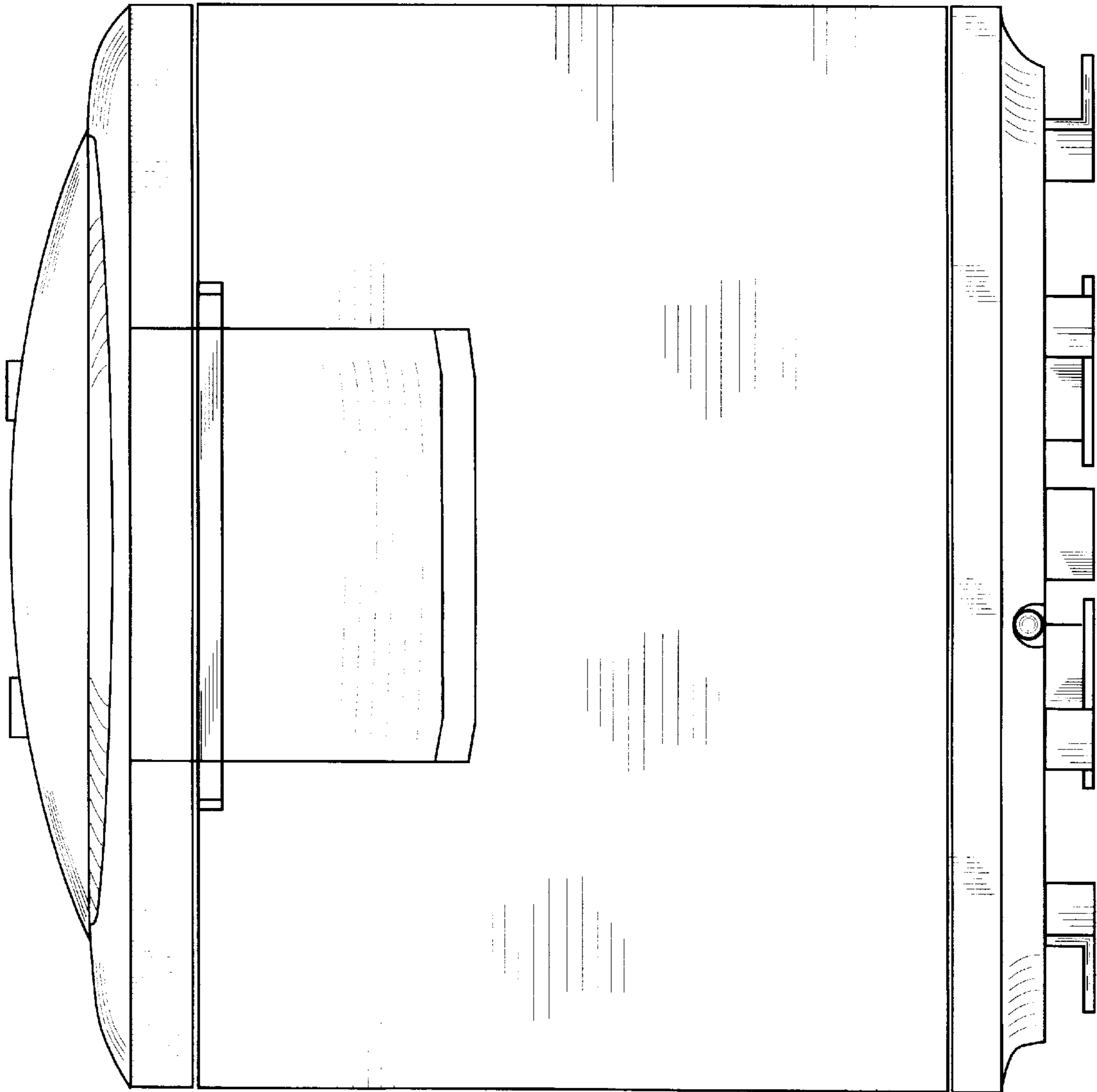


Figure 2

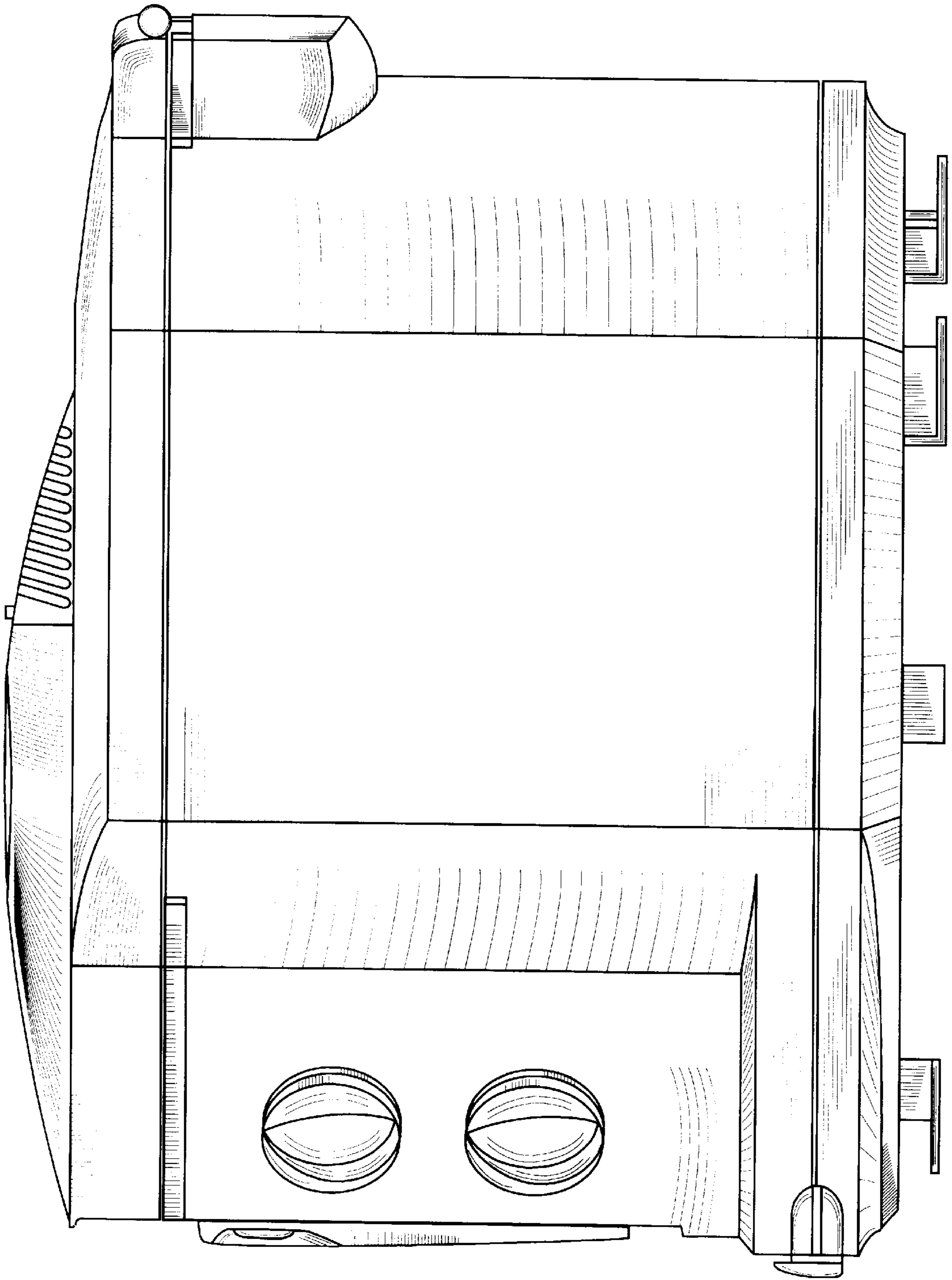


Figure 3

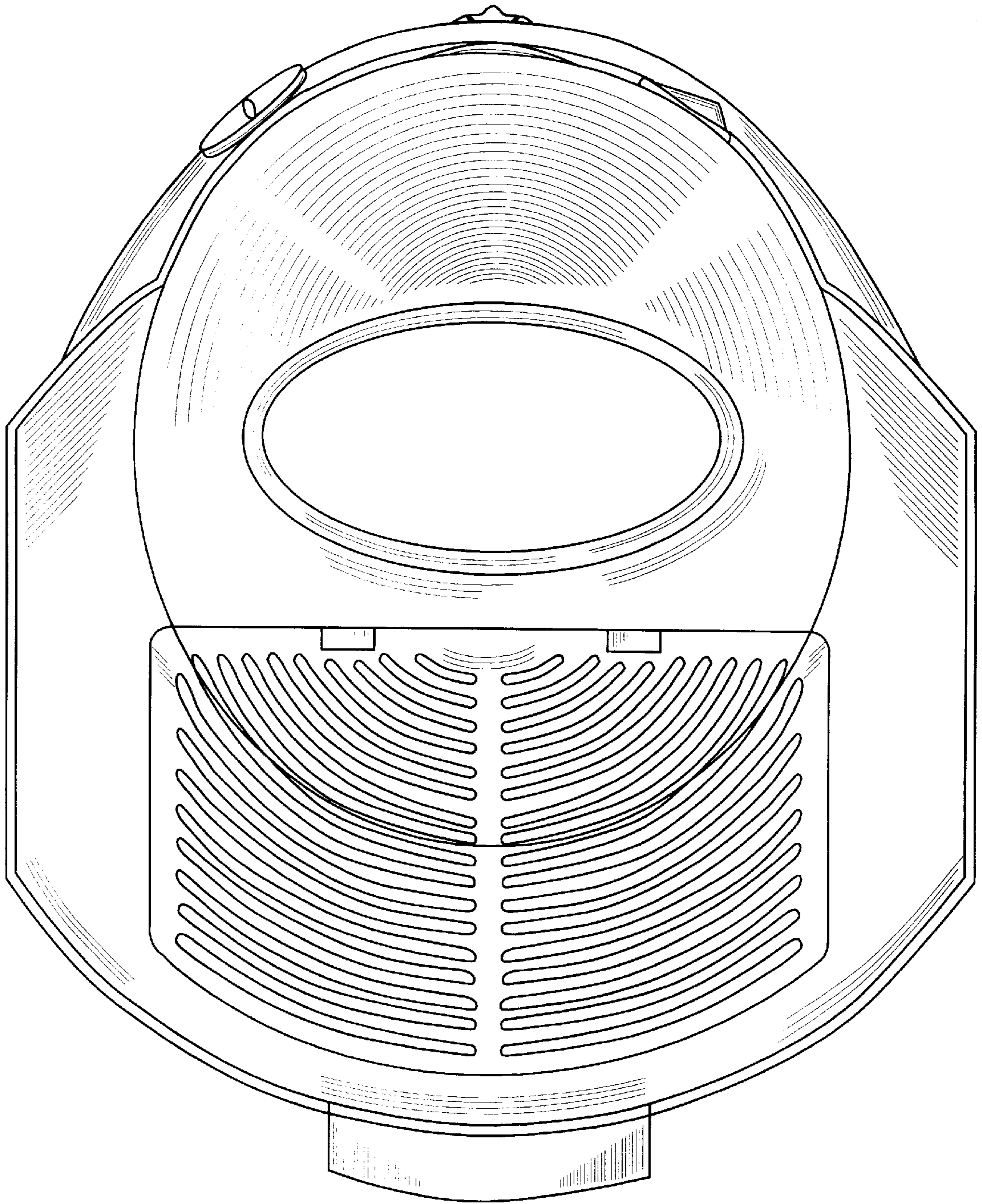


Figure 4

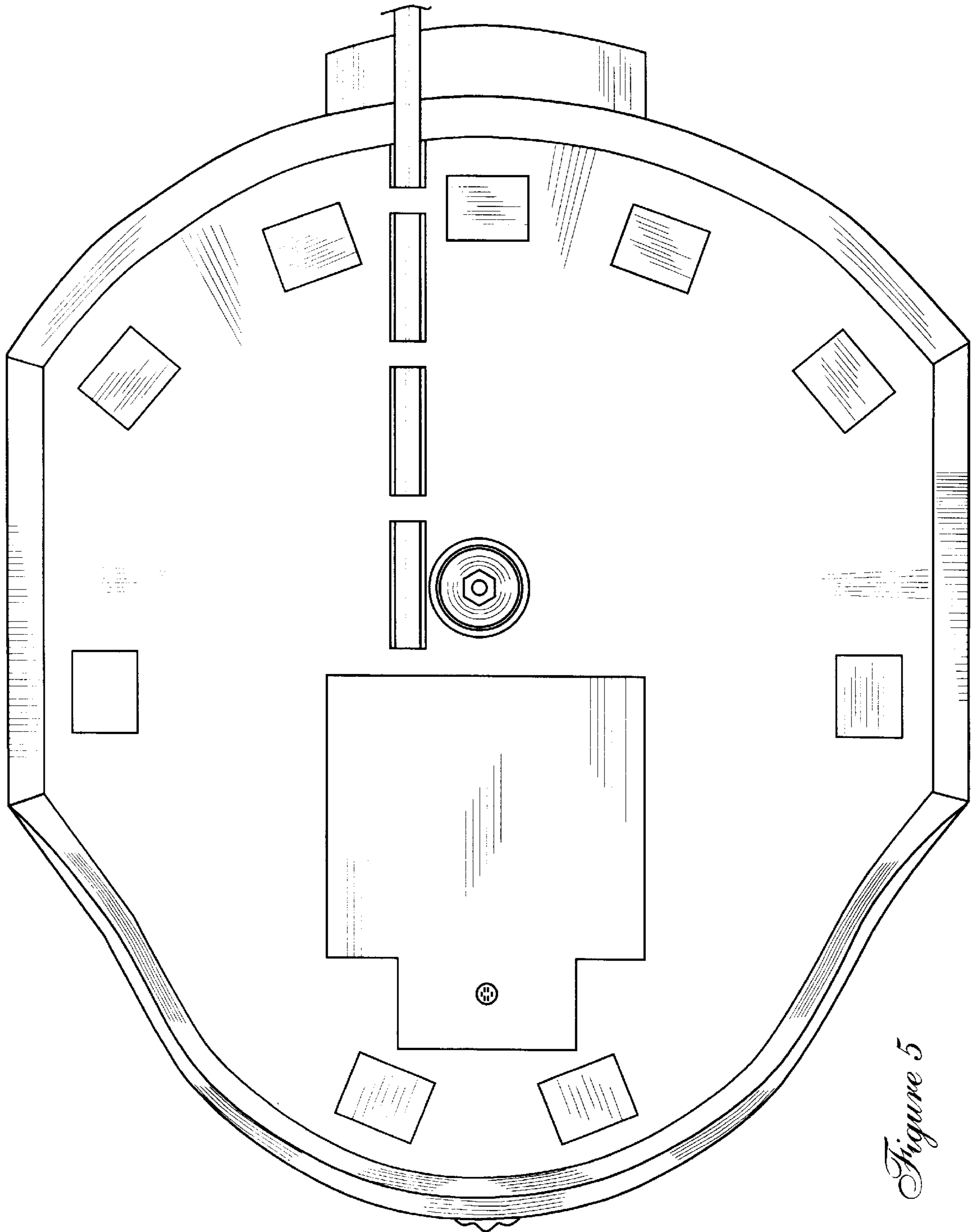


Figure 5

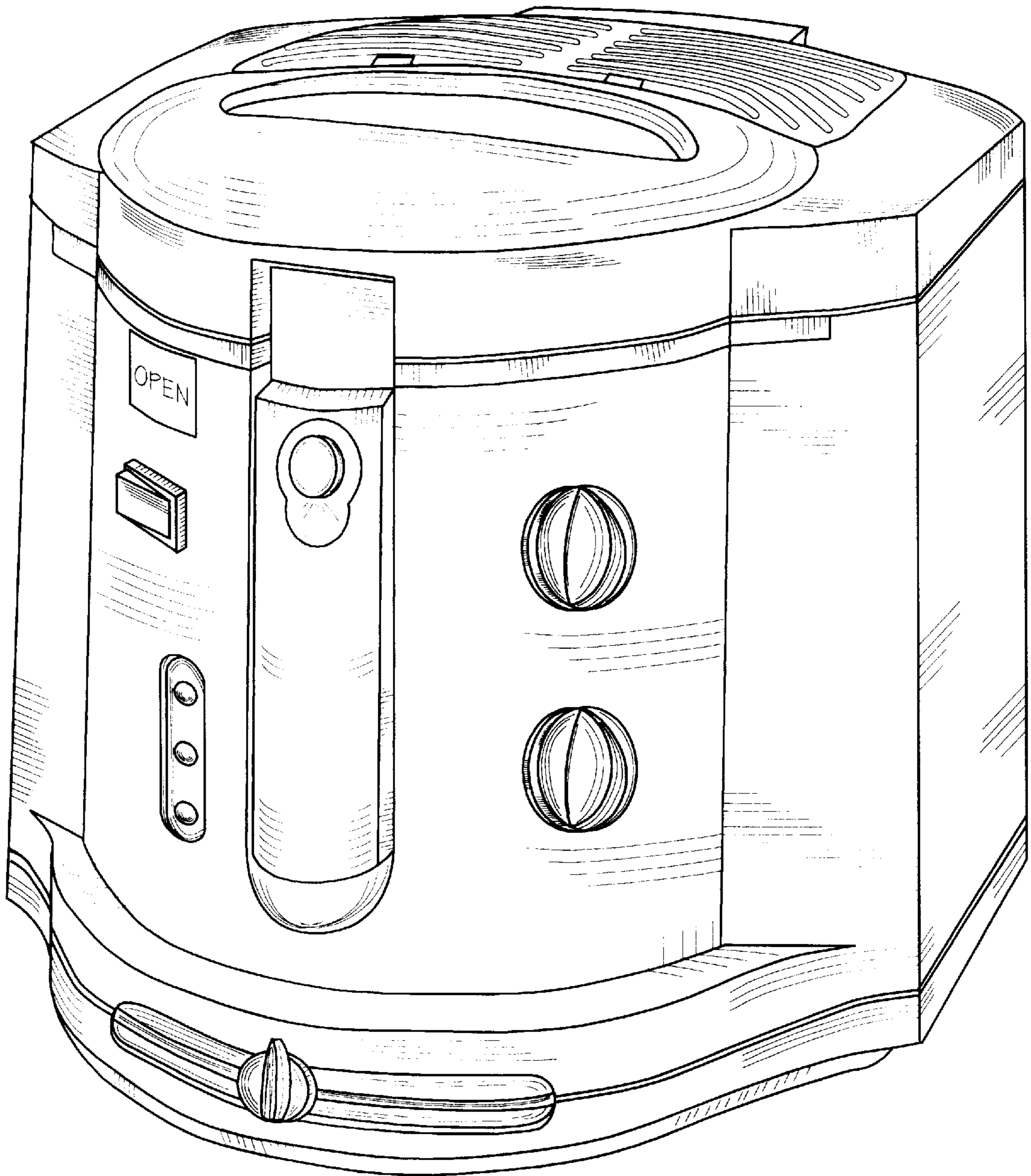


Figure 6