



US00D419823S

United States Patent [19] Choi

[11] **Patent Number: Des. 419,823**

[45] **Date of Patent: ** Feb. 1, 2000**

[54] **COOKER**

D. 299,609 1/1989 Madl D7/352
D. 309,844 8/1990 Storsberg D7/352
5,586,488 12/1996 Liu 99/331

[75] Inventor: **Lung Wai Choi**, Kowloon, The Hong Kong Special Administrative Region of the People's Republic of China

[73] Assignee: **Goodway Electrical Company Limited**, Kowloon, The Hong Kong Special Administrative Region of the People's Republic of China

[**] Term: **14 Years**

Primary Examiner—Caron D. Veynar
Attorney, Agent, or Firm—Shlesinger, Arkwright & Garvey LLP

[21] Appl. No.: **29/099,591**

[22] Filed: **Jan. 25, 1999**

[30] **Foreign Application Priority Data**

Jul. 27, 1998 [GB] United Kingdom 2076394

[51] **LOC (7) Cl.** **07-02**

[52] **U.S. Cl.** **D7/352**

[58] **Field of Search** D7/352, 353, 410,
D7/359, 363, 332; 99/331-333, 389-394,
372, 380, 376, 375

[57] **CLAIM**

The ornamental design for the cooker, as shown and described.

DESCRIPTION

FIG. 1 is a top perspective view of a cooker showing a preferred embodiment of my design;

FIG. 2 is a bottom perspective view of the cooker of FIG. 1;

FIG. 3 is a left side view of the cooker of FIG. 1; the right side view being a mirror image thereof; and,

FIG. 4 is a rear view of the cooker of FIG. 1.

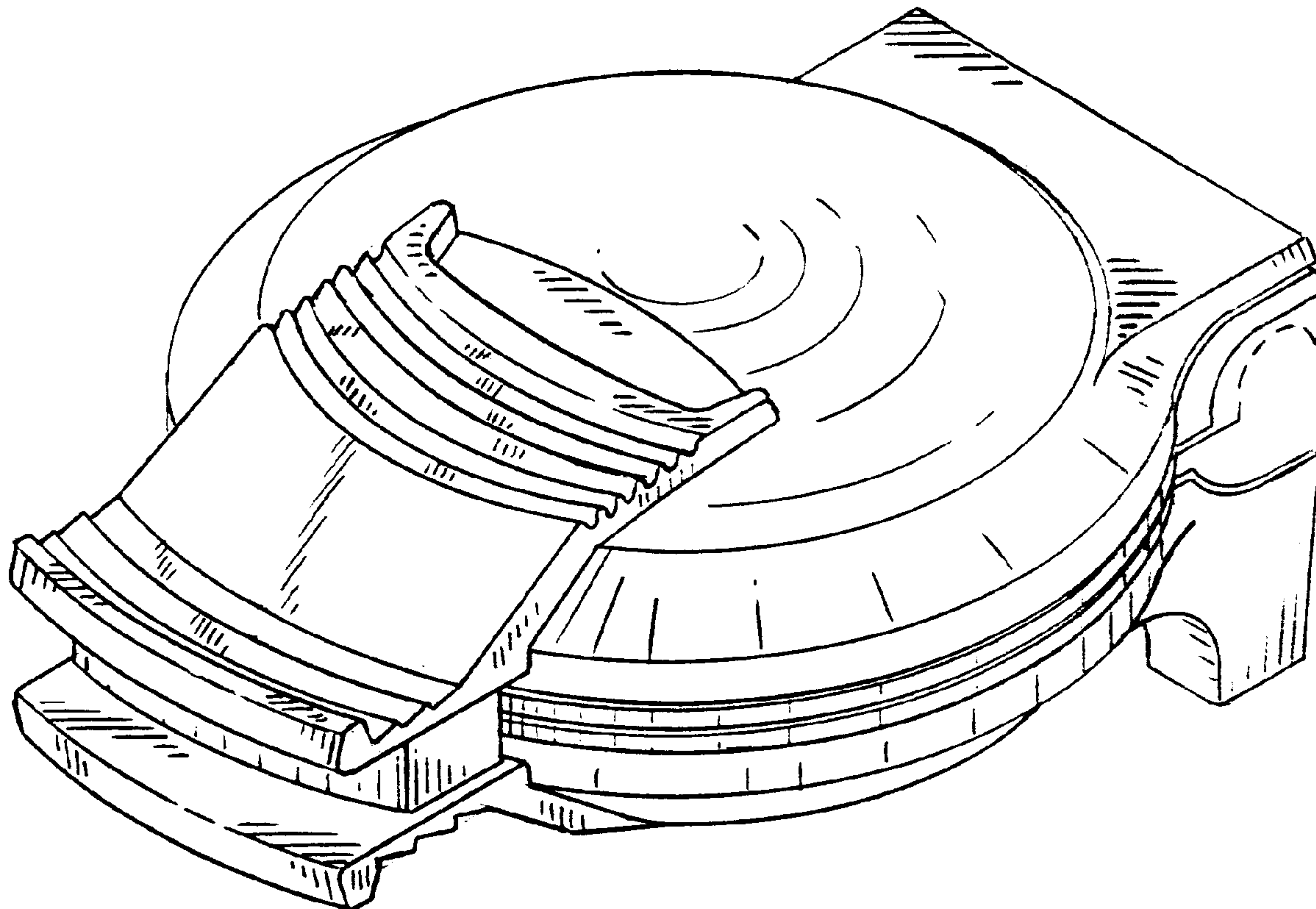
The broken lines shown in FIGS. 2-4 are for illustrative purposes only and form no part of the claimed design.

[56] **References Cited**

U.S. PATENT DOCUMENTS

D. 253,218 10/1979 Johnson D7/352

1 Claim, 3 Drawing Sheets



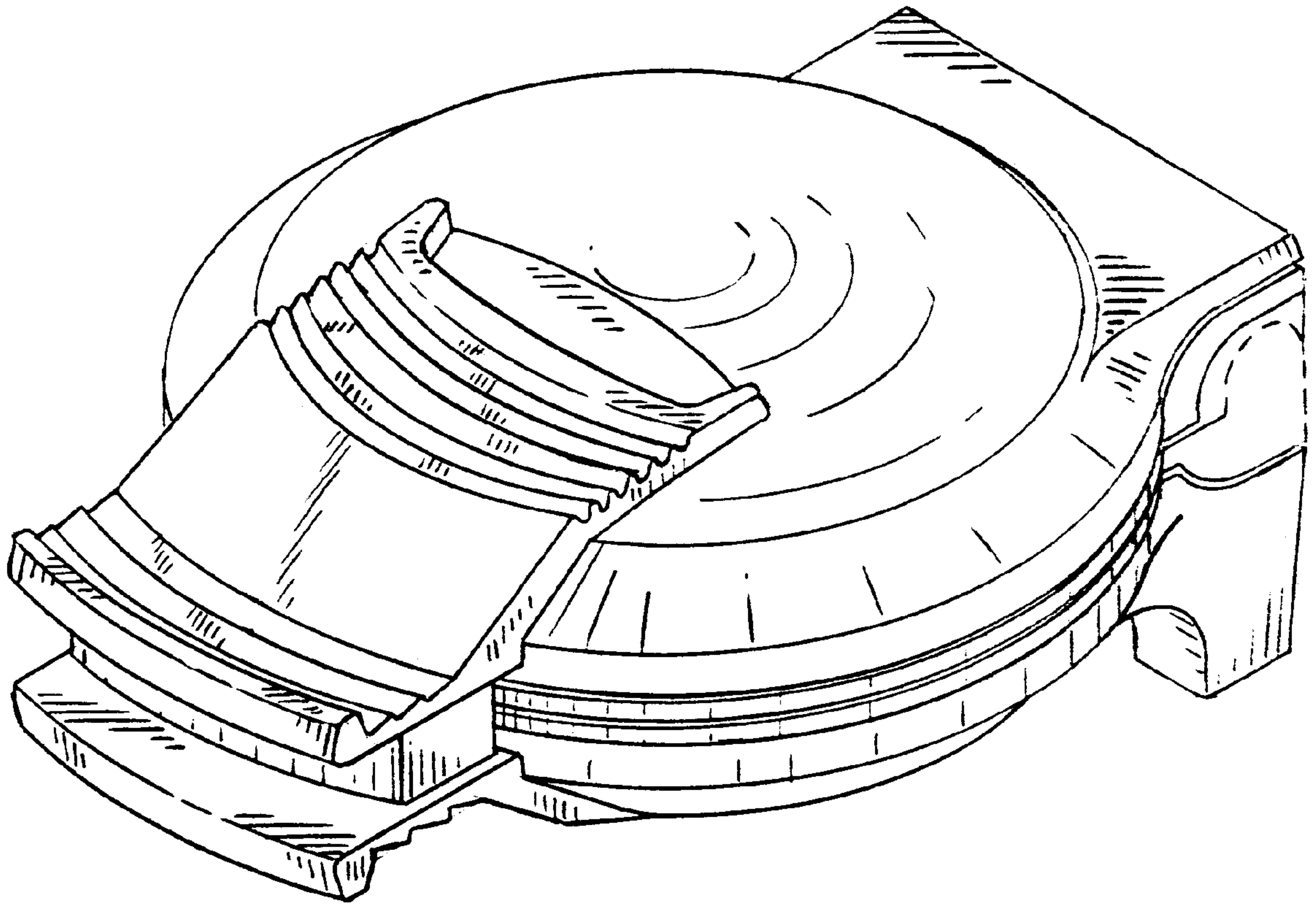


FIG. 1

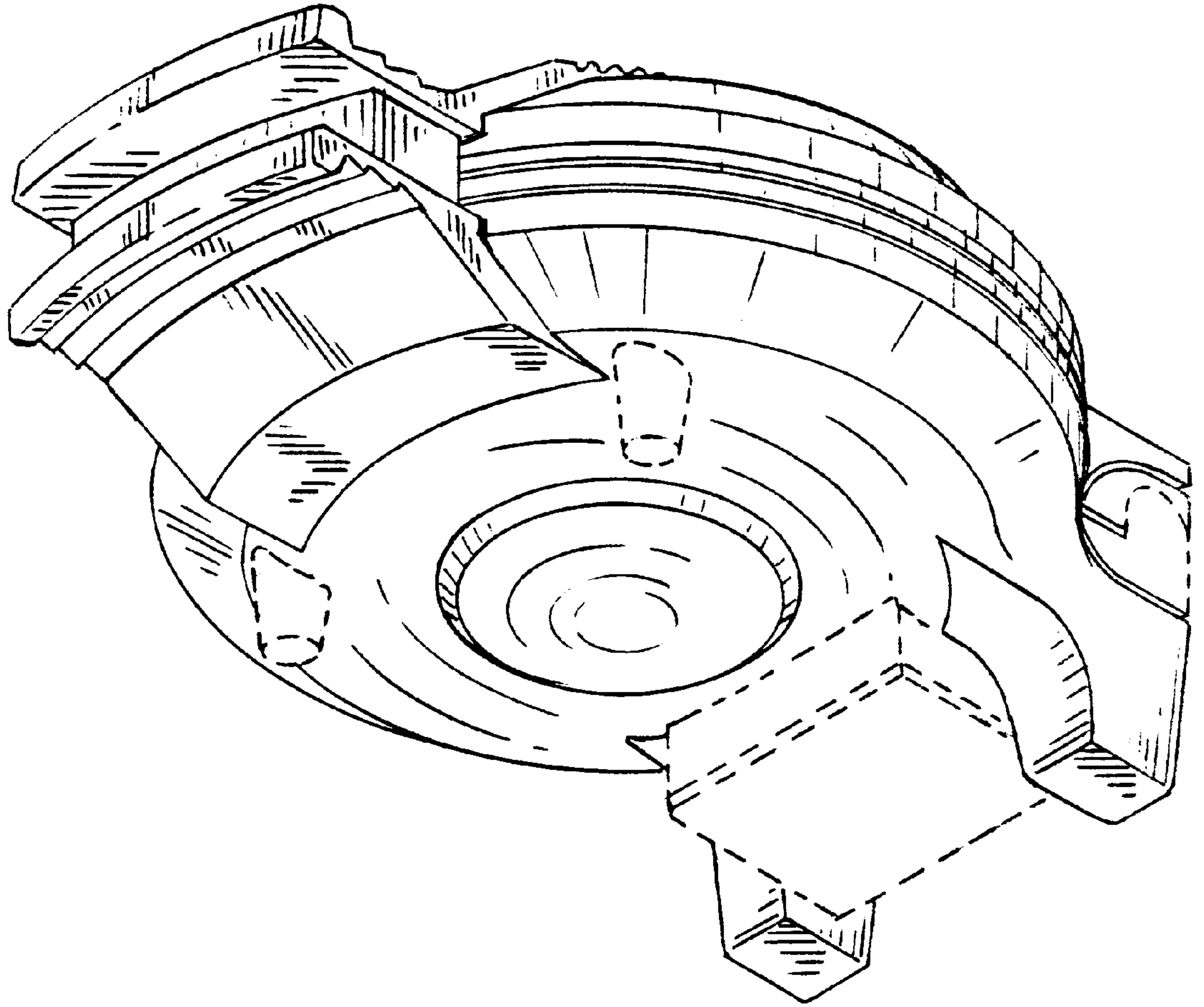


FIG. 2

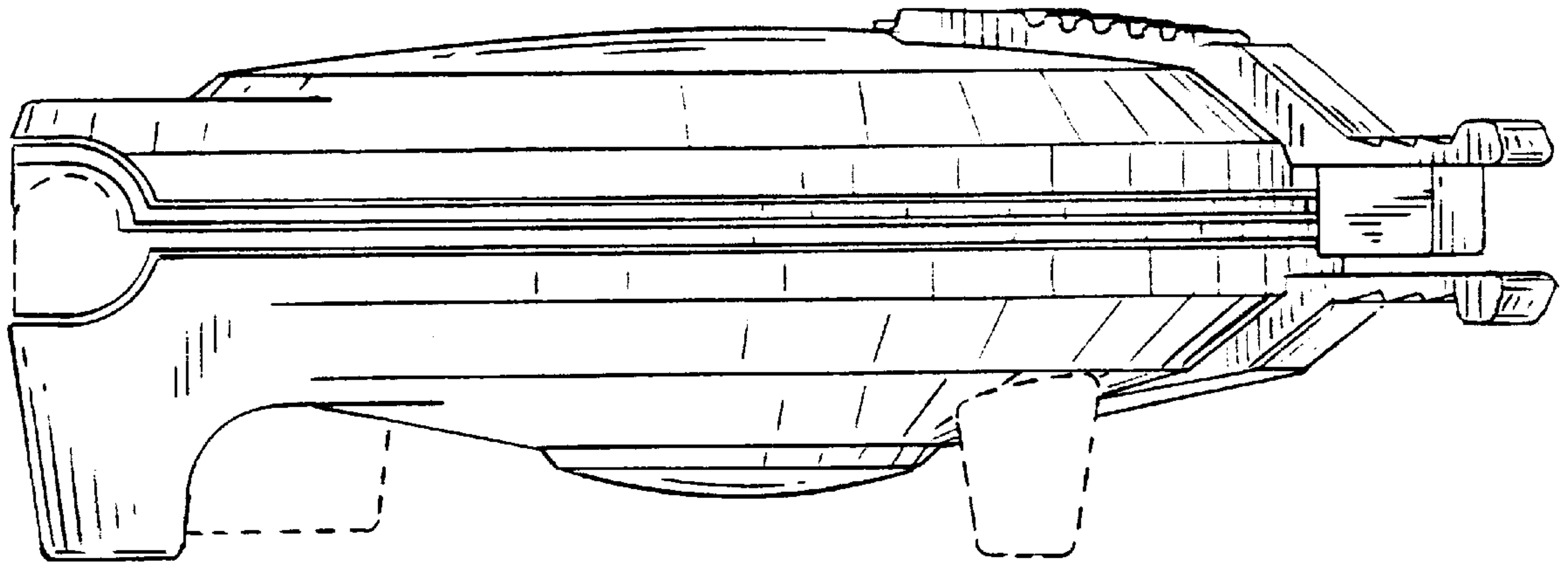


FIG. 3

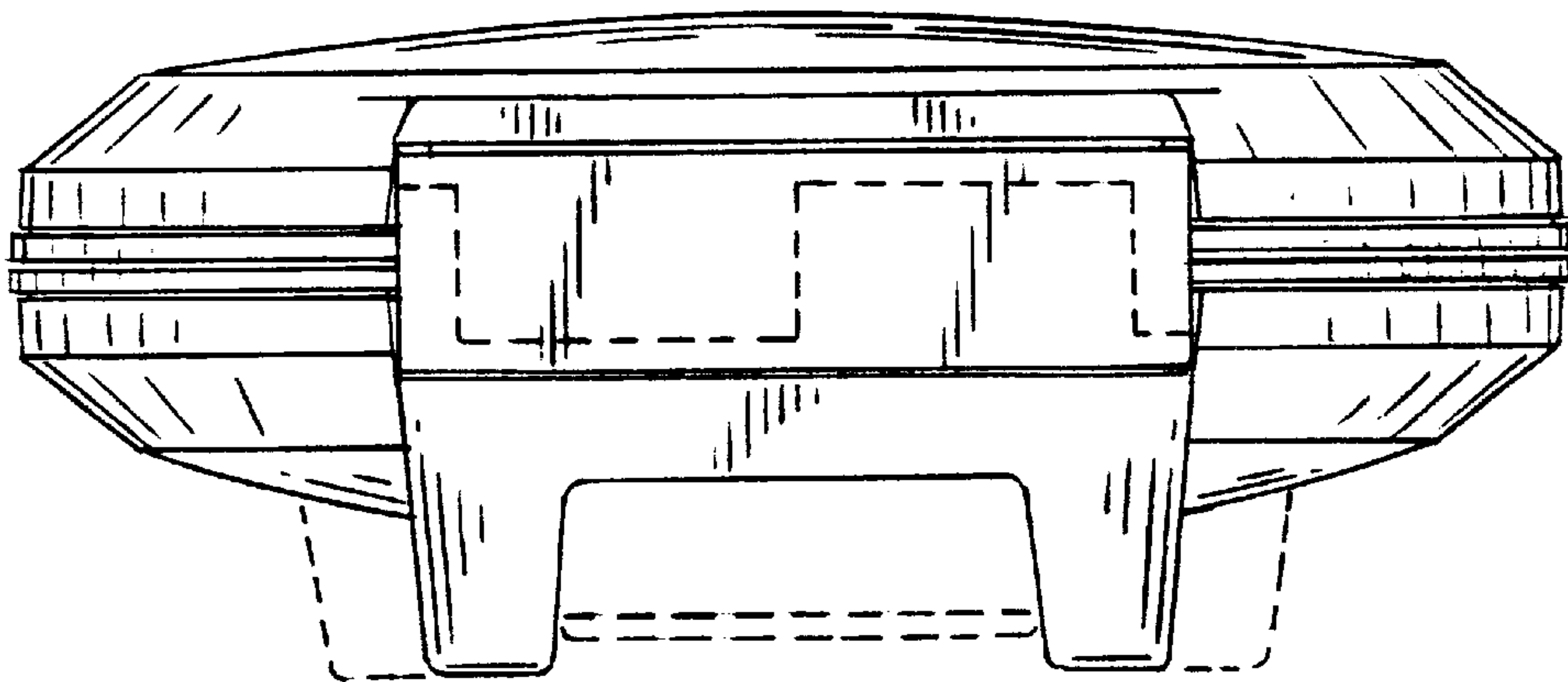


FIG. 4