



US00D419821S

United States Patent [19]

Powell et al.

[11] Patent Number: **Des. 419,821**

[45] Date of Patent: **** Feb. 1, 2000**

[54] **BEVERAGE DISPENSING MACHINE**

[75] Inventors: **David Hillary Powell**, Loxwood;
Sergei Alexandrovich Streltsov; **Akio Shindate**, both of London; **Ian Alec Mackinnon**, Buckinghamshire, all of United Kingdom

[73] Assignee: **Mars U.K. Limited**, Berkshire, United Kingdom

[**] Term: **14 Years**

[21] Appl. No.: **29/096,081**

[22] Filed: **Nov. 4, 1998**

[30] Foreign Application Priority Data

May 7, 1998 [GB] United Kingdom 2074493

[51] **LOC (7) Cl.** **07-01**

[52] **U.S. Cl.** **D7/309; D7/310; D7/311**

[58] **Field of Search** **D7/309, 310, 311, D7/300; 99/295, 279, 293, 304**

[56] References Cited

U.S. PATENT DOCUMENTS

D. 347,961 6/1994 Beeren D7/309

D. 350,667	9/1994	Saltet	D7/309
D. 376,950	12/1996	Satlet	D7/309
D. 377,290	1/1997	Saltet	D7/309
D. 381,550	7/1997	Lin	D7/309
D. 400,045	10/1998	Schade	D7/311
D. 408,208	4/1999	Hsu	D7/309

Primary Examiner—M. N. Pandozzi
Attorney, Agent, or Firm—Fitzpatrick, Cella, Harper & Scinto

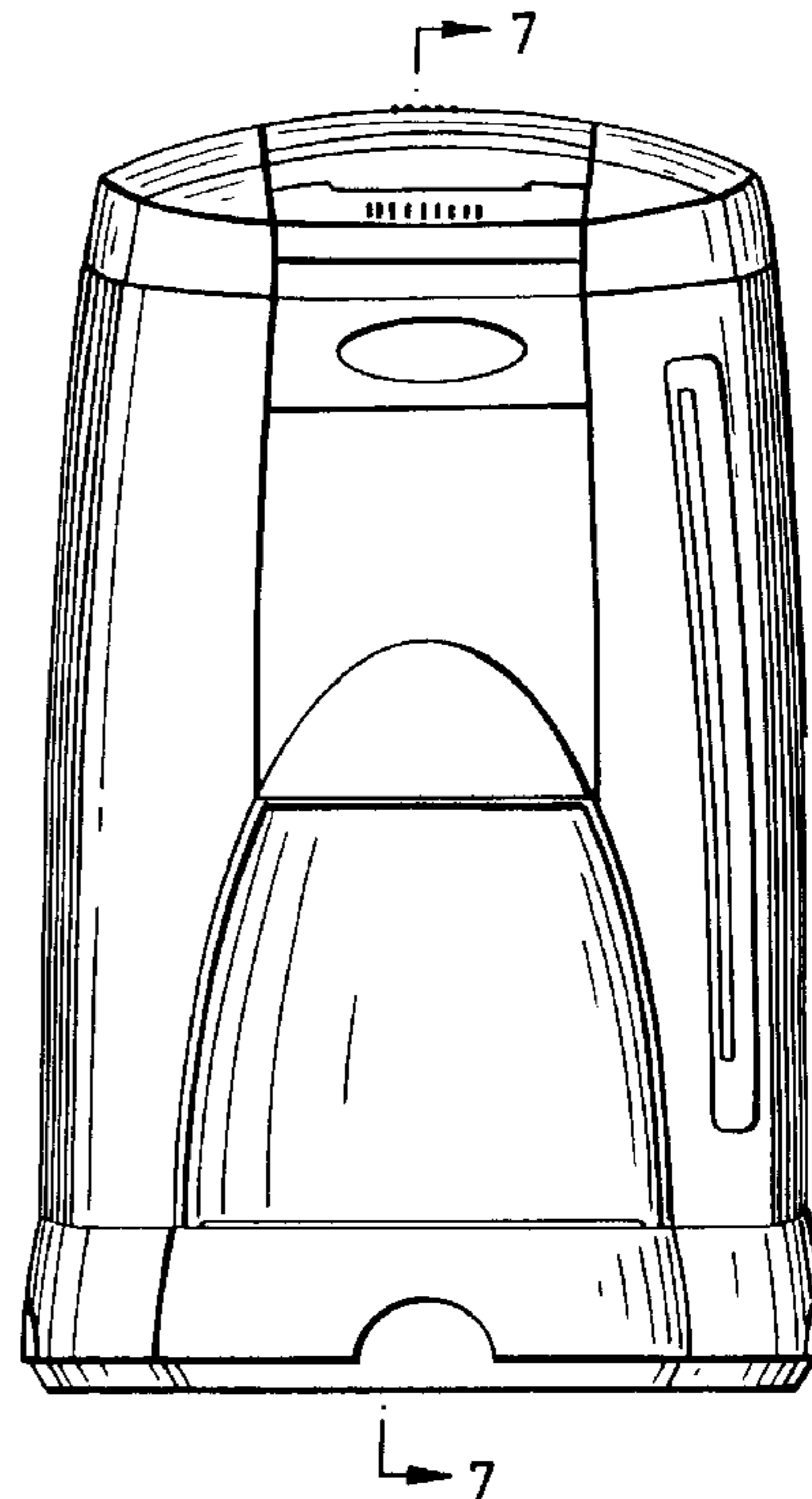
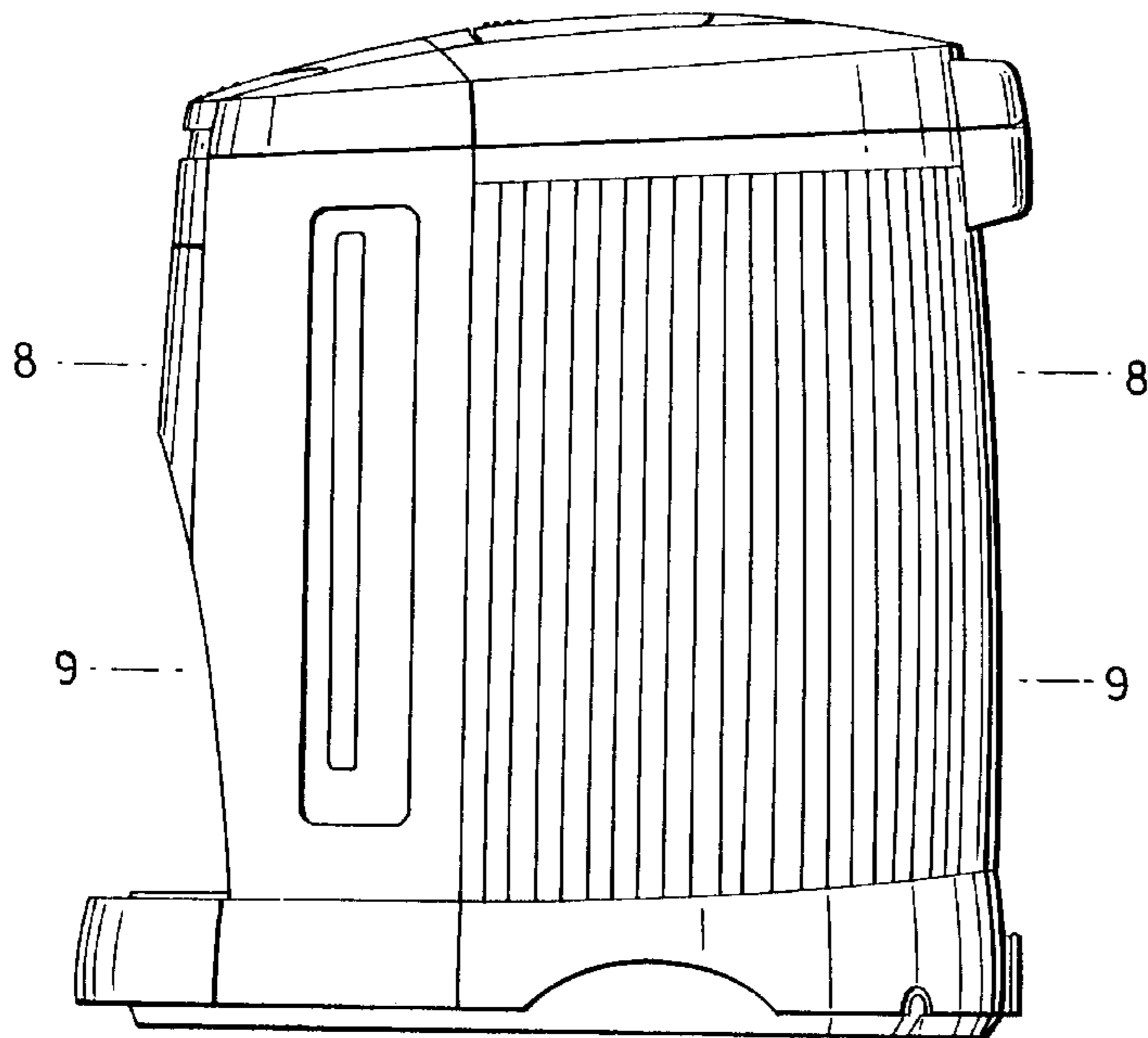
[57] CLAIM

The ornamental design for a beverage dispensing machine, as shown and described.

DESCRIPTION

FIG. 1 is a side elevational view of the beverage dispensing machine of the design of the present invention;
FIG. 2 is an opposite side elevation view thereof;
FIG. 3 is a front elevational view thereof;
FIG. 4 is a rear elevational view thereof;
FIG. 5 is a top plan view thereof;
FIG. 6 is a bottom view thereof;
FIG. 7 is a sectional view taken on line 7—7 of FIG. 3;
FIG. 8 is a sectional view taken on line 8—8 of FIG. 1; and,
FIG. 9 is a sectional view taken along line 9—9 of FIG. 1.

1 Claim, 5 Drawing Sheets



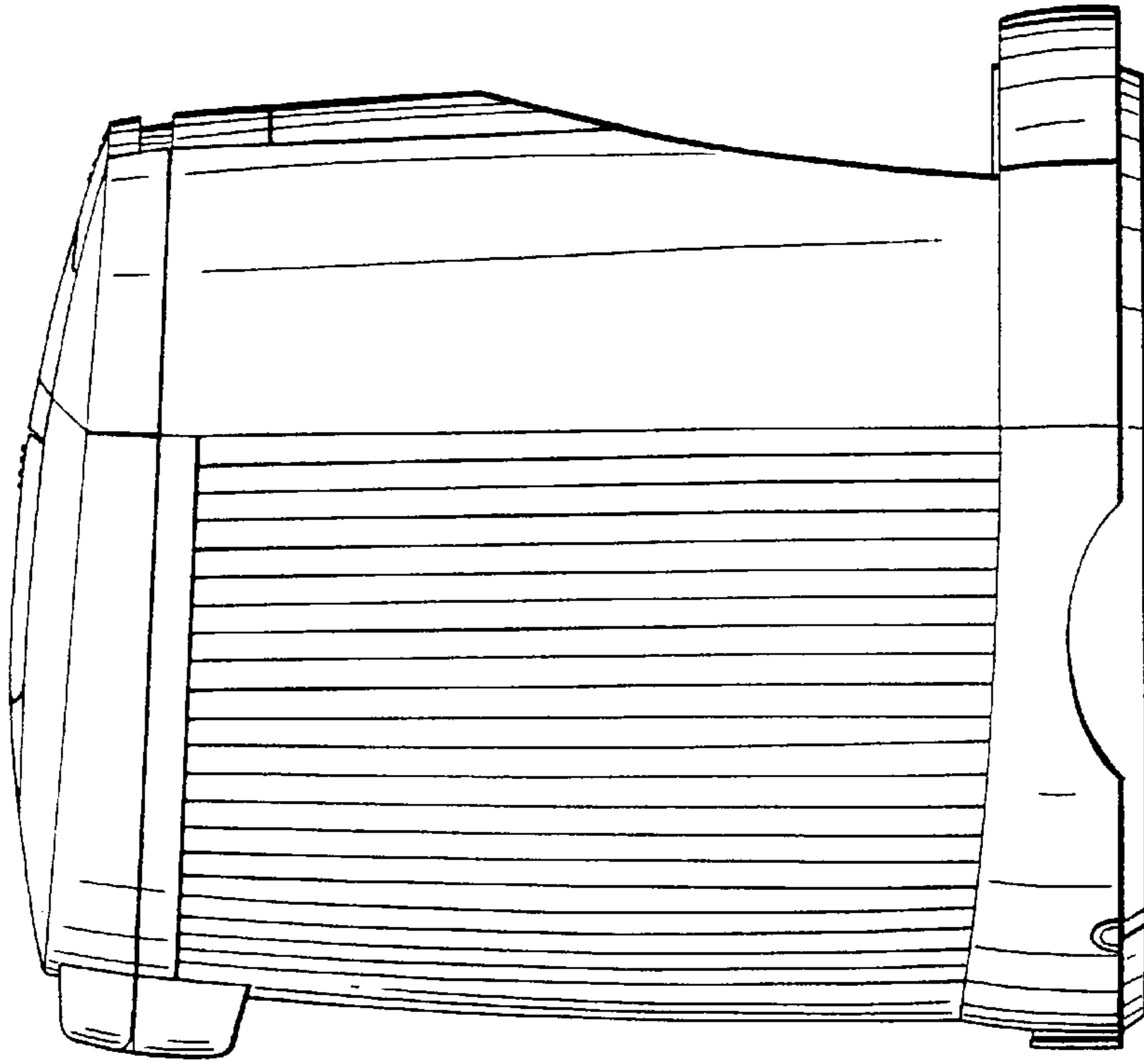


FIG. 2

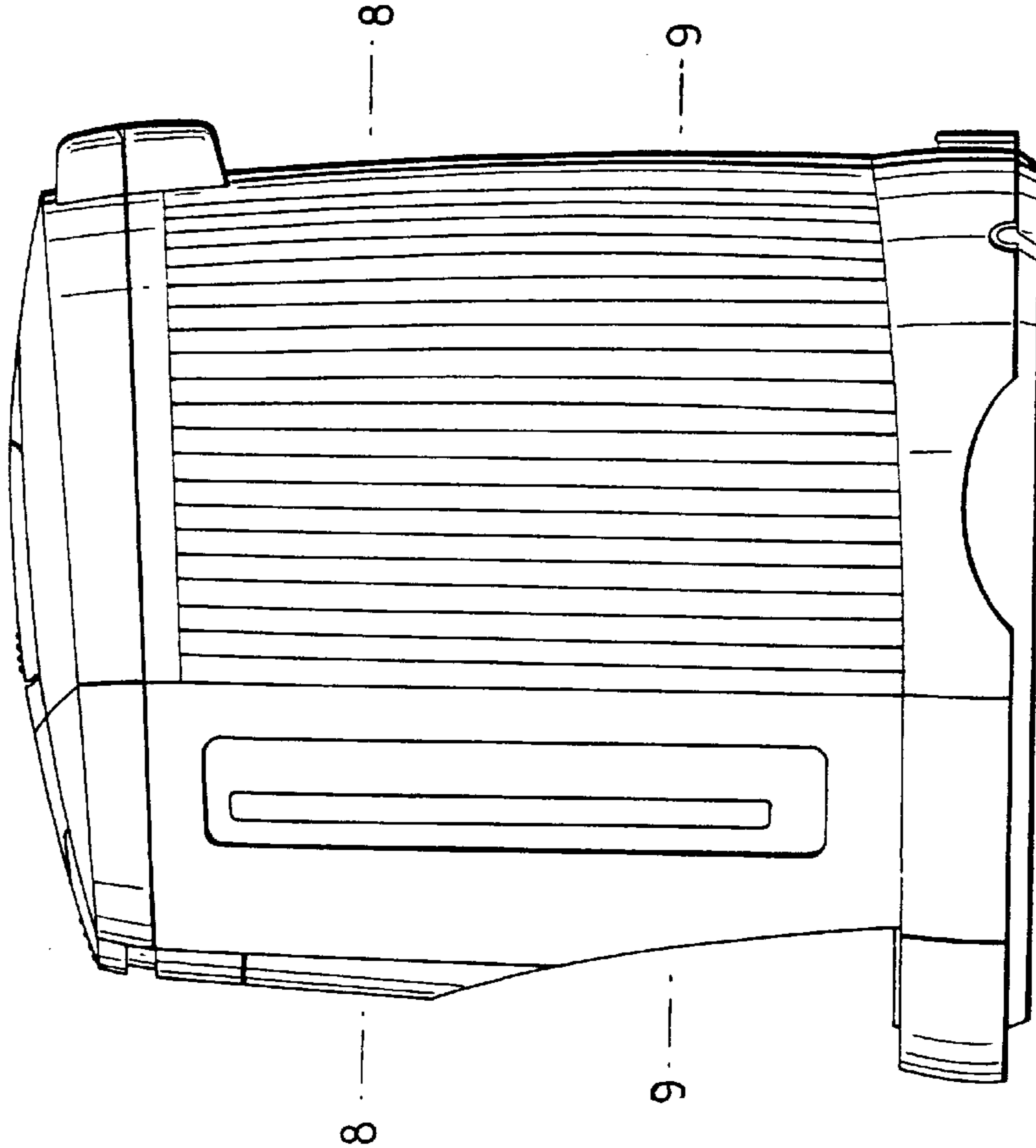


FIG. 1

FIG. 4

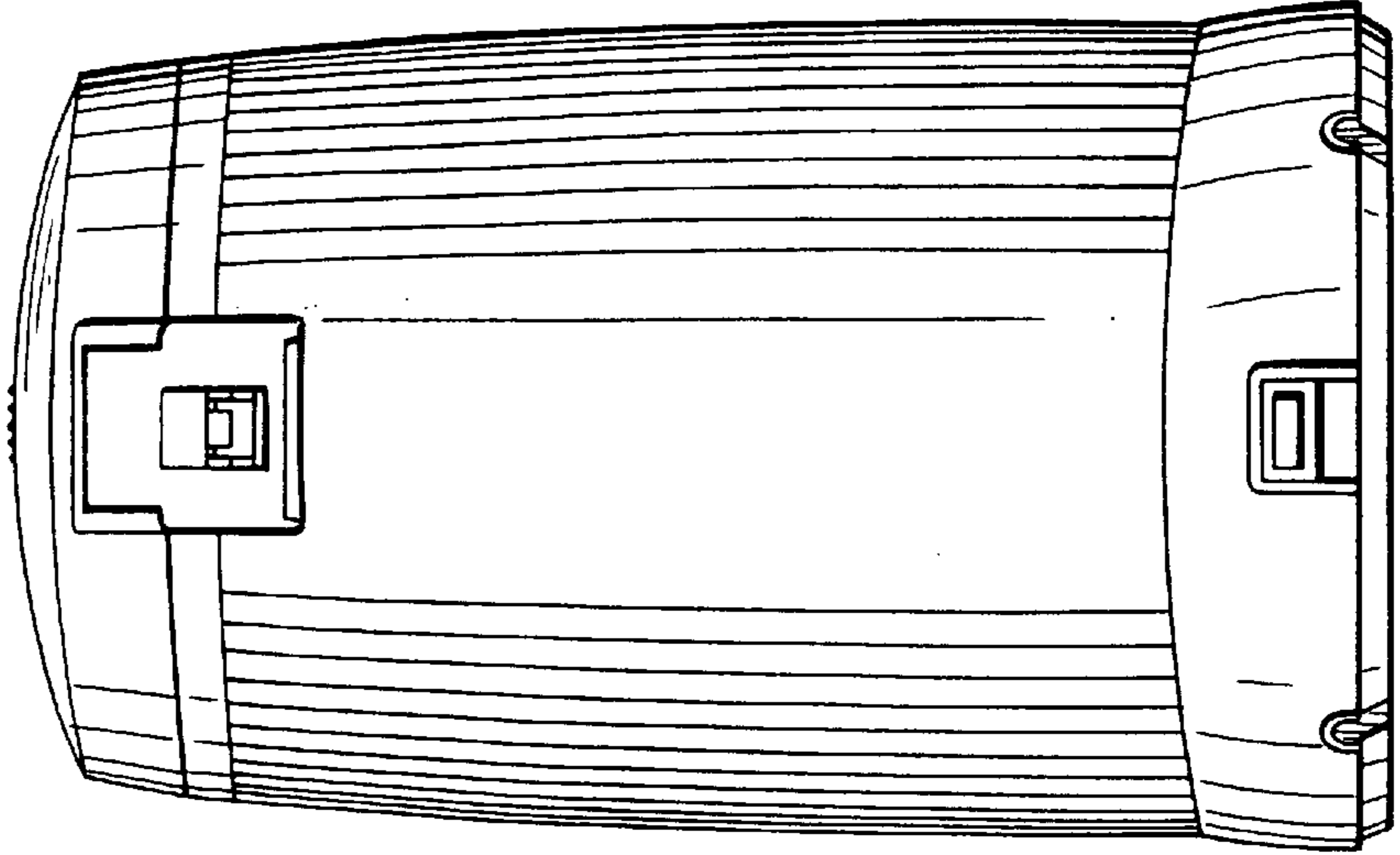


FIG. 3

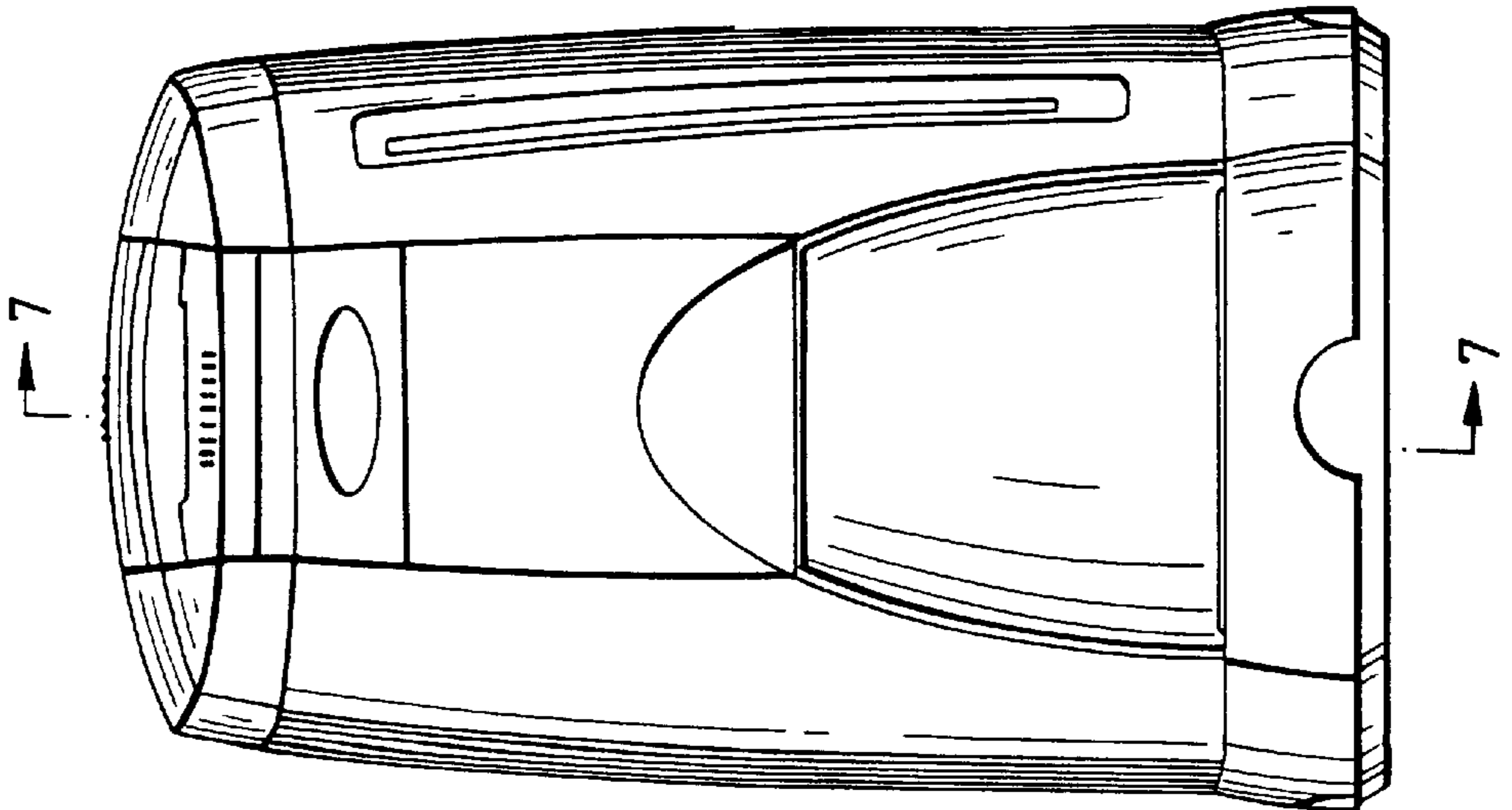


FIG. 5

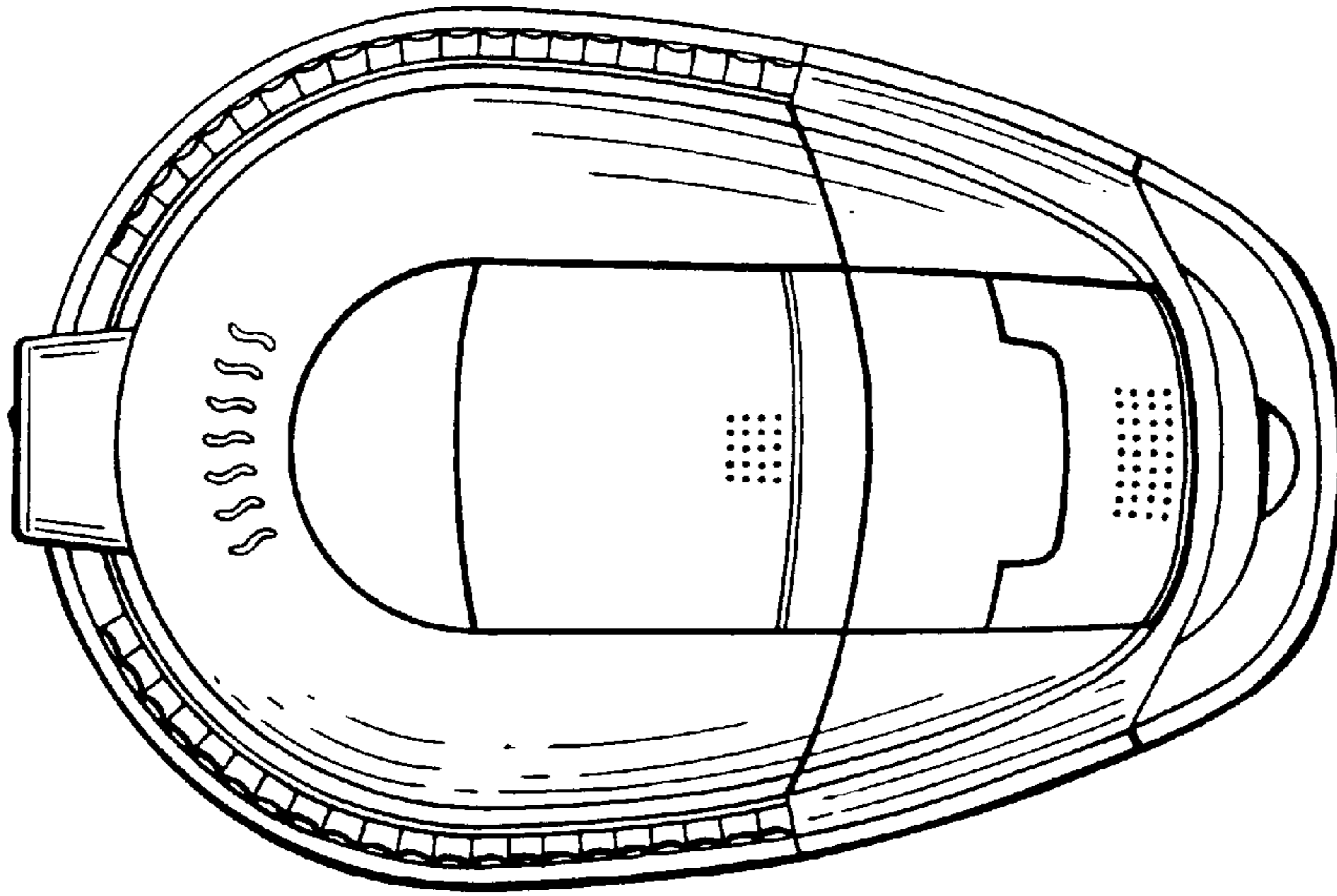
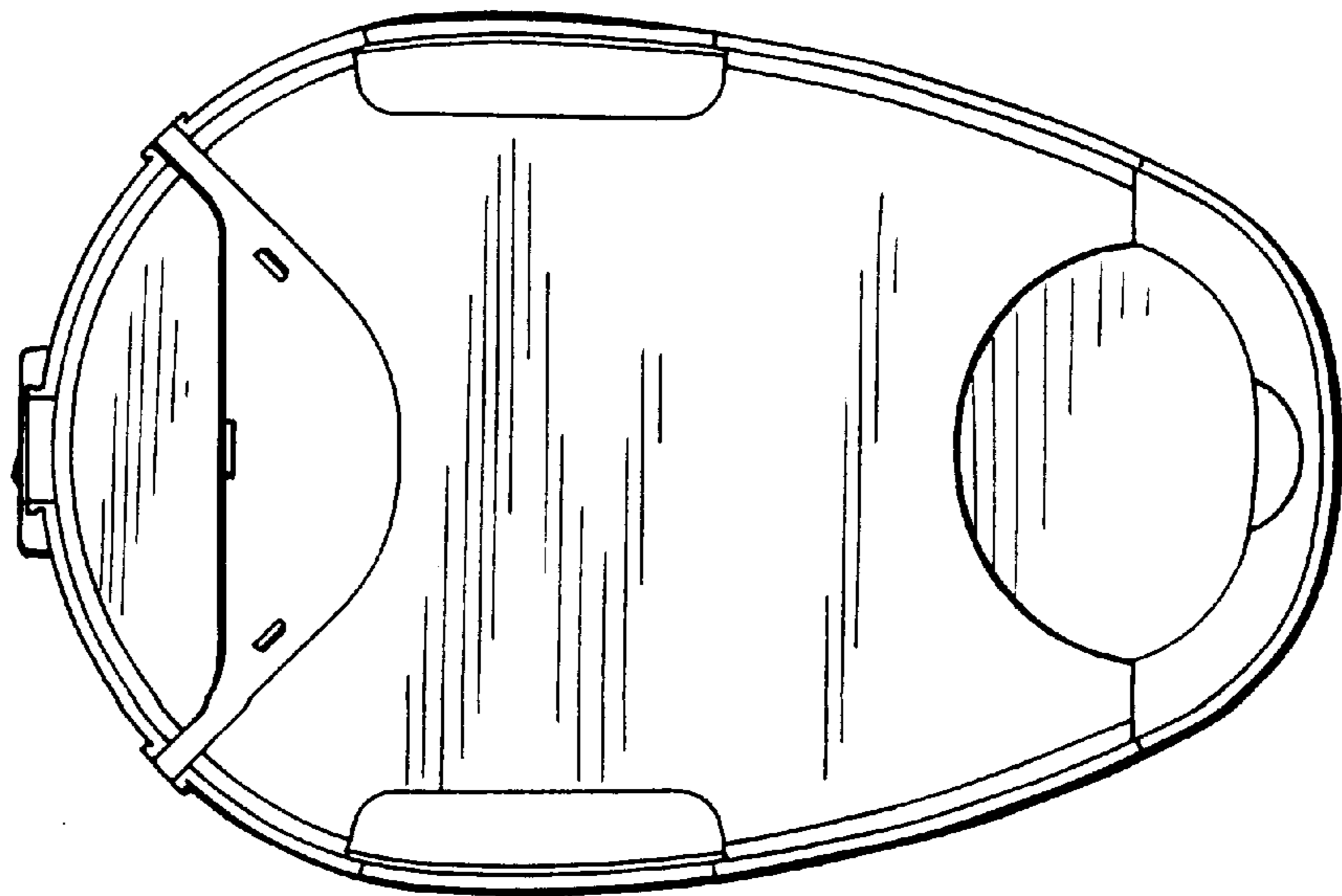


FIG. 6



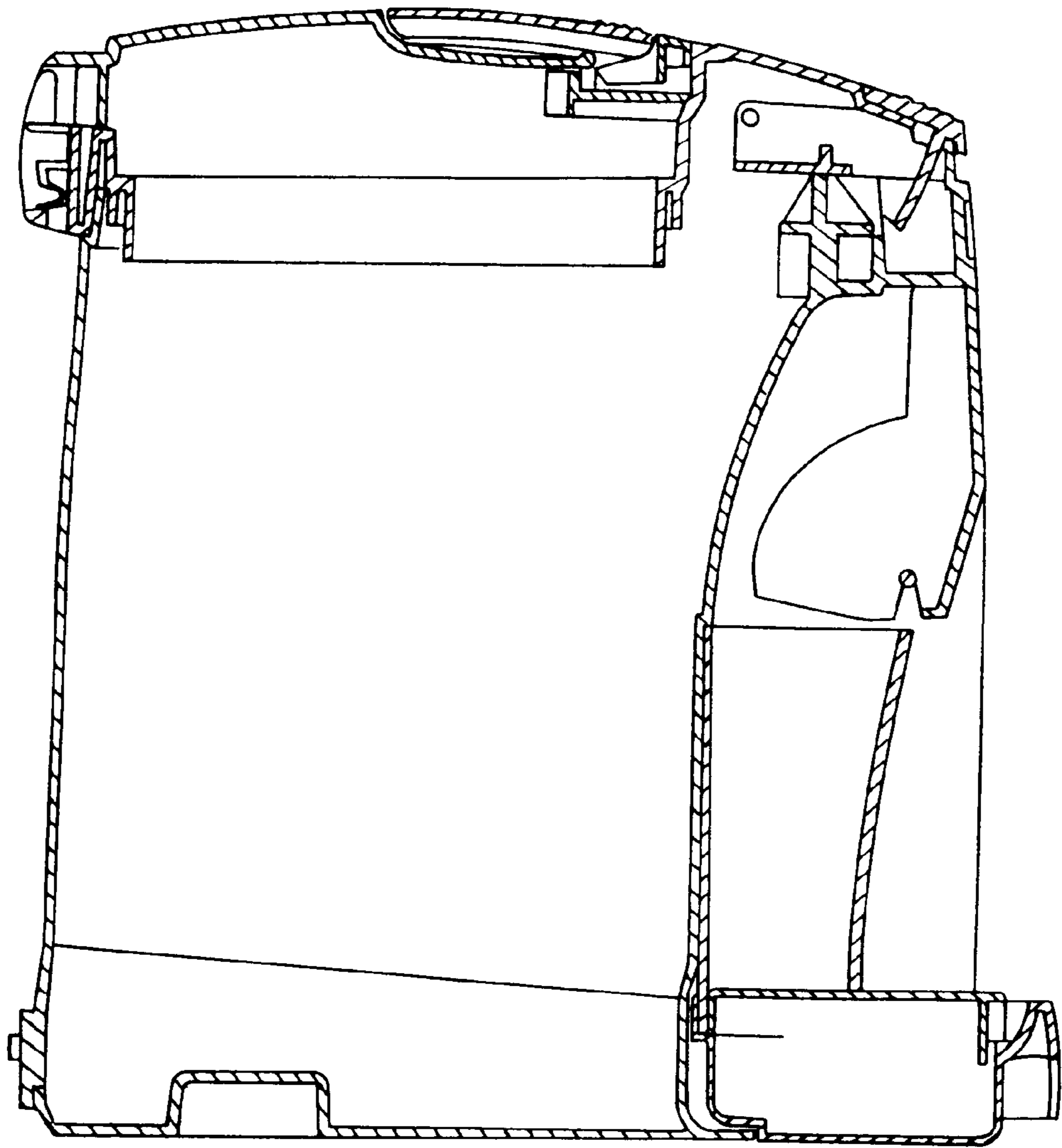


FIG. 7

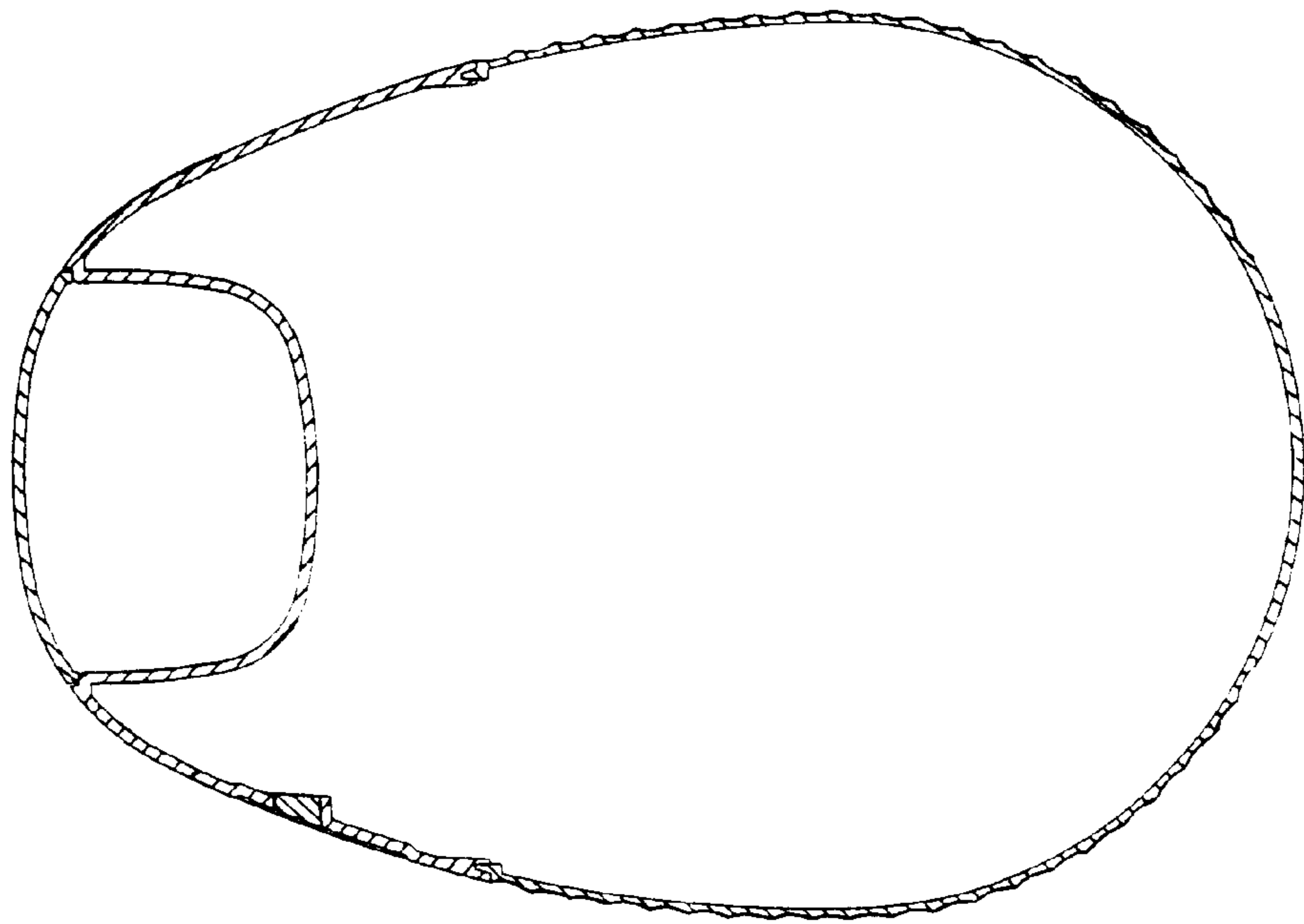


FIG. 8

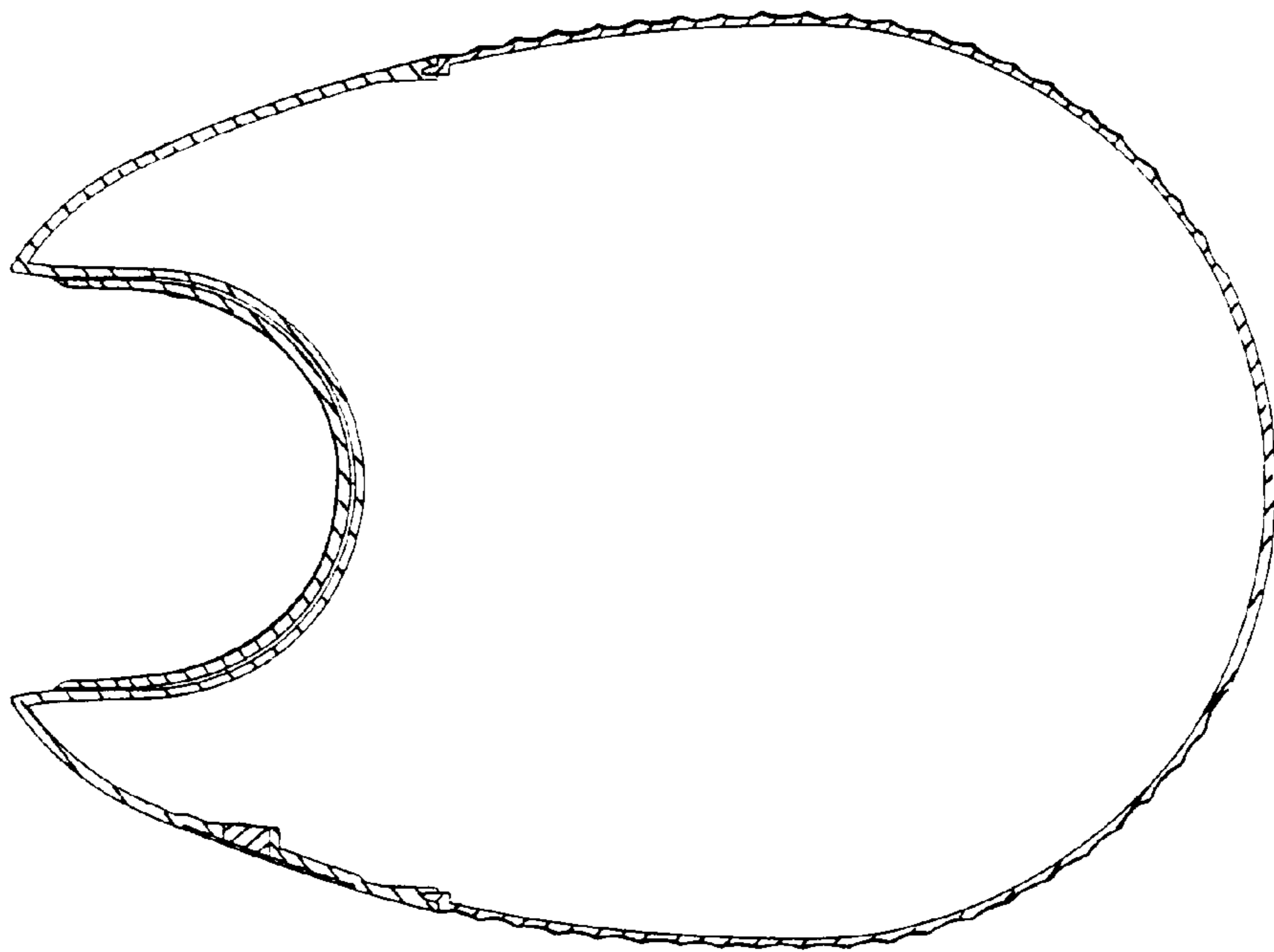


FIG. 9