



US00D419814S

United States Patent [19]

Hecht et al.

[11] Patent Number: **Des. 419,814**

[45] Date of Patent: **** Feb. 1, 2000**

[54] **SHELF LINK**

D. 299,687 2/1989 Handler et al. D6/574
D. 392,144 3/1998 Vogler D6/574

[76] Inventors: **Thomas R. Hecht**, 37 Hemlock Acres,
Manheim, Pa. 17545; **Howard F.
Livingston**, 1333 Beaconfield La.;
Howard F. Livingston, Jr., 355 W.
Chestnut St., Apt. 4, both of Lancaster,
Pa. 17601

Primary Examiner—Holly Baynham
Attorney, Agent, or Firm—Watson Cole Grindle Watson,
P.L.L.C.

[**] Term: **14 Years**

[57] CLAIM

The ornamental design for a shelf link, as shown and described.

[21] Appl. No.: **29/103,042**

DESCRIPTION

[22] Filed: **Apr. 7, 1999**

FIG. 1 is a bottom perspective view of a shelf link with the broken line showing of a fragmented support, shelving and a second shelf link being for illustrative purposes only and forming no part of the claimed design;
FIG. 2 is a top perspective view of a single shelf link;
FIG. 3 is a top view shown in FIG. 2;
FIG. 4 is a bottom view;
FIG. 5 is a front view, the rear view being identical; and,
FIG. 6 is an end view, the opposite end view being identical.

[51] **LOC (7) Cl.** **08-05**

[52] **U.S. Cl.** **D6/574**

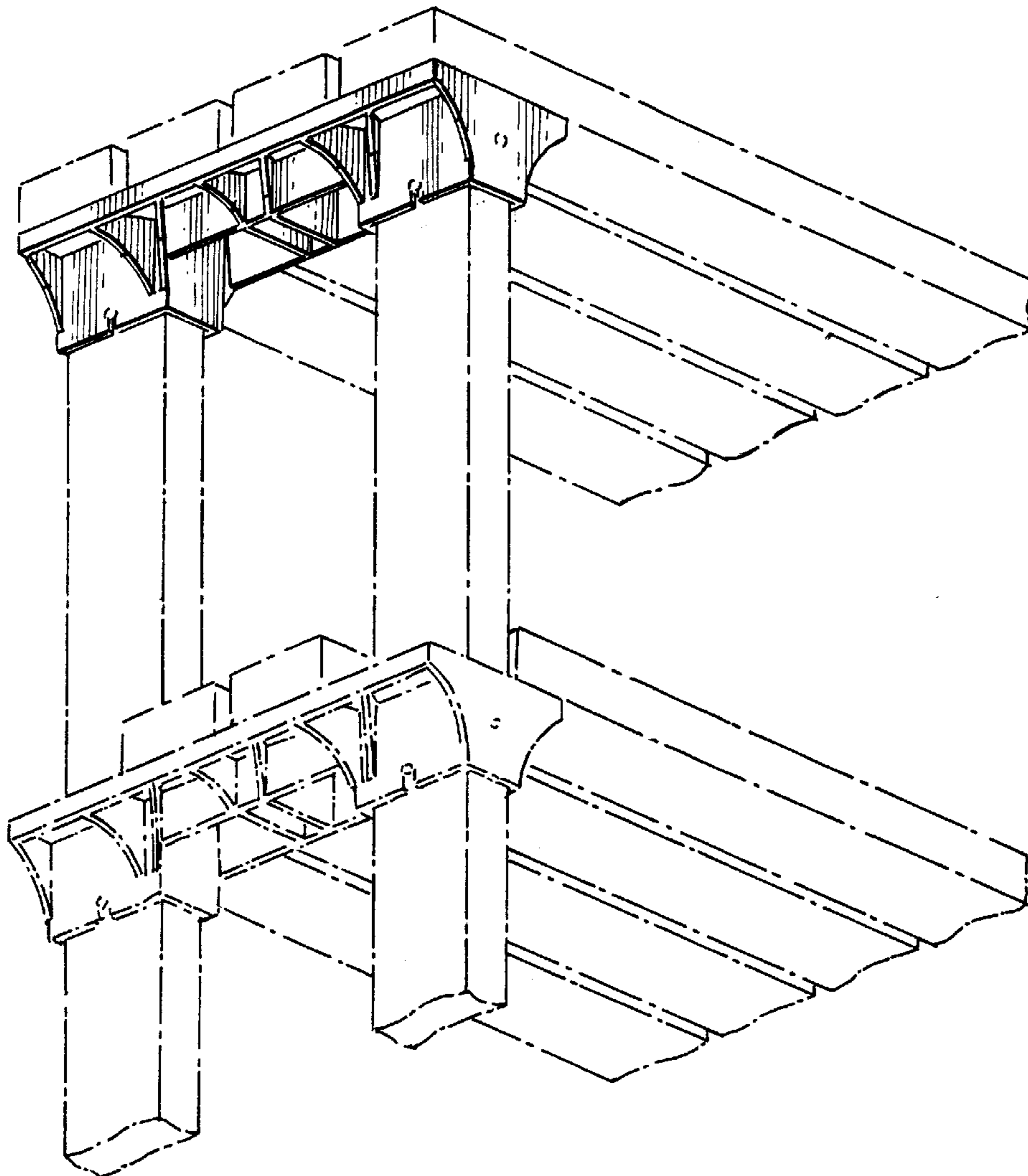
[58] **Field of Search** D8/380-382; D6/574;
248/235, 243, 247, 250

[56] References Cited

U.S. PATENT DOCUMENTS

D. 222,078 9/1971 Bobrowski D8/381

1 Claim, 3 Drawing Sheets



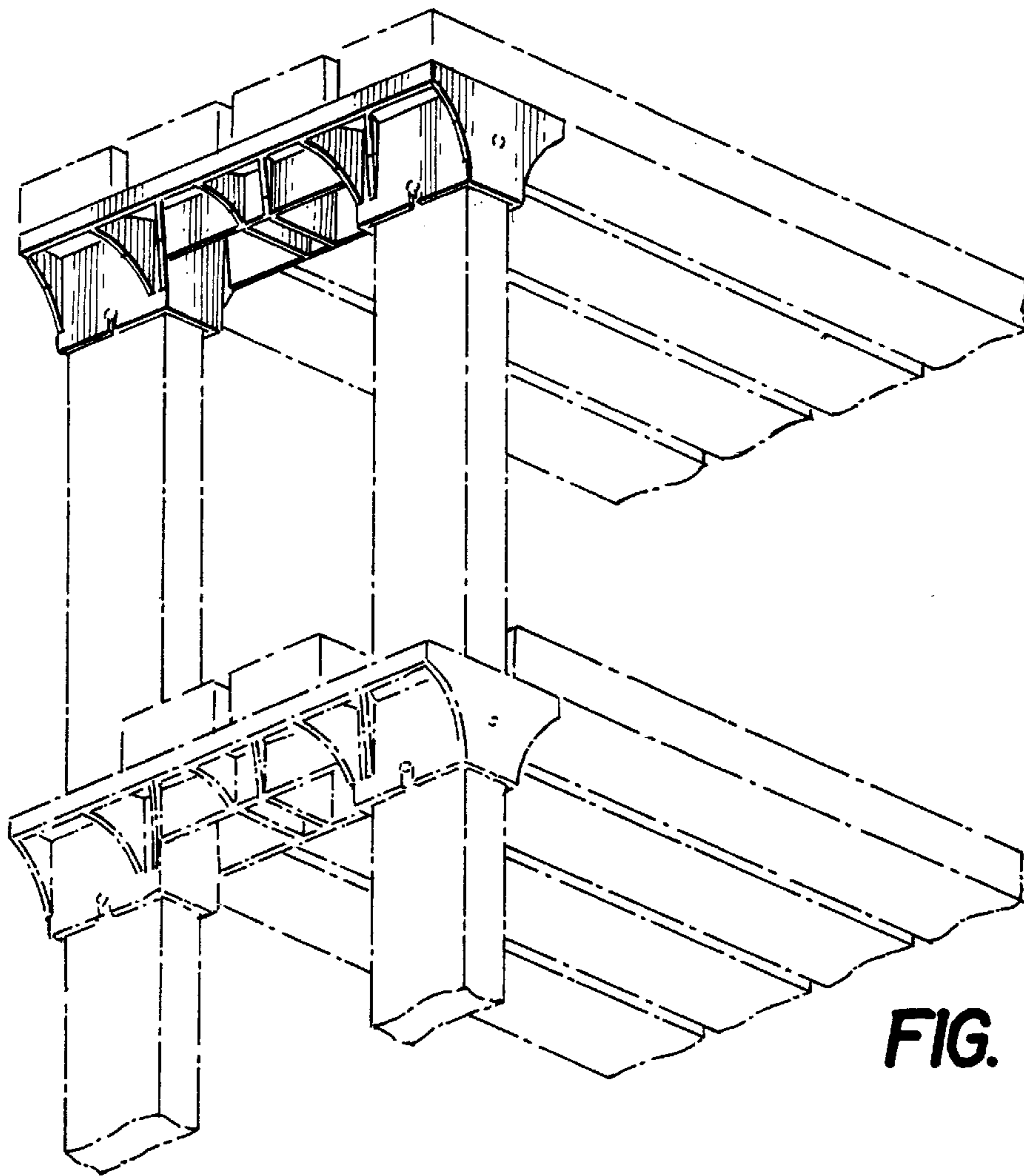


FIG. 1

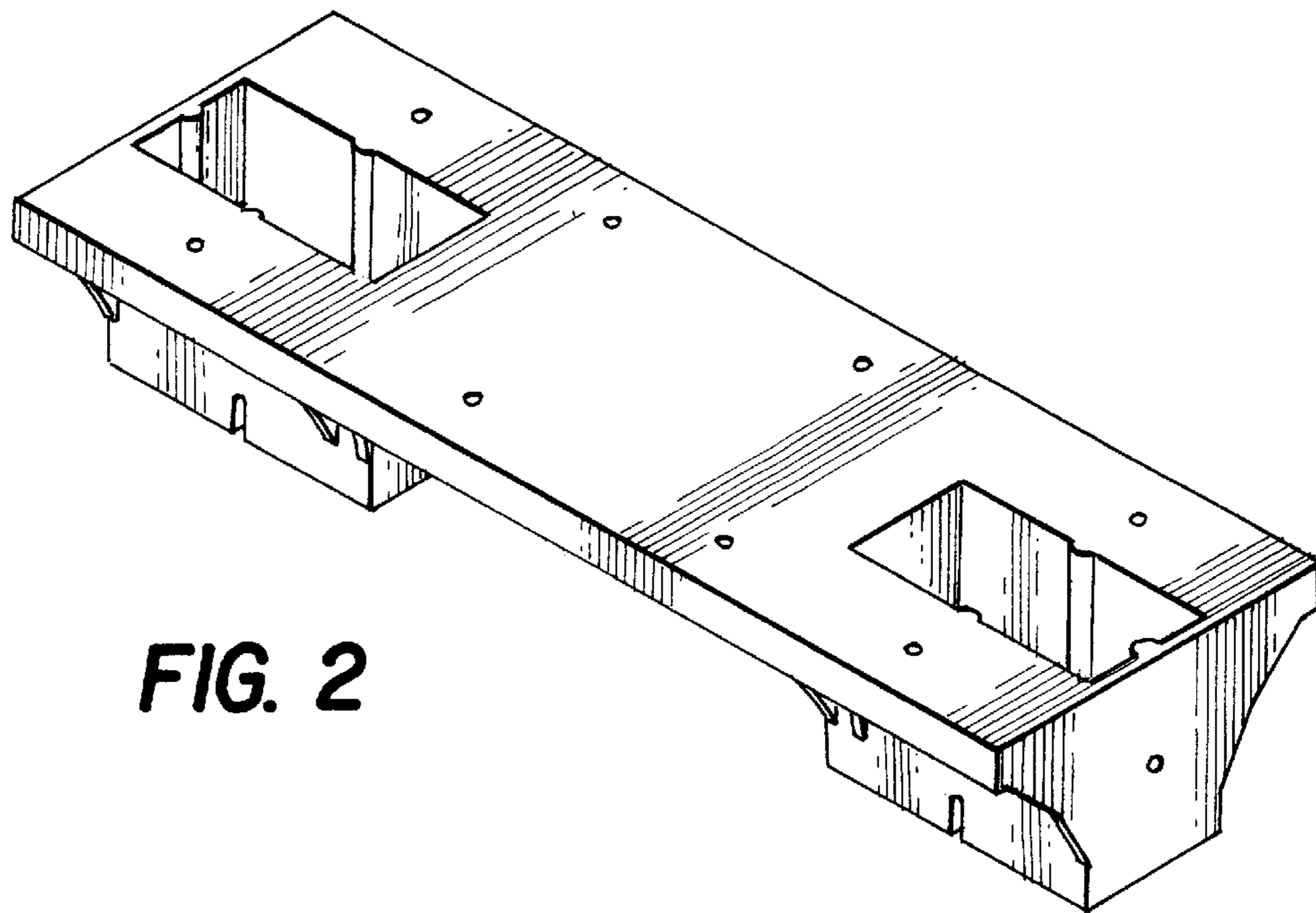


FIG. 2

FIG. 3

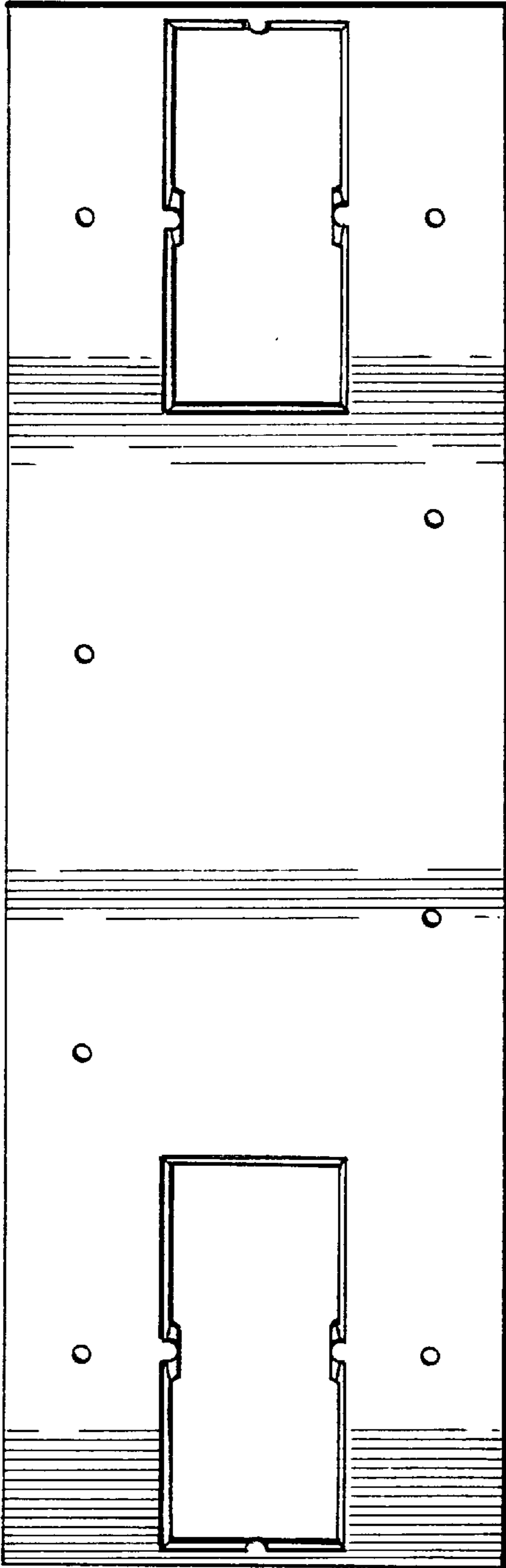
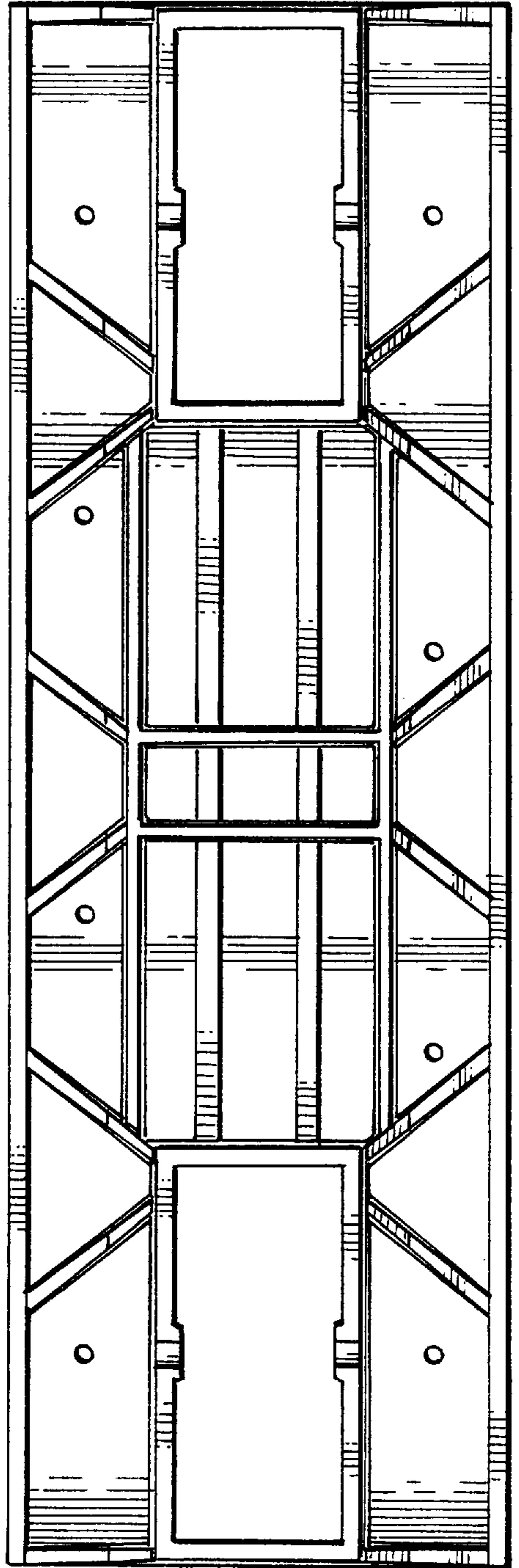


FIG. 4



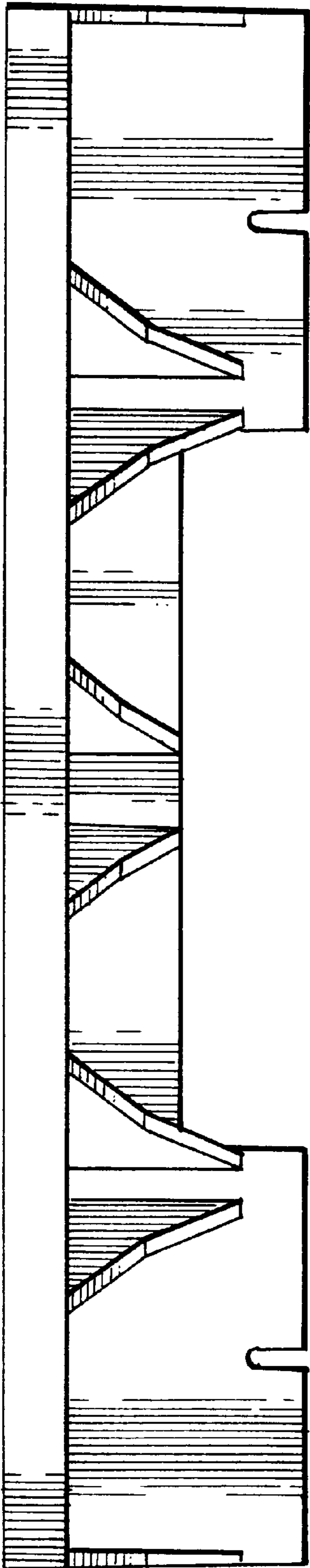


FIG. 5

FIG. 6

