



US00D419813S

United States Patent [19]
Perrin

[11] **Patent Number: Des. 419,813**

[45] **Date of Patent: ** Feb. 1, 2000**

[54] **HANGING SHELF SIMULATING A SHAKER CHAIR**

D. 308,145 5/1990 Hoff D6/380

[76] Inventor: **Stephen Perrin**, 2307 Ravenview Rd.,
Timonium, Md. 21093

Primary Examiner—Brian N. Vinson
Attorney, Agent, or Firm—Law Offices of Royal W. Craig

[**] Term: **14 Years**

[57] **CLAIM**

[21] Appl. No.: **29/083,359**

The ornamental design for an hanging shelf simulating a shaker chair, as shown and described.

[22] Filed: **Feb. 9, 1998**

DESCRIPTION

[51] **LOC (7) Cl.** **08-08**

[52] **U.S. Cl.** **D6/570; D6/563**

[58] **Field of Search** D6/552, 553, 567,
D6/563, 569, 570, 571, 574, 334, 360,
370, 380; 211/13.1, 30, 32, 34, 35, 42,
44, 48, 49.1, 86-88, 90, 94.5, 126.1, 134,
153; 108/59, 91

FIG. 1 is a top, front, and left side perspective view of an hanging shelf simulating a shaker chair showing my new design;

FIG. 2 is a left side elevational view there, the right side being a mirror image of that shown; and,

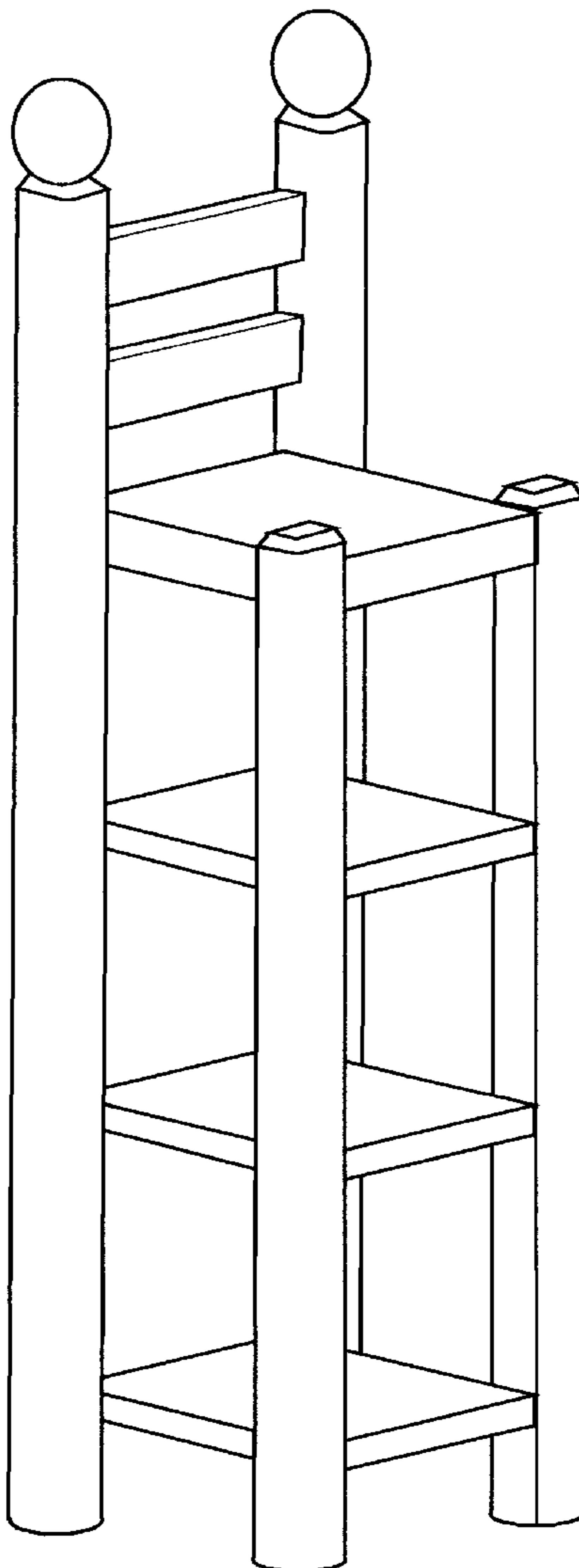
FIG. 3 is a front elevational view thereof.

[56] **References Cited**

U.S. PATENT DOCUMENTS

D. 90,850 10/1933 Kayser D6/380 X

1 Claim, 2 Drawing Sheets



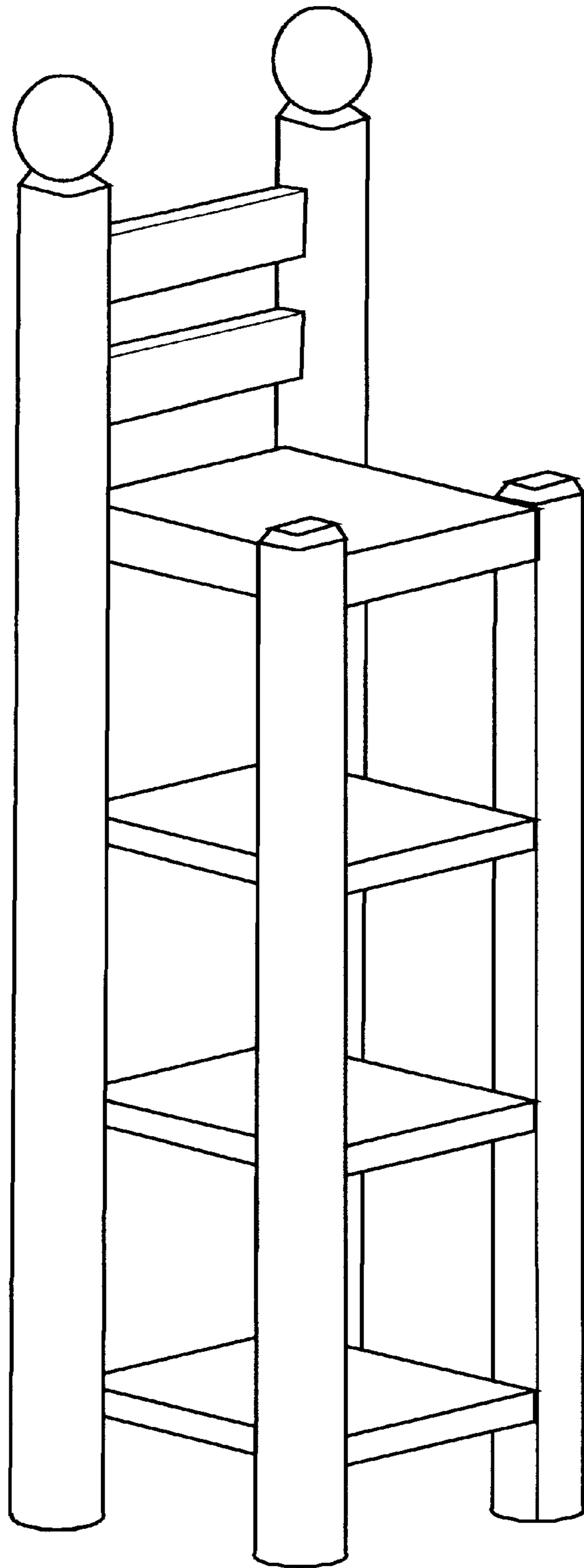


FIG. 1

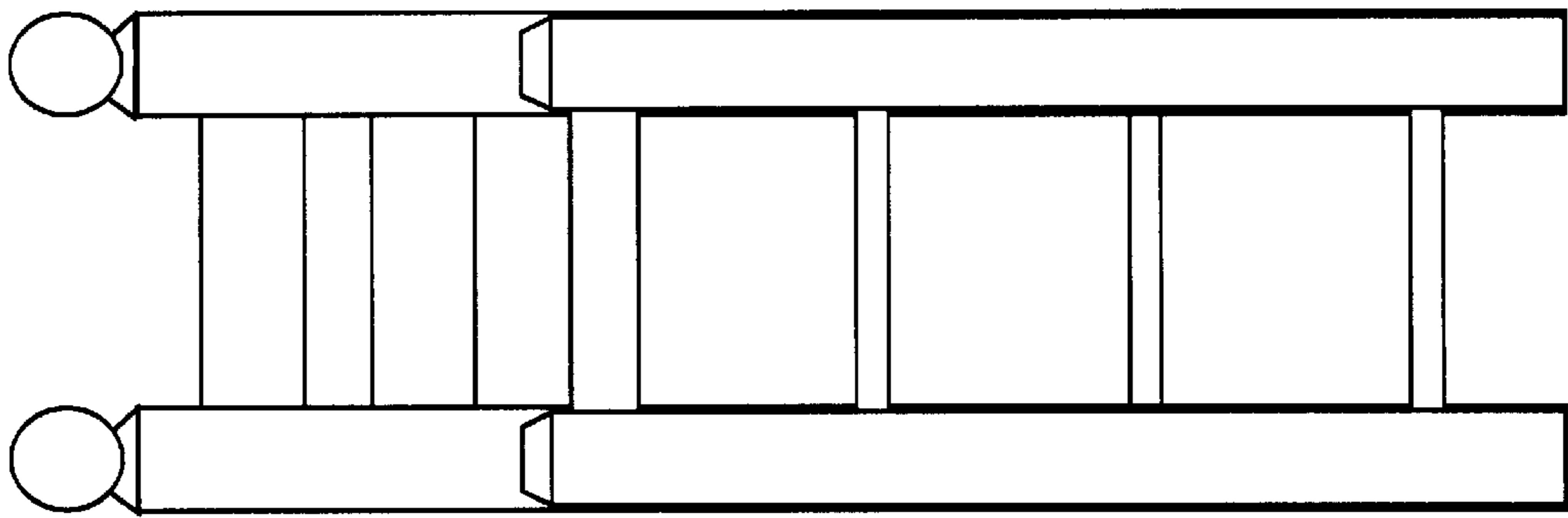


FIG. 3

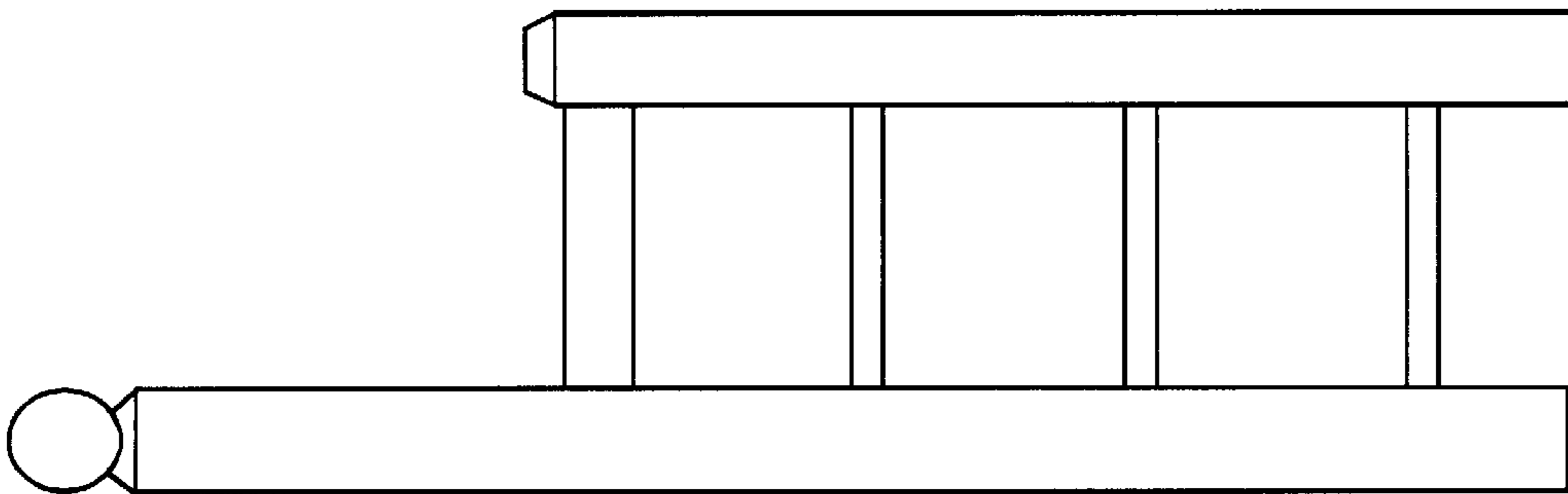


FIG. 2