



US00D419812S

United States Patent [19]

[11] Patent Number: Des. 419,812

Robichaud

[45] Date of Patent: ** Feb. 1, 2000

[54] HOLDER FOR LAUNDRY BASKET AND CLOTHESPIN BUCKET

DESCRIPTION

[76] Inventor: **Levis Robichaud**, 4202 Rue Principale, Tracadie-Sheila, New Brunswick, Canada, E1X 1B9

[**] Term: **14 Years**

[21] Appl. No.: **29/081,001**

[22] Filed: **Nov. 28, 1997**

[51] **LOC (7) Cl.** **08-08**

[52] **U.S. Cl.** **D6/566**

[58] **Field of Search** D6/566, 553, 567, D6/552; D8/349, 354, 363, 373, 380; 211/13.1, 70.6, 71, 86-89, 106, 107, 112, 181.1; 248/121, 175, 205.1, 218.4, 219.1, 302, 309.1, 311.2, 312, 907

[56] References Cited

U.S. PATENT DOCUMENTS

D. 251,579 4/1979 Calgaro D6/566
D. 406,960 3/1999 Zaid D6/552 X

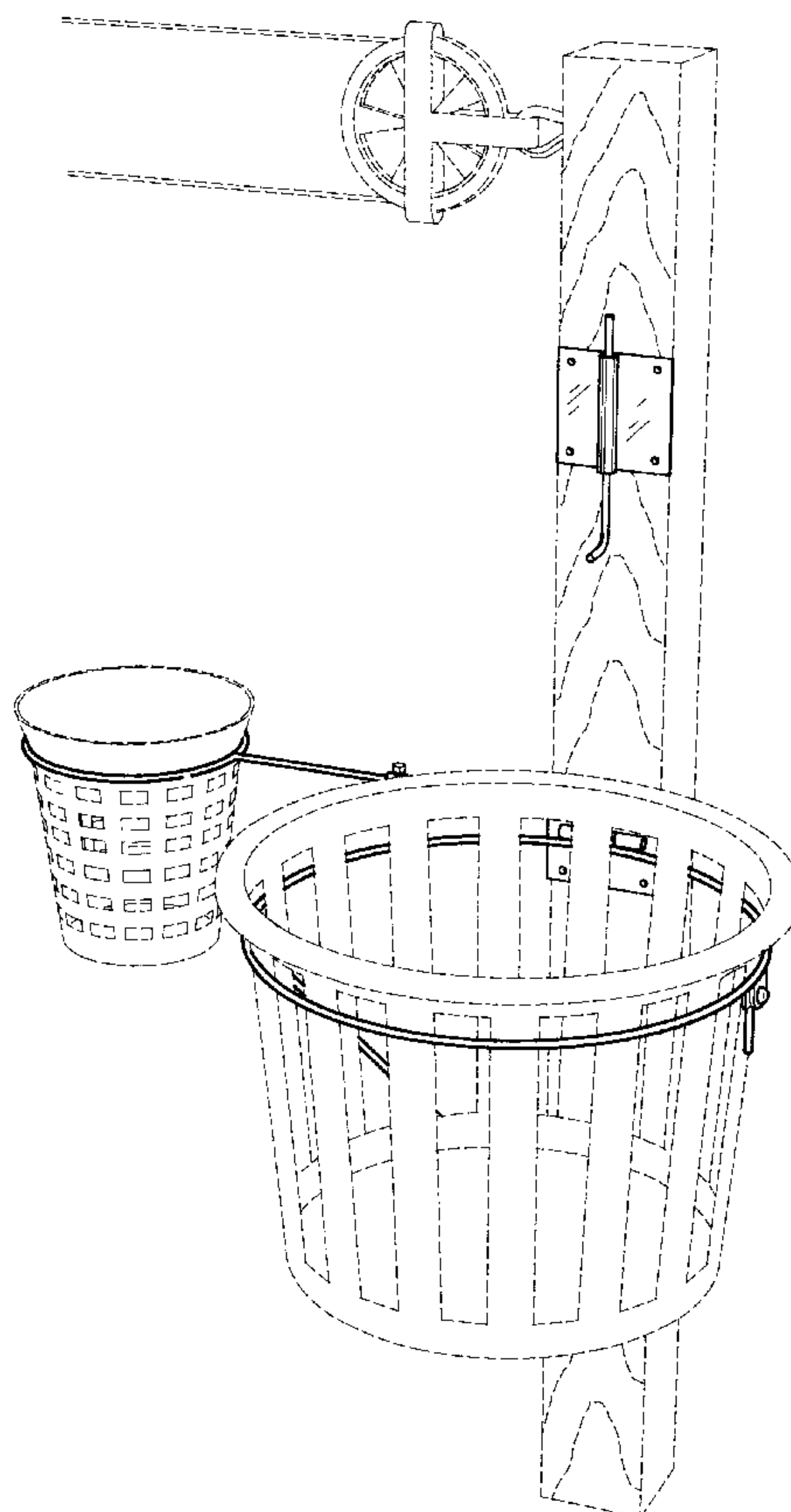
Primary Examiner—Brian N. Vinson
Attorney, Agent, or Firm—Mario D. Theriault

[57] CLAIM

The ornamental design for a holder for laundry basket and clothespin bucket, as shown and described.

FIG. 1 is a partial top, front and right side perspective view of a first variant of a holder for laundry basket and clothespin bucket, showing a first embodiment of my new design; FIG. 2 is a top, front and right side perspective view of the first variant of my design in which the laundry-basket-holder ring is circular in shape; FIG. 3 is a front view thereof; FIG. 4 is a right side view thereof; FIG. 5 is a reduced top plan view thereof; FIG. 6 is a left side view thereof; FIG. 7 is a top, front and right side perspective view thereof showing the laundry-basket-holder ring in a raised position; FIG. 8 is a right side view of a second variant of the design wherein the mounting accessories thereof have bolt-like elements; FIG. 9 is a top plan view of a third variant of the design in which the laundry-basket-holder ring is elliptical in shape; FIG. 10 is a top plan view of a fourth variant of the design in which the laundry-basket-holder ring is rectangular in shape; and, FIG. 11 is a top plan view of a fifth variant of the design in which the laundry-basket-holder ring is square in shape. The broken-line disclosure of a laundry basket and of a clothespin bucket in FIG. 1, and the broken-line disclosure of a post in FIGS. 1-11 is for illustrative purposes only and form no part of the claimed design.

1 Claim, 8 Drawing Sheets



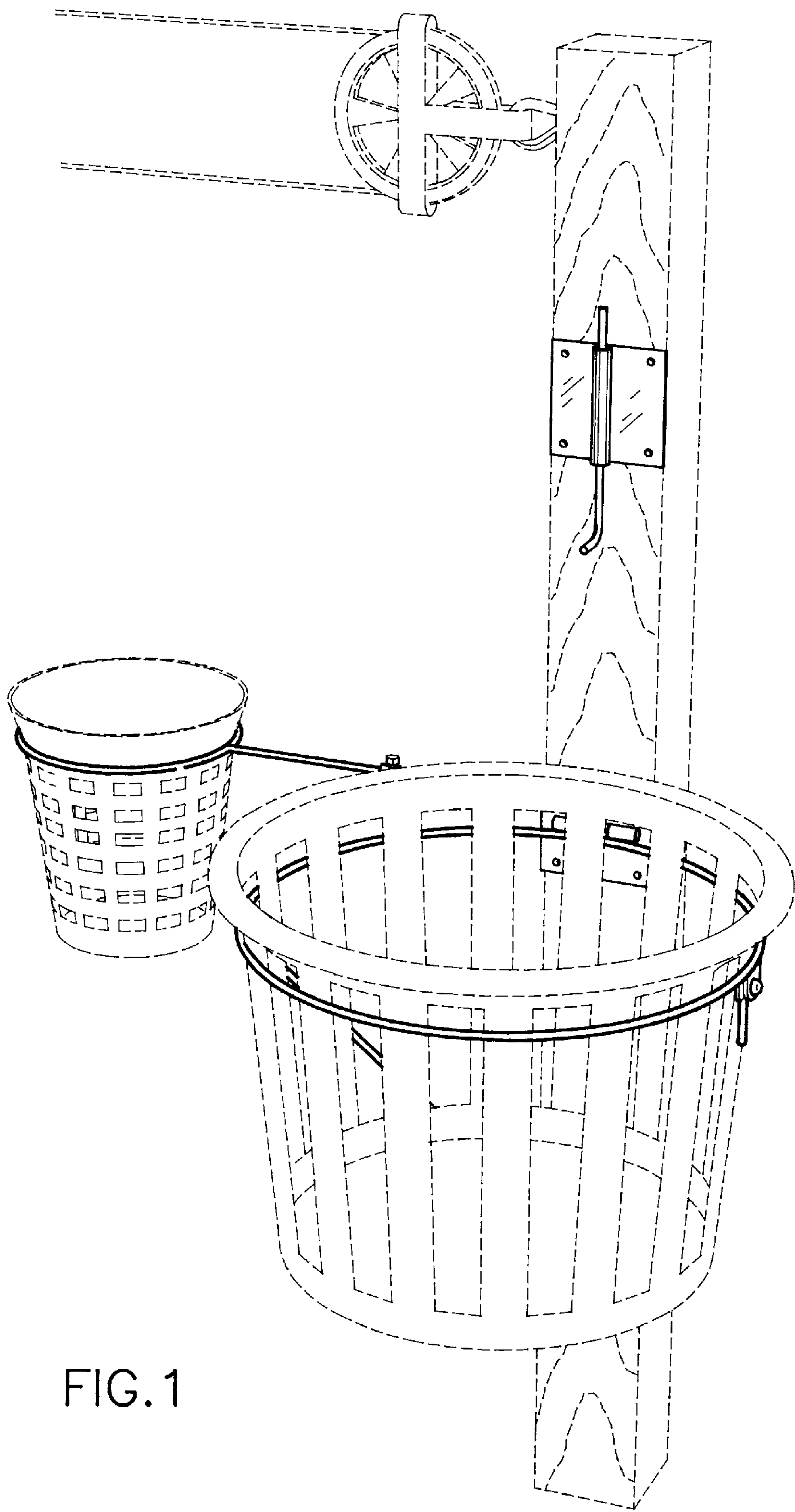


FIG. 1

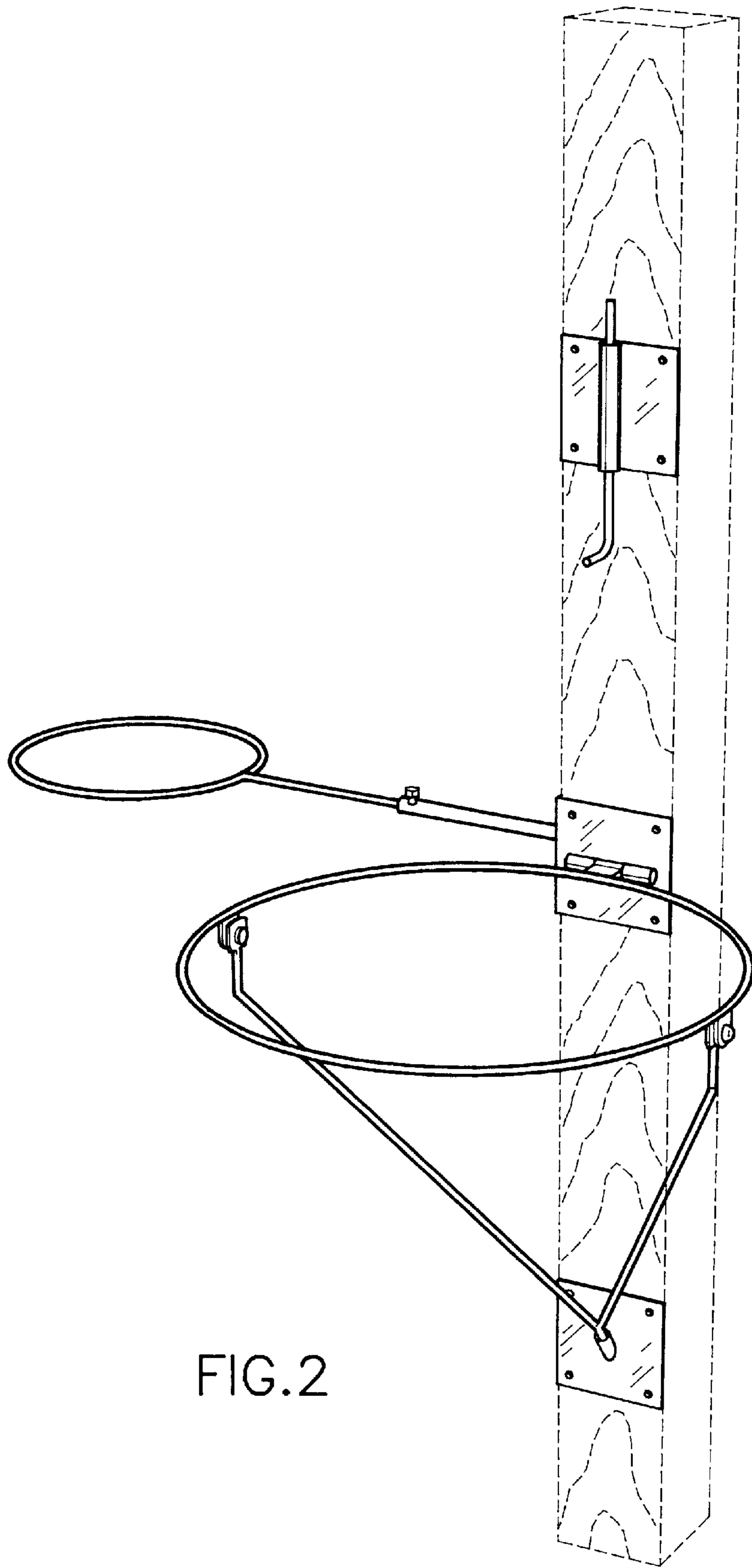


FIG.2

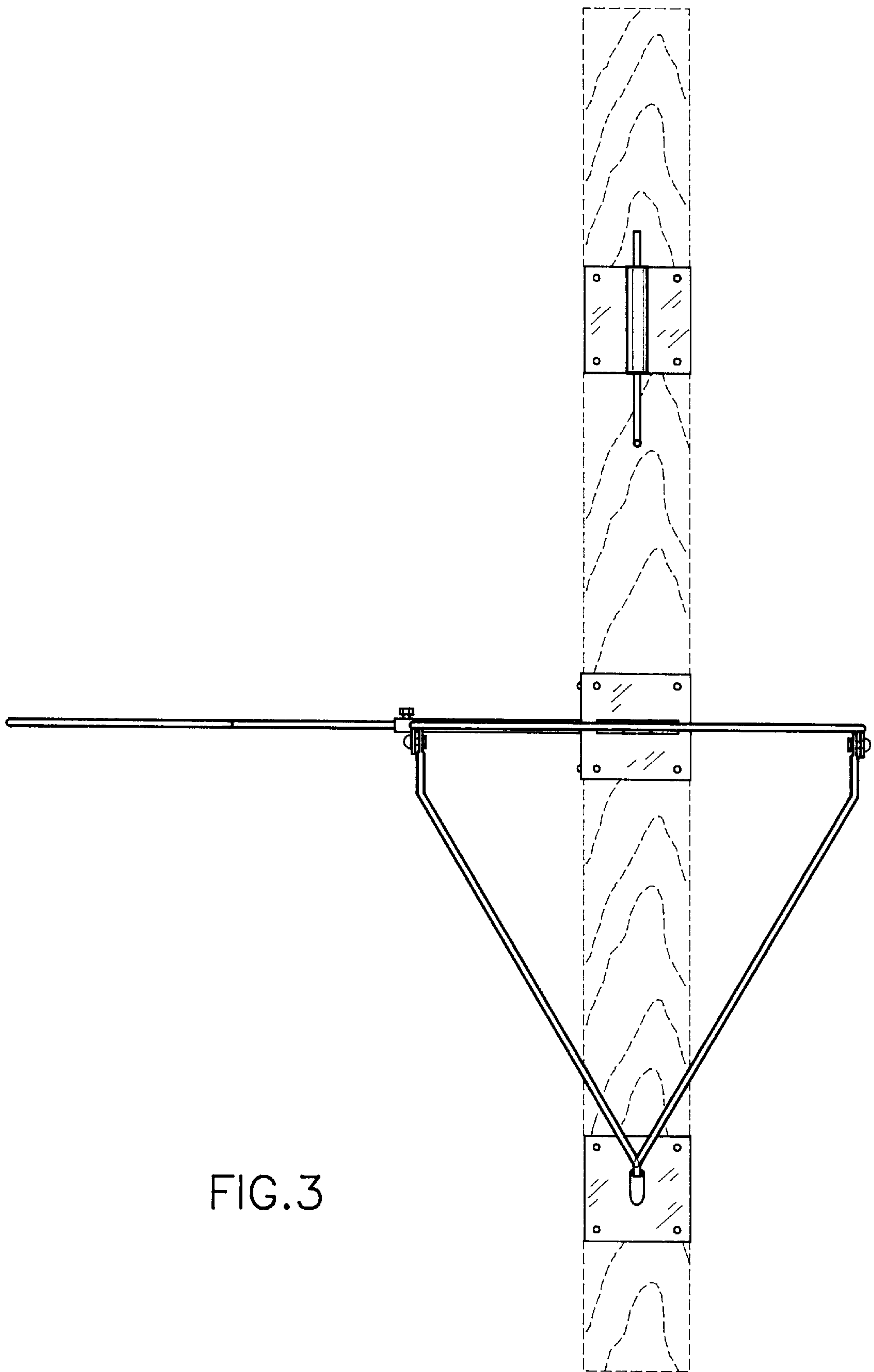


FIG. 3

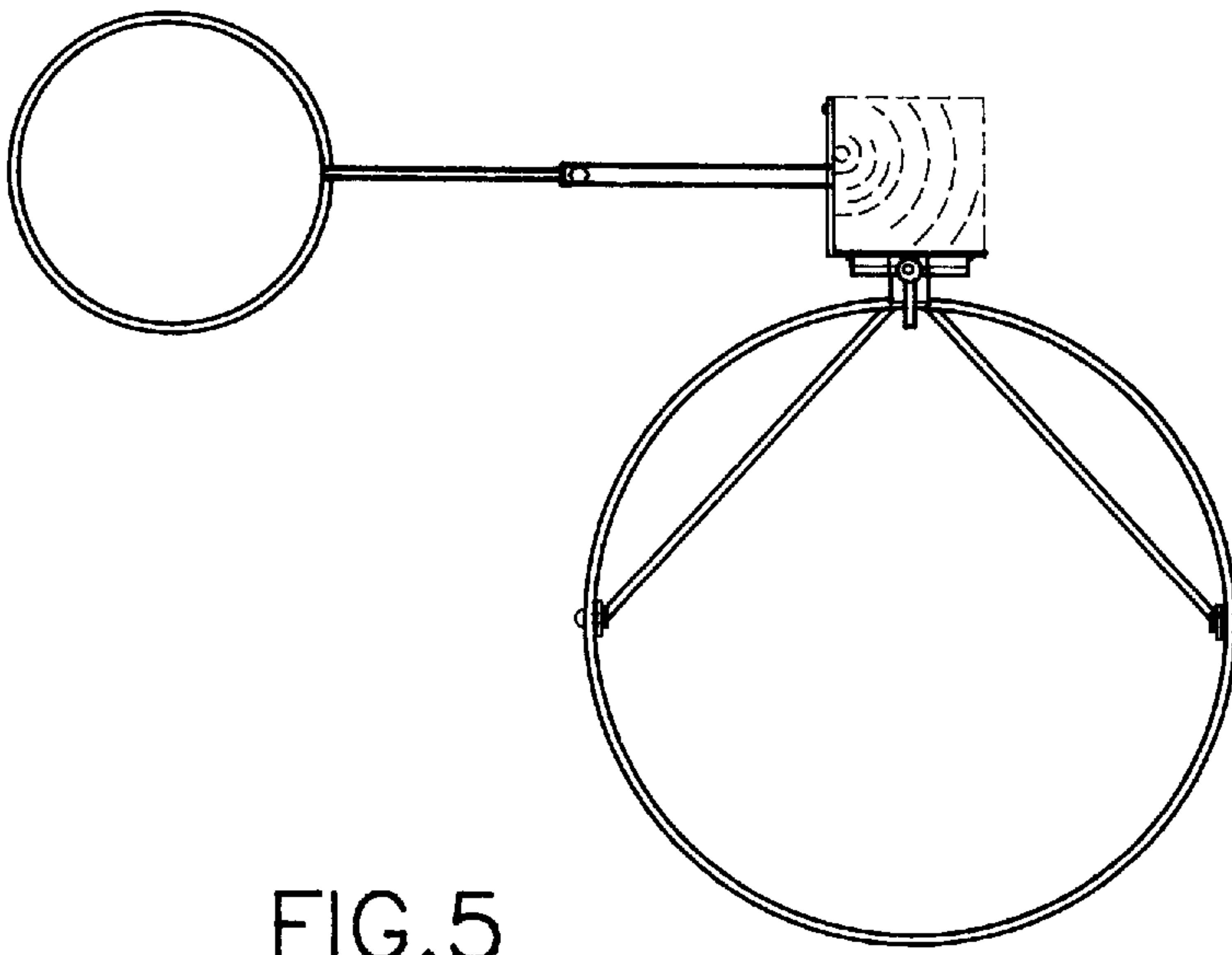


FIG.5

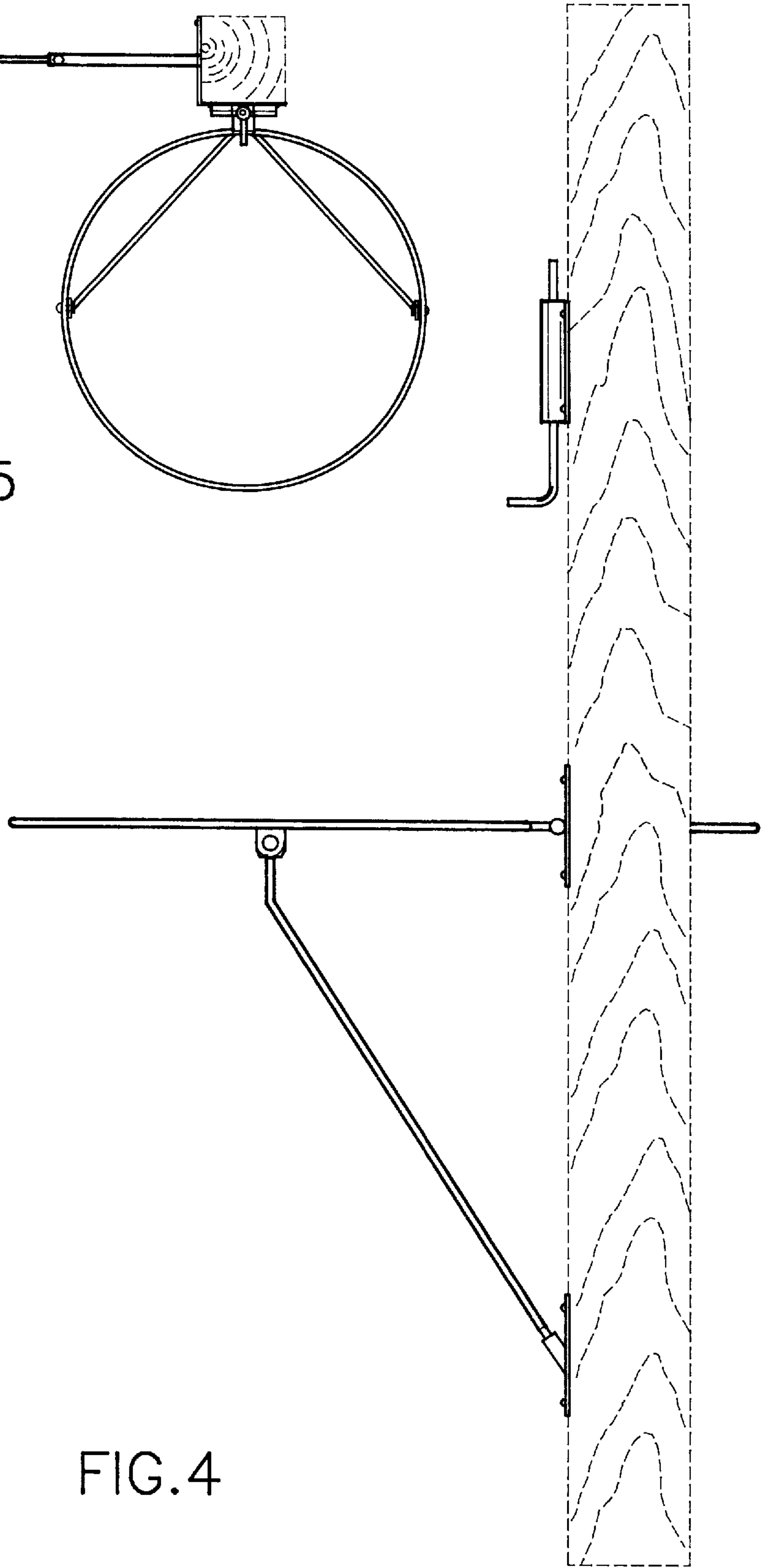


FIG.4

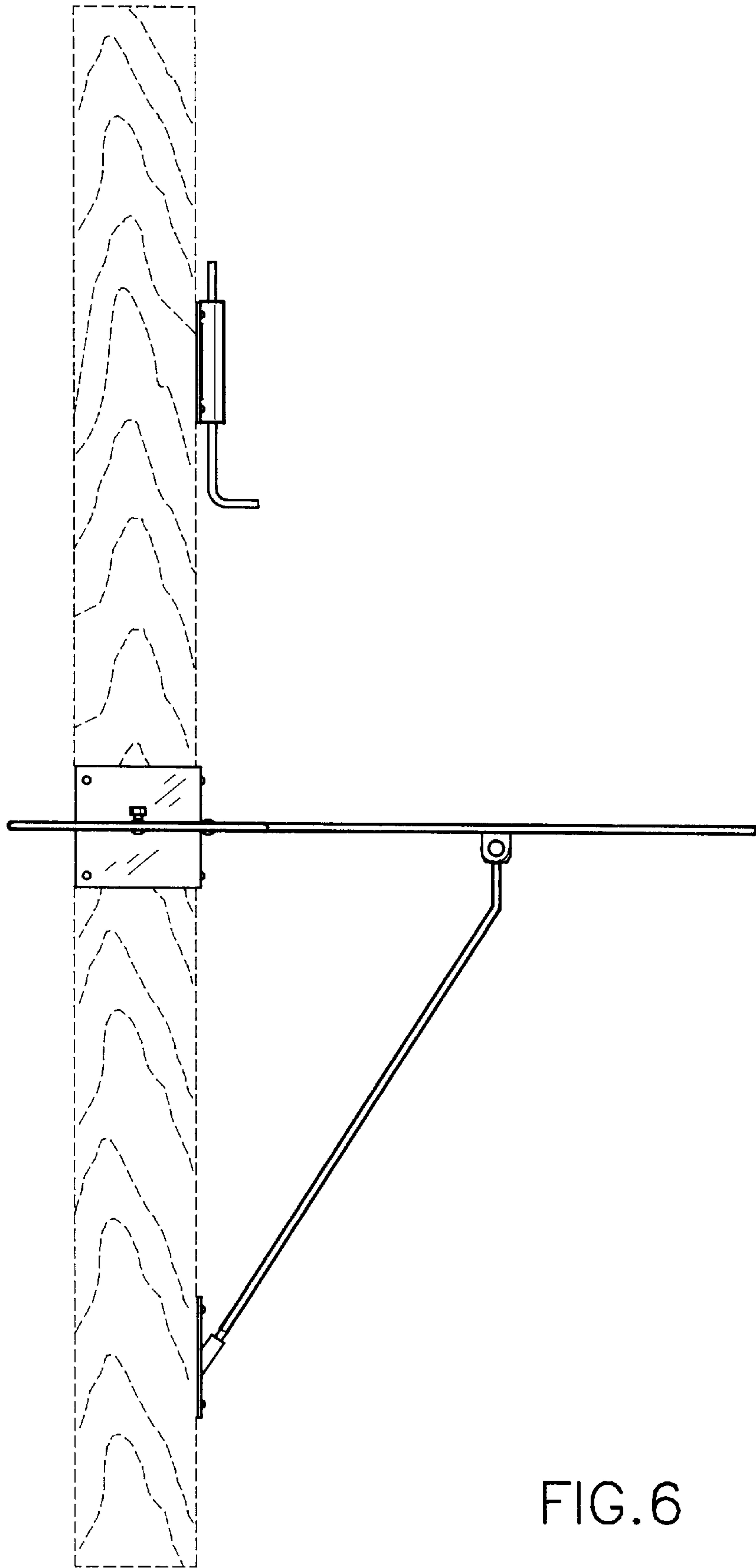


FIG.6

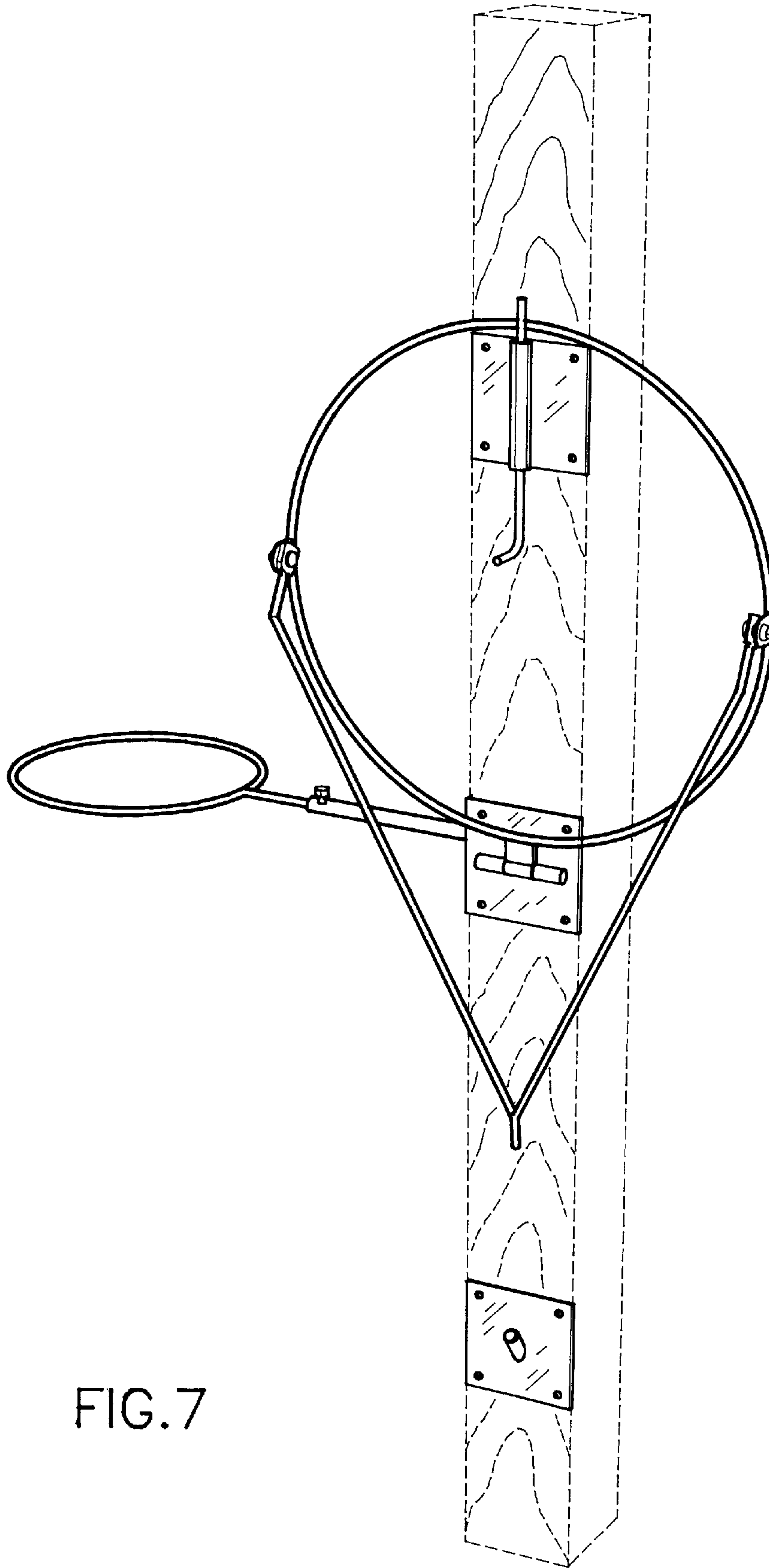


FIG. 7

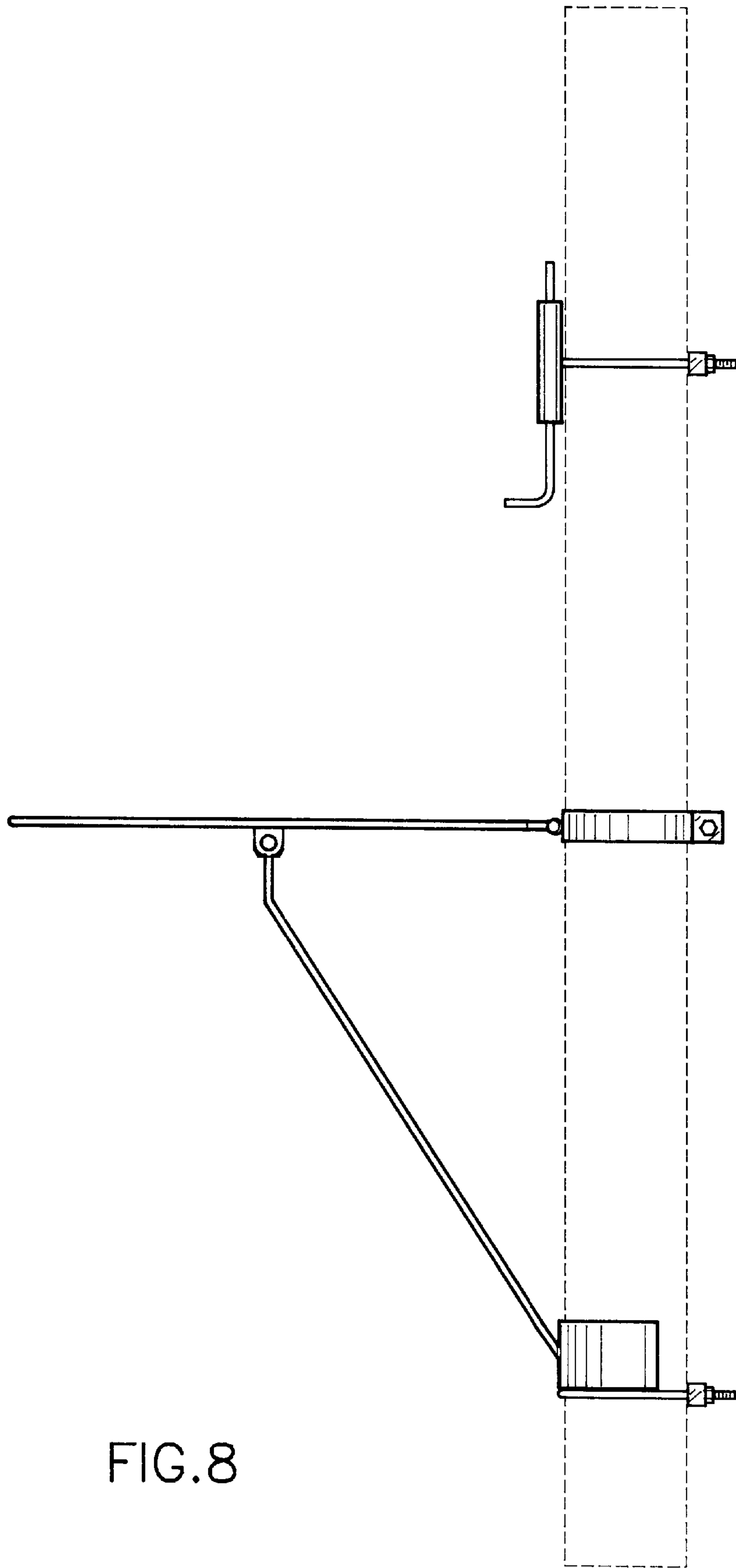


FIG. 8

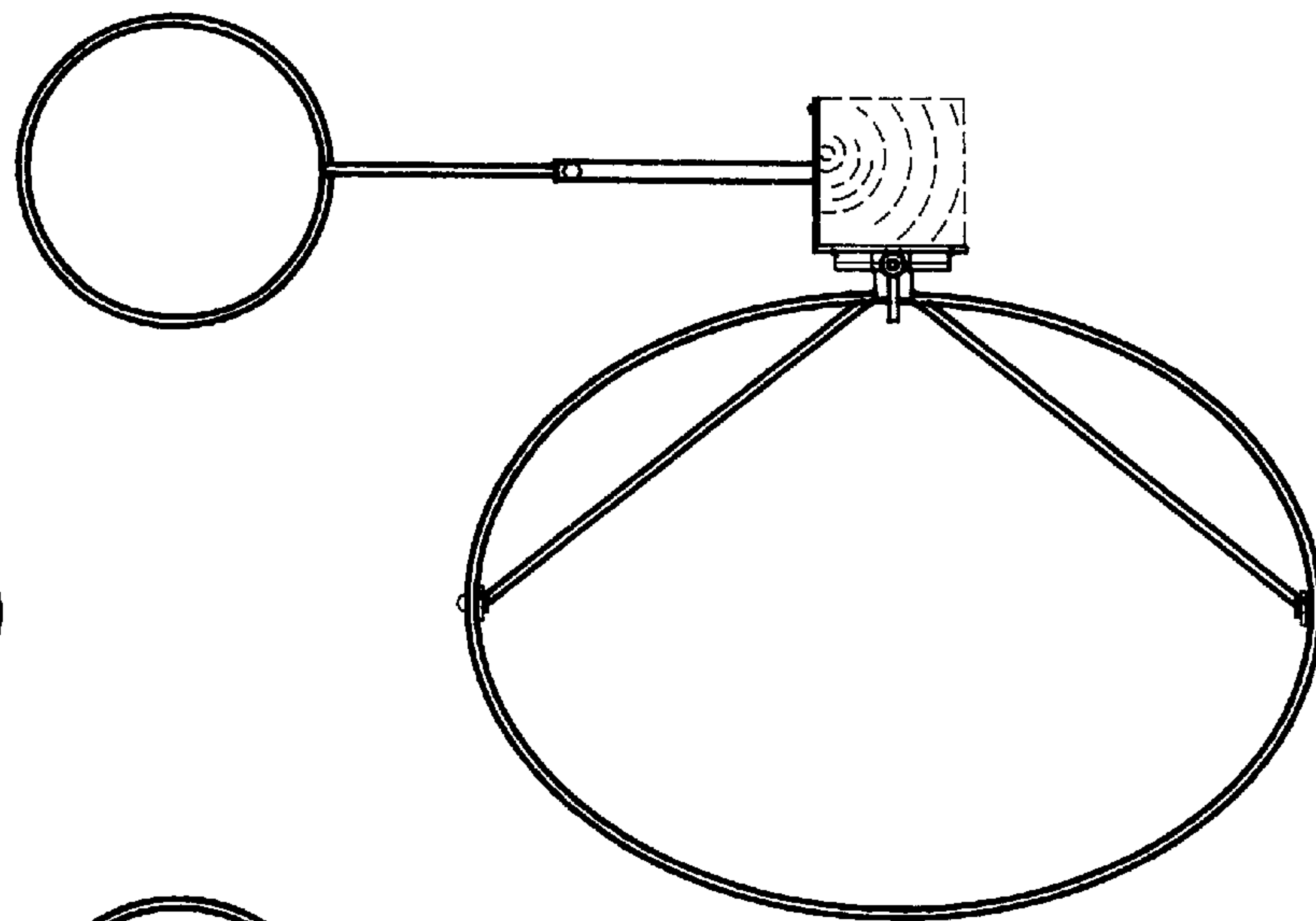


FIG. 9

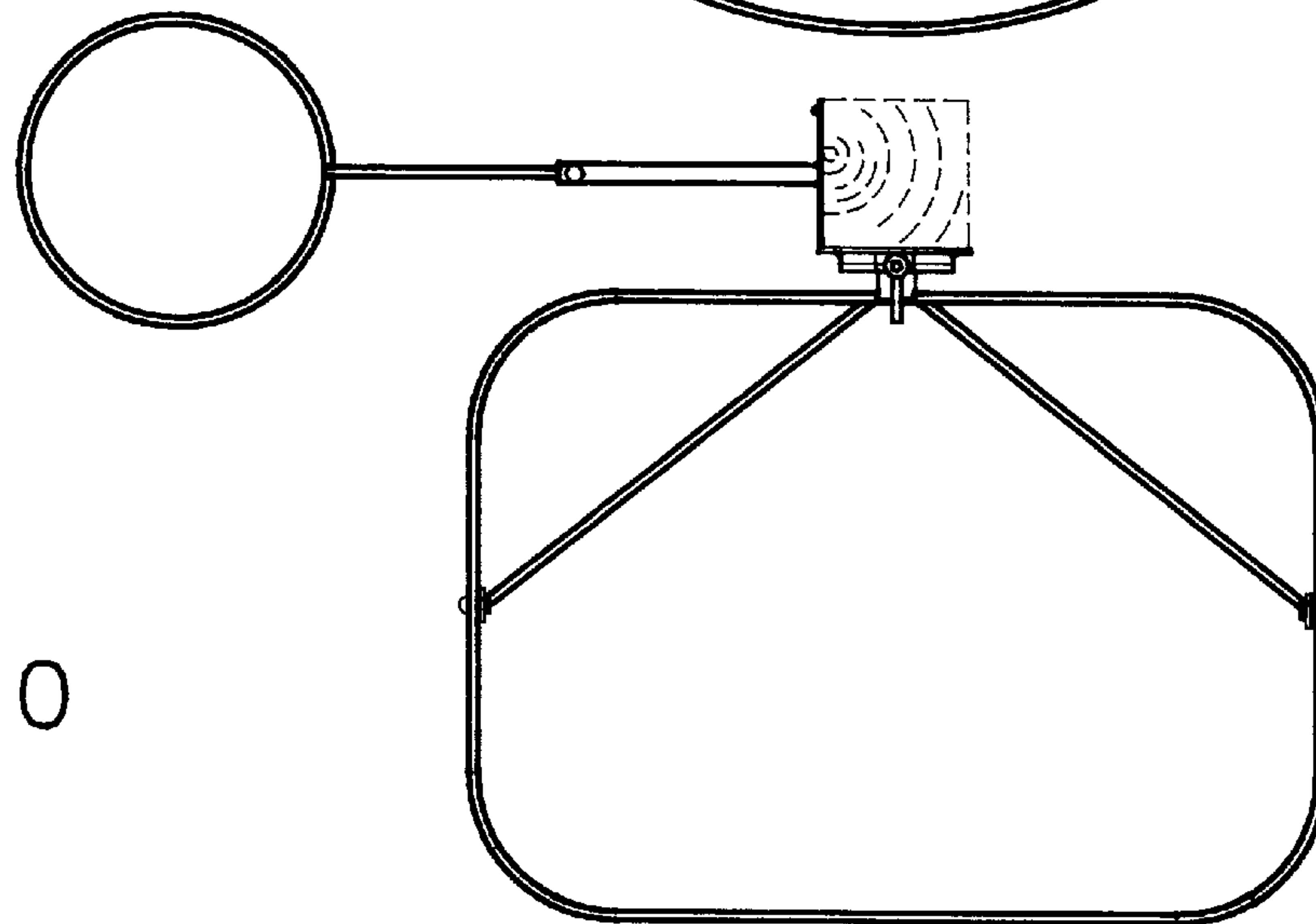


FIG. 10

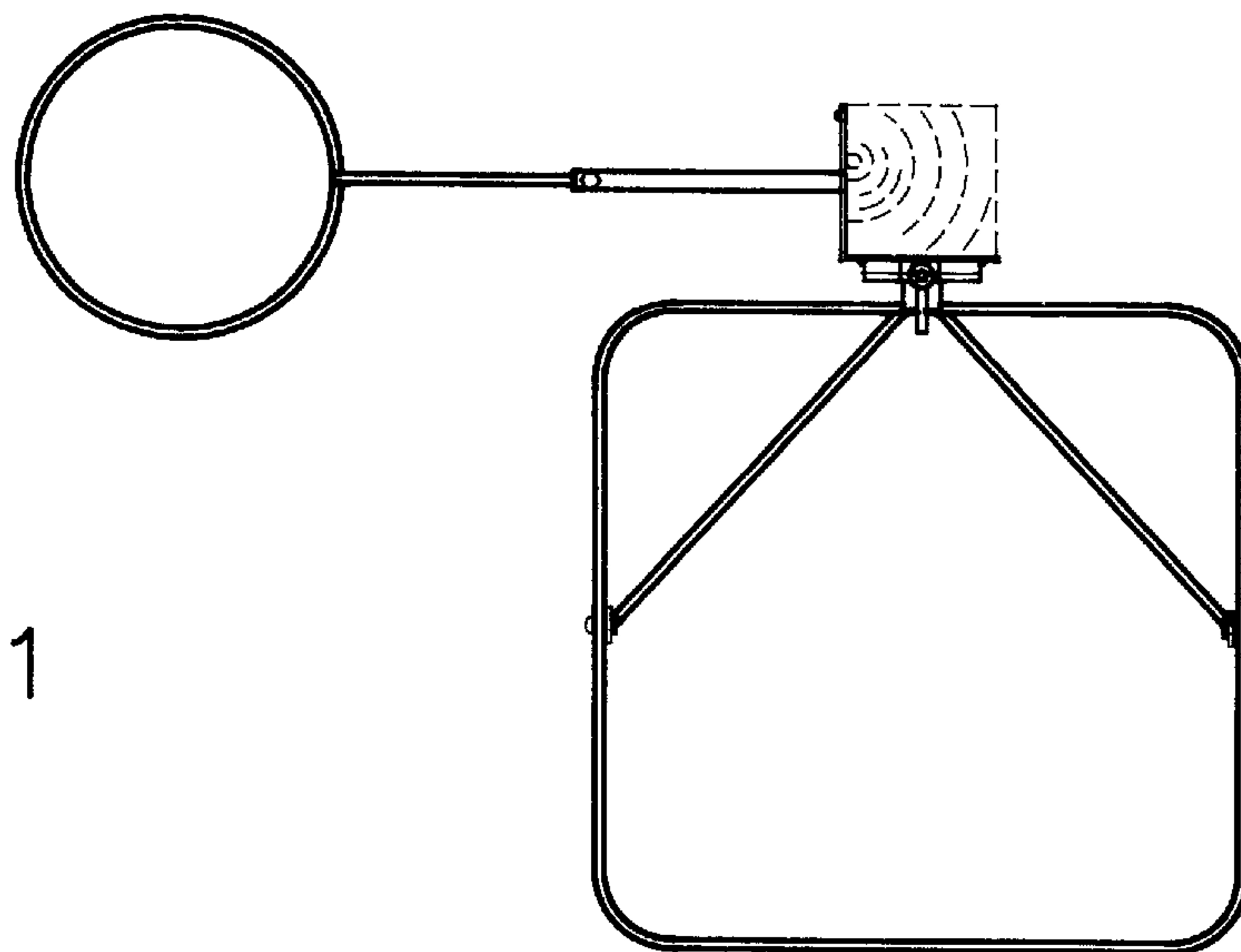


FIG. 11