



US00D419811S

United States Patent [19]
Schoeman

[11] **Patent Number: Des. 419,811**
[45] **Date of Patent: ** Feb. 1, 2000**

[54] **MEDICINE CABINET**

D. 383,937 9/1997 Myers D6/559
D. 397,895 9/1998 Chen D6/561

[76] Inventor: **Sonia Schoeman**, 3815 48th Ave. S.,
St. Petersburg, Fla. 33711

Primary Examiner—Brian N. Vinson
Attorney, Agent, or Firm—David Kiewit

[**] Term: **14 Years**

[57] **CLAIM**

[21] Appl. No.: **29/102,859**

The ornamental design for a medicine cabinet, as shown.

[22] Filed: **Apr. 2, 1999**

DESCRIPTION

[51] **LOC (7) Cl.** **08-08**

FIG. 1 is a perspective view of a medicine cabinet showing my new design.

[52] **U.S. Cl.** **D6/561**

FIG. 2 is a front elevational view thereof.

[58] **Field of Search** D6/561, 559; 312/34.1,
312/344, 224, 277, 242, 245; 211/123

FIG. 3 is a rear elevational view thereof.

[56] **References Cited**

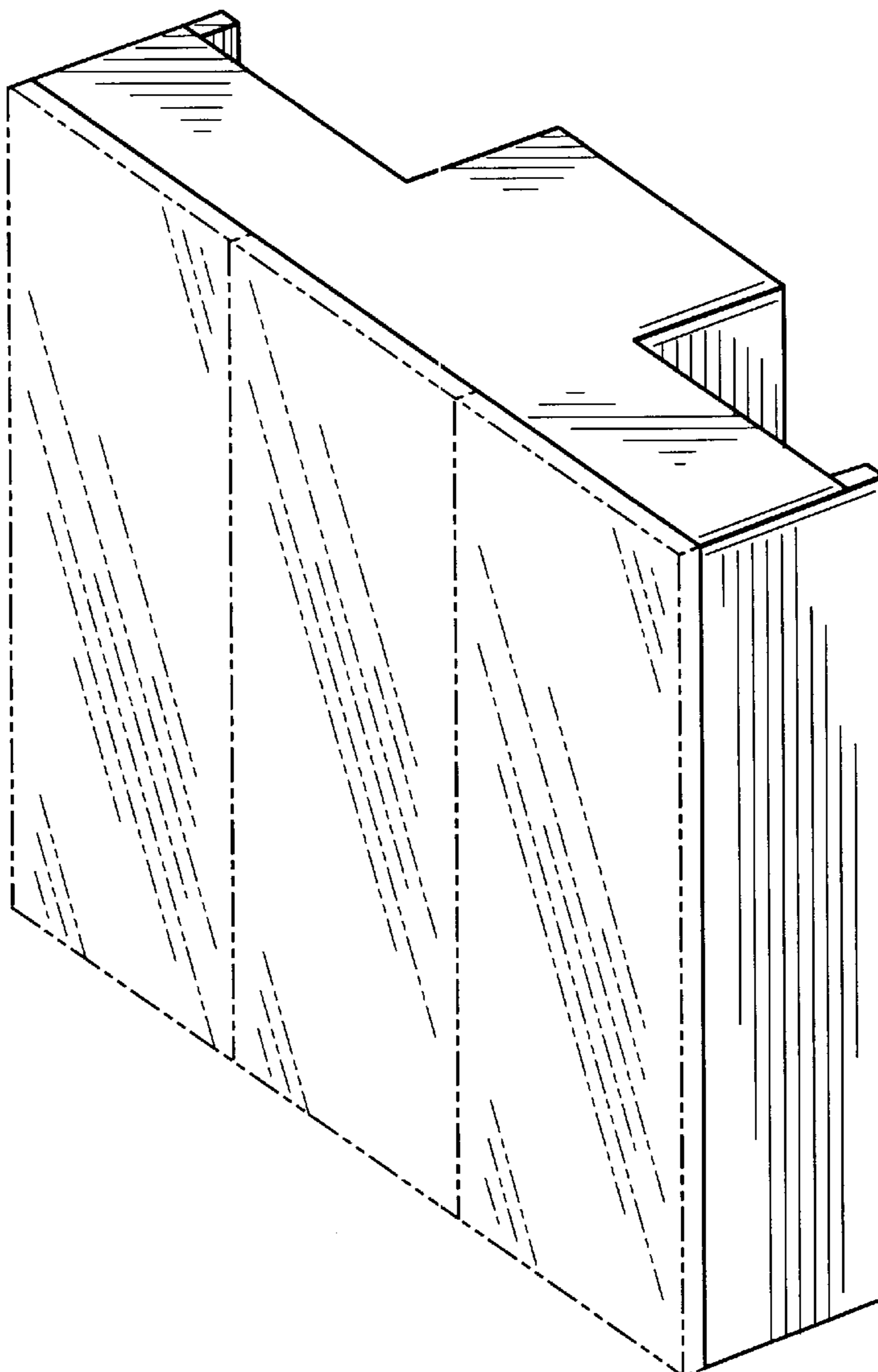
FIG. 4 is a top plan view thereof, the bottom view being a mirror image of the top plan view; and,

U.S. PATENT DOCUMENTS

FIG. 5 is a right side elevational view thereof, the left side view being a mirror image of the right side view.

- D. 243,491 3/1977 Vrignaud D6/561
- D. 280,877 10/1985 Chabanet D6/561
- D. 313,719 1/1991 Bressler et al. D6/561

1 Claim, 3 Drawing Sheets



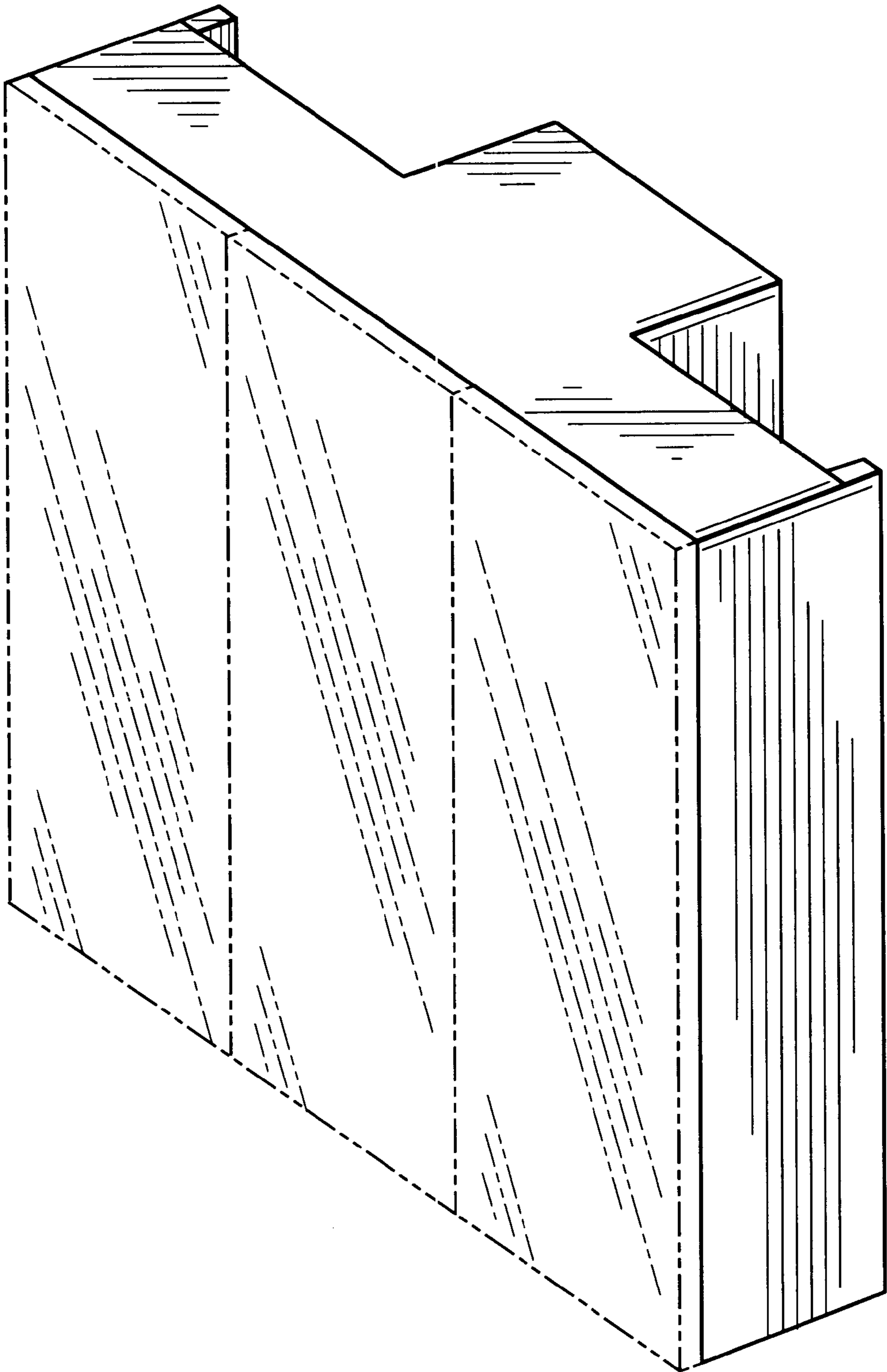


FIG. 1

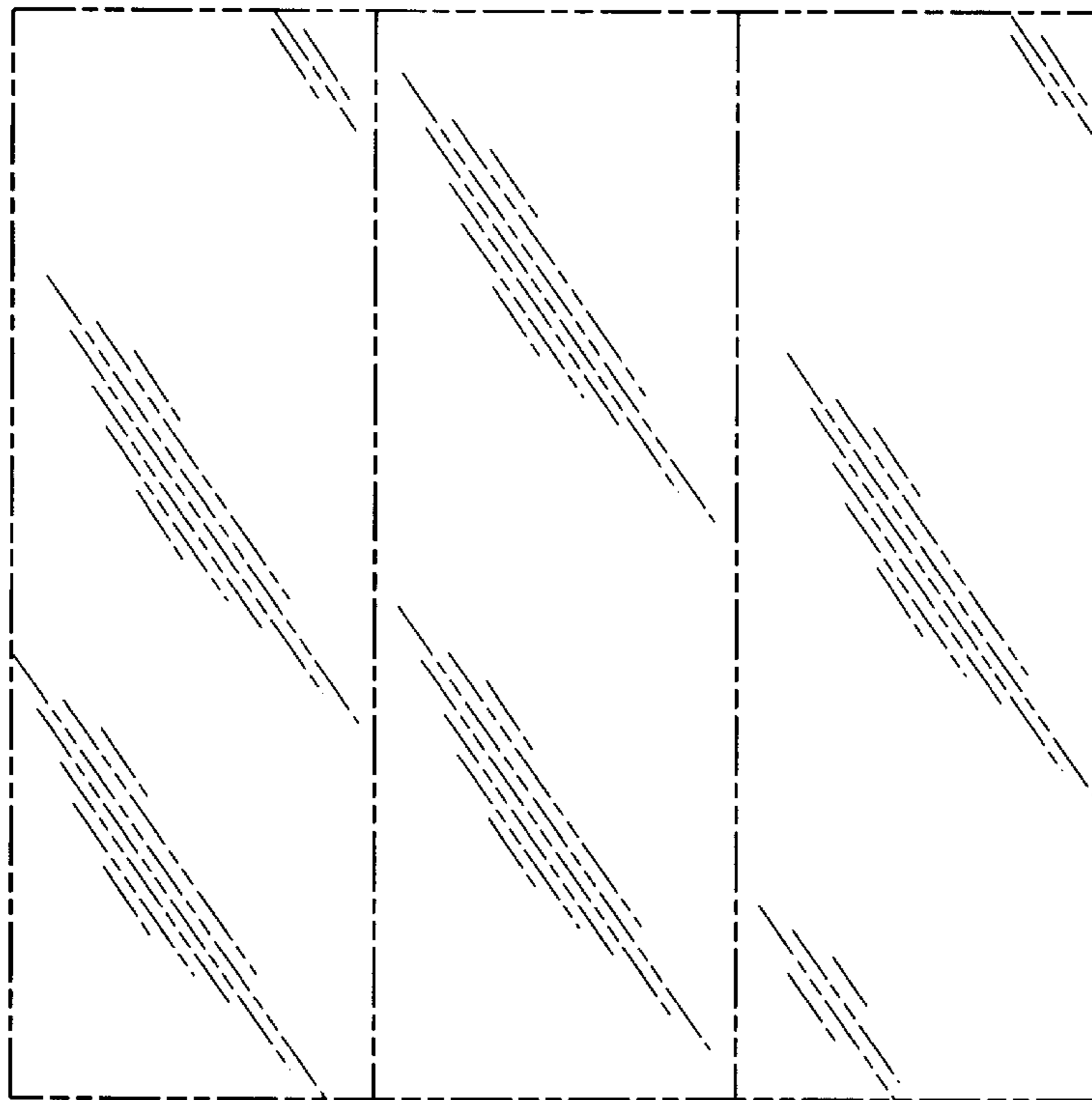


FIG. 2

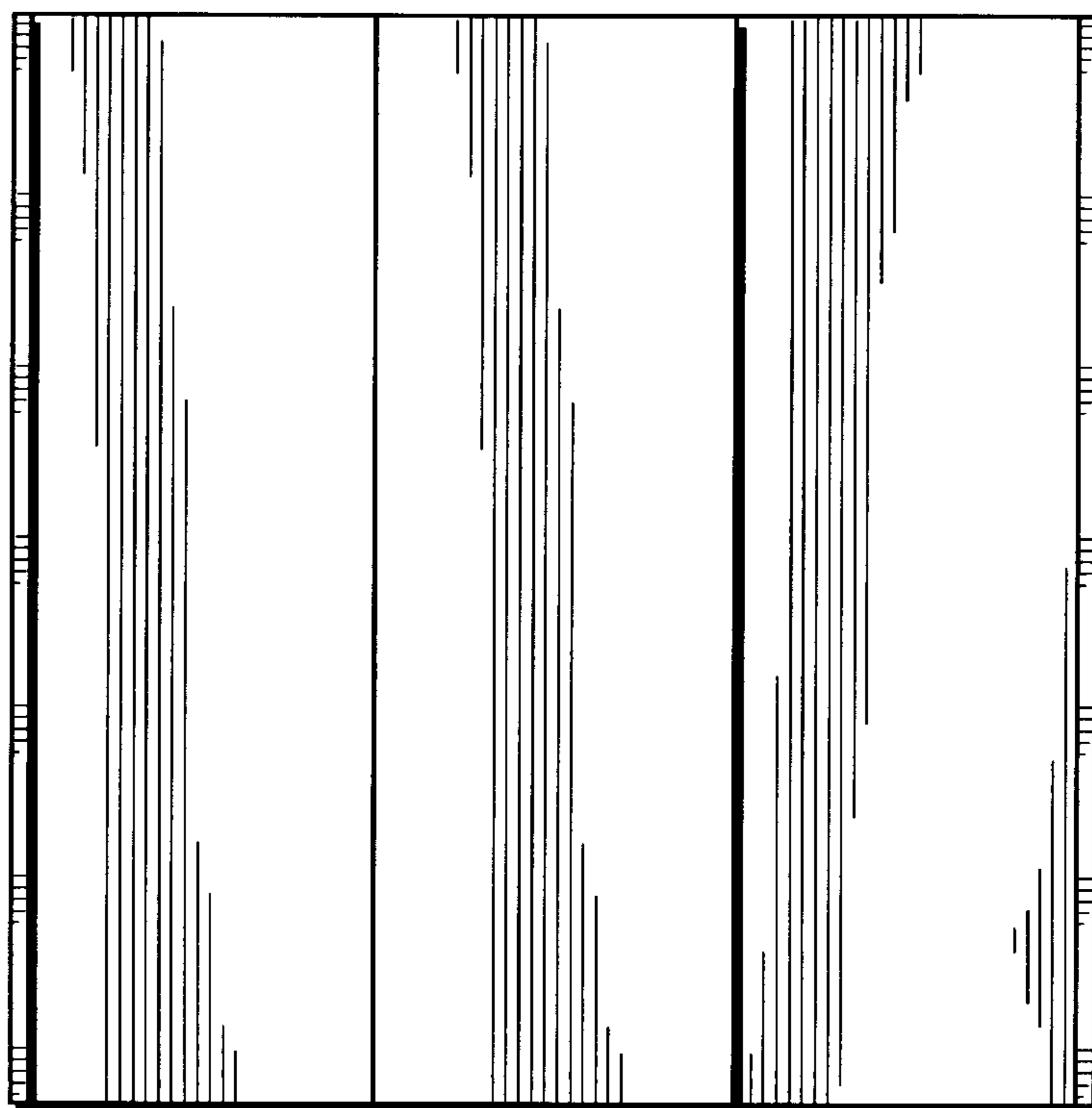


FIG. 3

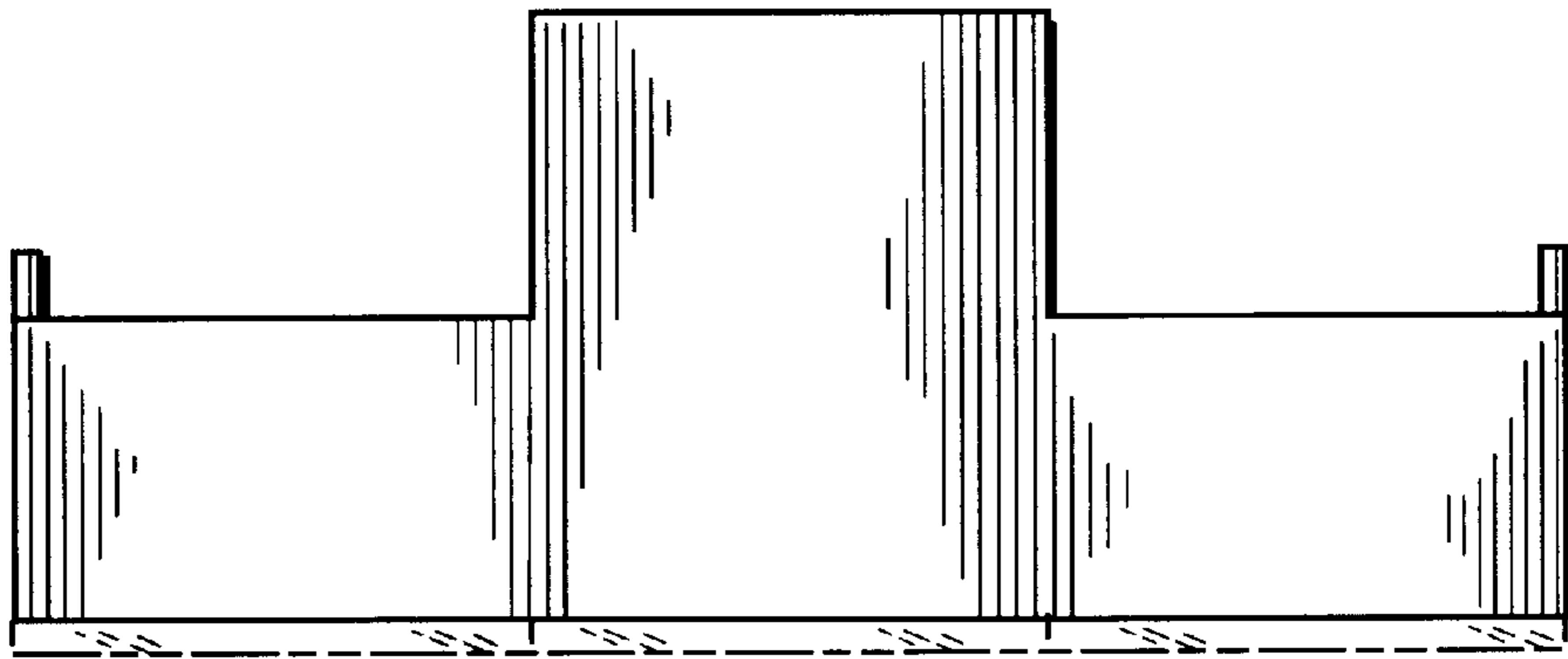


FIG. 4

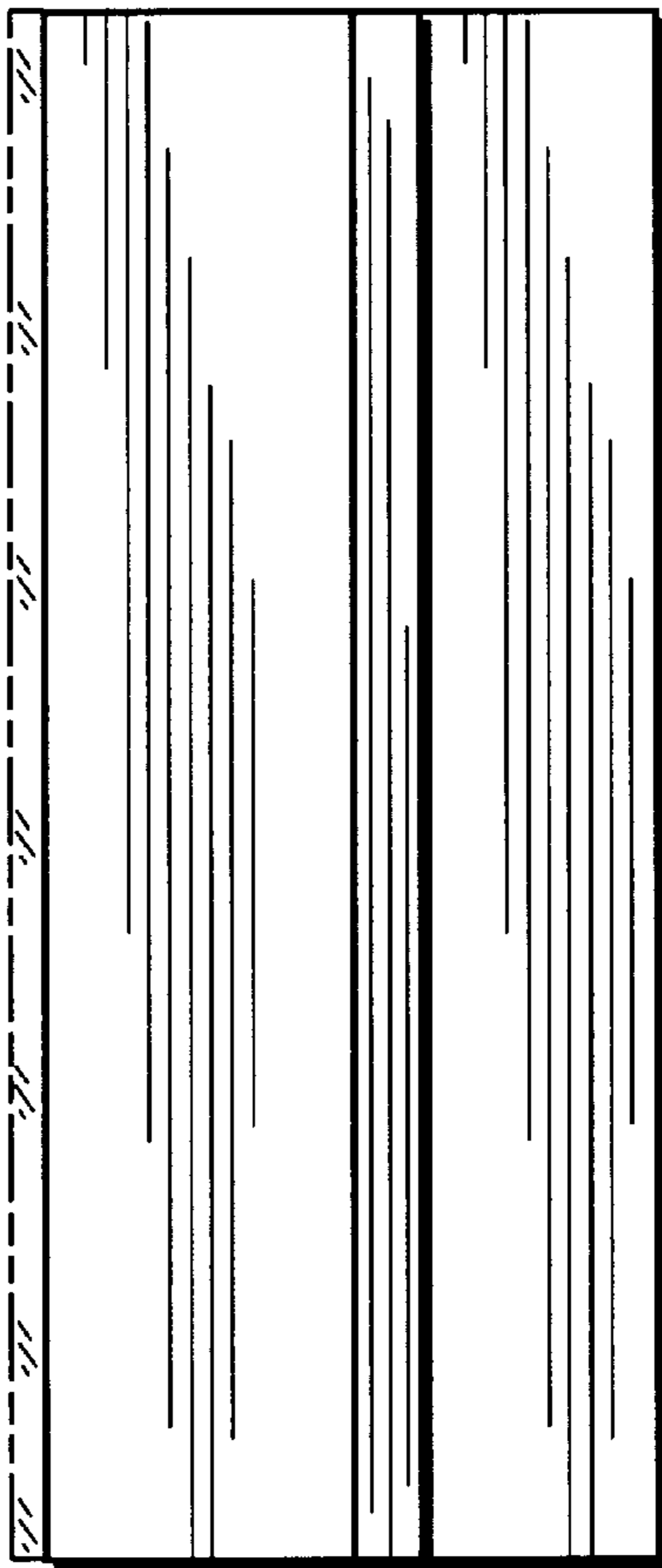


FIG. 5