



US00D419810S

United States Patent [19] John

[11] **Patent Number: Des. 419,810**

[45] **Date of Patent: ** Feb. 1, 2000**

[54] **WALL MOUNTED PLANT HOLDER**

5,423,504 6/1995 Shenkar 248/201
5,630,293 5/1997 Hicks, Sr. 47/70

[76] Inventor: **Douglas John**, 200-14 115th Ave., St. Albans, N.Y. 11412

Primary Examiner—Brian N. Vinson
Attorney, Agent, or Firm—Goldstein & Canino

[**] Term: **14 Years**

[57] **CLAIM**

[21] Appl. No.: **29/102,773**

The ornamental design for a wall mounted plant holder, as shown and described.

[22] Filed: **Mar. 31, 1999**

DESCRIPTION

[51] **LOC (7) Cl.** **08-08**

[52] **U.S. Cl.** **D6/556**

[58] **Field of Search** D6/556, 552, 553,
D6/567, 566, 512-514; 248/95, 96, 302,
309.1, 311.2, 311.3, 312.1, 324

FIG. 1 is a diagrammatic perspective view of the wall mounted plant holder.

FIG. 2 is a rear elevational view thereof.

FIG. 3 is a front elevational view thereof.

FIG. 4 is a top plan view thereof.

FIG. 5 is a bottom plan view thereof.

FIG. 6 is a right side elevational view of the wall mounted plant holder; and,

FIG. 7 is a left side elevational view thereof.

[56] **References Cited**

U.S. PATENT DOCUMENTS

D. 164,970 10/1951 Strandell 35/3
1,922,935 8/1933 Du Bois 248/312.1 X
4,757,641 7/1988 Penrod 248/312.1 X

1 Claim, 5 Drawing Sheets

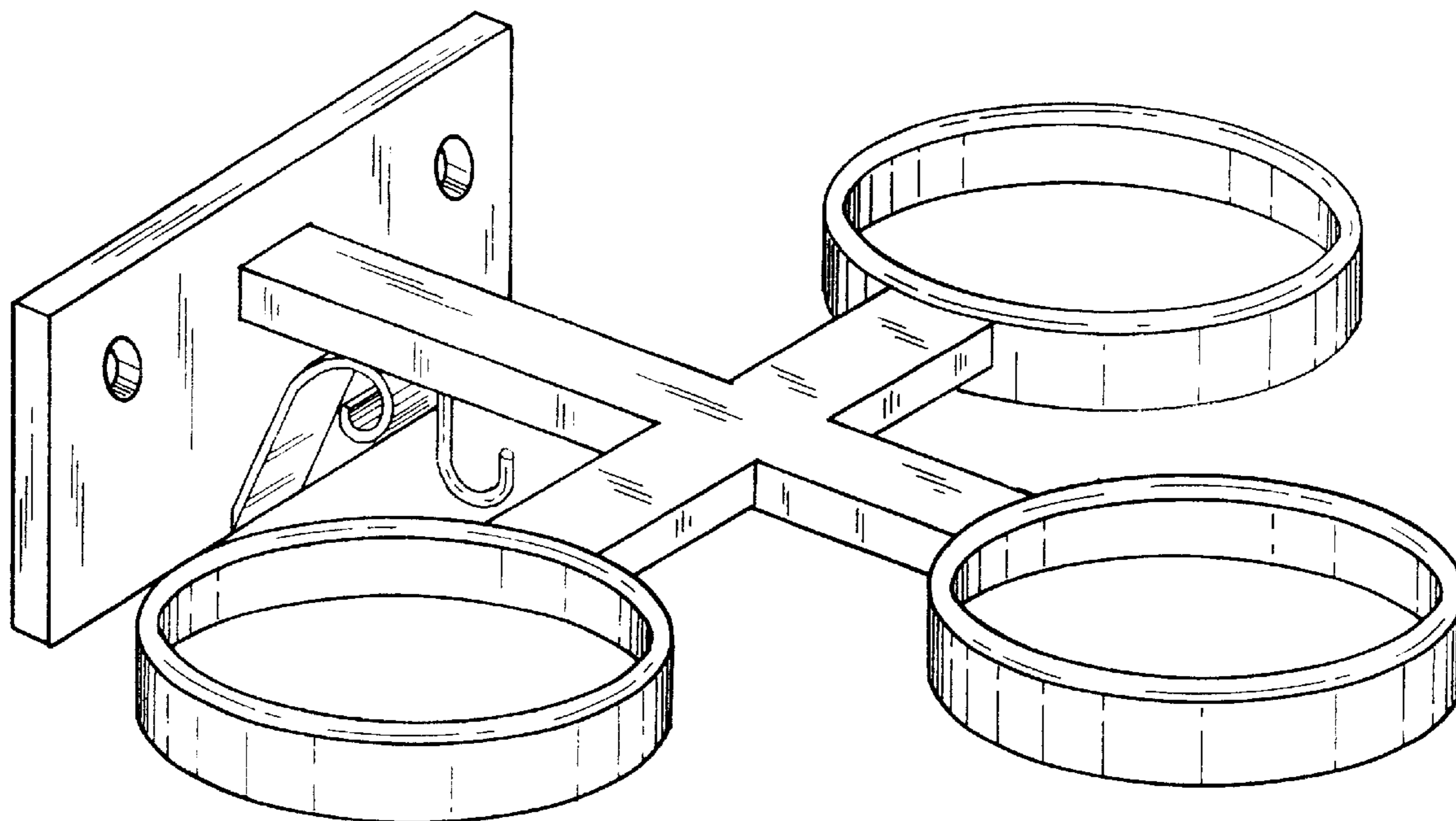


FIG. 1

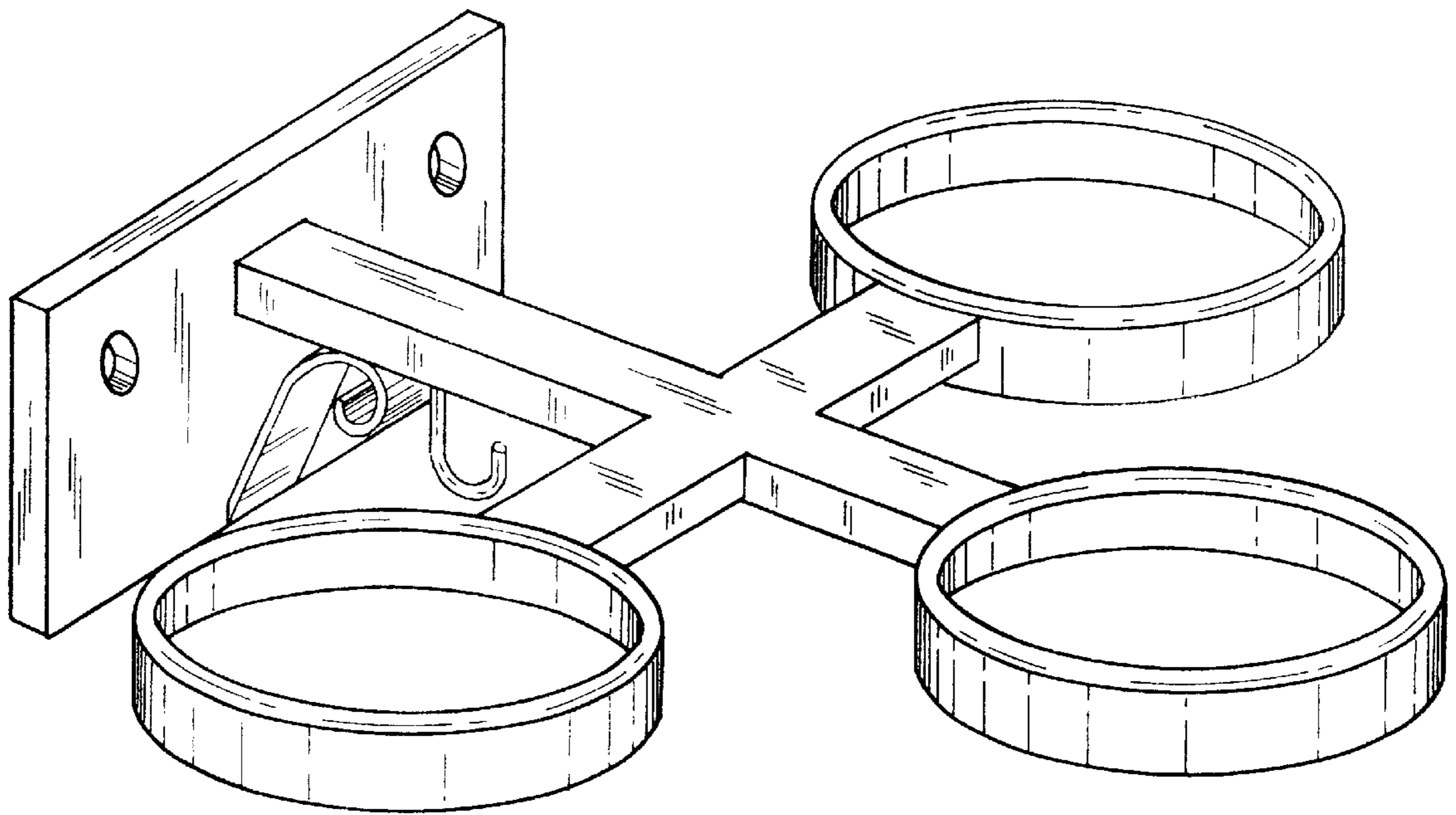


FIG. 2

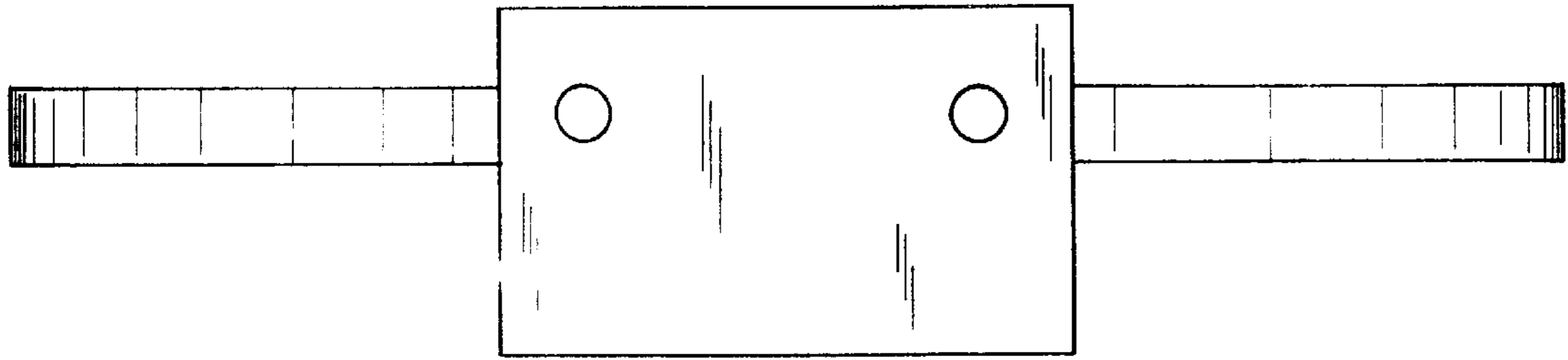


FIG. 3

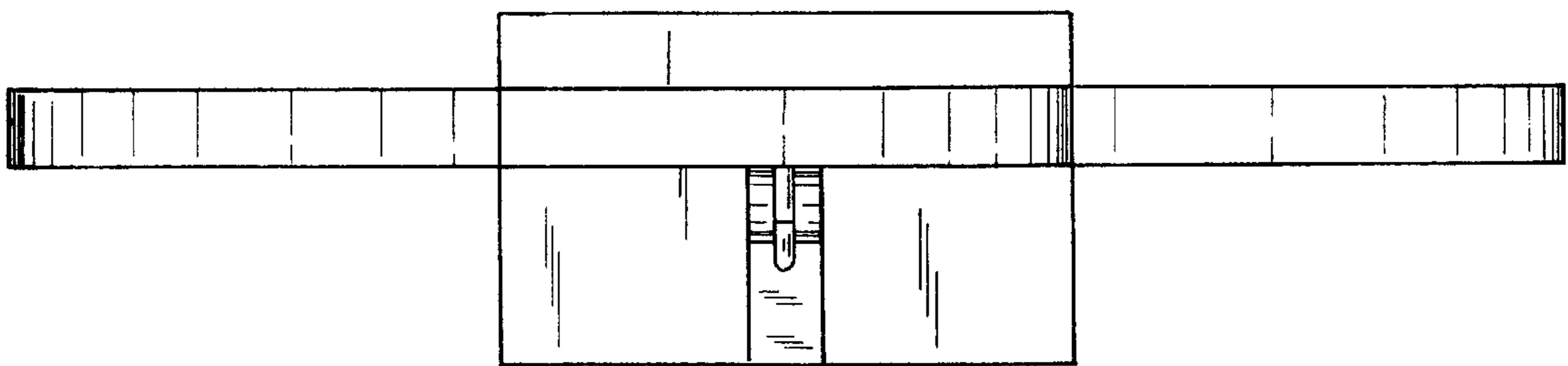


FIG. 4

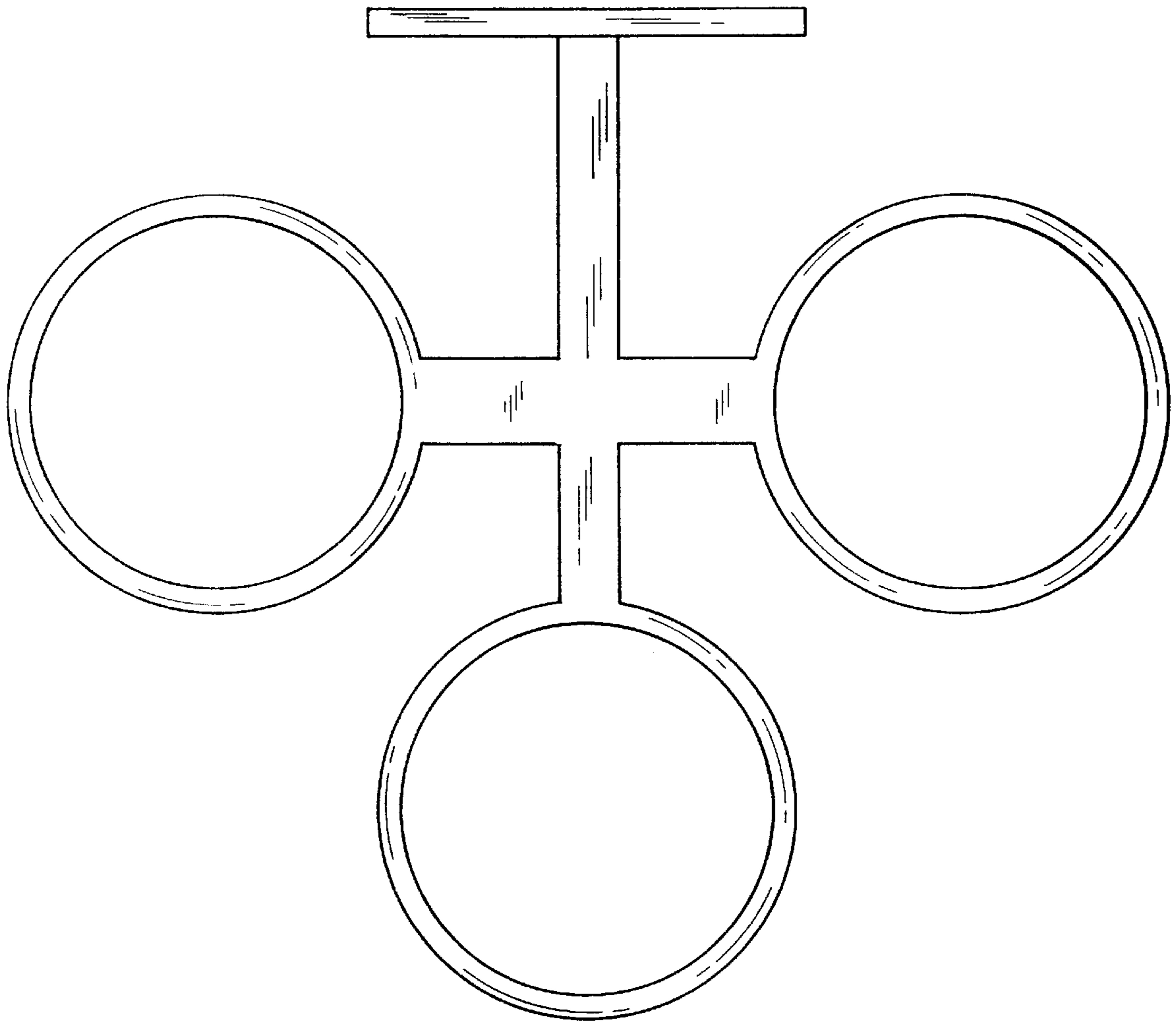


FIG. 5

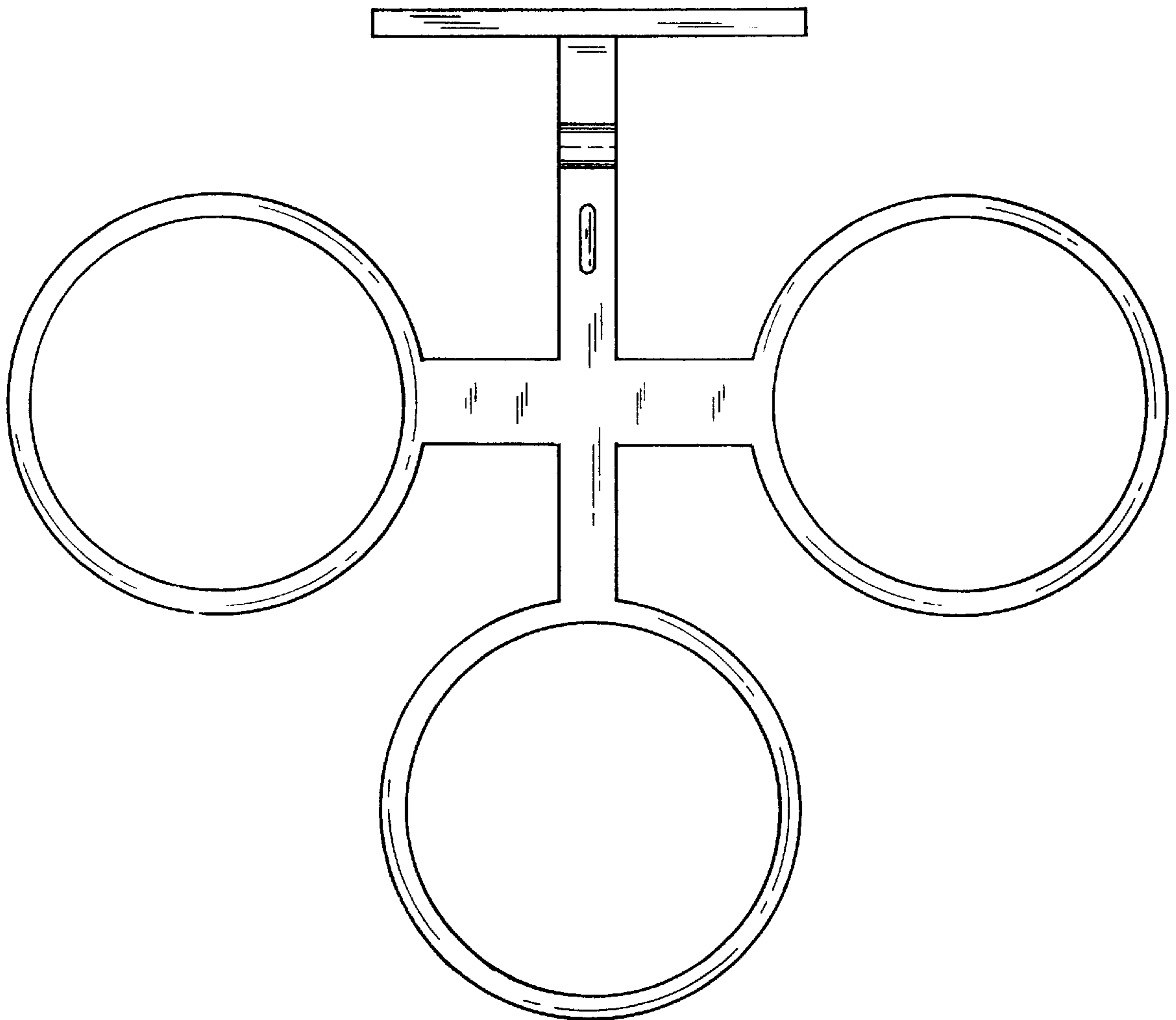


FIG. 6

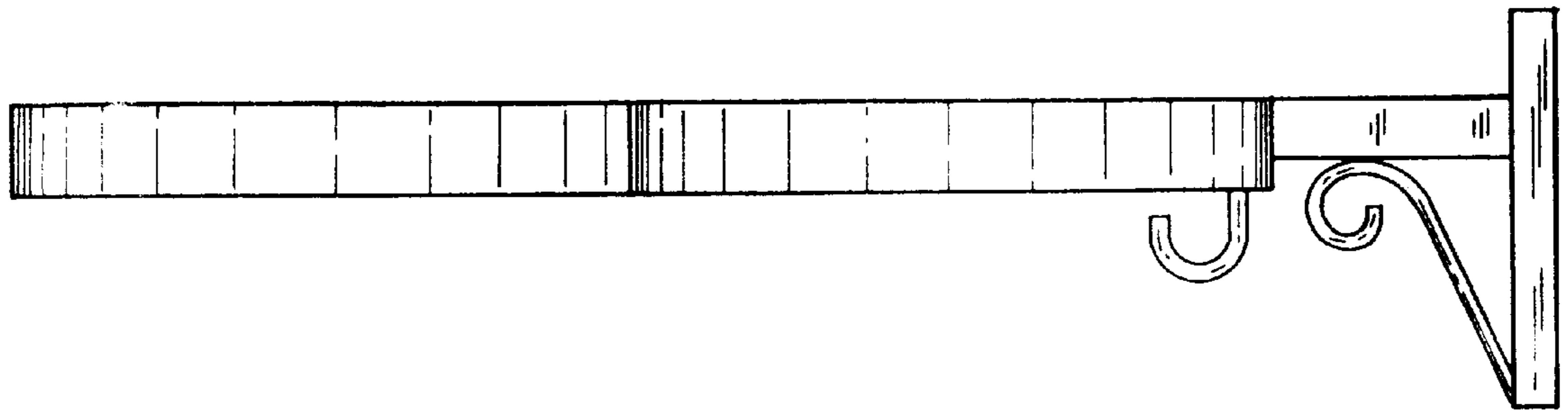


FIG. 7

